



US00D629409S

(12) **United States Design Patent**
Lo

(10) **Patent No.:** **US D629,409 S**

(45) **Date of Patent:** **** Dec. 21, 2010**

(54) **USB FLASH DISK**

(75) **Inventor:** **Yu-Nan Lo**, Daya Township, Taichung County (TW)

(73) **Assignee:** **Kingston Digital Far East, Inc.**, Hsinchu (TW)

(**) **Term:** **14 Years**

(21) **Appl. No.:** **29/355,687**

(22) **Filed:** **Feb. 11, 2010**

(51) **LOC (9) Cl.** **14-02**

(52) **U.S. Cl.** **D14/480.7**

(58) **Field of Classification Search** D14/411,
D14/433, 435.1, 436, 480.1–480.7, 484.1,
D14/137, 155, 167, 168, 203.1–203.8, 240,
D14/242, 299; D3/201, 273; D13/107, 108,
D13/149, 184; 710/300, 301; 439/131, 135–147
See application file for complete search history.

(56) **References Cited**

U.S. PATENT DOCUMENTS

D237,893	S	*	12/1975	Wennerstrom	D14/137
6,456,500	B1	*	9/2002	Chen	361/752
D475,359	S	*	6/2003	Hirose	D14/480.1
6,676,419	B1	*	1/2004	Lin et al.	439/76.1
6,743,030	B2	*	6/2004	Lin et al.	439/131
D523,015	S	*	6/2006	Loftus	D14/480.1
D535,993	S	*	1/2007	Ueda	D14/383
D548,233	S	*	8/2007	Loftus	D14/356
D553,618	S	*	10/2007	Cheng	D14/356
D558,210	S	*	12/2007	Tseng et al.	D14/435
D579,933	S	*	11/2008	Deguchi	D14/356
D581,413	S	*	11/2008	Kim	D14/356
7,628,622	B2	*	12/2009	Yu et al.	439/131
7,686,629	B1	*	3/2010	Yu et al.	439/136

D617,331	S	*	6/2010	Lo	D14/480.7
D620,016	S	*	7/2010	Lo	D14/480.6
D620,017	S	*	7/2010	Lo	D14/480.7
D620,946	S	*	8/2010	Lo	D14/480.5
2005/0162823	A1	*	7/2005	Hosey	361/684
2006/0258196	A1	*	11/2006	Chen et al.	439/141

OTHER PUBLICATIONS

Techtree.com India > Reviews > Mobile Computing > Portable Storage > Kingston DataTraveler 200 64GB: USB Flash Drive, [online] posted on Sep. 25, 2009 [retrieved on May 17, 2010]. Retrieved from the Internet <URL: http://www.techtree.com/techtree/jsp/article.jsp?print=1&article_id=106549&cat_id=611>.*

* cited by examiner

Primary Examiner—Cathron C Brooks

Assistant Examiner—Karen E Kearney

(74) *Attorney, Agent, or Firm*—Banger Shia

(57) **CLAIM**

The ornamental design for a USB flash disk, as shown and described.

DESCRIPTION

FIG. 1 is a perspective view of a USB flash disk showing my new design;

FIG. 2 is a front elevational view thereof;

FIG. 3 is a rear elevational view thereof;

FIG. 4 is a left side elevational view thereof;

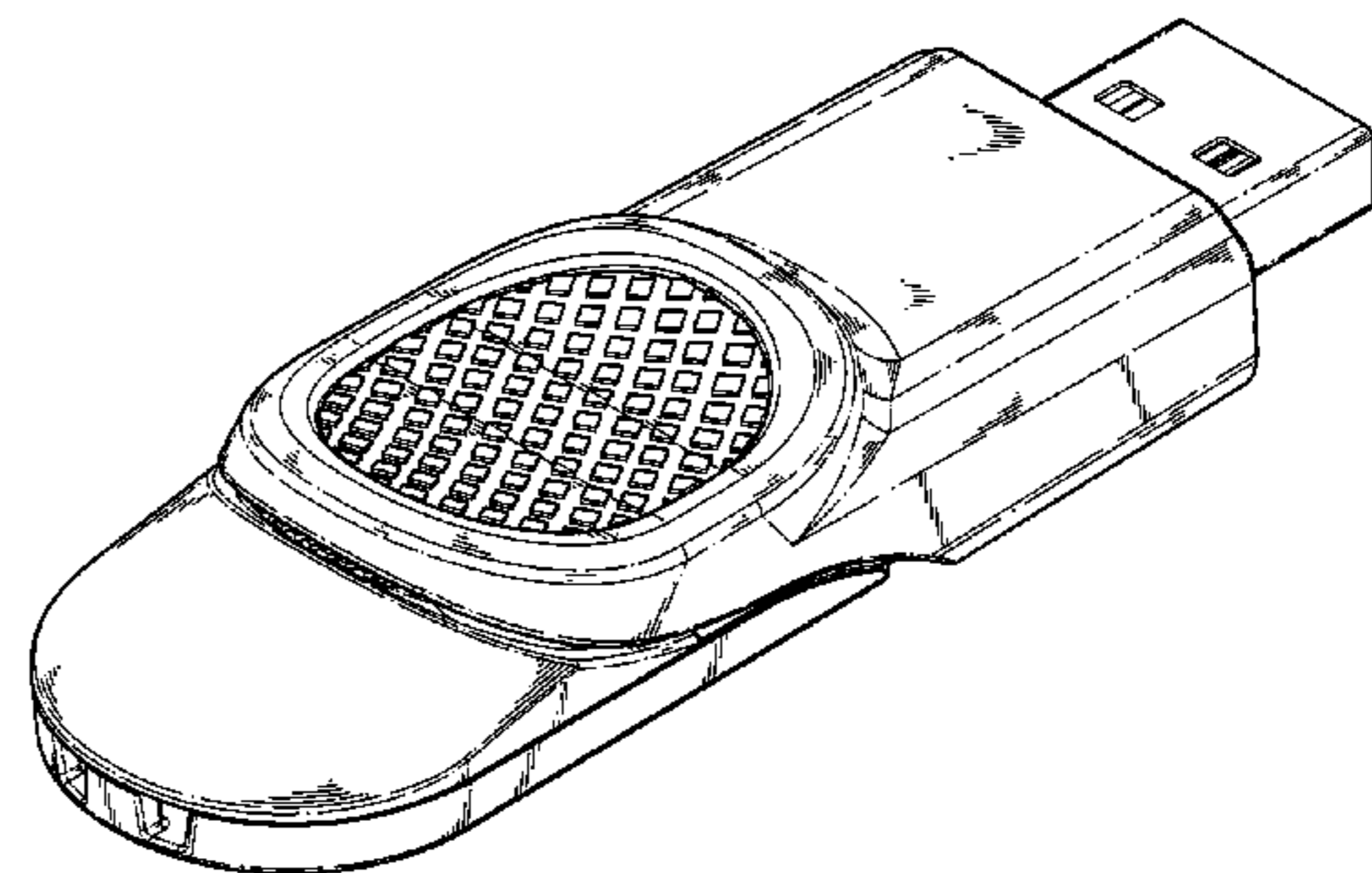
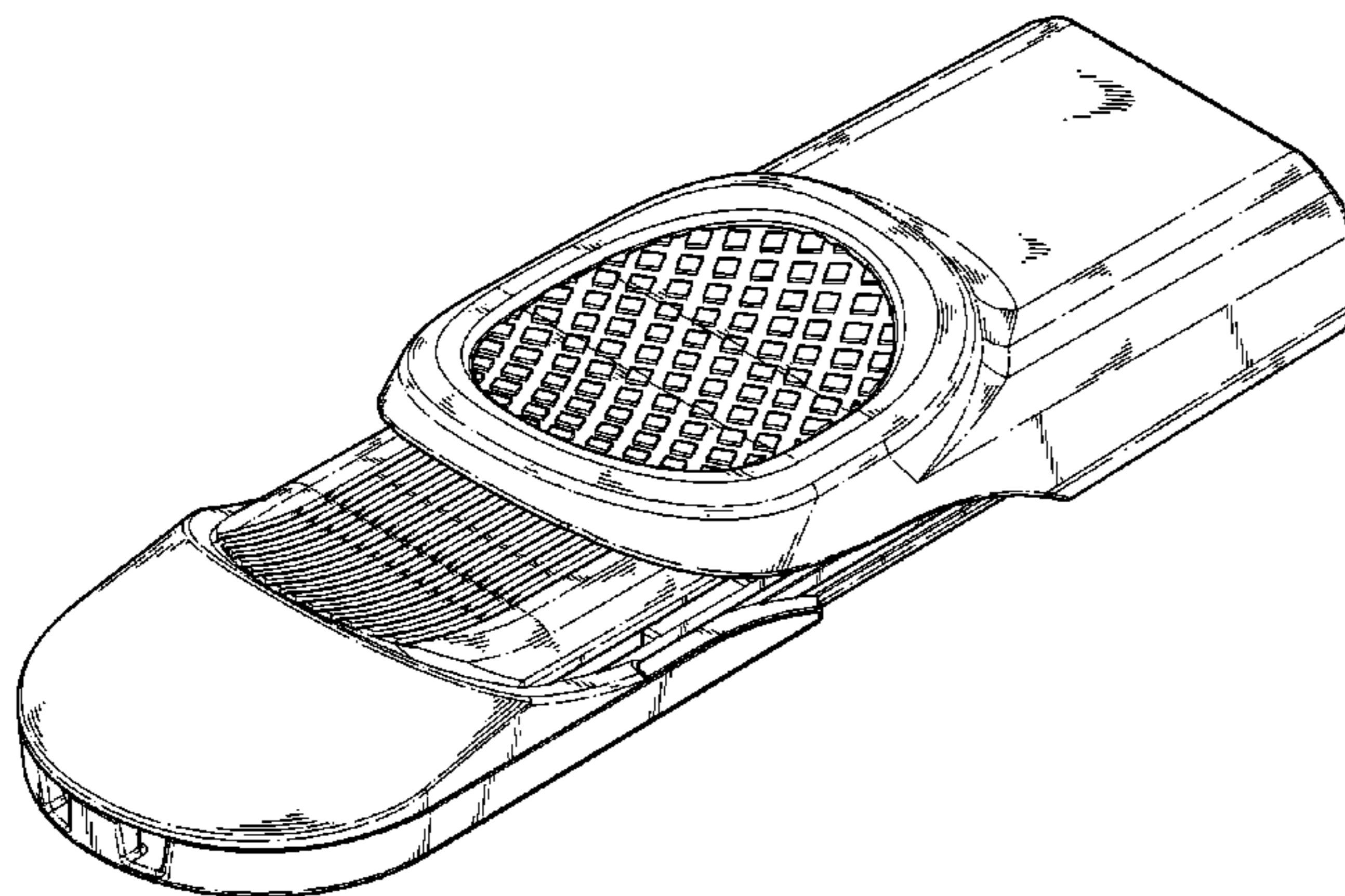
FIG. 5 is a right side elevational view thereof;

FIG. 6 is a top plan view thereof;

FIG. 7 is a bottom plan view thereof; and,

FIG. 8 is a perspective view thereof, wherein the plug is shown in an extended position.

1 Claim, 8 Drawing Sheets



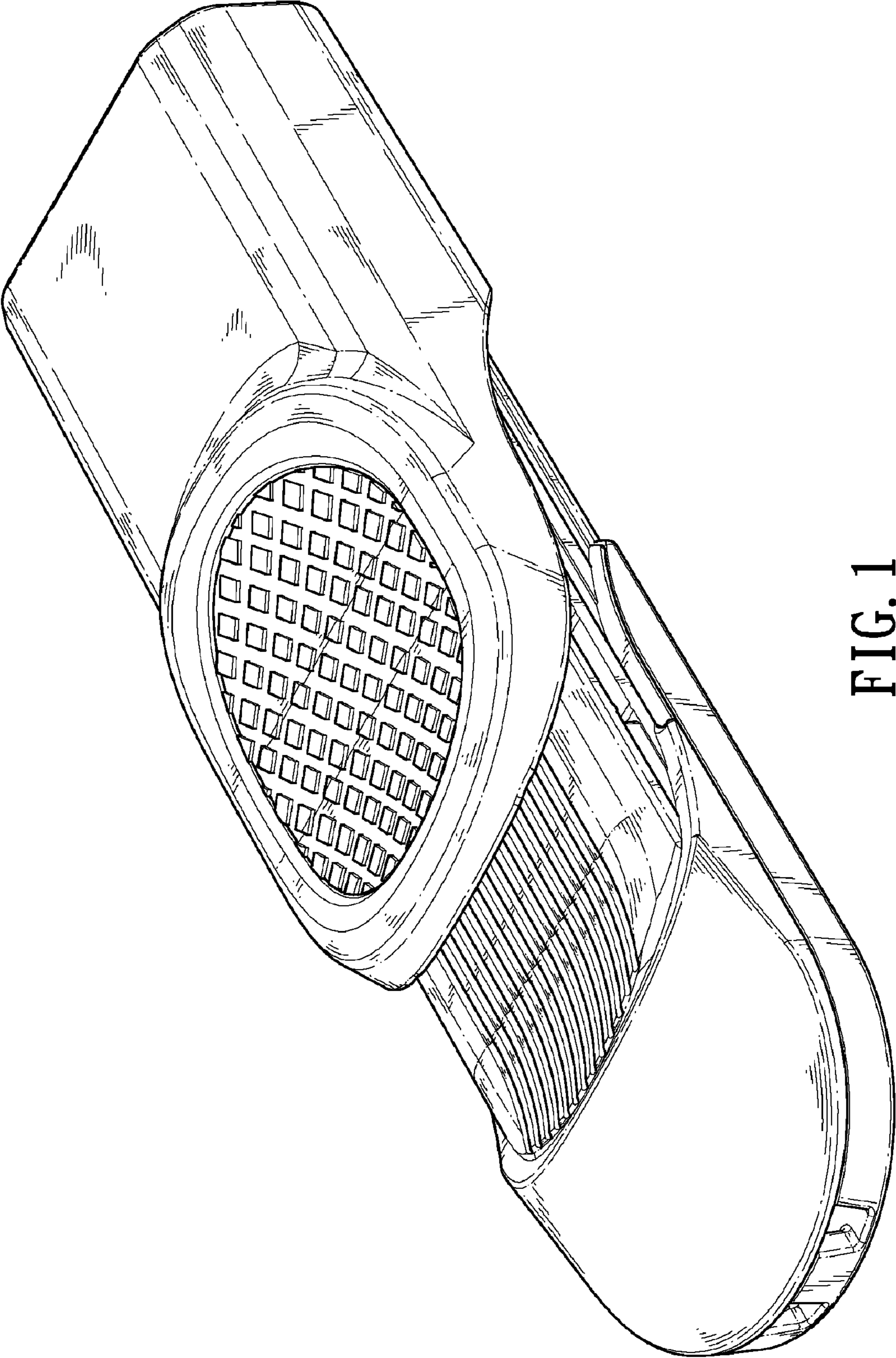


FIG. 1

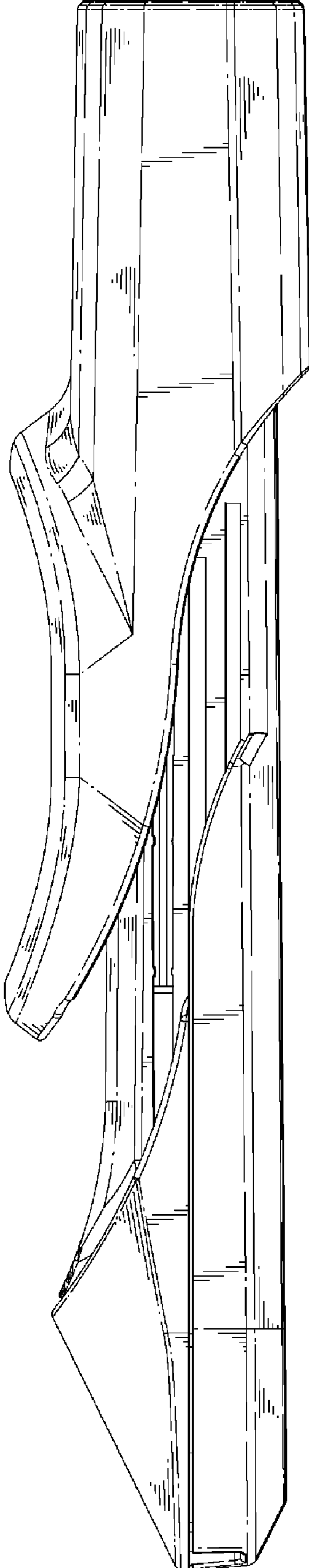


FIG. 2

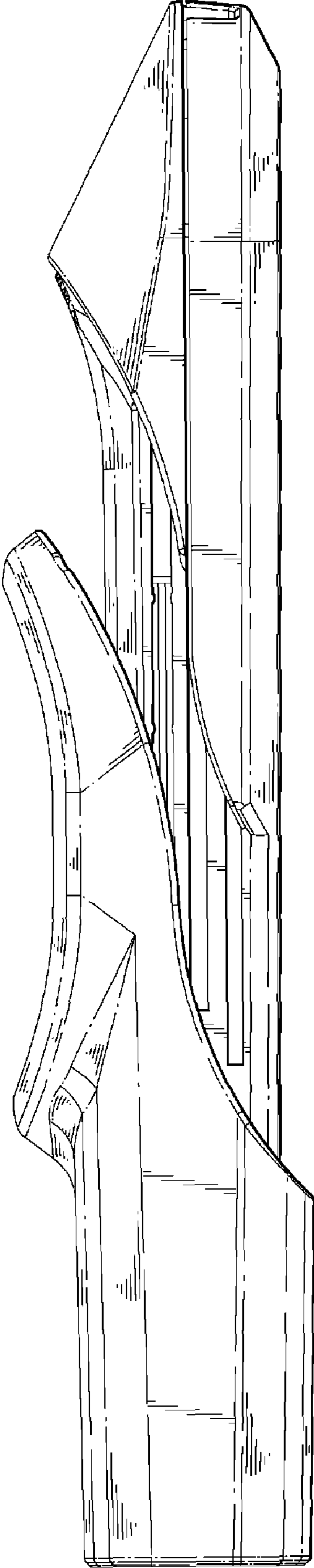


FIG. 3

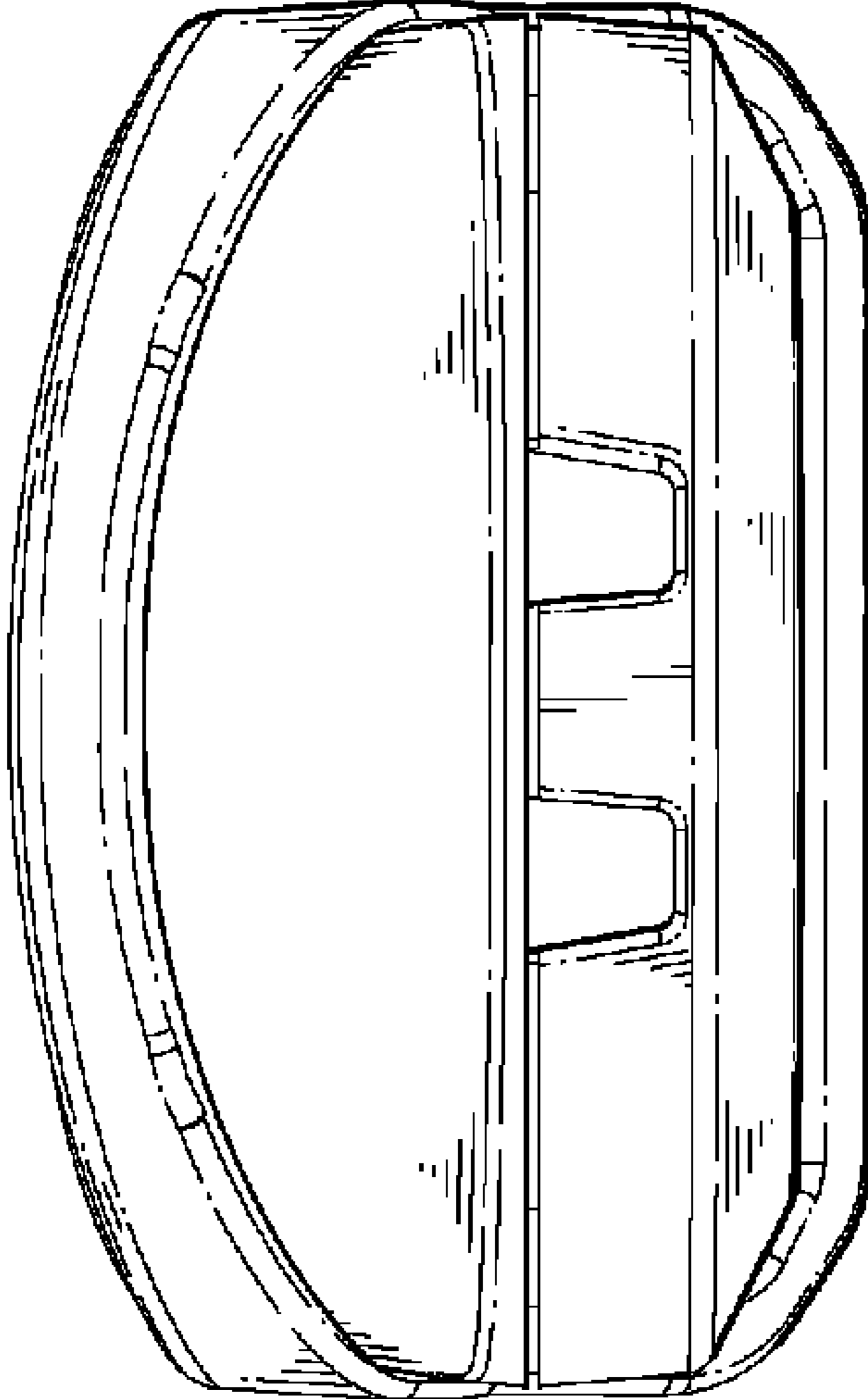


FIG. 4

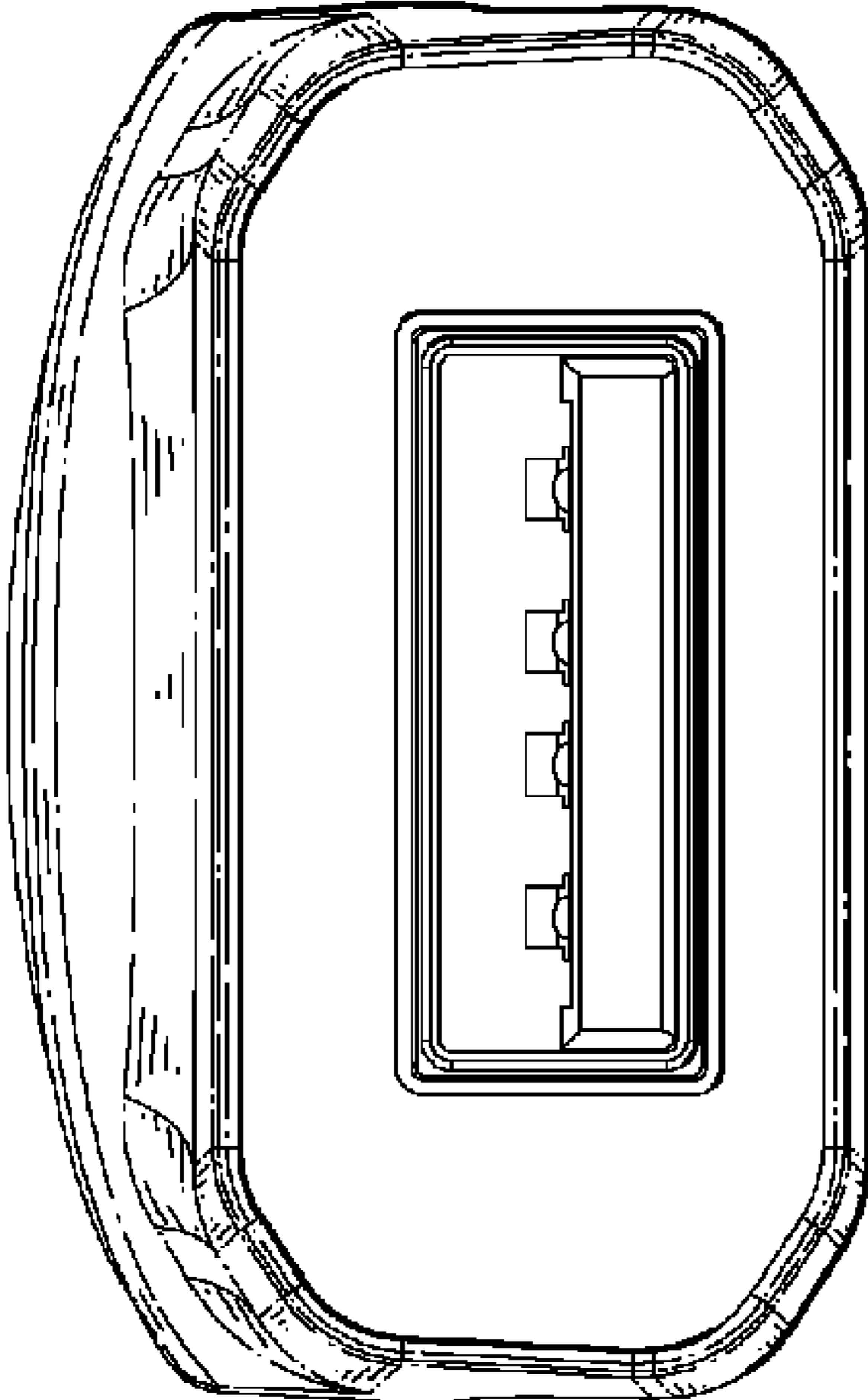


FIG. 5

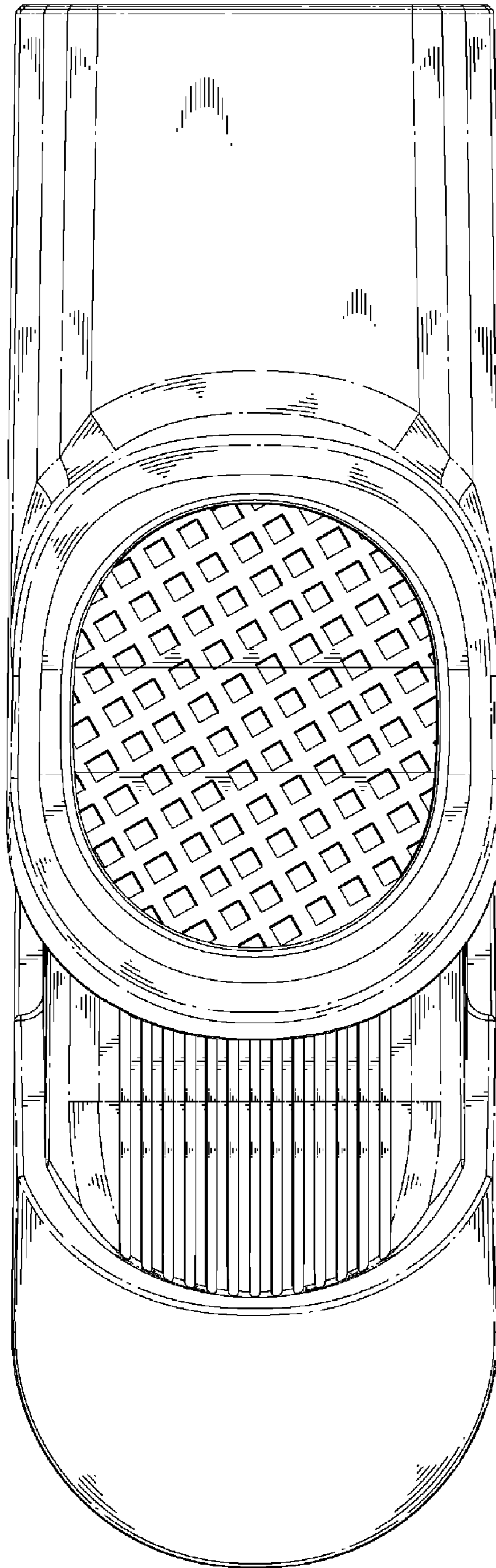


FIG. 6

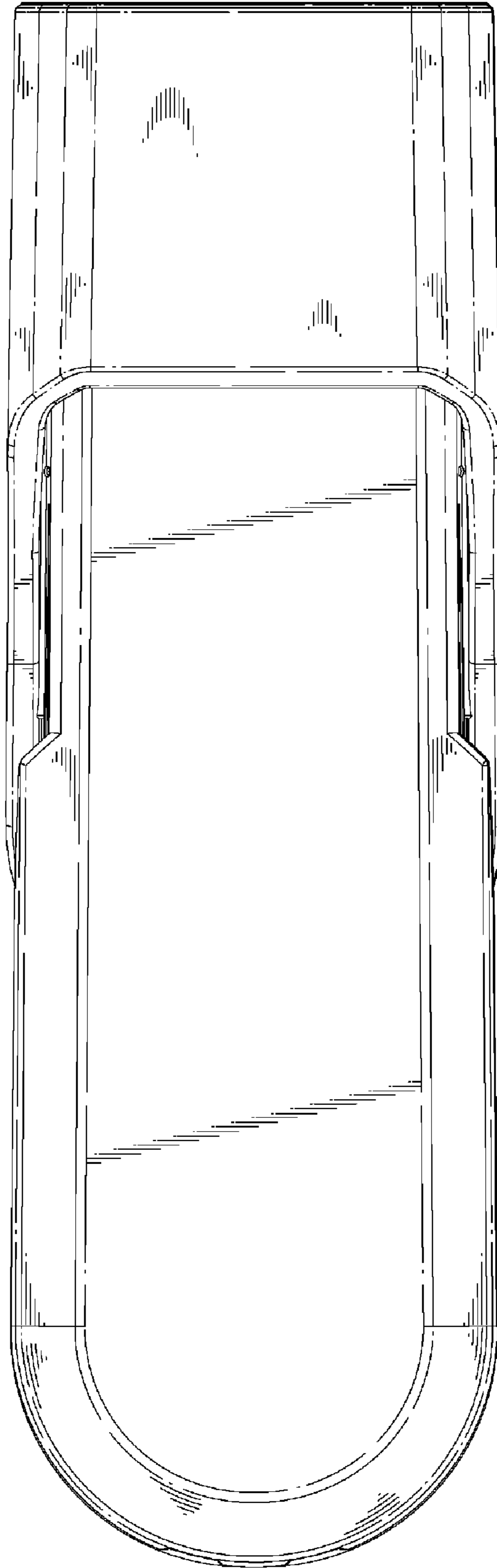


FIG. 7

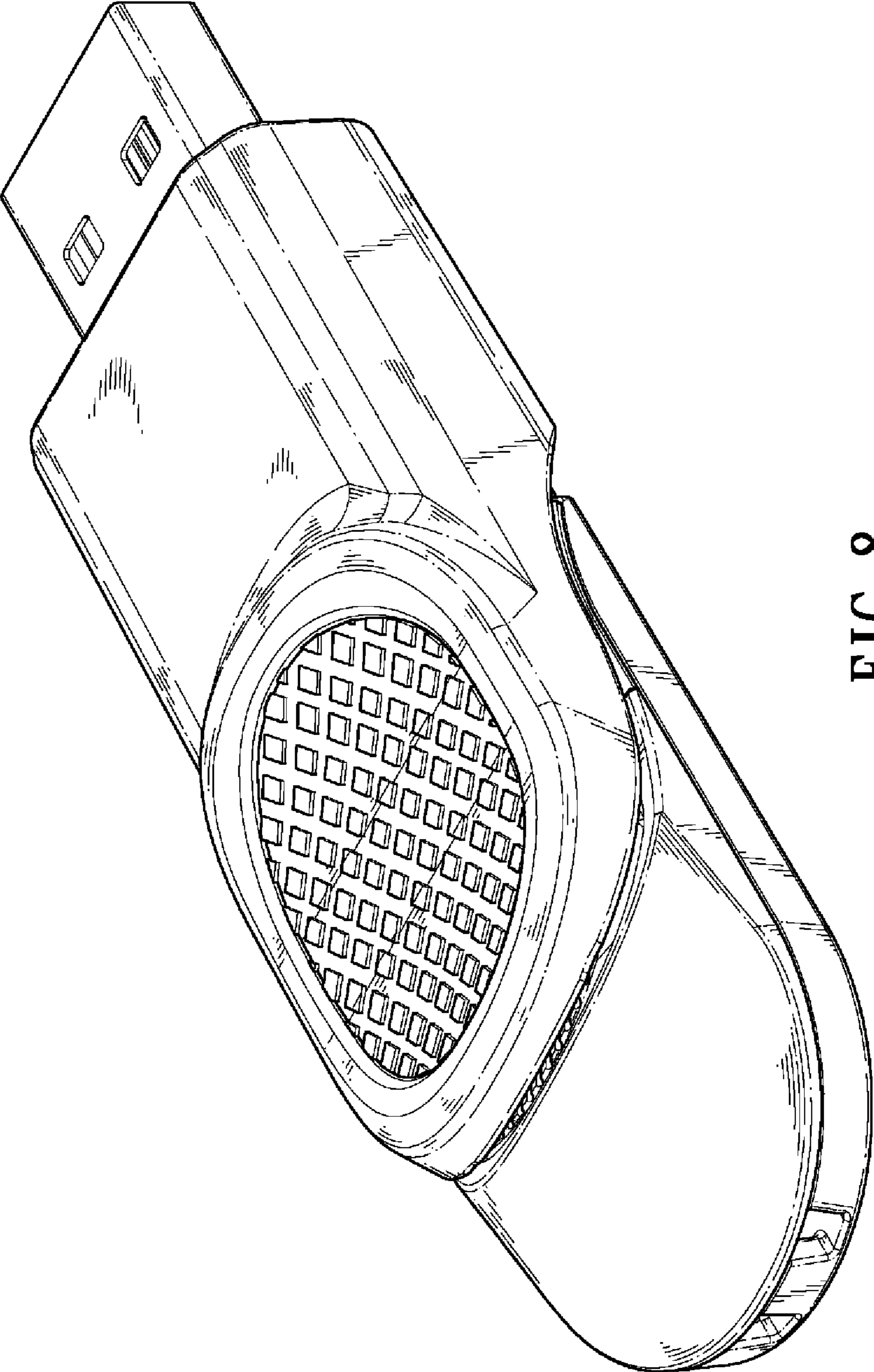


FIG. 8