



US00D629408S

(12) **United States Design Patent**
Otsuka

(10) **Patent No.:** **US D629,408 S**

(45) **Date of Patent:** **** Dec. 21, 2010**

(54) **RECORDING MEDIUM**

(75) Inventor: **Hitoshi Otsuka**, Tokyo (JP)

(73) Assignee: **Kabushiki Kaisha Toshiba**, Tokyo (JP)

(**) Term: **14 Years**

(21) Appl. No.: **29/354,823**

(22) Filed: **Jan. 29, 2010**

(30) **Foreign Application Priority Data**

Nov. 13, 2009 (JP) 2009-026663

(51) **LOC (9) Cl.** **32-00**

(52) **U.S. Cl.** **D14/480.5**

(58) **Field of Classification Search** D14/411,
D14/433, 435.1, 436, 480.1–480.7, 484.1,
D14/137, 155, 167, 168, 203.1–203.8, 240,
D14/242, 299; D3/201, 273; D13/107, 108,
D13/149, 184; 710/300, 301; 439/131, 135–147
See application file for complete search history.

(56) **References Cited**

U.S. PATENT DOCUMENTS

D492,307 S *	6/2004	Aqqad et al.	D14/480.5
D511,519 S *	11/2005	Bone et al.	D14/432
D527,477 S *	8/2006	Chen	D26/37
D532,783 S *	11/2006	Yu	D14/480.3
D554,119 S *	10/2007	Otsuka et al.	D14/356
D556,210 S *	11/2007	Choi et al.	D14/496
D556,752 S *	12/2007	Otsuka	D14/356
D556,762 S *	12/2007	Hsiau	D14/435
D583,816 S *	12/2008	Guccione et al.	D14/358
D605,198 S *	12/2009	Otsuka et al.	D14/480.5
D617,331 S *	6/2010	Lo	D14/480.7
2006/0082963 A1 *	4/2006	Chen	361/684
2006/0190664 A1 *	8/2006	Chen	710/313
2006/0234533 A1 *	10/2006	Lei et al.	439/135

2007/0101060 A1* 5/2007 Robinson et al. 711/115

OTHER PUBLICATIONS

A-Data Technology, [online], [retrieved on May 25, 2010]. Retrieved from the Internet <URL: http://www.adata.com.tw/en/product_show.php?ProductNo=AC96ZZZBK>.*

A-Data Technology, [online], [retrieved on Jul. 3, 2007]. Retrieved from the Internet <URL: http://www.adata.com.tw/adata_en/products_search.php>.*

(Continued)

Primary Examiner—Cathron C Brooks

Assistant Examiner—Karen E Kearney

(74) *Attorney, Agent, or Firm*—Banner & Witcoff, Ltd.

(57) **CLAIM**

The ornamental design for a recording medium, as shown and described.

DESCRIPTION

FIG. 1 is a front perspective view of a recording medium, showing my new design;

FIG. 2 is a front elevational view thereof; the opposite side being a mirror image thereof;

FIG. 3 is a top plan view thereof;

FIG. 4 is a bottom plan view thereof;

FIG. 5 is a left side elevational view thereof; the opposite side being a mirror image thereof;

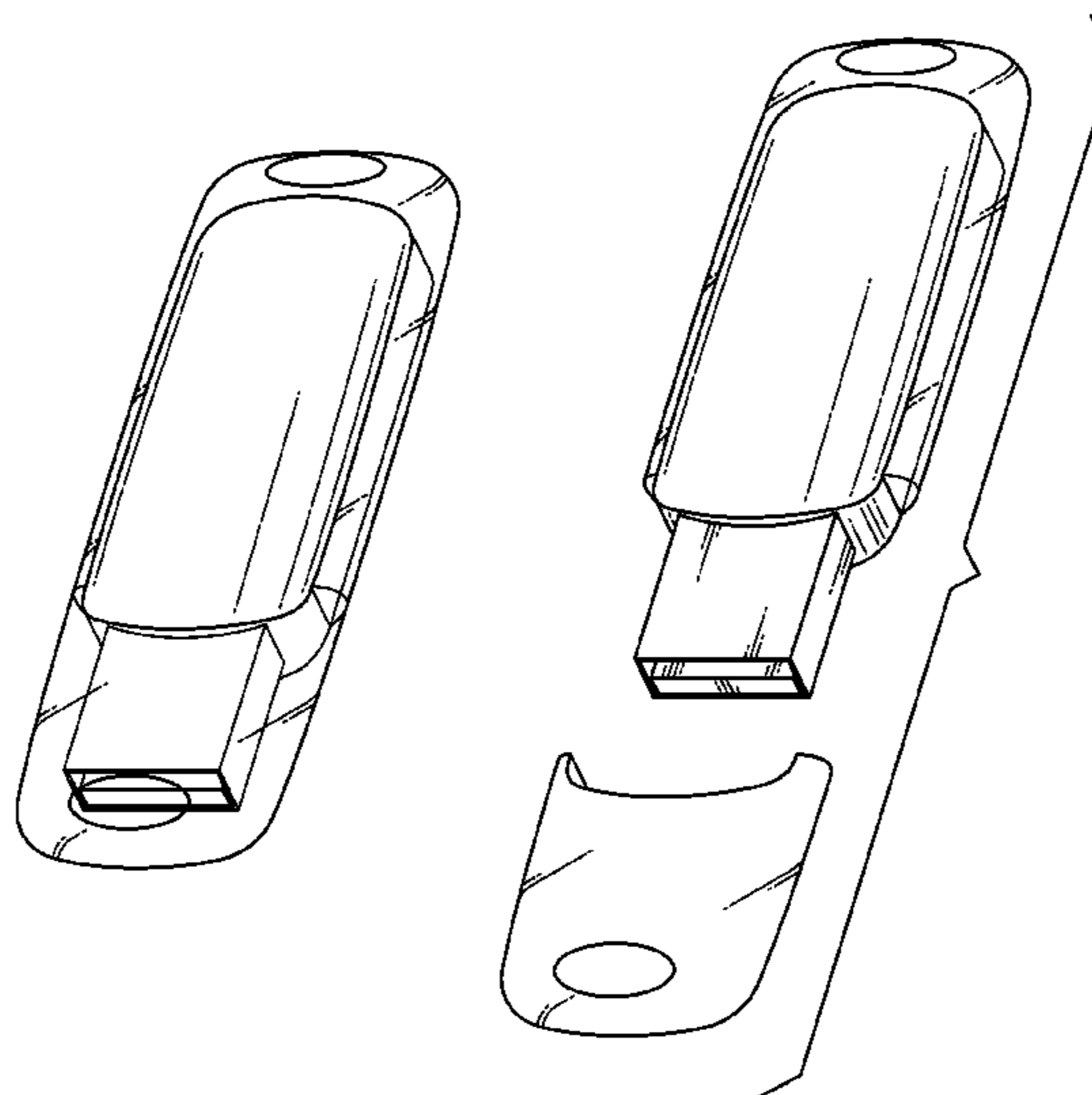
FIG. 6 is a perspective view thereof with a cap in a removed state for completeness of illustration;

FIG. 7 is a front elevational view thereof, shown without a cap for completeness of illustration; the opposite side being a mirror image thereof;

FIG. 8 is a left side elevational view of FIG. 7; the opposite side being a mirror image thereof; and,

FIG. 9 is a bottom plan view of FIG. 7; and the top plan view of FIG. 7 being identical with the FIG. 3.

1 Claim, 3 Drawing Sheets



OTHER PUBLICATIONS

CellMate Single-Slt Multi-Card Reader Manufacturer, [online], [retrieved on Jan. 8, 2007]. Retrieved from the Internet <URL: <http://www.globalsources.com/gsol/I/Memory-card/p/bg/1000647651.htm>>.*

Drone—Plug & Play 100-meter range Bluetooth VOIP and Music for your PC, [online], [retrieved on Oct. 14, 2008]. Retrieved from the Internet <URL: <http://www.callpod.com/products/drone>>.*

Lexar Flash Drives|Lexar JumpDrive|FireFly|Lightning|Secure—Buy & Blog, [online] posted

on Sep. 10, 2009 [retrieved on May 17, 2010]. Retrieved from the Internet <URL: <http://www.usbmemorysticks.net/lexar-flash-drives>>.*

USB MS/MS PRO/MS-DUO Card Reader Manufacturer, [online], [retrieved on Jan. 8, 2007]. Retrieved from the Internet <URL: <http://www.globalsources.com/gsol/I/Memory-card/p/bg/1002053495.htm>>.*

Princeton Catalog of USB Flash Memory (PFU-LE64) received Mar. 23, 2004.

* cited by examiner

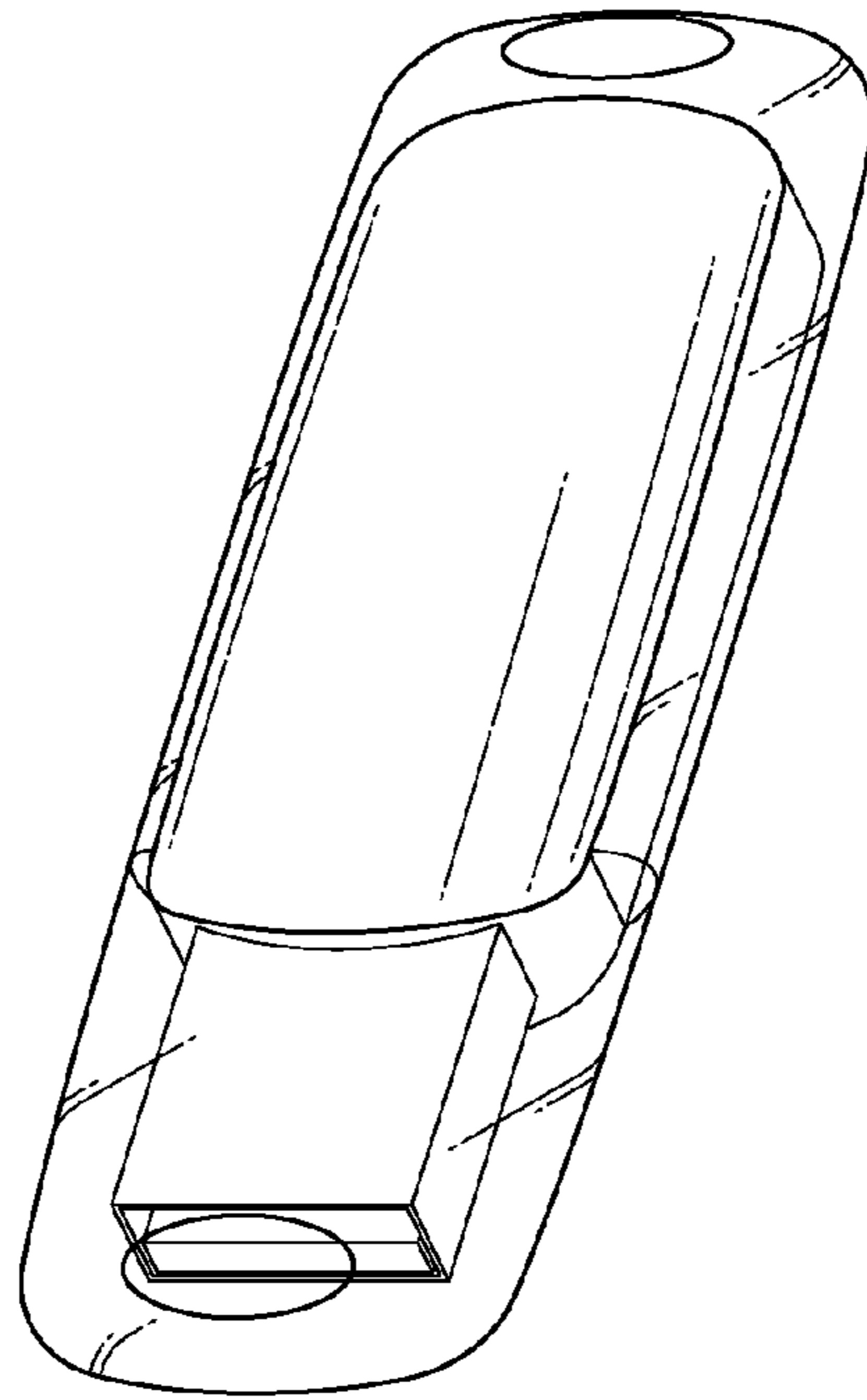


FIG. 1

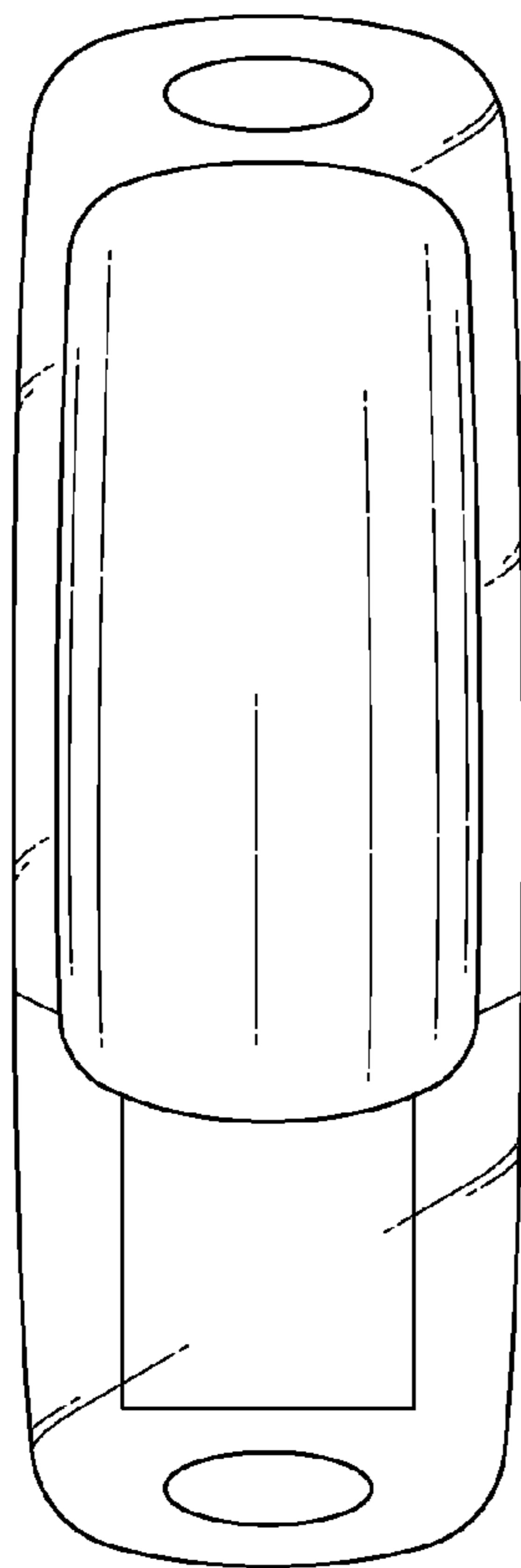


FIG. 2

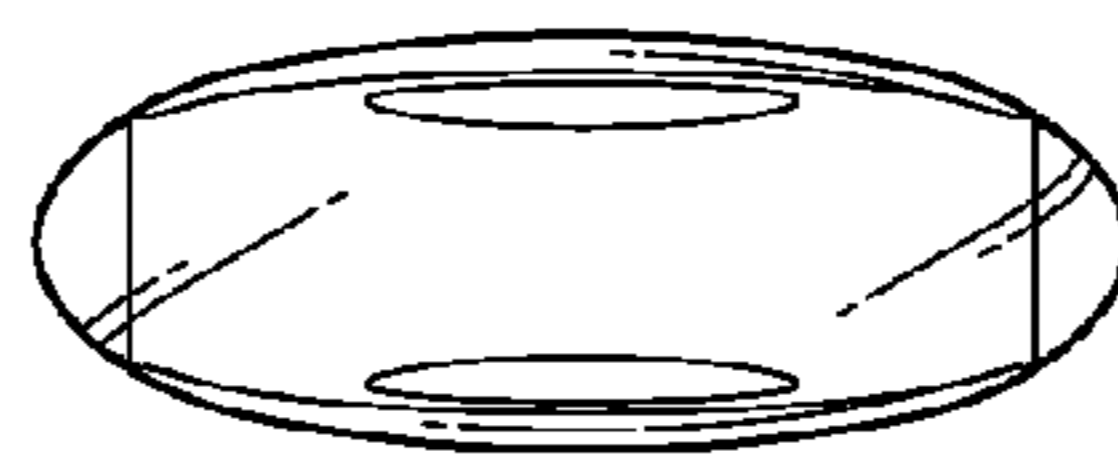


FIG. 3

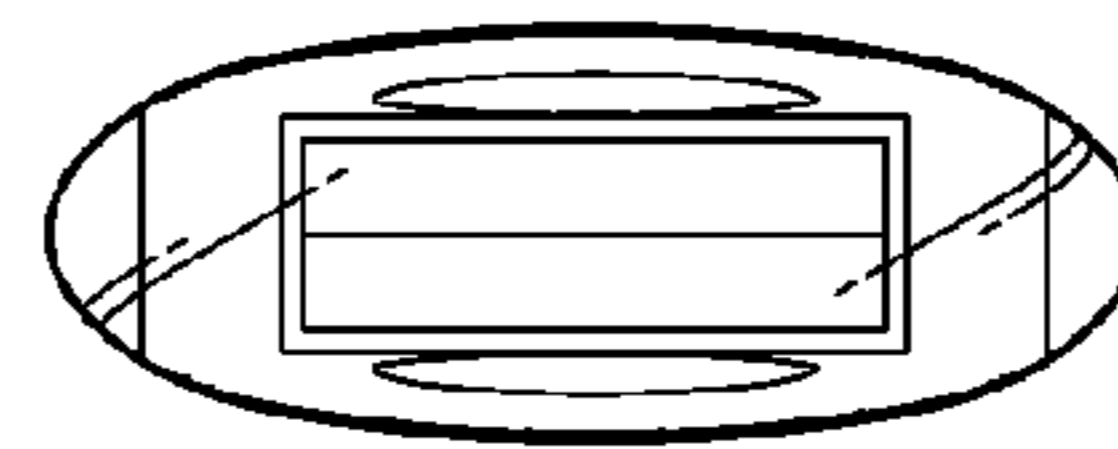


FIG. 4

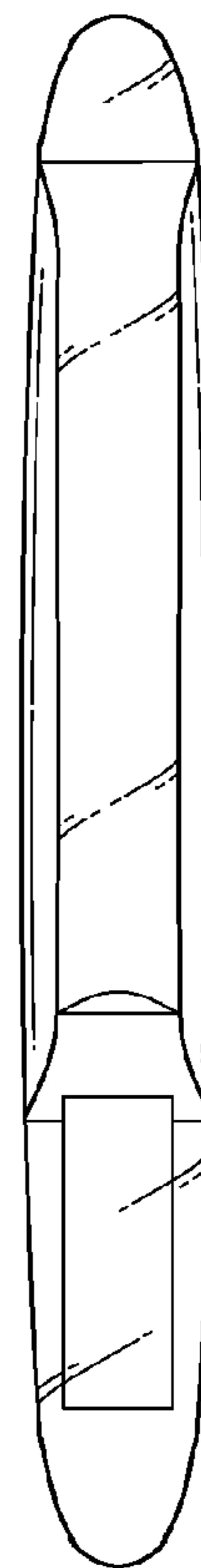


FIG. 5

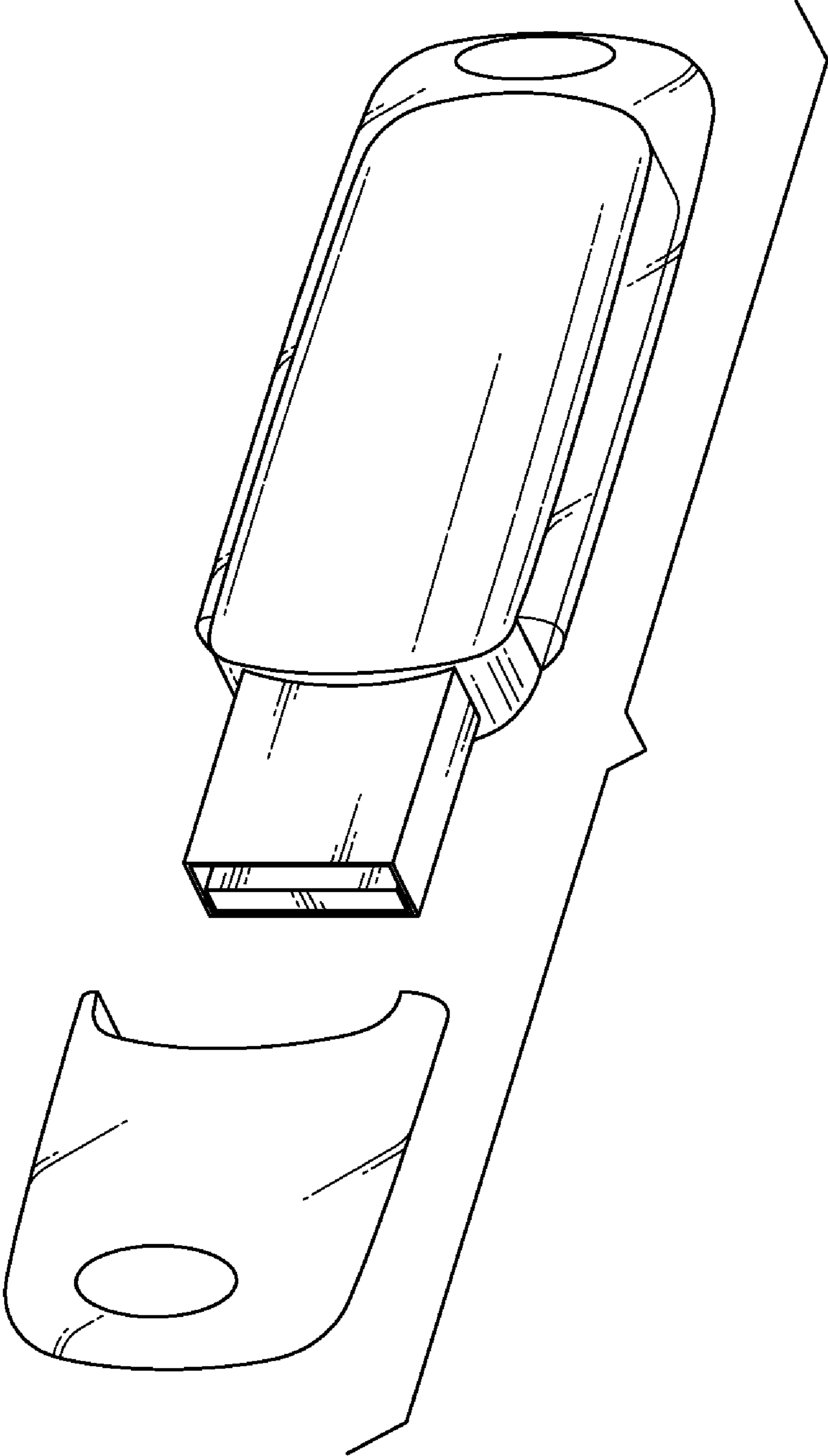


FIG.6

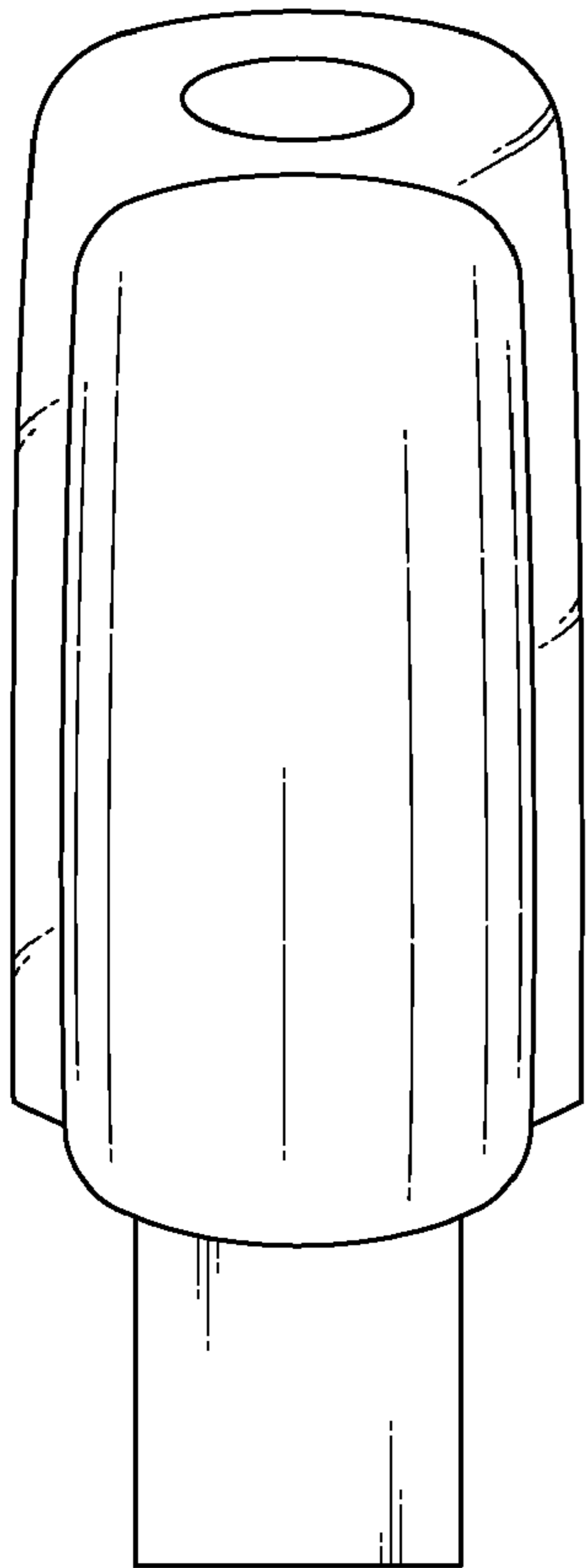


FIG. 7

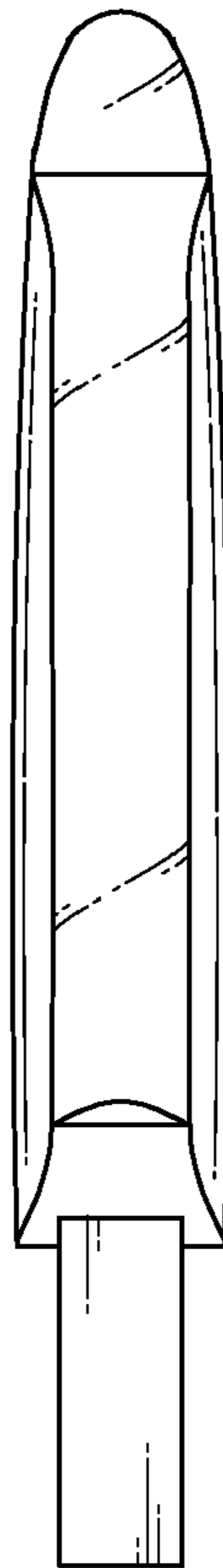


FIG. 8

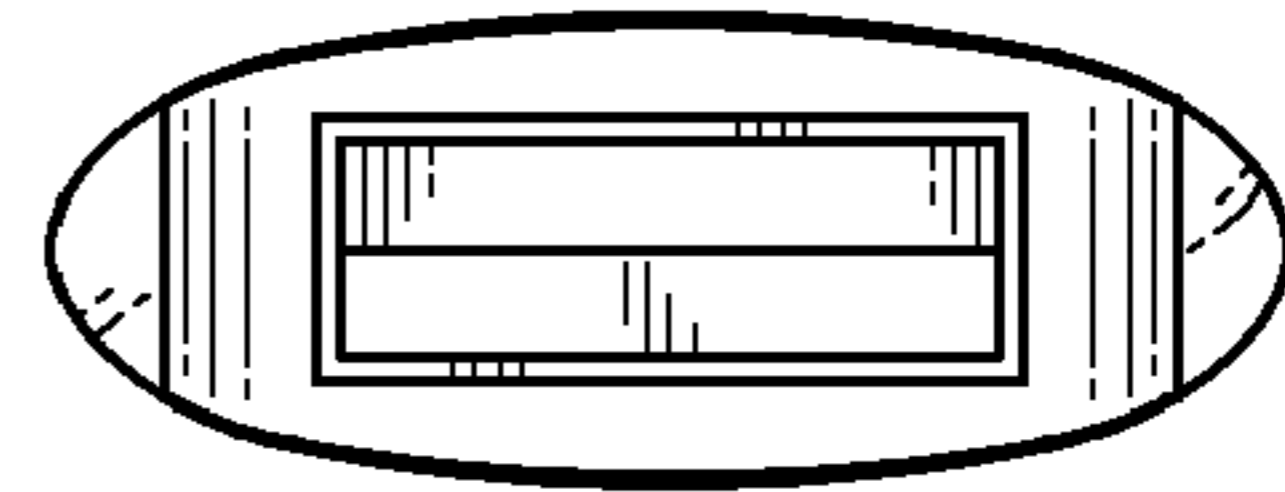


FIG. 9