



US00D629406S

(12) **United States Design Patent**
Raken et al.

(10) **Patent No.:** **US D629,406 S**

(45) **Date of Patent:** **** Dec. 21, 2010**

(54) **KEYBOARD**

(75) Inventors: **Jan Raken**, Seattle, WA (US); **Peter Bristol**, Shoreline, WA (US)

(73) Assignee: **Microsoft Corporation**, Redmond, WA (US)

(**) Term: **14 Years**

(21) Appl. No.: **29/356,771**

(22) Filed: **Mar. 2, 2010**

(51) **LOC (9) Cl.** **14-02**

(52) **U.S. Cl.** **D14/456**

(58) **Field of Classification Search** D14/391-399,
D14/455, 456; D18/1, 2, 7, 11; 178/17 A,
178/17 C; 200/5 A, 5 R, 6 A, 6 R; 235/145 A,
235/145 R; 341/20-23; 345/160, 169; 400/486-489,
400/492, 472

See application file for complete search history.

(56) **References Cited**

U.S. PATENT DOCUMENTS

D305,422 S *	1/1990	Steer et al.	D14/247
5,372,442 A *	12/1994	Wang	400/490
D428,011 S *	7/2000	Howe et al.	D14/399
6,184,481 B1 *	2/2001	Chen	200/5 A
D476,013 S *	6/2003	Tabasso et al.	D14/456
D515,578 S *	2/2006	Neal et al.	D14/396
D546,833 S *	7/2007	Fisher et al.	D14/455
D551,238 S *	9/2007	O'Neil et al.	D14/456

D599,351 S	9/2009	Manalo
D604,301 S	11/2009	Manalo
D611,481 S	3/2010	Manalo

OTHER PUBLICATIONS

Color images of Microsoft Sidewinder X6 Keyboard, 4 sheets, Microsoft Corporation, Aug. 2008.

* cited by examiner

Primary Examiner—Freda S Nunn

(74) *Attorney, Agent, or Firm*—Banner & Witcoff, Ltd.

(57) **CLAIM**

The ornamental design for a keyboard, as shown and described.

DESCRIPTION

FIG. 1 is a front perspective view of a keyboard showing our new design;

FIG. 2 is a top view thereof;

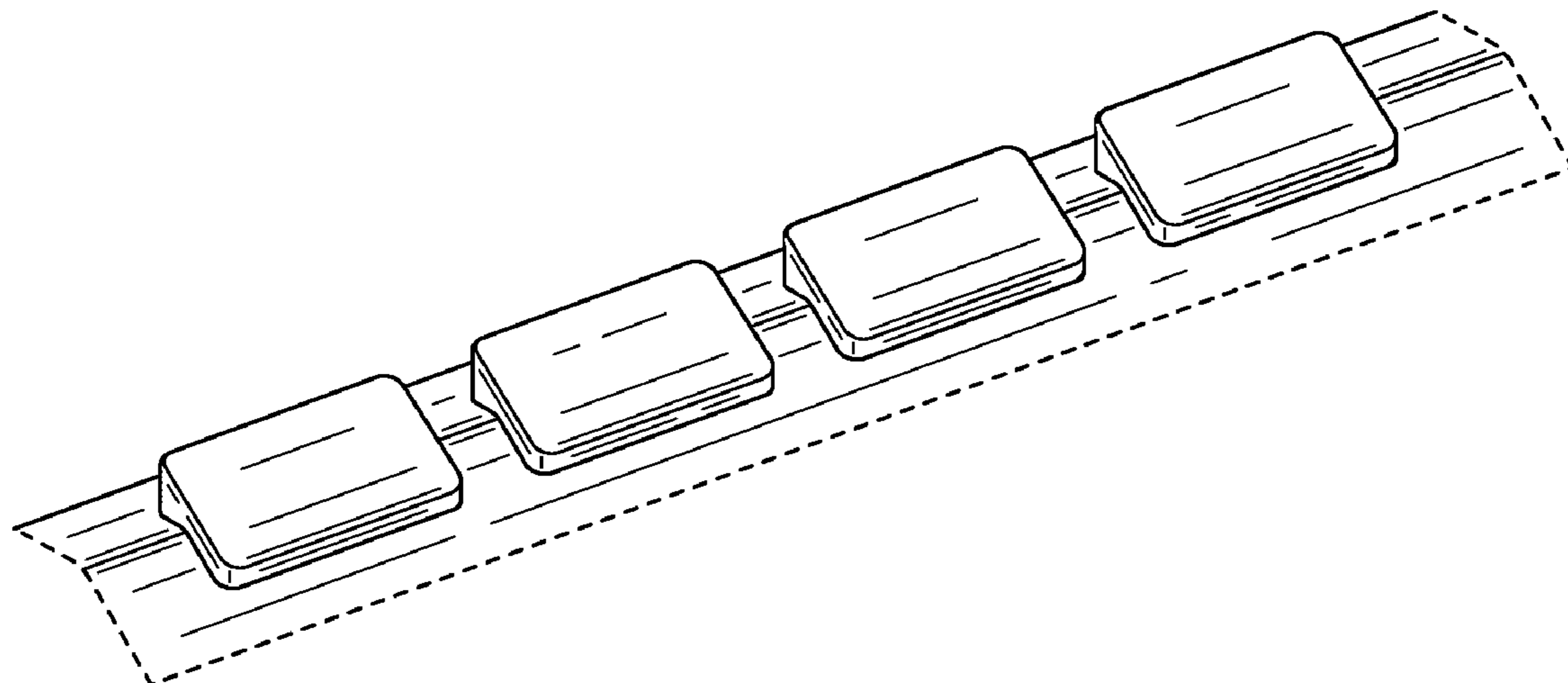
FIG. 3 is a front view thereof;

FIG. 4 is a front perspective view of an enlarged region of the keyboard containing the claimed region; and,

FIG. 5 is a rear perspective view thereof.

The broken lines appearing along the sides and in front of the four claimed keys are understood to define the bounds of the claimed design, and the broken line showing of the remainder of the keyboard is for environmental purposes only and forms no part of the claimed design.

1 Claim, 3 Drawing Sheets



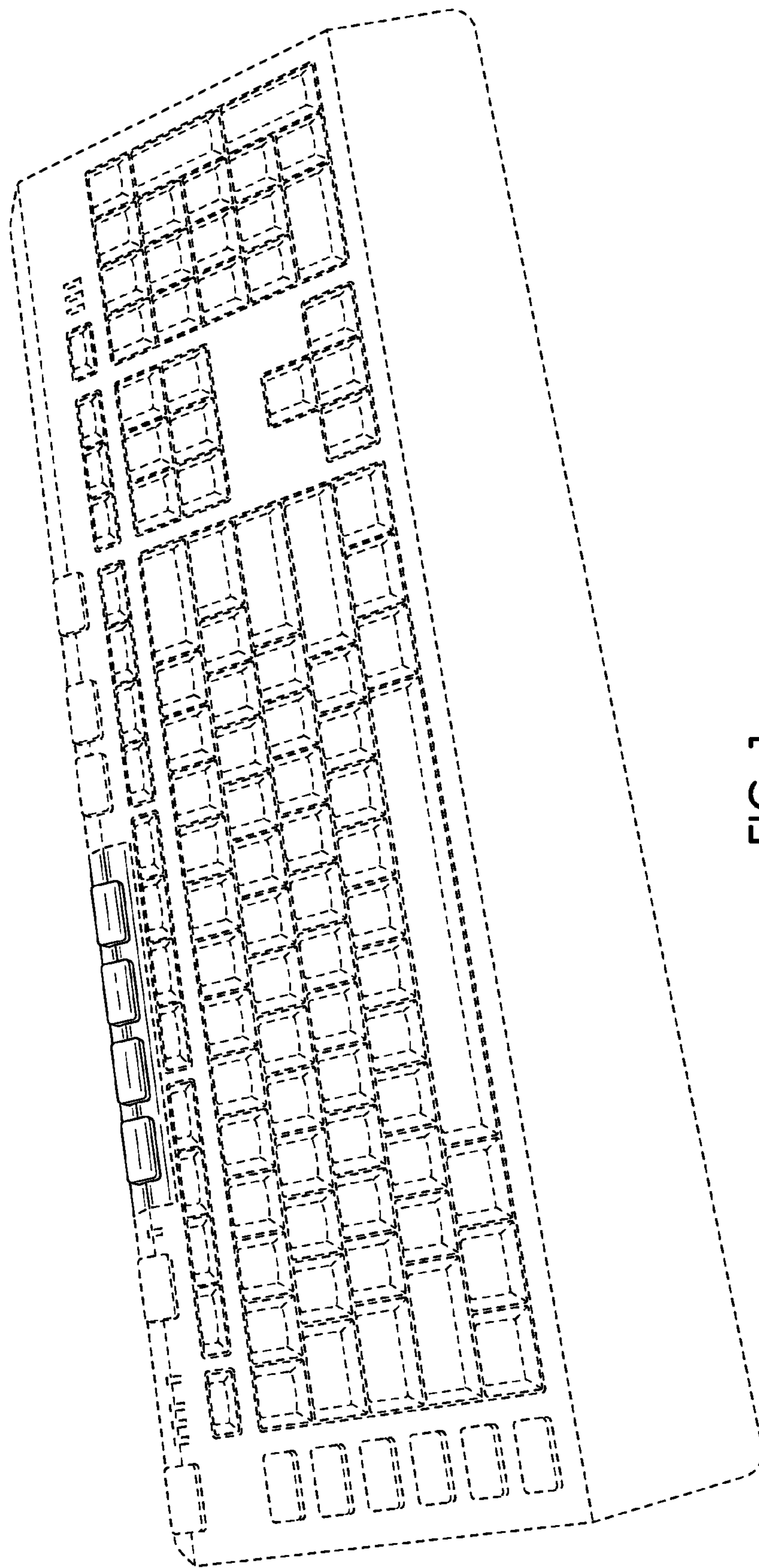


FIG. 1

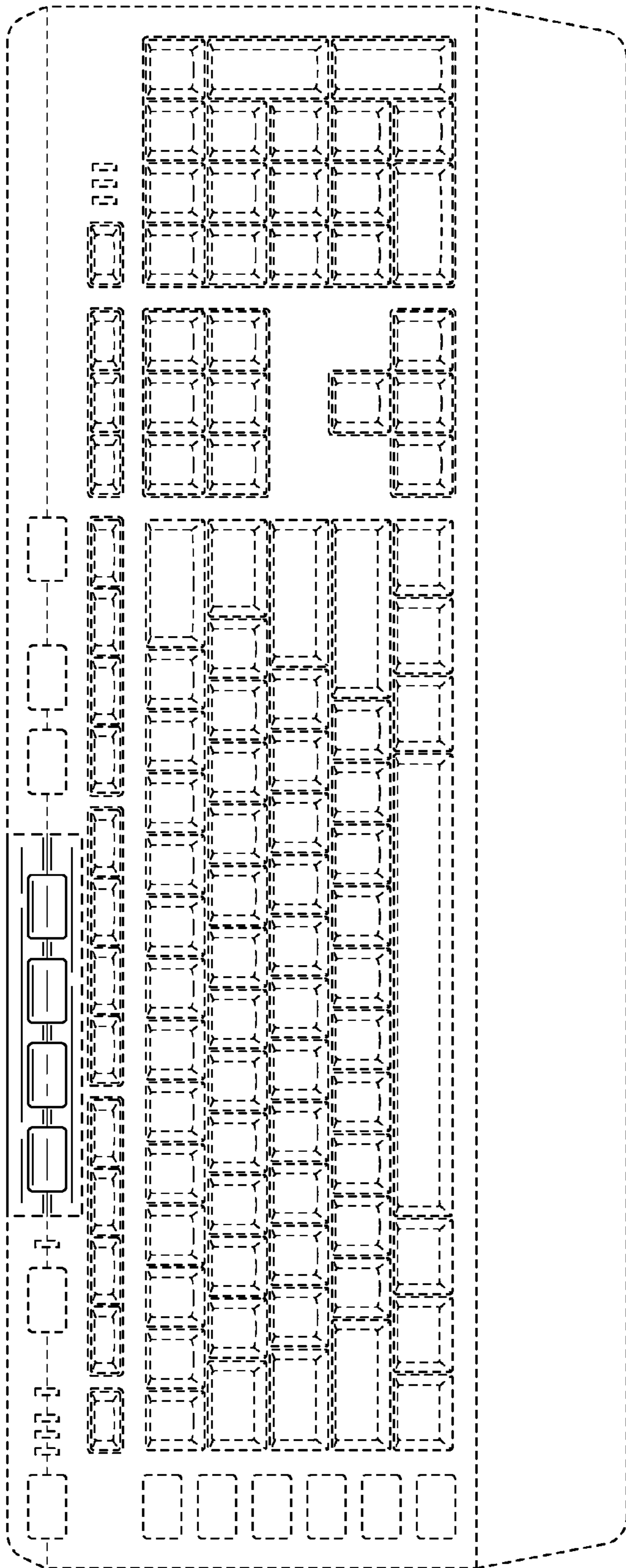


FIG. 2

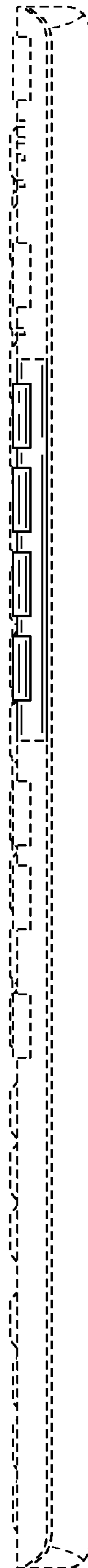


FIG. 3

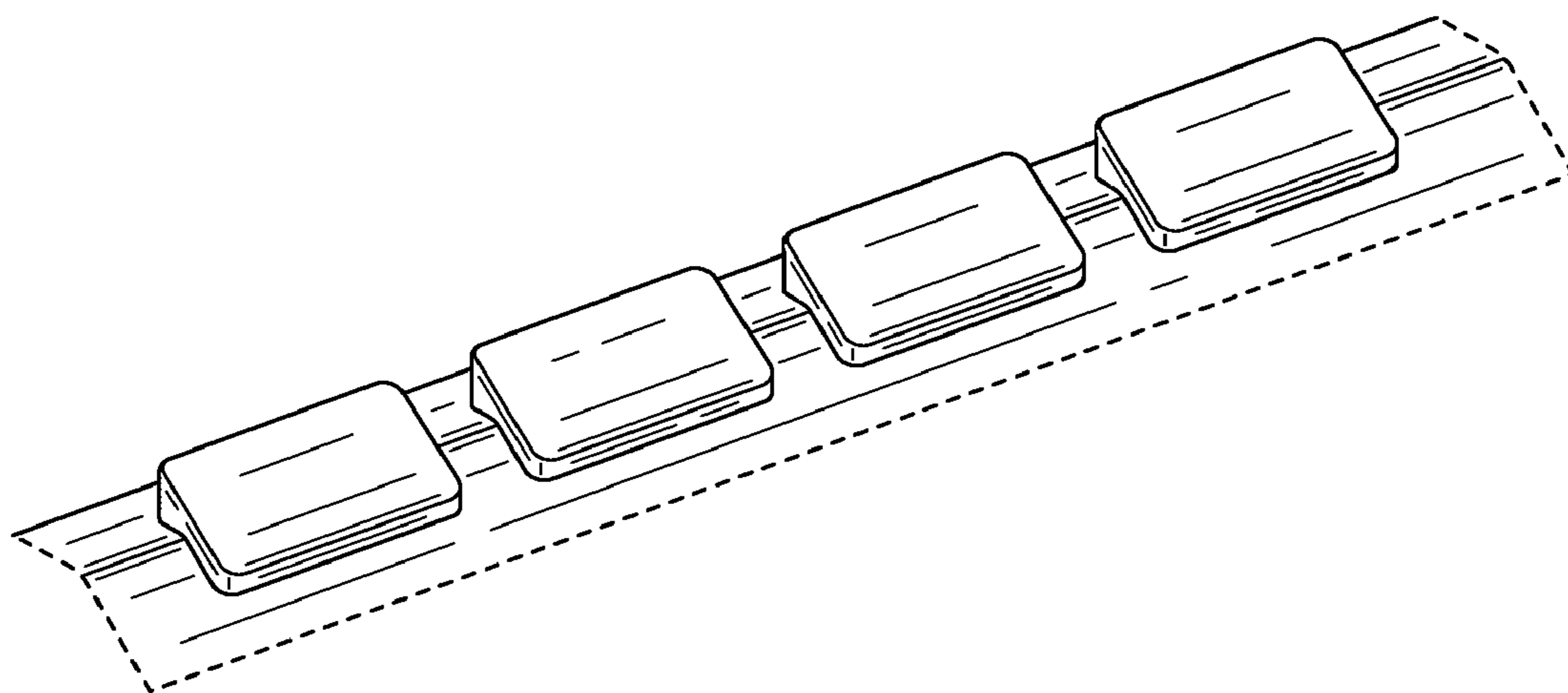


FIG. 4

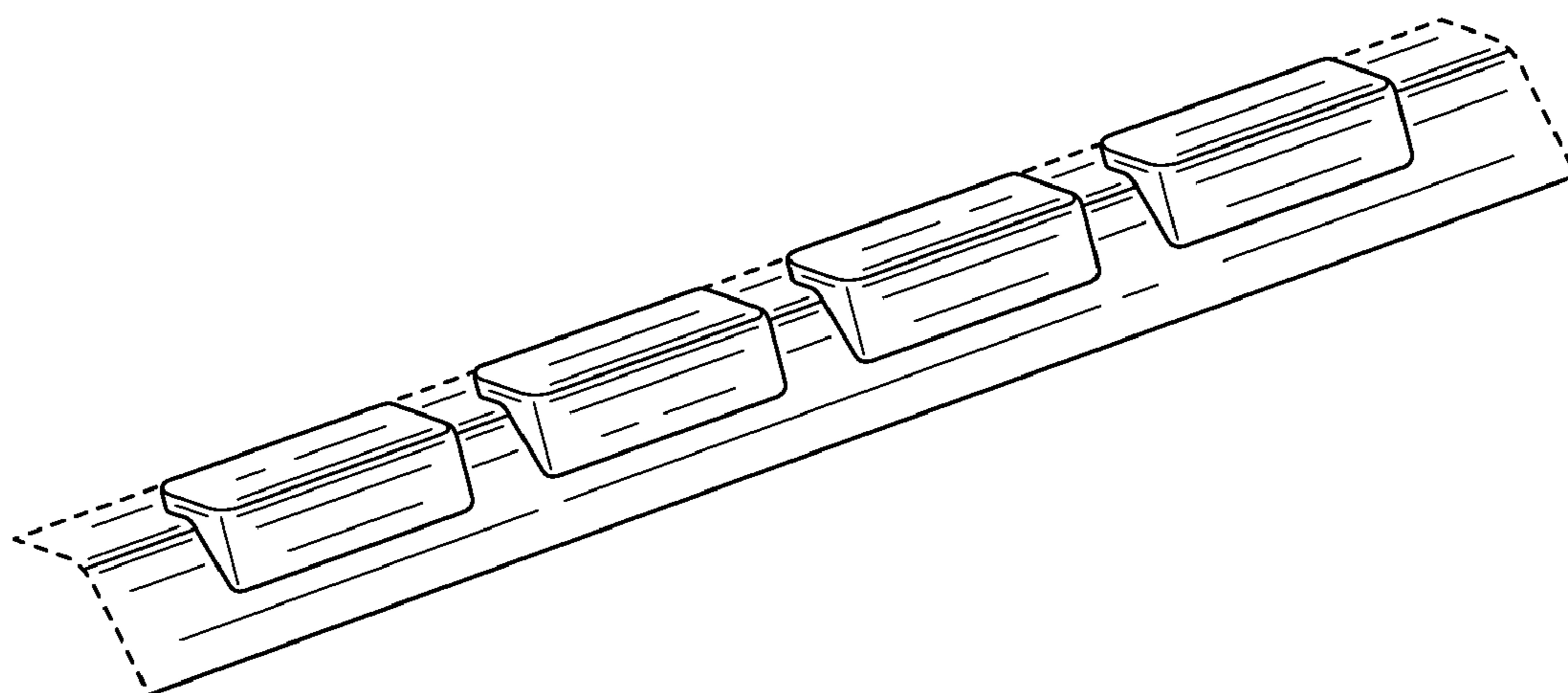


FIG. 5