



US00D629405S

(12) **United States Design Patent**  
**Crysell**

(10) **Patent No.:** **US D629,405 S**

(45) **Date of Patent:** **\*\* Dec. 21, 2010**

(54) **BASE FOR SUPPORTING A PIECE OF  
HARDWARE**

(75) Inventor: **Mark Crysell, Nørresundby (DK)**

(73) Assignee: **Ergonomic Solutions International  
Limited, Surrey (GB)**

(\*\*) Term: **14 Years**

(21) Appl. No.: **29/363,904**

(22) Filed: **Jun. 16, 2010**

(51) **LOC (9) Cl.** ..... **08-07**

(52) **U.S. Cl.** ..... **D14/447**

(58) **Field of Classification Search** ..... D14/447,  
D14/451, 452, 239, 432, 434, 439, 448, 457,  
D14/251, 253, 224, 224.1, 126, 127, 371,  
D14/373, 374, 375; D8/363, 373, 380; 248/917,  
248/918, 919, 920, 921, 922, 923, 924, 441.1,  
248/460, 122.1, 125.7, 371, 176.1, 176.3,  
248/222.52, 276.1, 324; 361/679.06, 679.04,  
361/679.21, 679.22, 679.56

See application file for complete search history.

(56) **References Cited**

**U.S. PATENT DOCUMENTS**

D309,307 S \* 7/1990 Sigurdson ..... D14/251  
D324,865 S \* 3/1992 Cooper ..... D14/253  
D332,789 S \* 1/1993 Rak ..... D14/251  
D337,333 S \* 7/1993 Turk ..... D14/251  
D460,078 S \* 7/2002 Li ..... D14/452

6,708,940 B2 \* 3/2004 Ligertwood ..... 248/324  
D533,174 S \* 12/2006 Richter ..... D14/251  
D567,810 S \* 4/2008 Yeh ..... D14/253  
D576,615 S \* 9/2008 Richter ..... D14/253  
D591,755 S \* 5/2009 Richter ..... D14/447  
D595,298 S \* 6/2009 Zonshine et al. .... D14/451  
D599,355 S \* 9/2009 Richter ..... D14/447  
2007/0012825 A1 \* 1/2007 Yeh ..... 248/122.1

\* cited by examiner

*Primary Examiner*—Angela J Lee

(74) *Attorney, Agent, or Firm*—William J. Sapone; Coleman  
Sudol Sapone P.C.

(57) **CLAIM**

I claim the ornamental design for a base for supporting a piece  
of hardware, as shown and described.

**DESCRIPTION**

FIG. 1 is a perspective front view of the base for supporting a  
piece of hardware, such as a card processing terminal or the  
like, showing my new design;

FIG. 2 is a left side view thereof;

FIG. 3 is a right side view thereof;

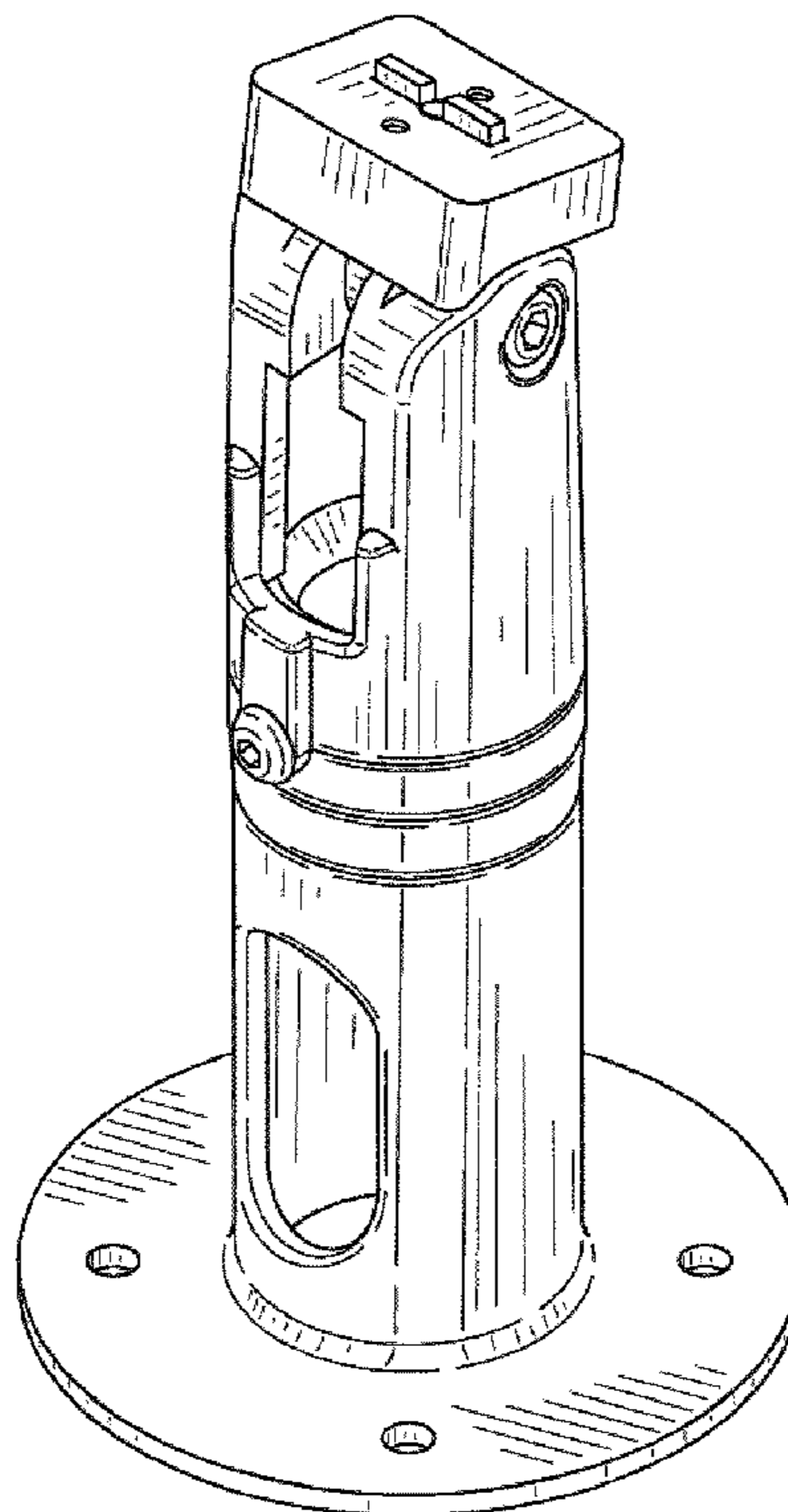
FIG. 4 is a front view thereof;

FIG. 5 is a back view thereof;

FIG. 6 is top view thereof; and,

FIG. 7 is a bottom view thereof.

**1 Claim, 4 Drawing Sheets**



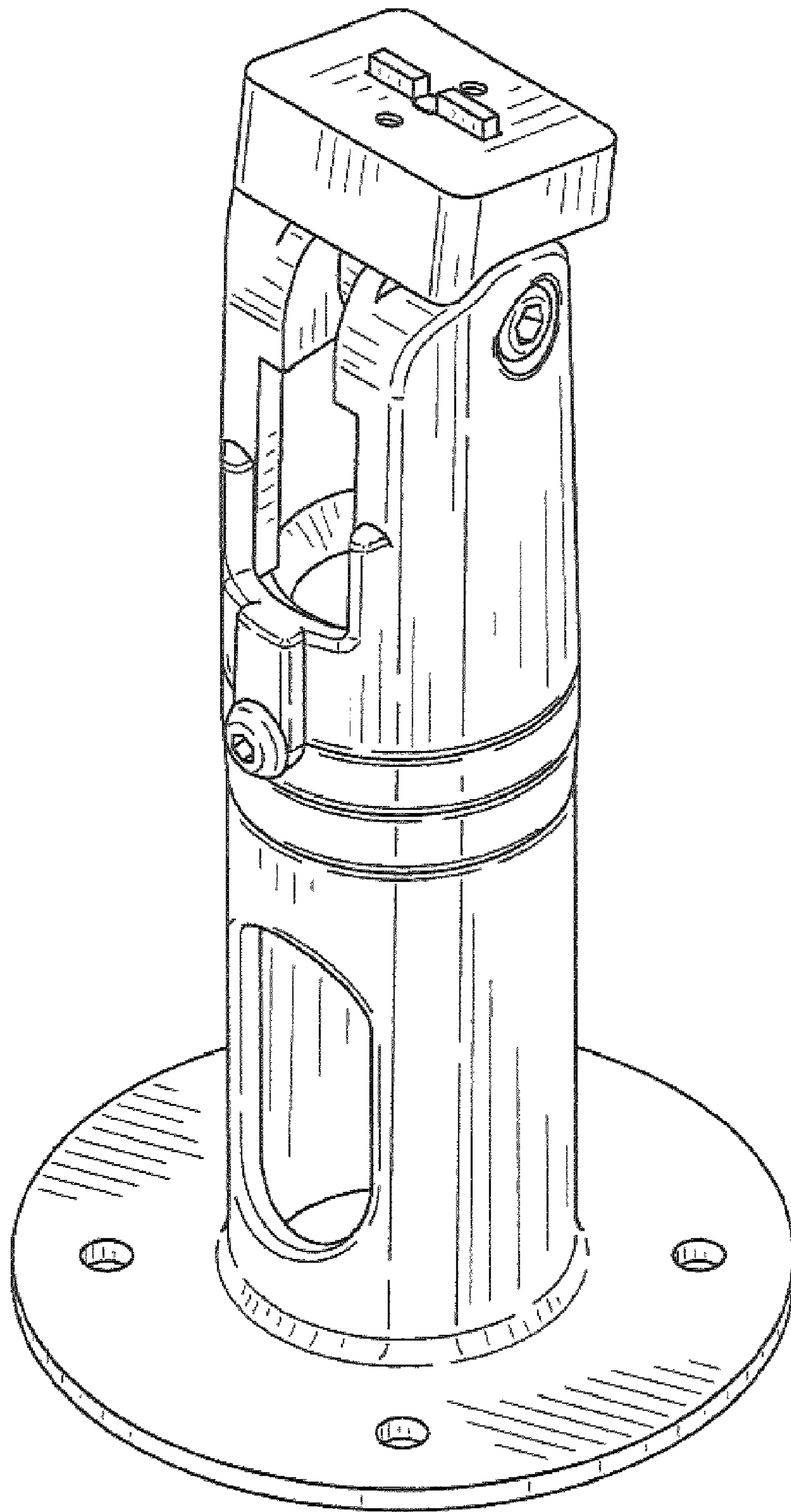


FIG. 1

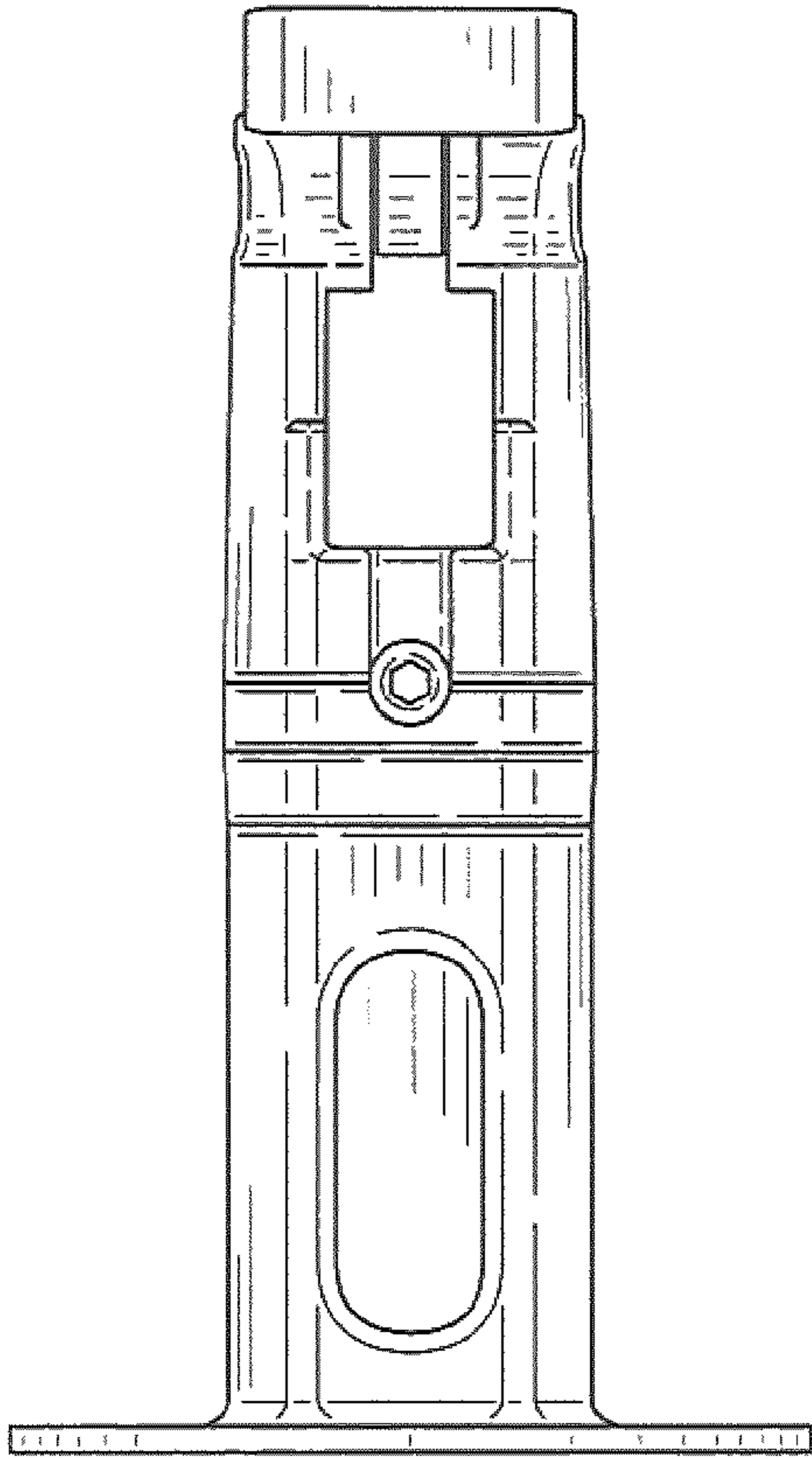


FIG. 2

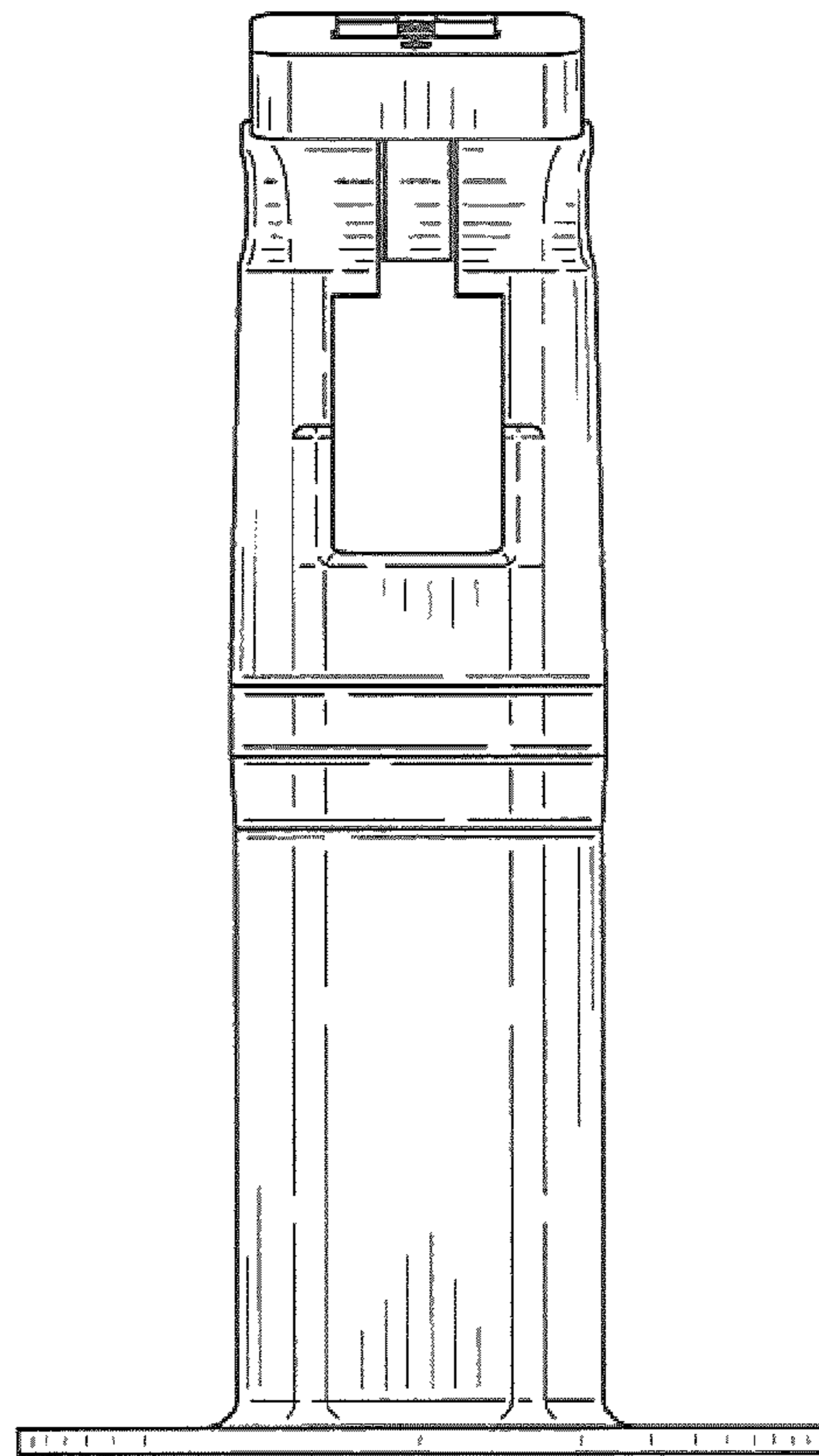


FIG. 3

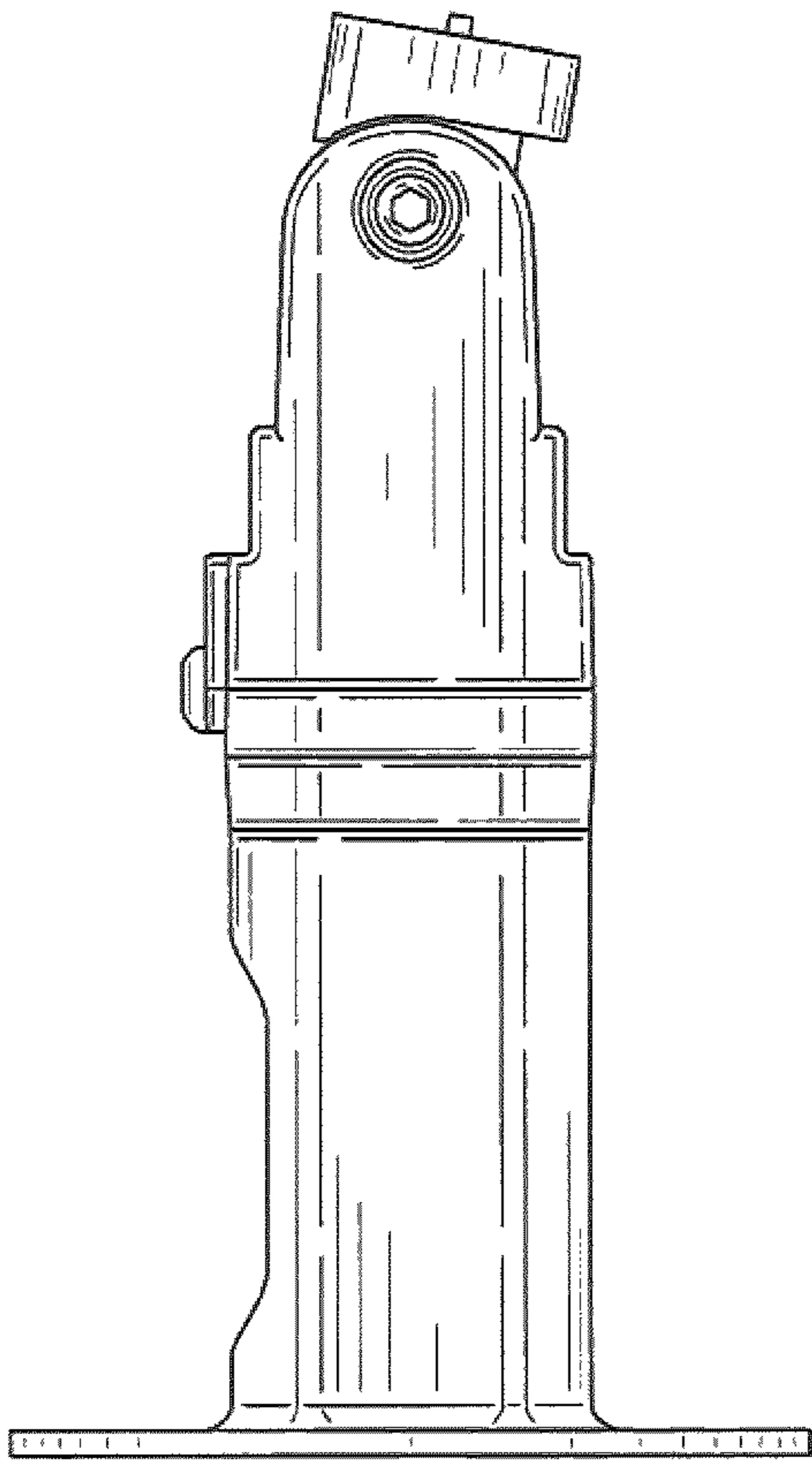


FIG. 4

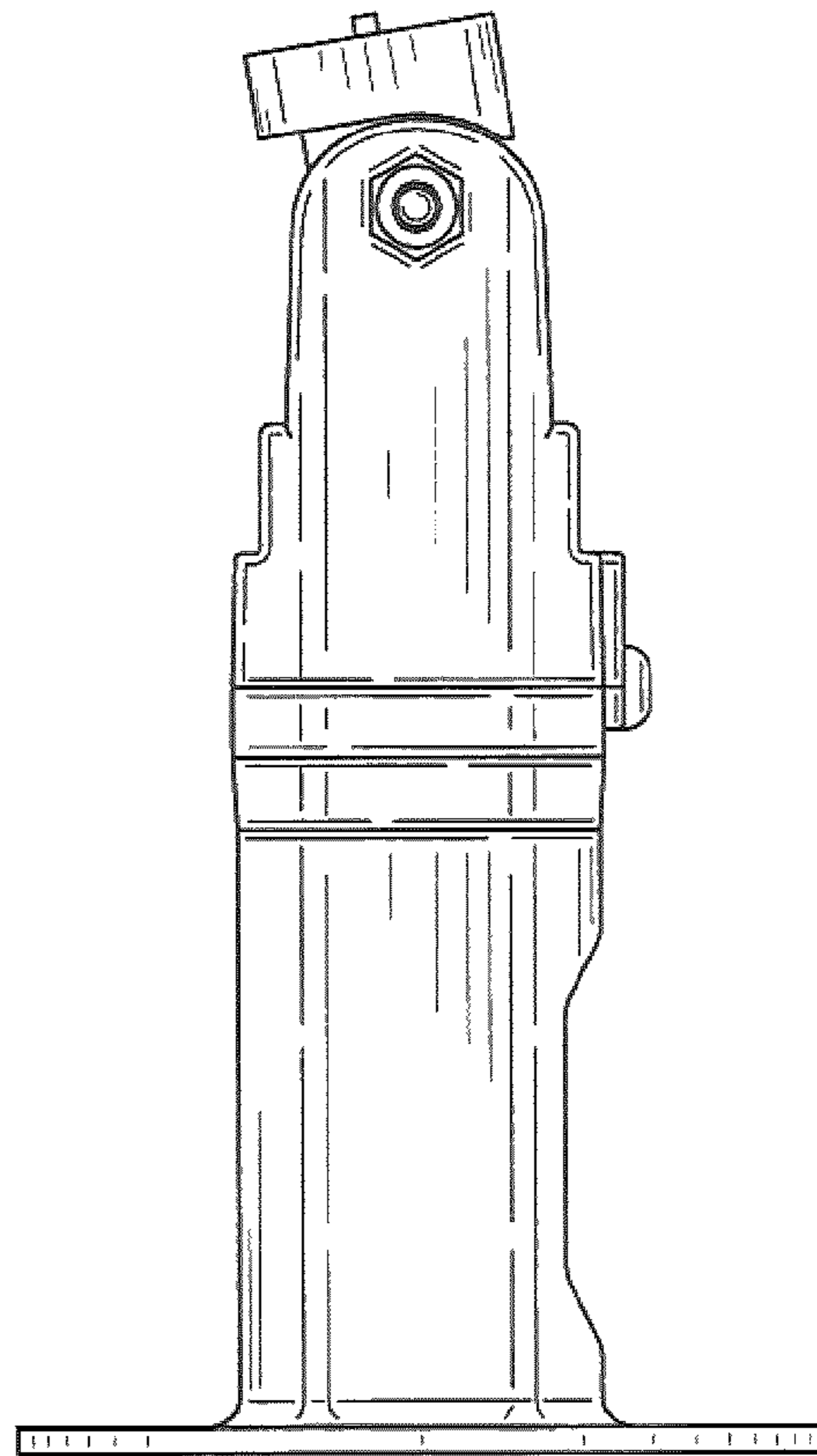


FIG. 5



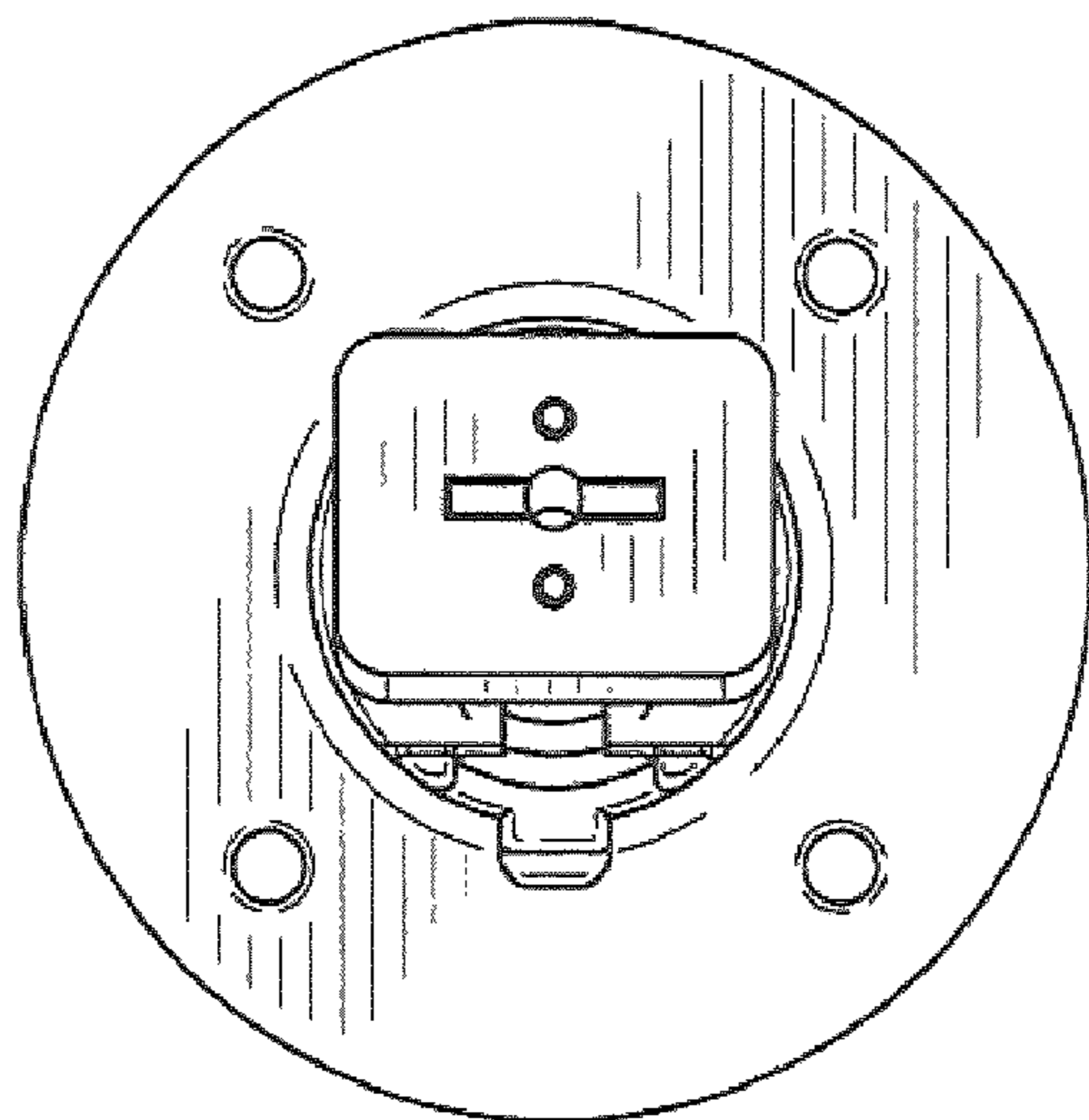


FIG. 6

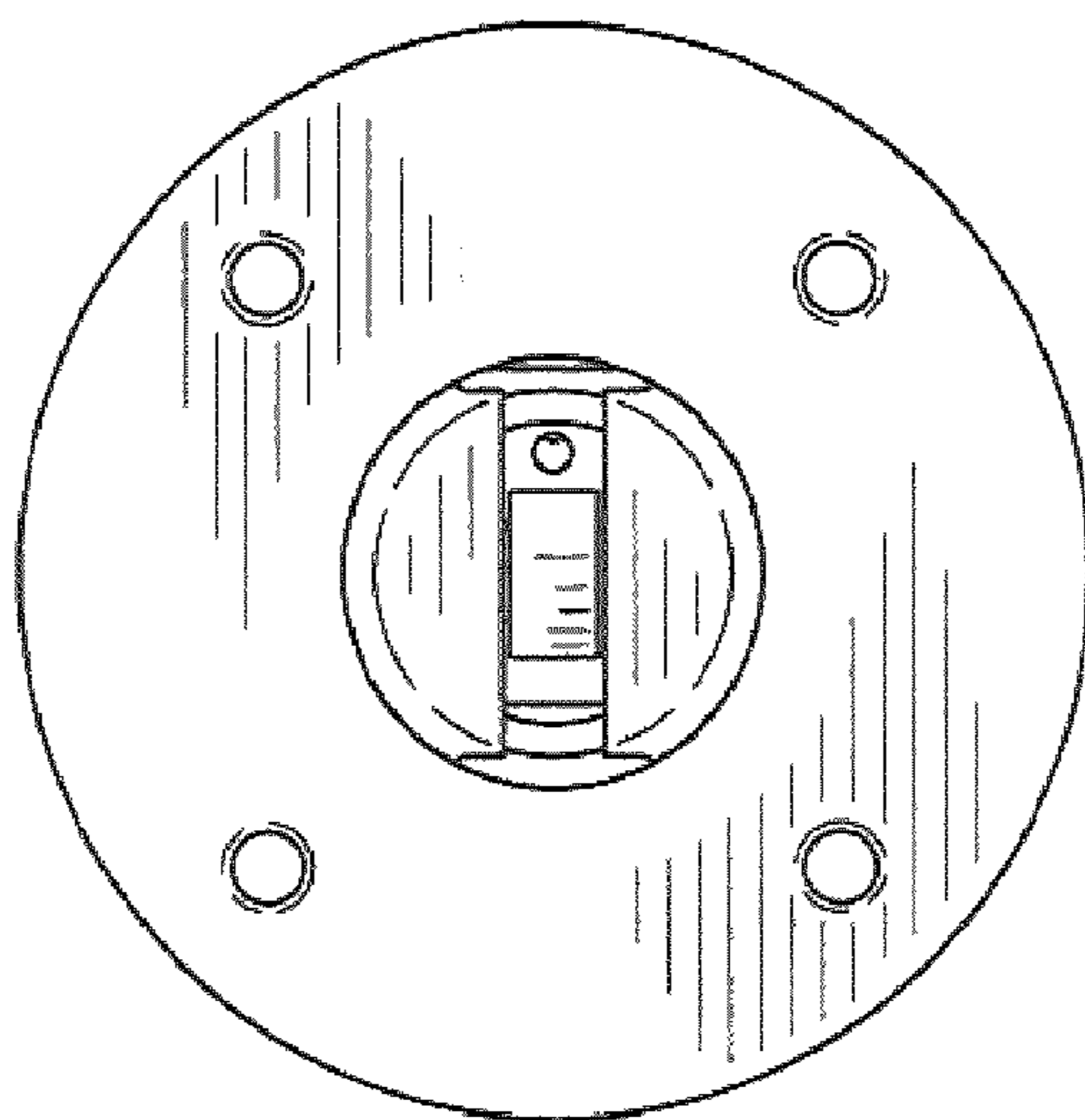


FIG. 7