



US00D629396S

(12) **United States Design Patent**
Andre et al.

(10) **Patent No.:** **US D629,396 S**
(45) **Date of Patent:** **** Dec. 21, 2010**

(54) **EAR PIECE**

(75) Inventors: **Bartley K. Andre**, Menlo Park, CA (US); **Daniel J. Coster**, San Francisco, CA (US); **Daniele De Iuliis**, San Francisco, CA (US); **Richard P. Howarth**, San Francisco, CA (US); **Jonathan P. Ive**, San Francisco, CA (US); **Duncan Robert Kerr**, San Francisco, CA (US); **Shin Nishibori**, Portola Valley, CA (US); **Matthew Dean Rohrbach**, San Francisco, CA (US); **Peter Russell-Clarke**, San Francisco, CA (US); **Douglas B. Satzger**, Menlo Park, CA (US); **Calvin Q. Seid**, Palo Alto, CA (US); **Christopher J. Stringer**, Woodside, CA (US); **Eugene Antony Whang**, San Francisco, CA (US); **Rico Zorkendorfer**, San Francisco, CA (US)

(73) Assignee: **Apple Inc.**, Cupertino, CA (US)

(**) Term: **14 Years**

(21) Appl. No.: **29/360,908**

(22) Filed: **May 3, 2010**

Related U.S. Application Data

(63) Continuation of application No. 29/339,483, filed on Jun. 30, 2009, now Pat. No. Des. 615,070, which is a continuation of application No. 29/321,427, filed on Jul. 16, 2008, now Pat. No. Des. 595,270, which is a continuation of application No. 29/270,881, filed on Jan. 5, 2007, now Pat. No. Des. 579,923.

(51) **LOC (9) Cl.** **14-01**

(52) **U.S. Cl.** **D14/223**

(58) **Field of Classification Search** D14/205, D14/206, 223; 181/129, 130; 379/430, 433.01, 379/433.02, 433.03; 381/380, 381; 455/575.2, 455/90.3

See application file for complete search history.

(56) **References Cited**

U.S. PATENT DOCUMENTS

1,556,966 A 10/1925 Selig
1,650,039 A 11/1927 Price
2,304,036 A 12/1942 Tegarty

(Continued)

FOREIGN PATENT DOCUMENTS

CN 200530058430.0 4/2005

(Continued)

OTHER PUBLICATIONS

English Translation of a search report for Taiwan Patent Application No. 096303170, dated Mar. 25, 2008.

(Continued)

Primary Examiner—Paula Greene

(74) *Attorney, Agent, or Firm*—Sterne, Kessler, Goldstein & Fox PLLC

(57) **CLAIM**

The ornamental design for an ear piece, as shown and described.

DESCRIPTION

FIG. 1 is a front perspective view of an ear piece showing our new design.

FIG. 2 is a front view thereof;

FIG. 3 is a rear view thereof;

FIG. 4 is a top plan view thereof;

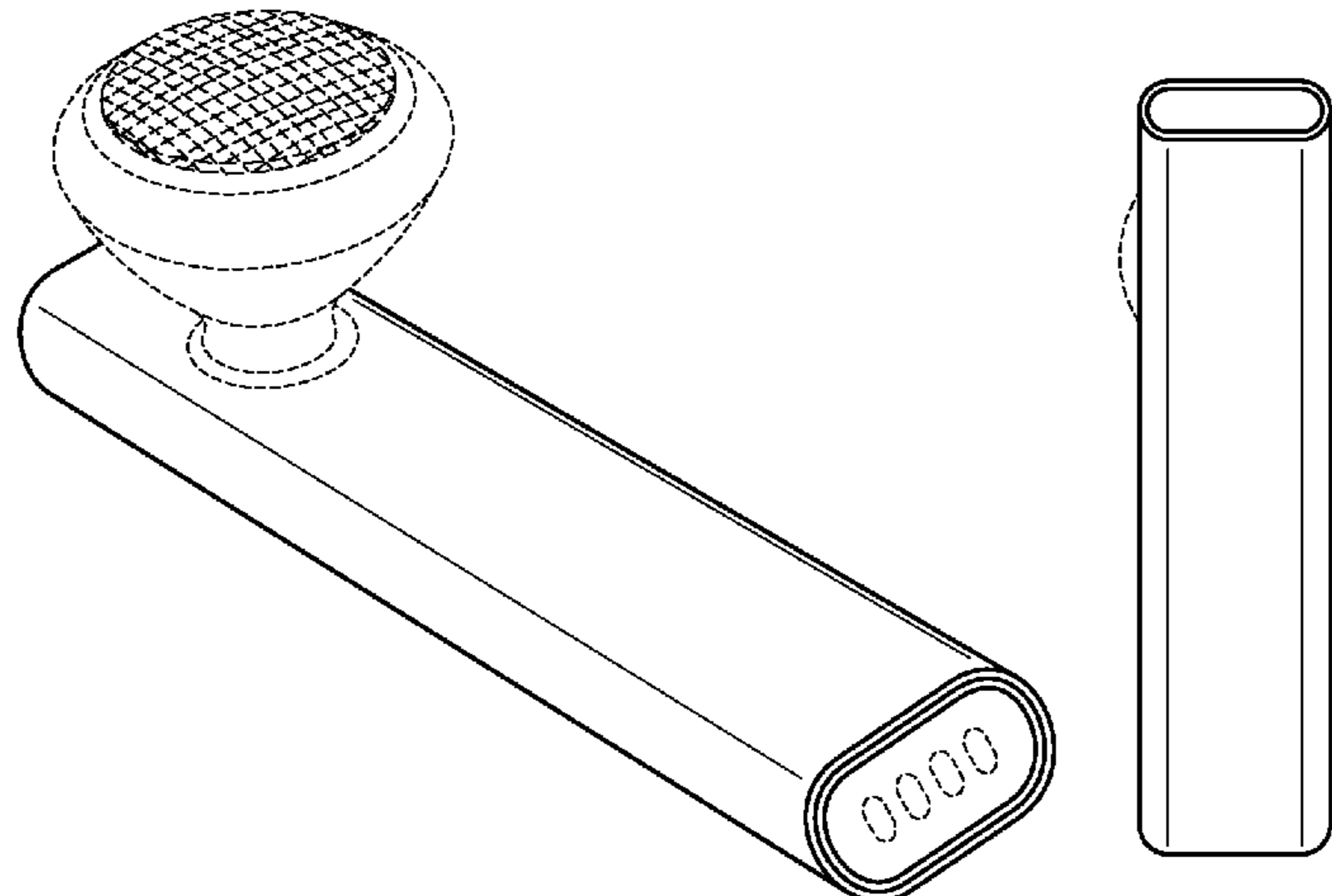
FIG. 5 is a bottom plan view thereof;

FIG. 6 is a right side view thereof; and,

FIG. 7 is a left side view thereof.

The broken lines in the Figures show portions of the ear piece which form no part of the claimed design.

1 Claim, 2 Drawing Sheets



U.S. PATENT DOCUMENTS

2,325,590 A 7/1943 Carlisle et al.
 D153,577 S 5/1949 Bland
 D172,313 S 5/1954 Rucker
 2,688,297 A 9/1954 Livermont et al.
 D179,458 S 12/1956 Ohno
 D210,990 S 5/1968 Schreckengost
 D270,634 S 9/1983 Ungar
 D278,234 S 4/1985 Saito
 4,588,867 A 5/1986 Konomi
 4,646,872 A 3/1987 Kamon et al.
 4,677,675 A 6/1987 Killion et al.
 D299,344 S 1/1989 Stevens
 4,893,344 A 1/1990 Tragardh et al.
 4,942,617 A 7/1990 Boylan
 D311,007 S 10/1990 Daido
 D316,550 S 4/1991 Sogabe
 D318,670 S 7/1991 Taniguchi et al.
 D318,864 S 8/1991 Daido et al.
 D318,865 S 8/1991 Ichikawa
 D326,655 S 6/1992 Iribe
 D331,057 S 11/1992 Isonaga
 5,185,802 A 2/1993 Stanton
 D334,043 S 3/1993 Taniguchi et al.
 D337,118 S 7/1993 Seikita
 D337,305 S 7/1993 Ross et al.
 D356,293 S 3/1995 Riley et al.
 D391,572 S 3/1998 Lee
 5,812,659 A 9/1998 Mauney et al.
 D410,079 S 5/1999 Falco et al.
 D430,139 S 8/2000 Peters et al.
 6,122,369 A 9/2000 Hwang et al.
 6,122,526 A 9/2000 Parulski et al.
 D432,523 S 10/2000 Grinkus et al.
 D438,525 S 3/2001 Katayama
 D441,735 S 5/2001 Katayama
 D446,499 S 8/2001 Andre et al.
 D454,110 S 3/2002 Andre et al.
 6,392,882 B1 5/2002 Chen et al.
 D469,753 S 2/2003 Andre et al.
 D473,207 S 4/2003 Tanio
 D503,409 S 3/2005 Wong et al.
 6,868,284 B2 3/2005 Bae
 D506,476 S 6/2005 Andre et al.

D506,744 S 6/2005 Andre et al.
 6,922,476 B2 7/2005 Nassimi
 D515,070 S 2/2006 Andre et al.
 D515,545 S 2/2006 Griffin
 D516,579 S 3/2006 Nakamura
 7,013,164 B2 3/2006 Lin
 D521,936 S 5/2006 Novotney et al.
 D527,723 S 9/2006 Andre et al.
 D533,540 S 12/2006 Murray
 D534,184 S 12/2006 Leija et al.
 D534,545 S 1/2007 Leija et al.
 D537,074 S 2/2007 Andre et al.
 D538,271 S 3/2007 Kim et al.
 D539,787 S 4/2007 Kim et al.
 D539,814 S 4/2007 Andre et al.
 D542,267 S 5/2007 Cha et al.
 D550,215 S 9/2007 Udagawa et al.
 D551,250 S 9/2007 Andre et al.
 D552,596 S 10/2007 Christopher
 D559,836 S 1/2008 Lee
 D562,309 S 2/2008 Choi et al.
 D566,103 S * 4/2008 Sade et al. D14/223
 D566,696 S 4/2008 Schmelling
 7,362,876 B2 4/2008 Tsai
 D568,876 S 5/2008 Tsai et al.
 D573,983 S 7/2008 Bang et al.
 D579,923 S 11/2008 Andre et al.
 D582,897 S * 12/2008 Christopher et al. D14/223
 D585,431 S * 1/2009 Bradford et al. D14/223
 D592,036 S 5/2009 Domin
 D595,270 S 6/2009 Andre et al.
 7,680,267 B2 * 3/2010 Bradford et al. 379/430
 D615,070 S * 5/2010 Andre et al. D14/223

FOREIGN PATENT DOCUMENTS

CN 3513646D 3/2006
 CN 3543434D 7/2006
 CN 3549064D 8/2006
 JP D1121650 9/2001
 TW D121118 12/1995

OTHER PUBLICATIONS

U.S. Appl. No. 29/339,483, titled "Ear Piece", filed Jun. 30, 2009.

* cited by examiner

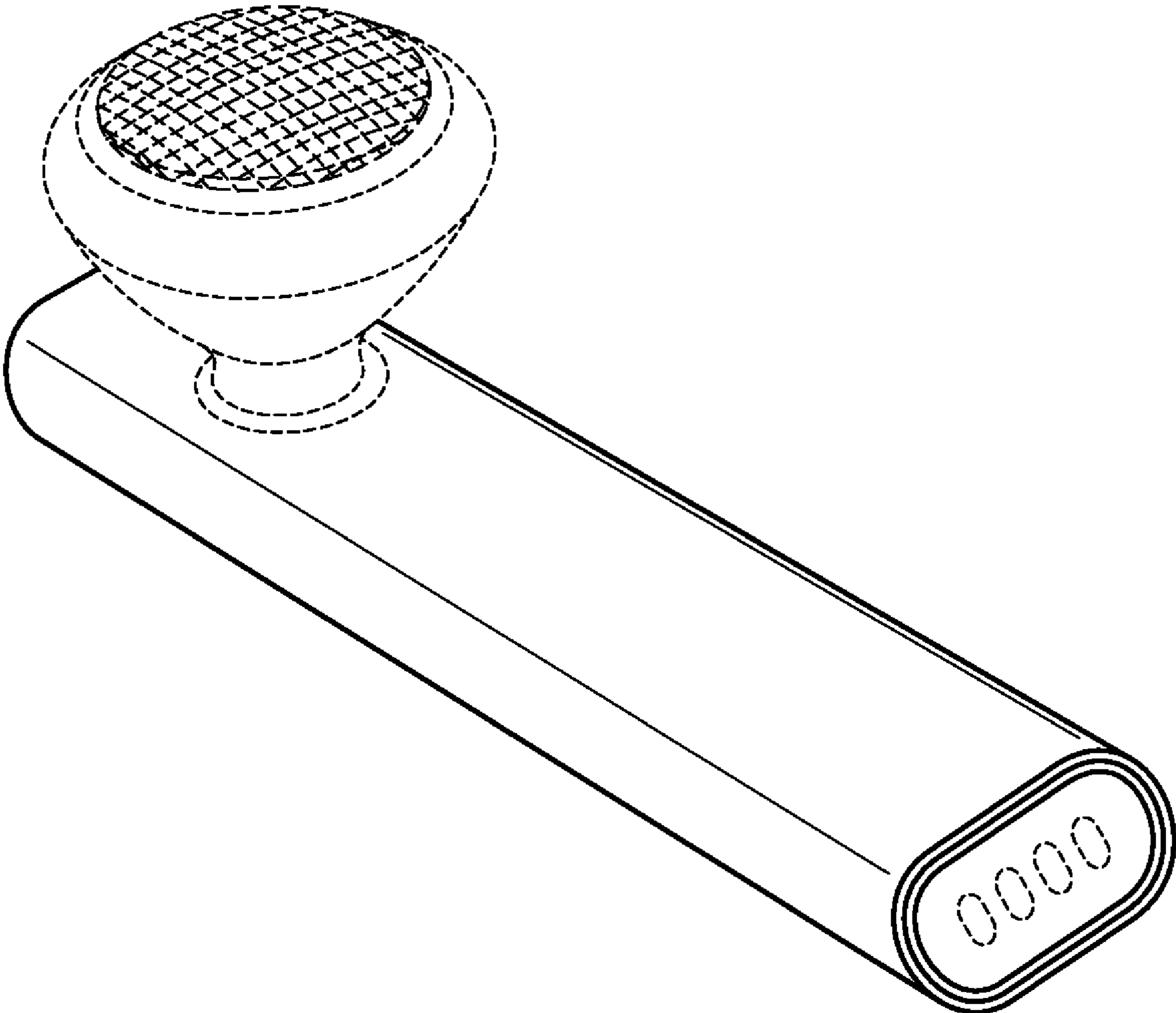


FIG. 1

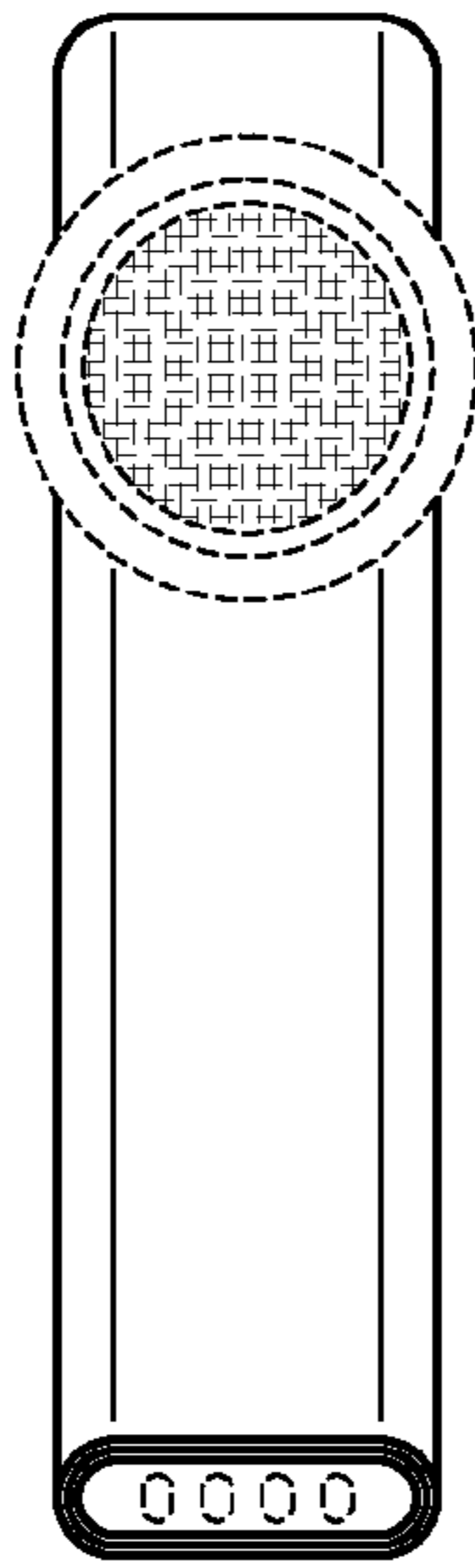


FIG. 2

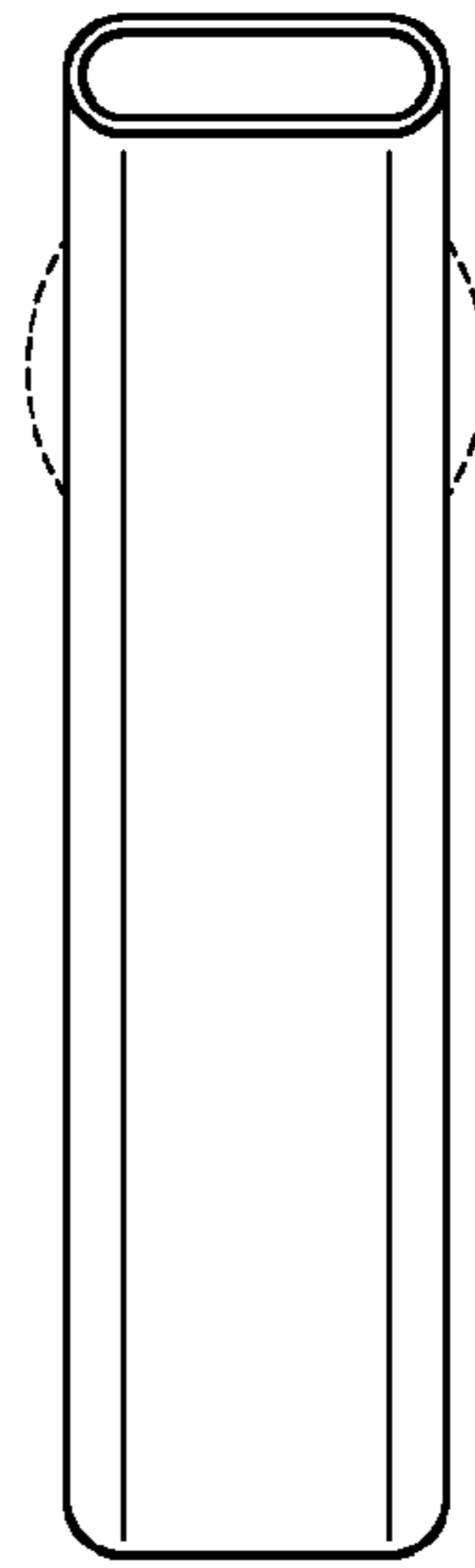


FIG. 3

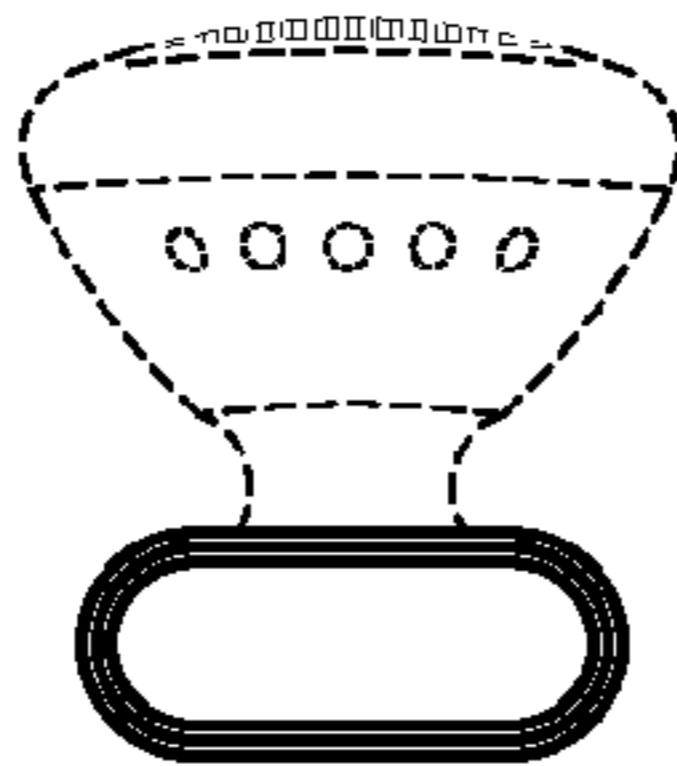


FIG. 4

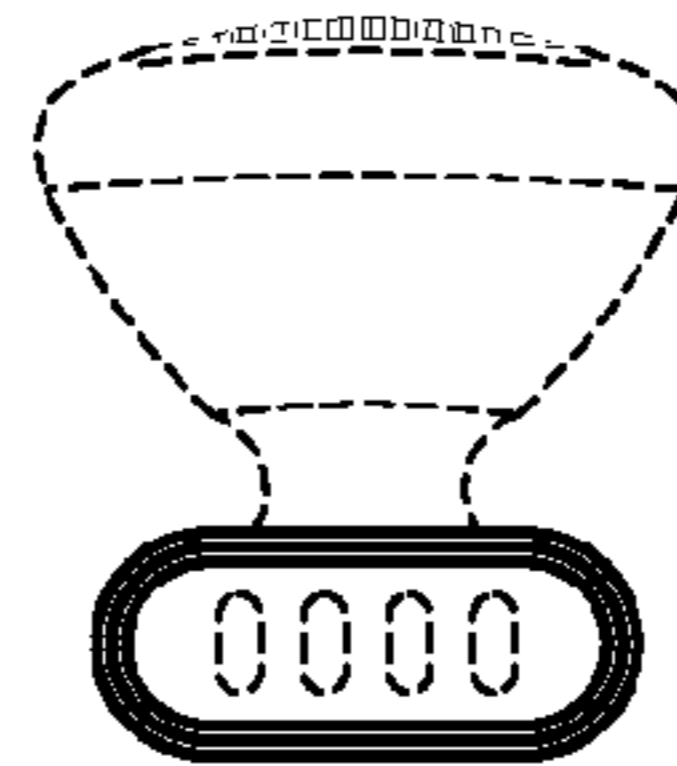


FIG. 5

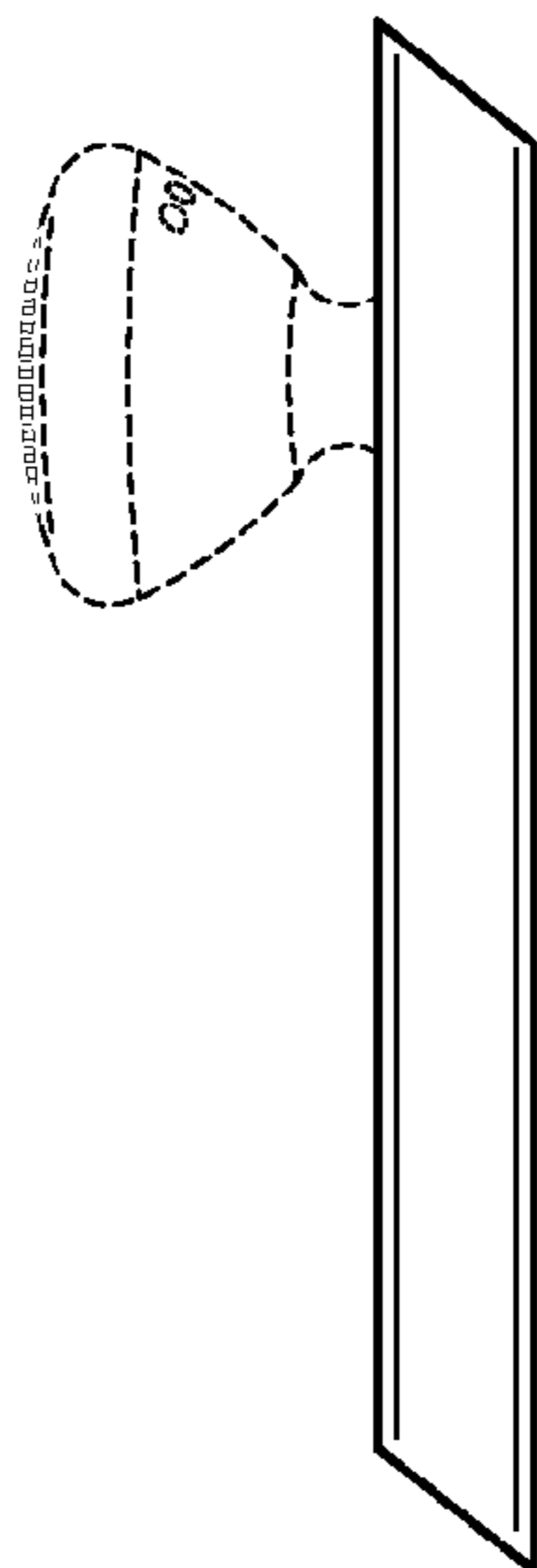


FIG. 6

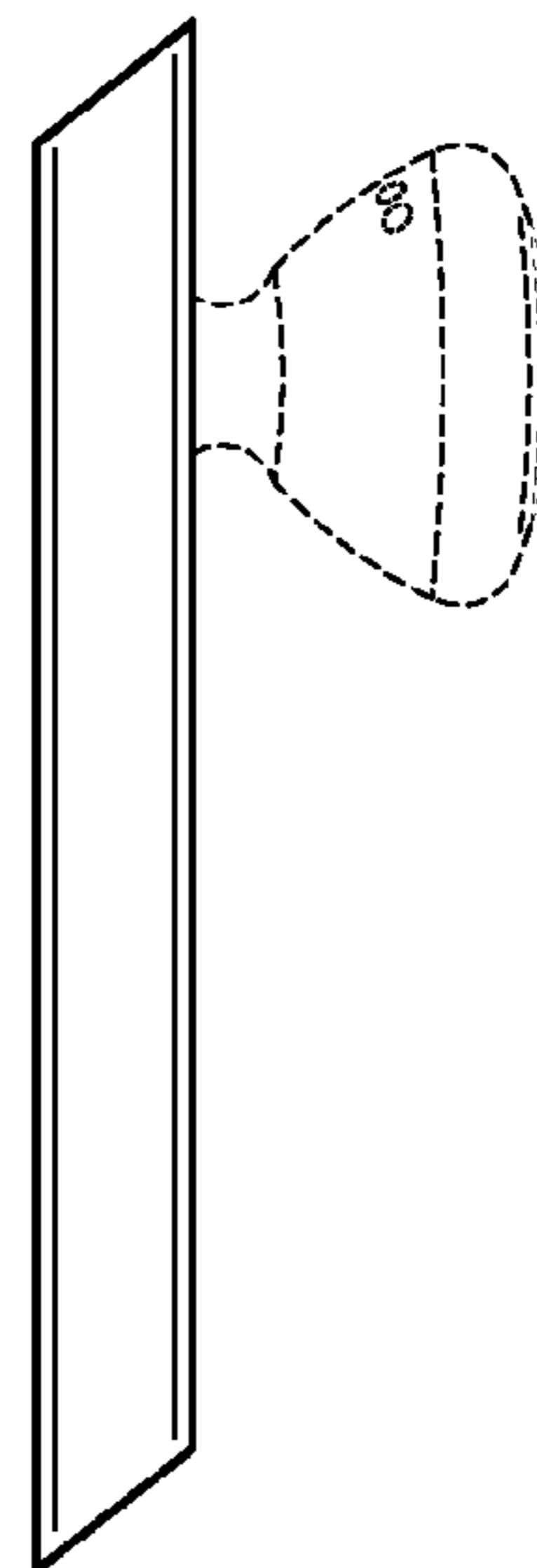


FIG. 7