



US00D629395S

(12) **United States Design Patent**  
**Lee et al.**

(10) **Patent No.:** **US D629,395 S**  
(45) **Date of Patent:** **\*\* Dec. 21, 2010**

(54) **EAR BUD FOR AN AUDIO LISTENING SYSTEM**

(75) Inventors: **Noel Lee**, Las Vegas, NV (US); **Dan Hua**, San Jose, CA (US)

(73) Assignee: **Monster Cable Products, Inc.**, Brisbane, CA (US)

(\*\*) Term: **14 Years**

(21) Appl. No.: **29/342,961**

(22) Filed: **Sep. 3, 2009**

(51) **LOC (9) Cl.** ..... **14-01**

(52) **U.S. Cl.** ..... **D14/223**

(58) **Field of Classification Search** ..... D14/205, D14/206, 223; 181/129, 130, 135; D24/106, D24/174; 379/430, 420.04, 420.03, 433.01, 379/433.04, 433.03; 381/380, 381; 128/864, 128/865; 455/569.1, 575.1, 90.3

See application file for complete search history.

(56) **References Cited**

**U.S. PATENT DOCUMENTS**

D299,454 S *	1/1989	Kwong	.....	D14/205
D323,643 S *	2/1992	Lee	.....	D13/133
D385,254 S *	10/1997	Owusu	.....	D13/133
D481,377 S *	10/2003	Eguchi	.....	D14/223
6,931,142 B2 *	8/2005	Fushimi	.....	381/325
D529,901 S *	10/2006	Ohta	.....	D14/223
D558,735 S *	1/2008	Carr et al.	.....	D14/206
D564,495 S *	3/2008	Sasaki	.....	D14/205
D567,217 S *	4/2008	Kamo et al.	.....	D14/205

D578,507 S *	10/2008	Ando	.....	D14/205
D587,681 S *	3/2009	Yanai	.....	D14/205
D605,628 S *	12/2009	Ando	.....	D14/205
D606,972 S *	12/2009	Schaefer	.....	D14/205
D607,875 S *	1/2010	Pedersen, II	.....	D14/206
D613,274 S *	4/2010	Lee et al.	.....	D14/225
D614,168 S *	4/2010	Rogers et al.	.....	D14/206

\* cited by examiner

*Primary Examiner*—Paula Greene

(74) *Attorney, Agent, or Firm*—LaRiviere, Grubman & Payne, LLP

(57) **CLAIM**

The ornamental design for an audio listening system, as shown and described.

**DESCRIPTION**

FIG. 1 is a front perspective view of an ear bud for an audio listening system showing our new design,

FIG. 2 is a side elevational view thereof;

FIG. 3 is an opposite side elevational view thereof;

FIG. 4 is a front elevational view thereof;

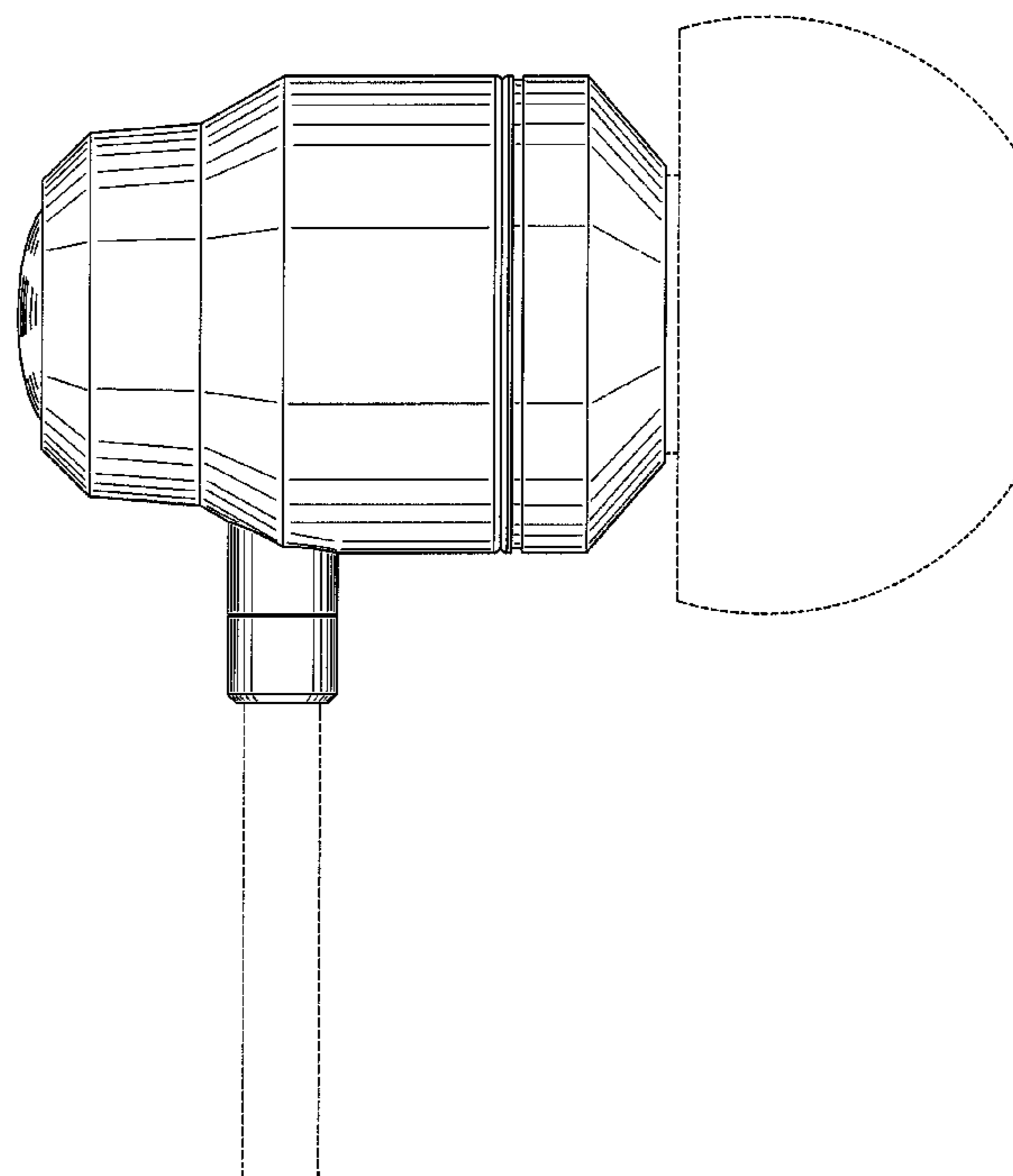
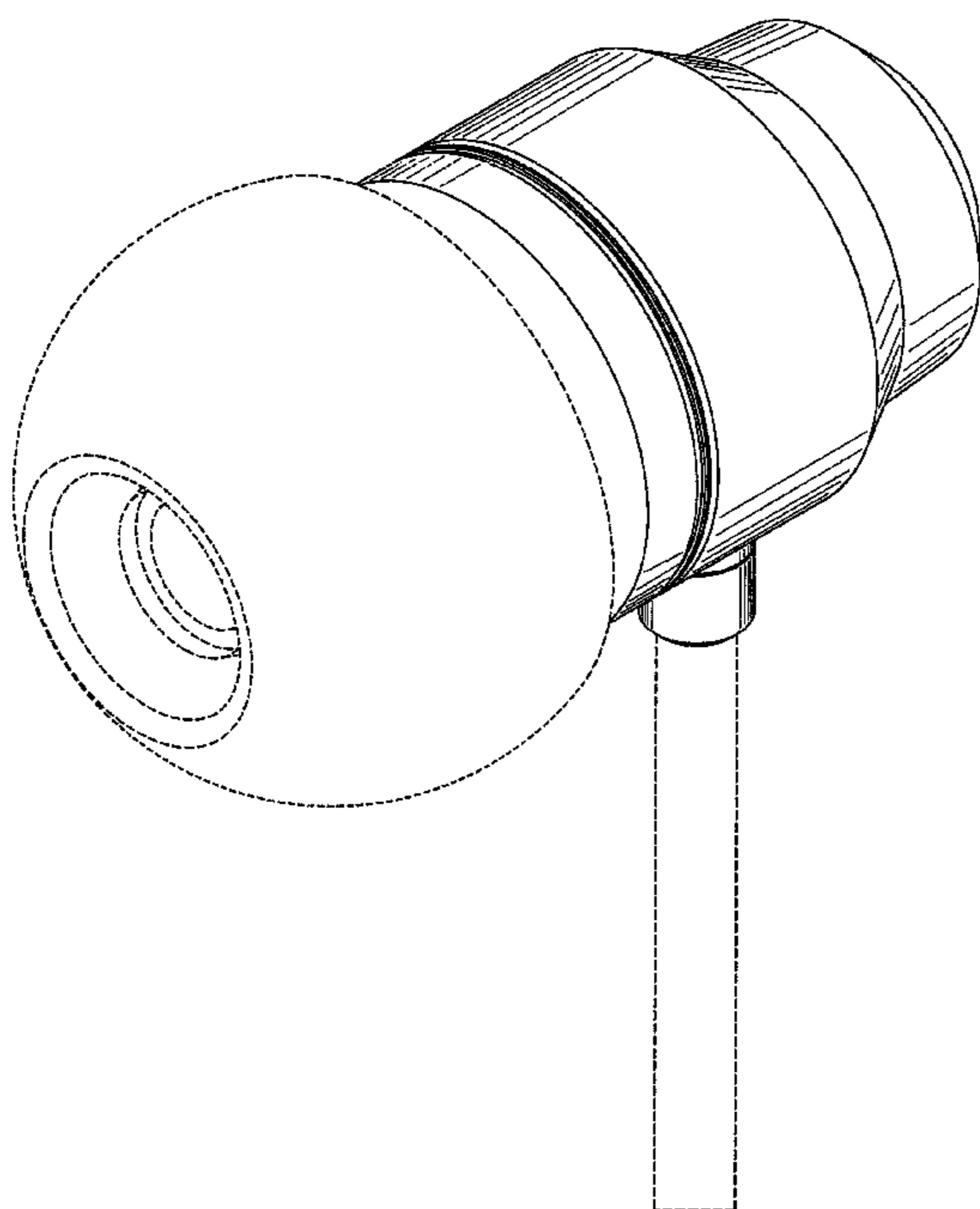
FIG. 5 is a back elevational view thereof;

FIG. 6 is a top plan view thereof; and,

FIG. 7 is a bottom plan view thereof.

The broken lines showing the environment in the Figures are for illustrative purposes only and form no part of the claimed design.

**1 Claim, 7 Drawing Sheets**



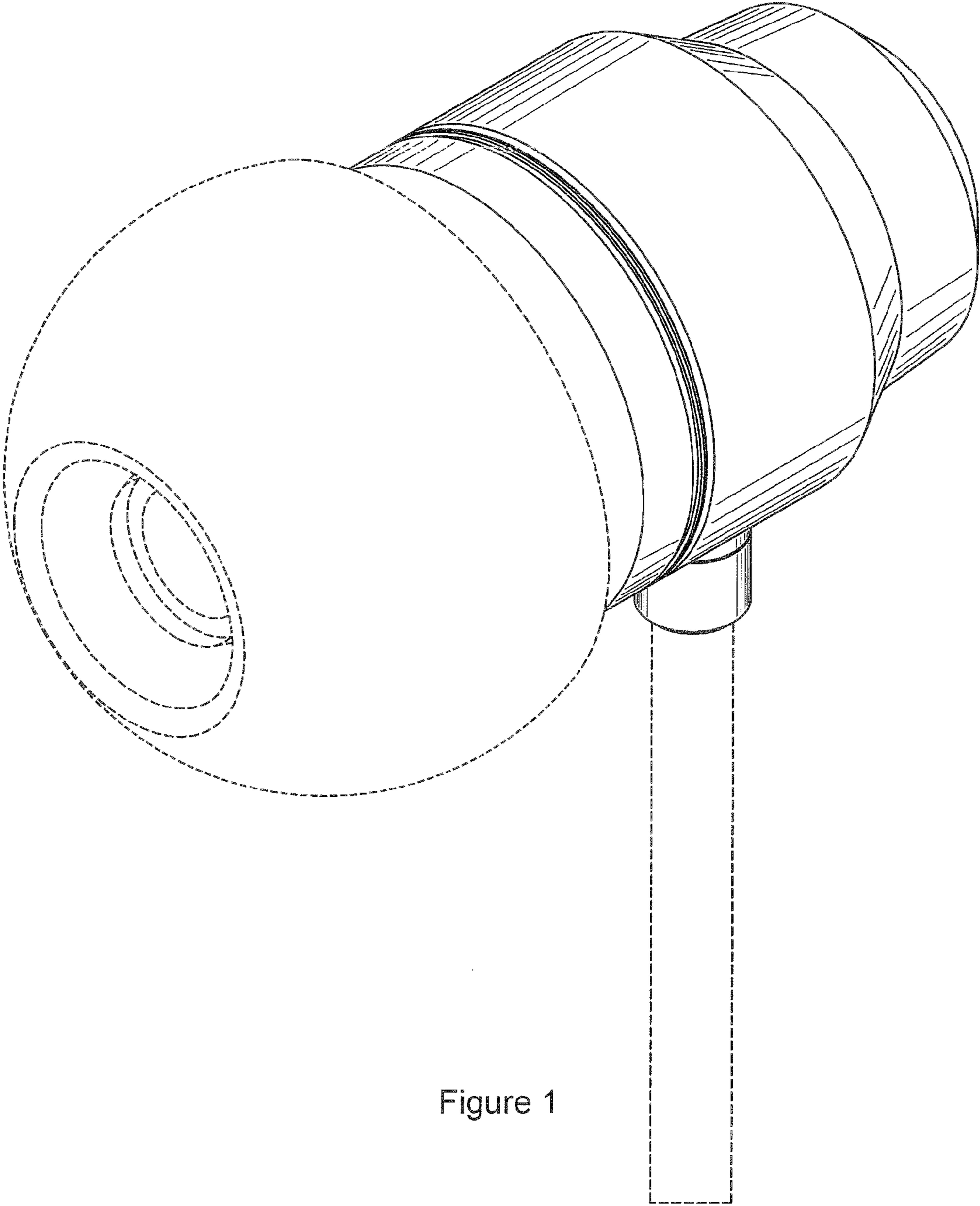


Figure 1

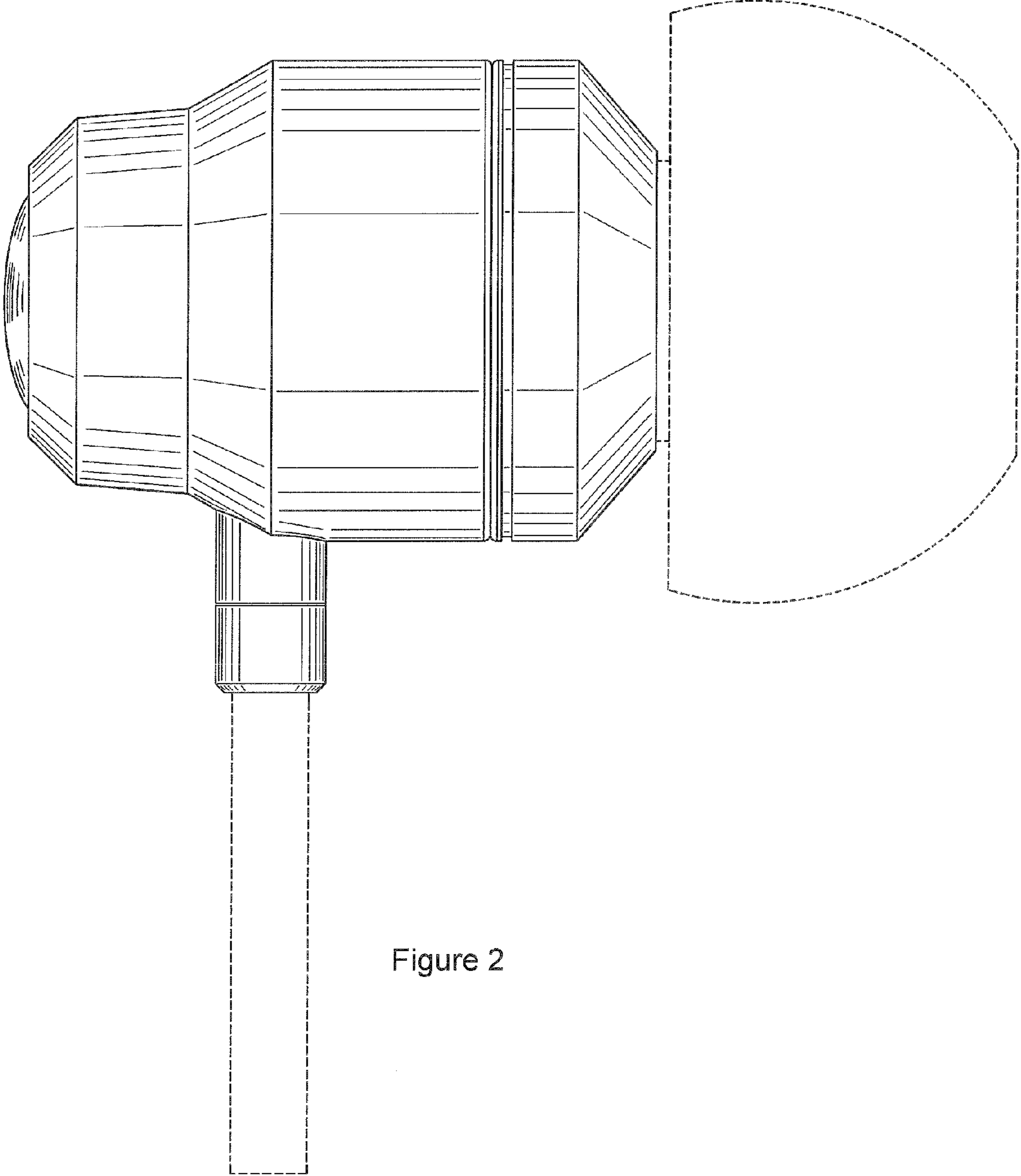


Figure 2

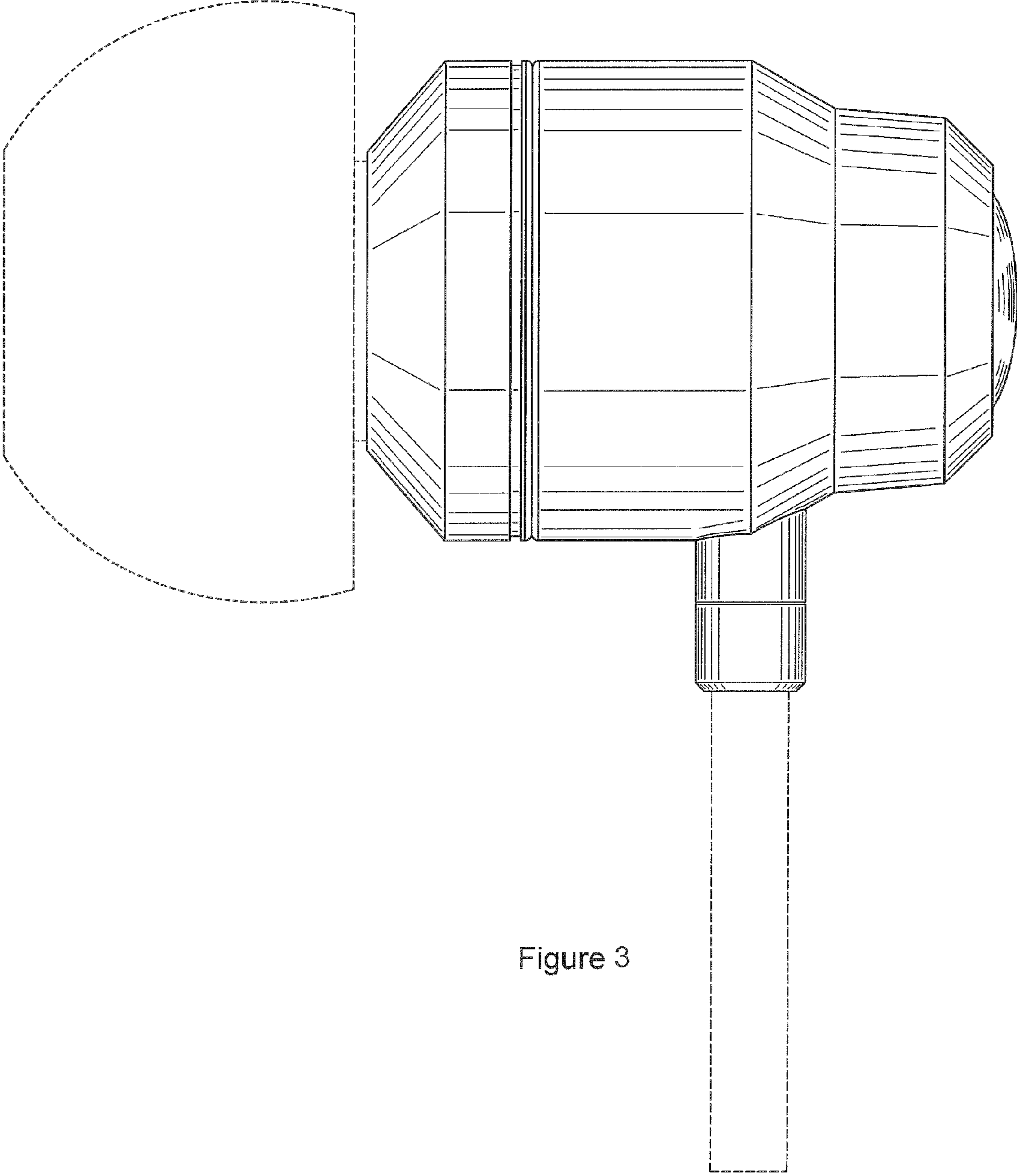


Figure 3

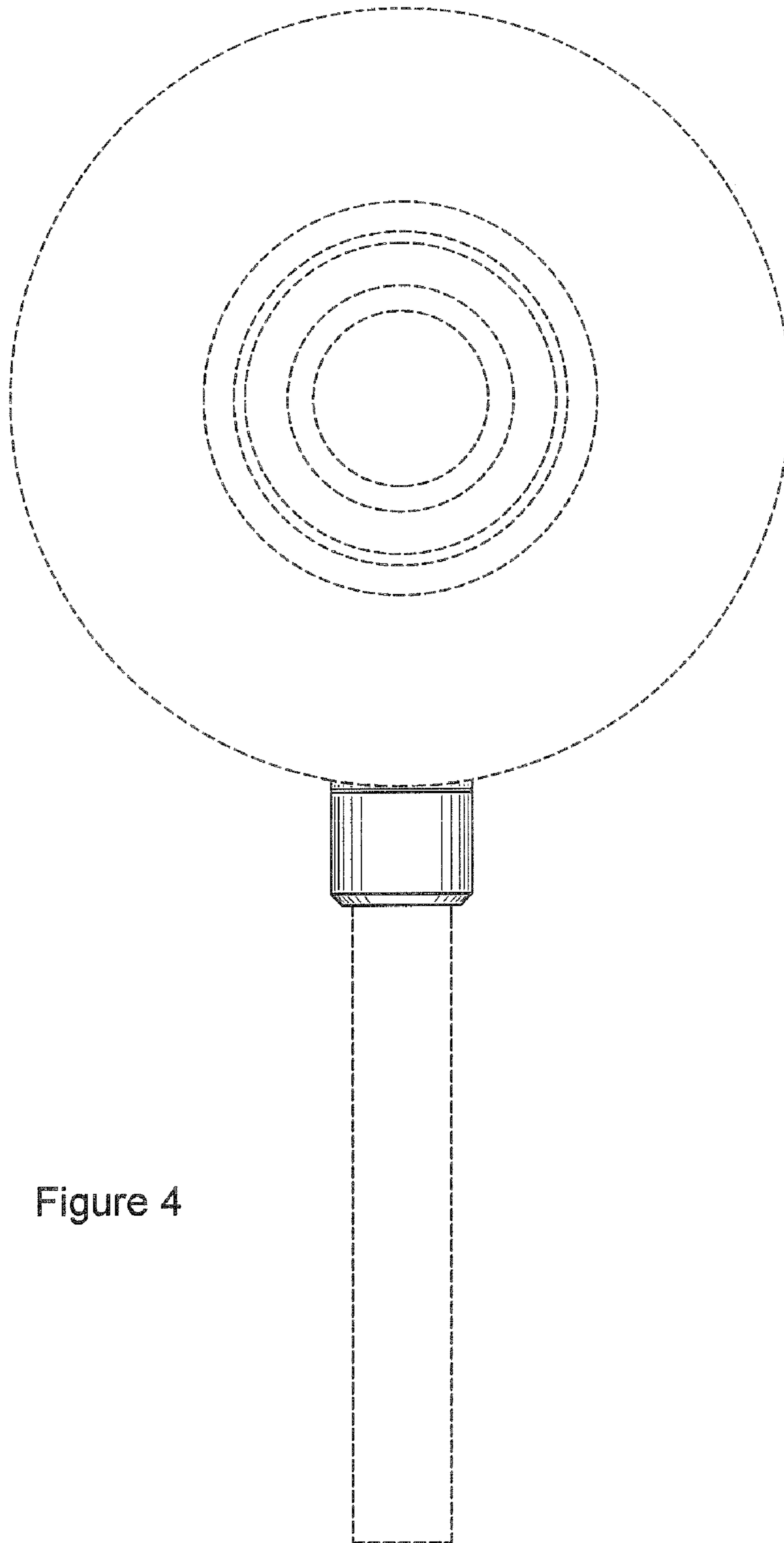


Figure 4

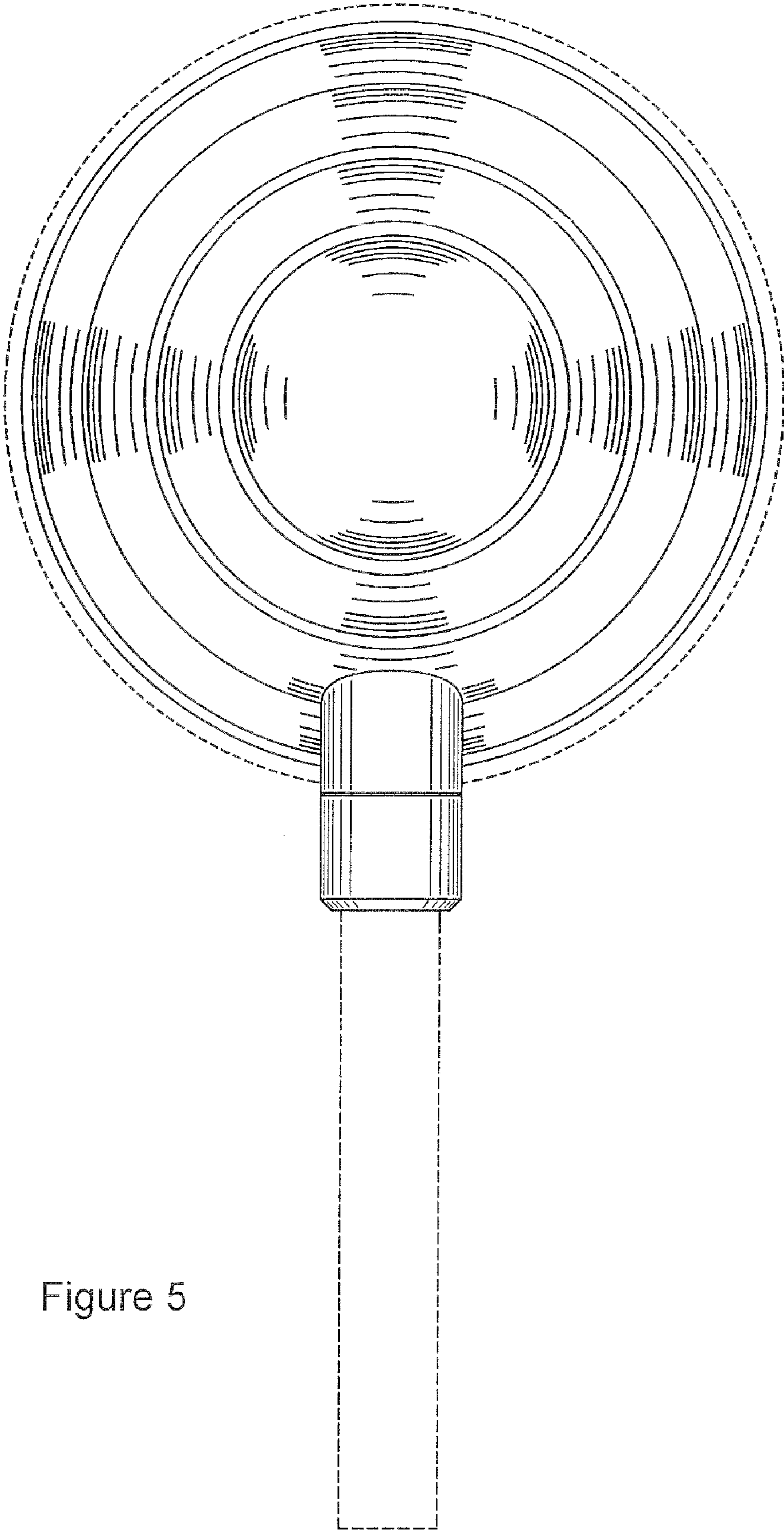


Figure 5

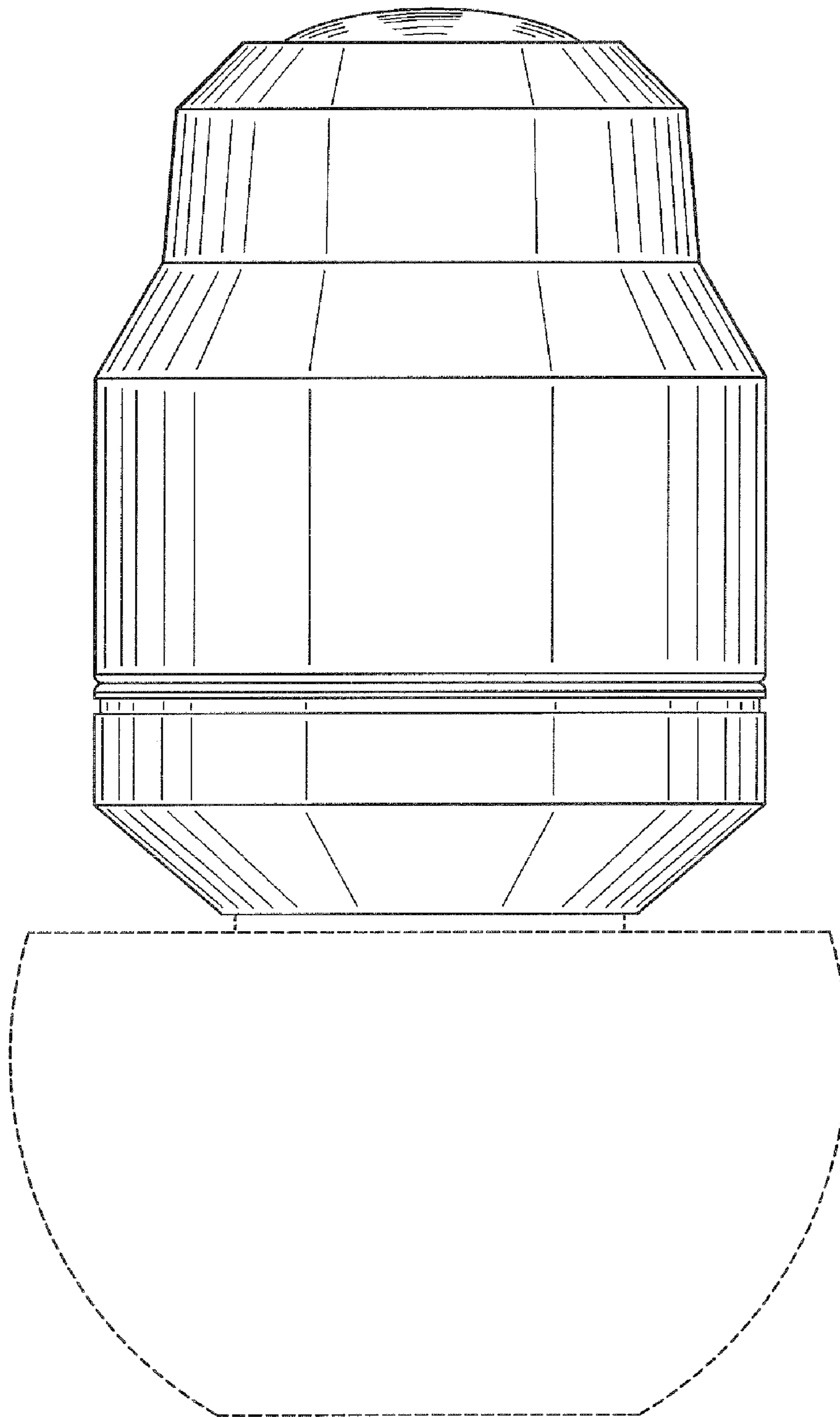


Figure 6

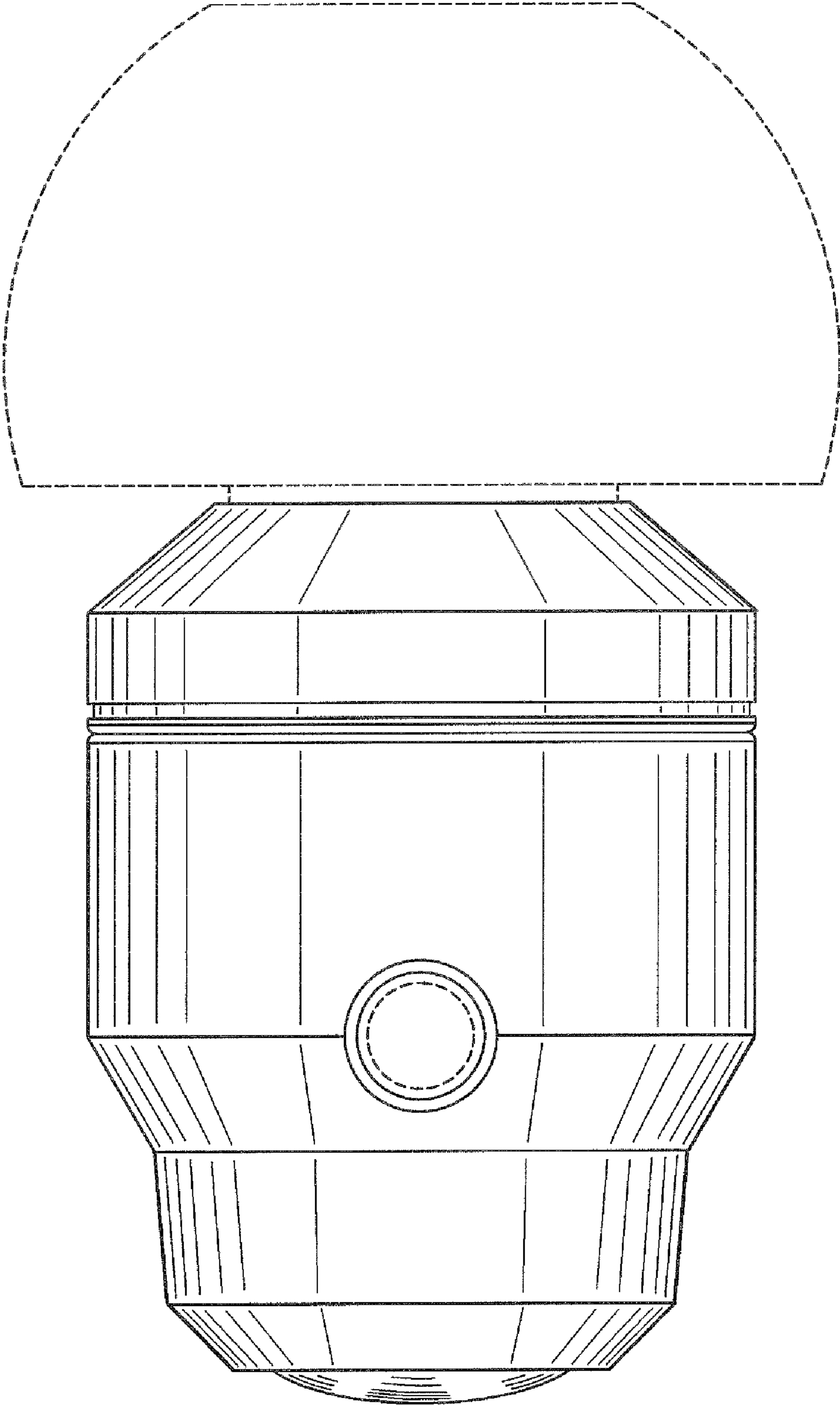


Figure 7