



US00D629391S

(12) **United States Design Patent**
Solomon et al.

(10) **Patent No.:** **US D629,391 S**
(45) **Date of Patent:** **** Dec. 21, 2010**

(54) **PERSONAL AUDIO DOCKING STATION**

(75) Inventors: **Michael Solomon**, Ross, CA (US);
Chris Kyriakakis, Altadena, CA (US);
Andrew Dow Turner, Los Angeles, CA
(US); **Alex Rasmussen**, Santa Barbara,
CA (US); **Ted White**, Goleta, CA (US);
Brad Babineaux, Santa Barbara, CA
(US); **Merrick Mosst**, Los Angeles, CA
(US); **Tyson Osborne Yaberg**,
Camarillo, CA (US)

(73) Assignee: **Audyssey Laboratories, Inc.**, Los
Angeles, CA (US)

(**) Term: **14 Years**

(21) Appl. No.: **29/346,451**

(22) Filed: **Oct. 30, 2009**

(51) **LOC (9) Cl.** **14-02**

(52) **U.S. Cl.** **D14/217**

(58) **Field of Classification Search** D14/142,
D14/149, 155, 157, 188, 191-193, 203.1-203.8,
D14/217, 251, 253, 432-435.1, 447, 451,
D14/496, 474, 480.1-480.7; D13/107, 108,
D13/118; D3/218; 248/221.11, 309.1; 320/107,
320/110, 113-115; 361/600; 439/529, 534;
455/556.1-556.2, 557

See application file for complete search history.

(56) **References Cited**

U.S. PATENT DOCUMENTS

D433,992 S * 11/2000 Luecke D13/108

D453,731 S * 2/2002 Hauptli D13/108
D493,780 S * 8/2004 Chan et al. D14/240
D509,789 S * 9/2005 Motoishi D13/108
D516,022 S * 2/2006 Winkler D13/108
D549,647 S * 8/2007 Nishizawa D13/108
D577,710 S * 9/2008 Joseph D14/204
D616,411 S * 5/2010 Garrett D14/171

* cited by examiner

Primary Examiner—Stella M Reid

Assistant Examiner—Keli L Hill

(74) *Attorney, Agent, or Firm*—Kenneth L. Green

(57) **CLAIM**

The ornamental design for a personal audio docking station,
as shown.

DESCRIPTION

FIG. 1 is a front perspective view of the personal audio
docking station.

FIG. 2 is a side view of the design of the personal audio
docking station.

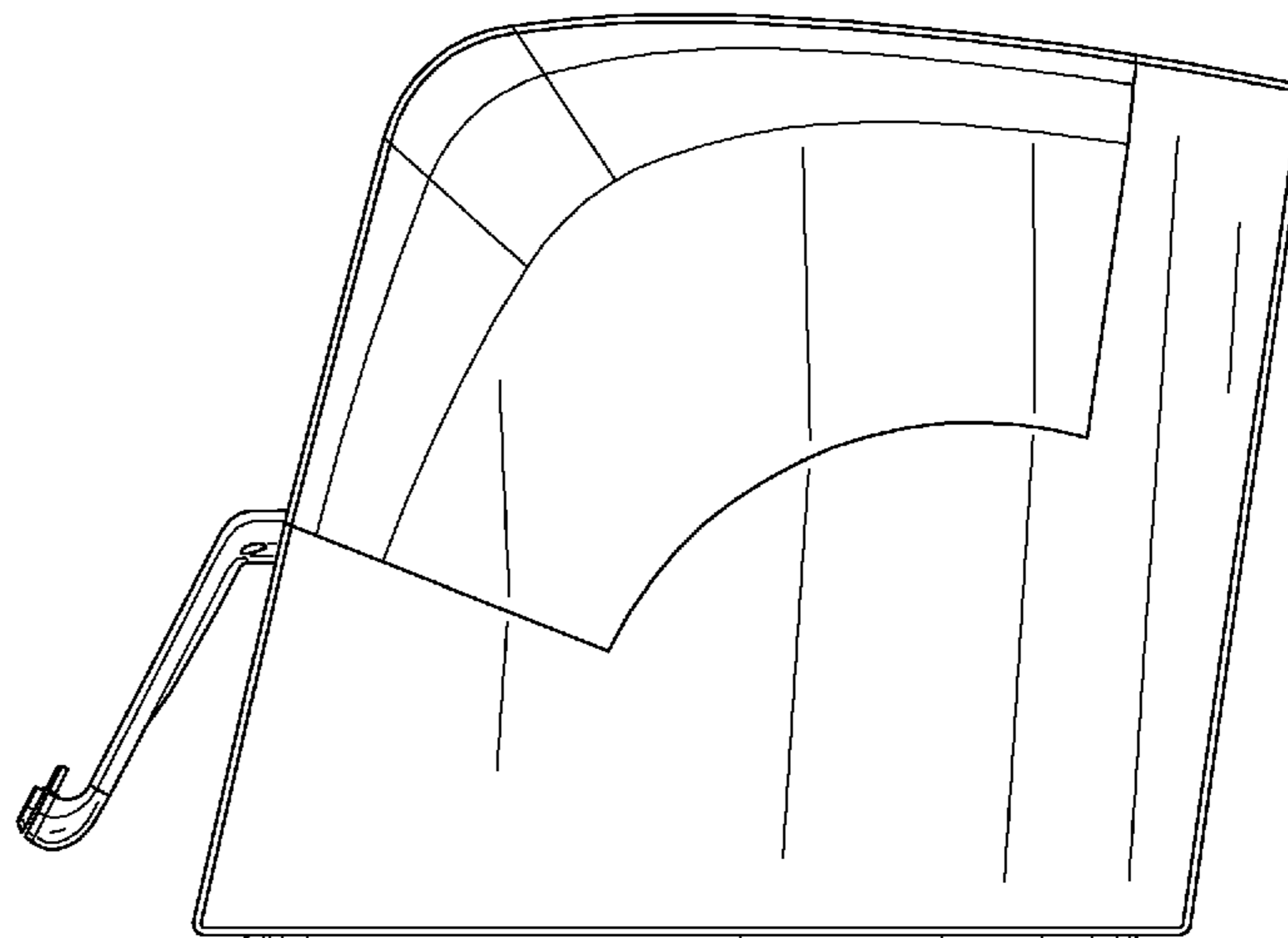
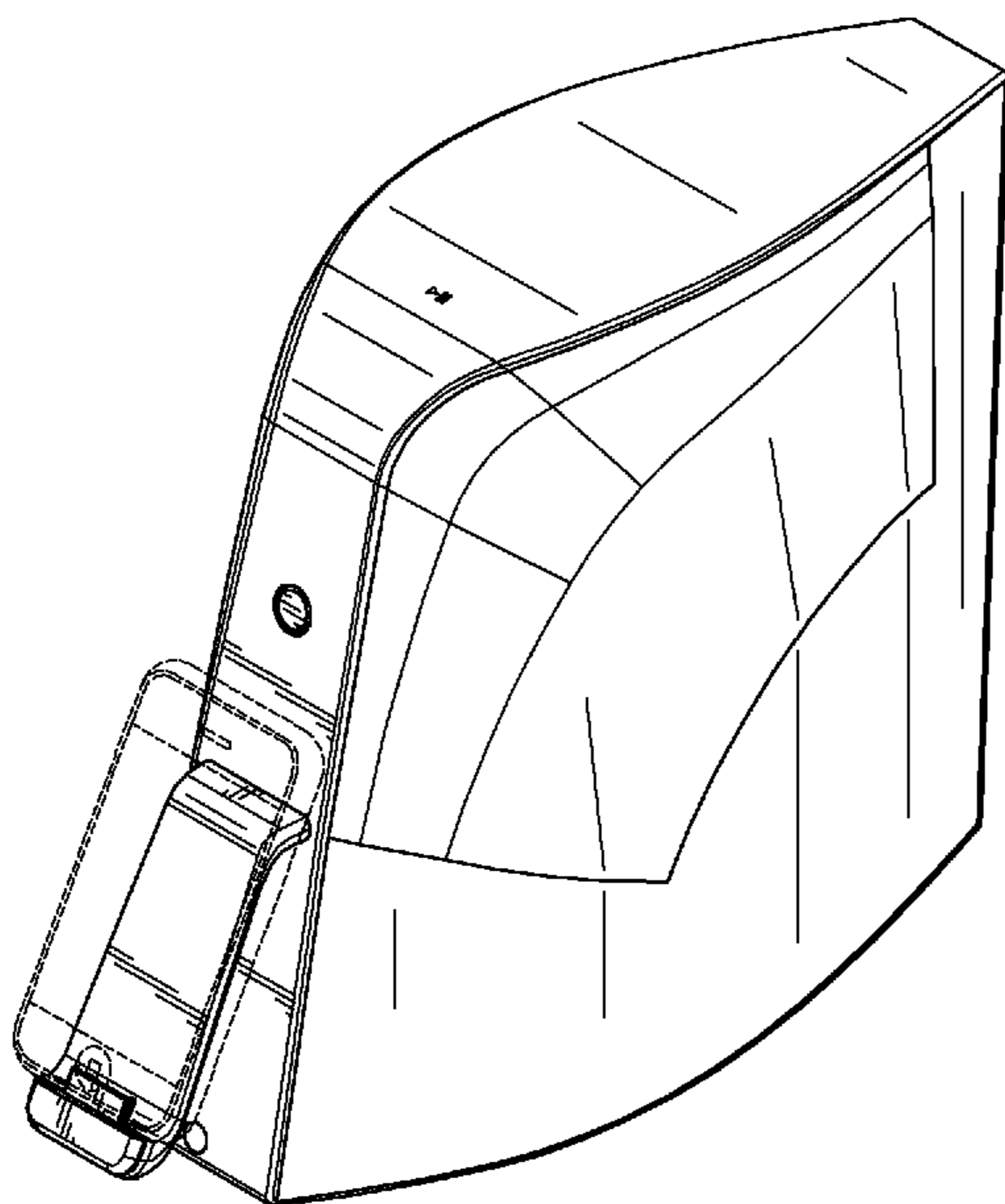
FIG. 3 is a front view of the design of the personal audio
docking station.

FIG. 4 is a rear view of the design of the personal audio
docking station.

FIG. 5 is a top view of the design of the personal audio
docking station; and,

FIG. 6 is a bottom view of the design of the personal audio
docking station.

1 Claim, 3 Drawing Sheets



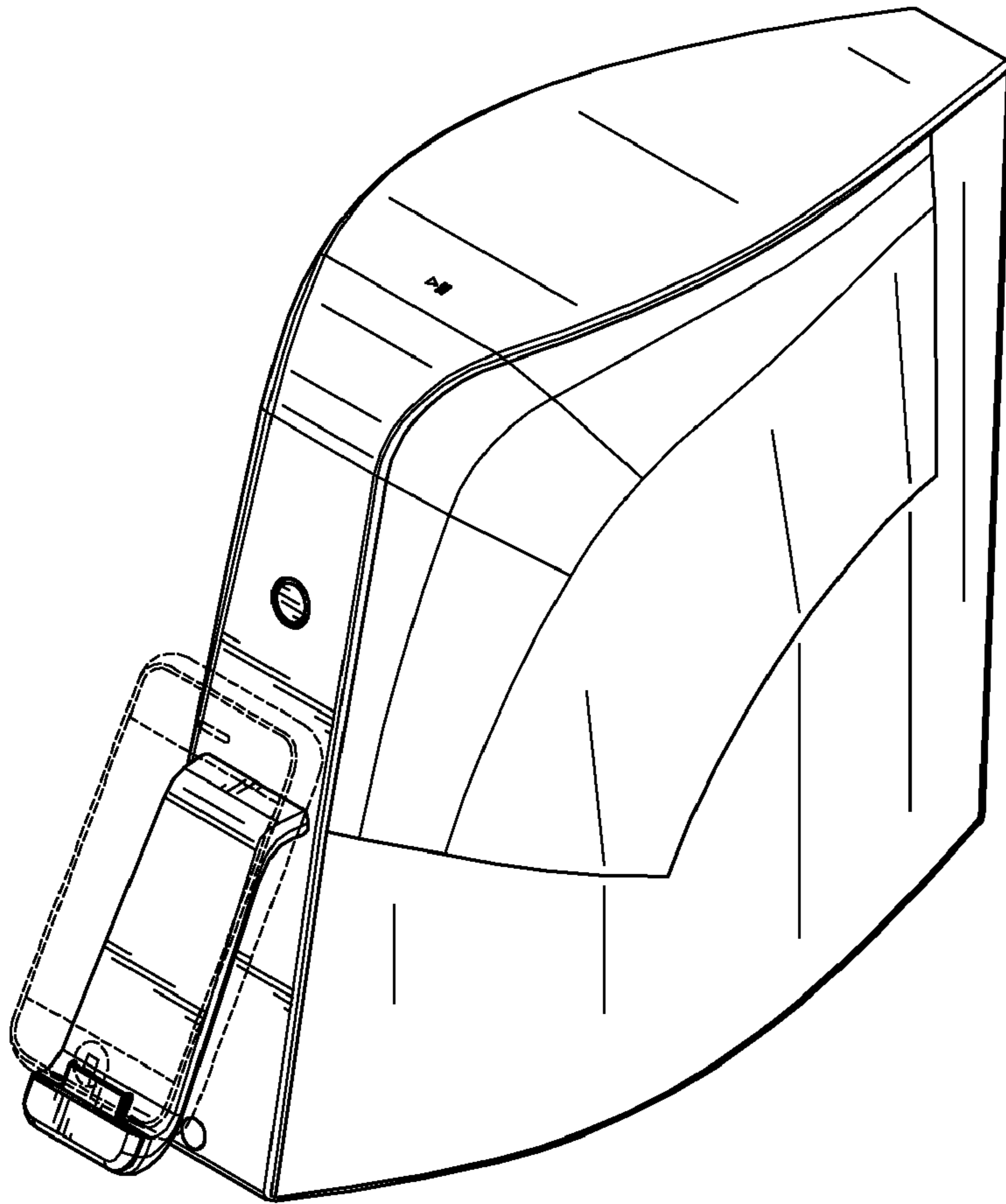
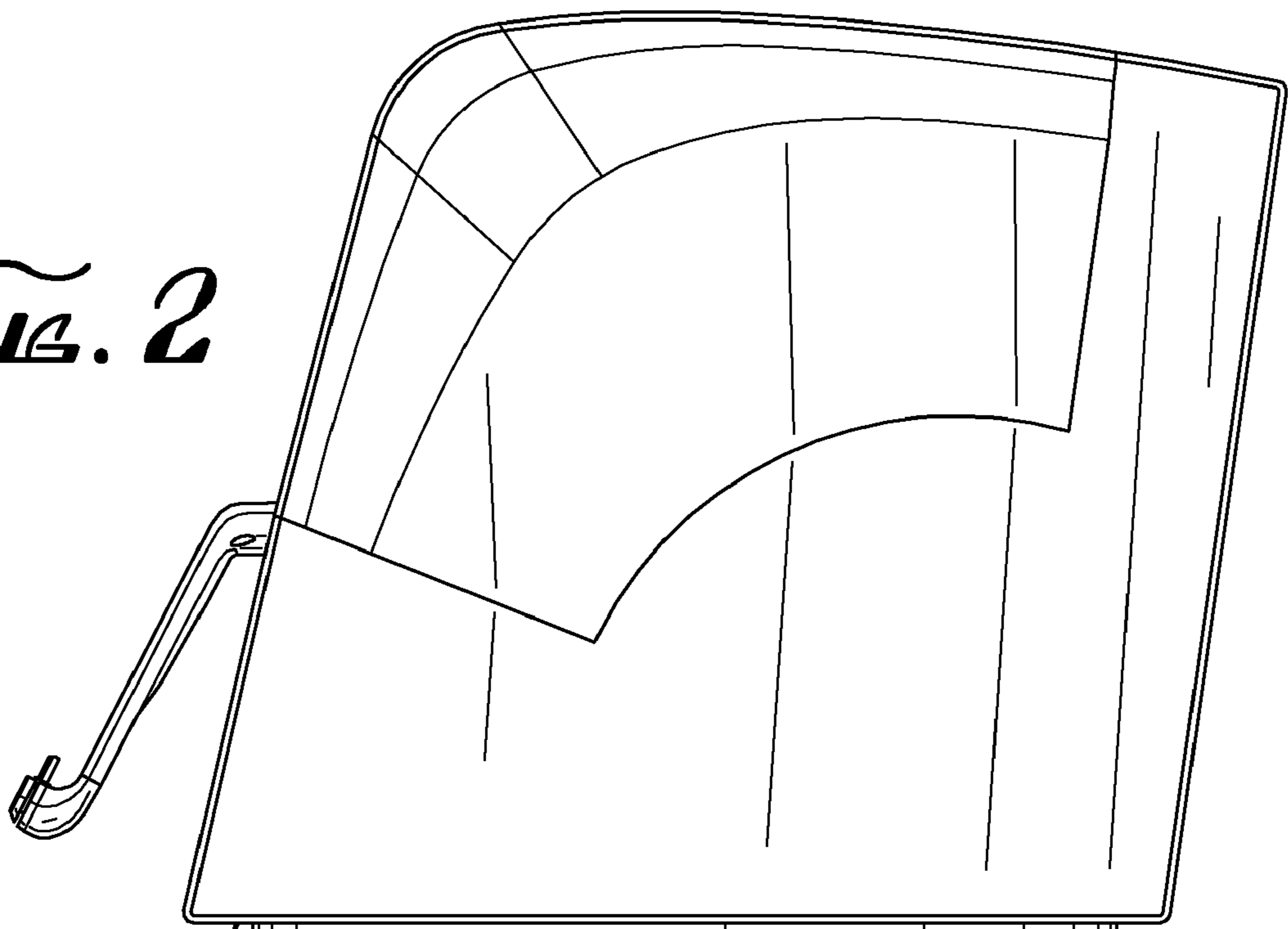


FIG. 1

FIG. 2



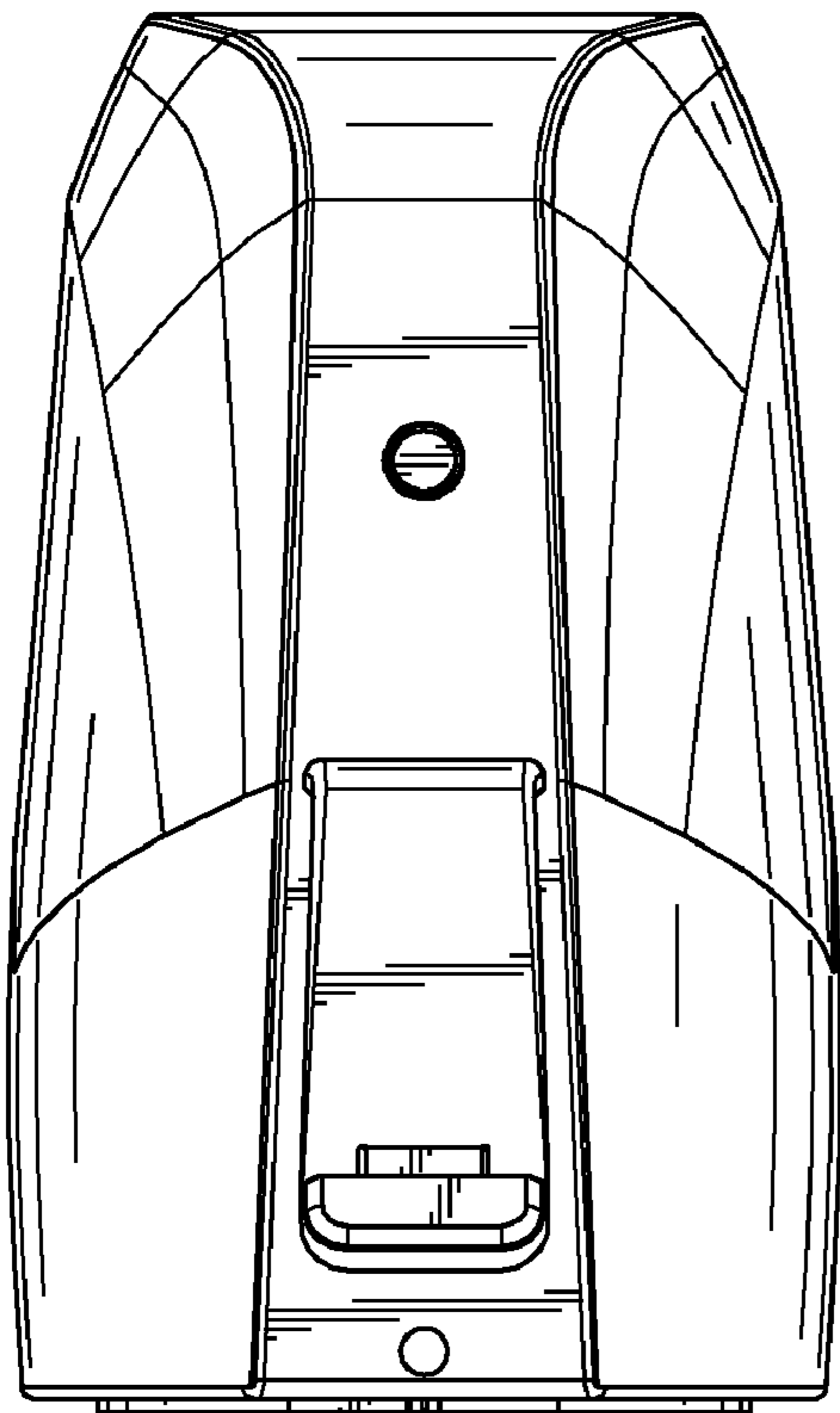


FIG. 3

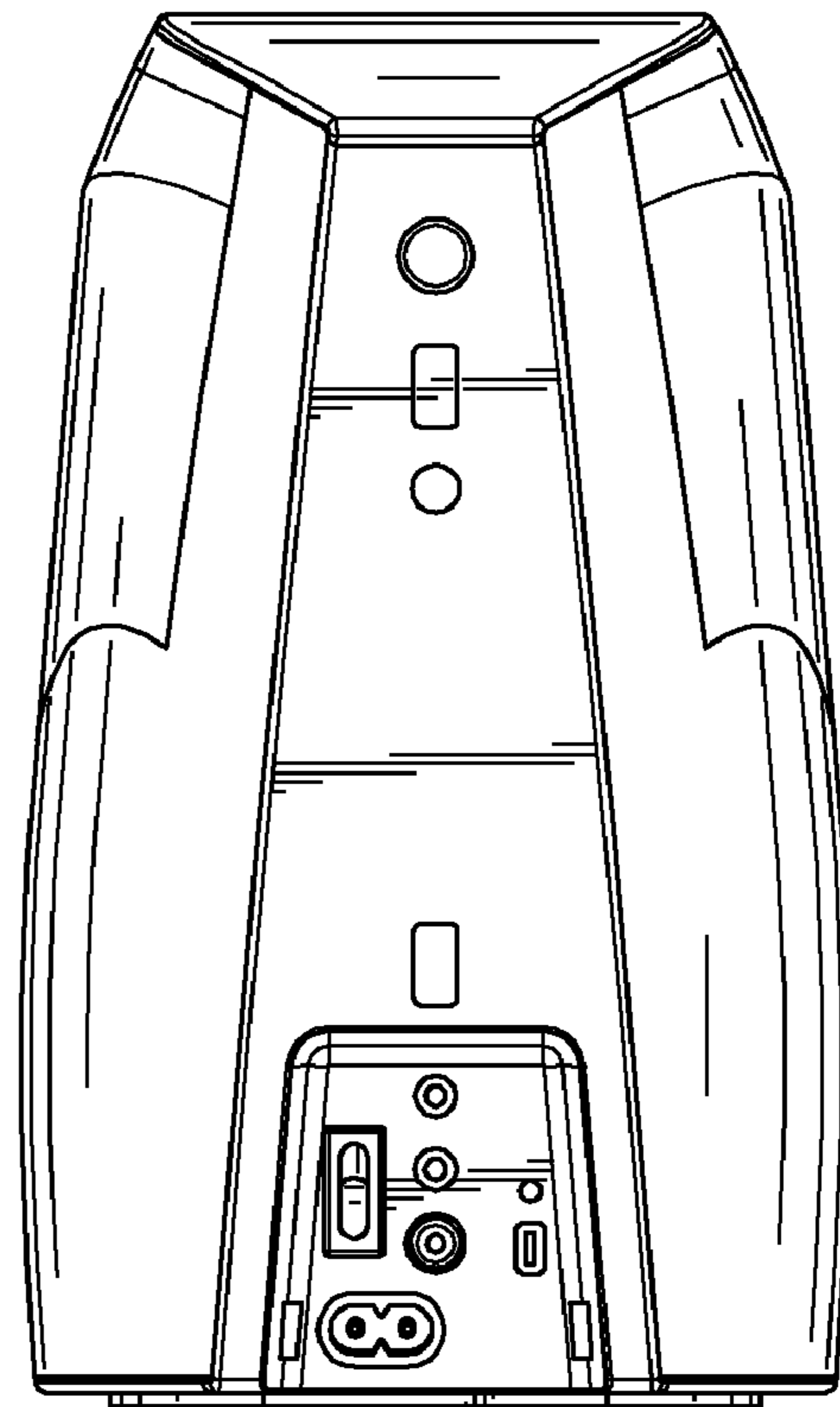


FIG. 4

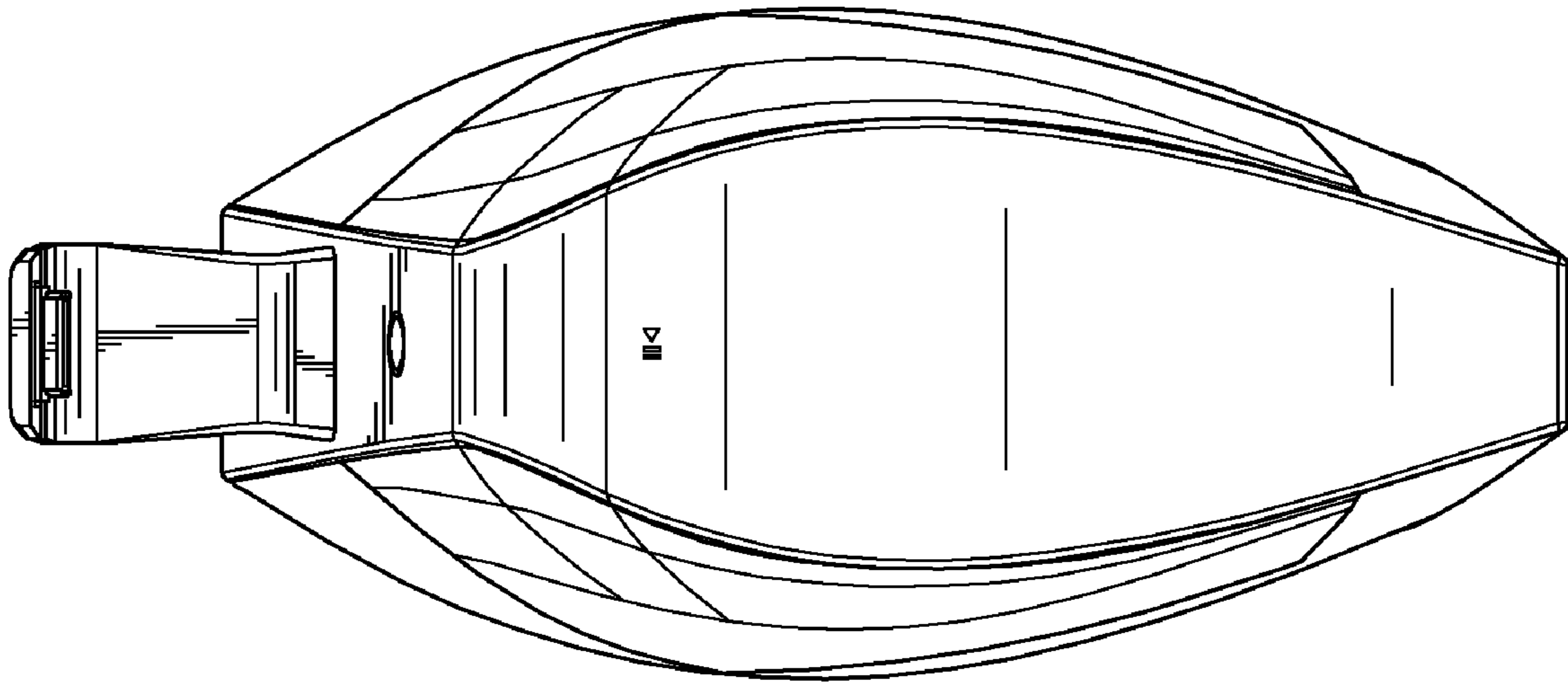


FIG. 5

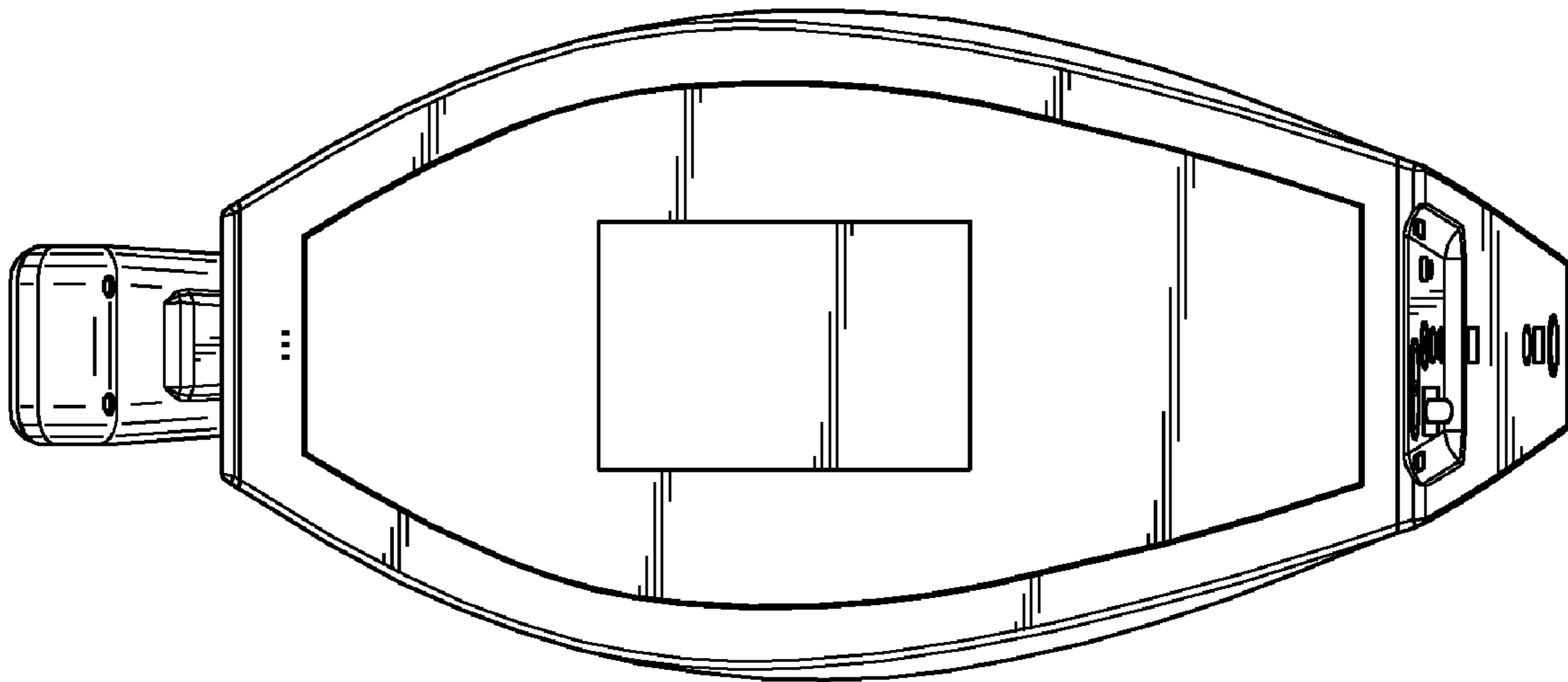


FIG. 6