



US00D629389S

(12) **United States Design Patent**
Kitayama

(10) **Patent No.:** **US D629,389 S**

(45) **Date of Patent:** **** Dec. 21, 2010**

(54) **SPEAKER BOX**

(75) Inventor: **Sohei Kitayama**, Tokyo (JP)

(73) Assignee: **Sony Corporation**, Tokyo (JP)

(**) Term: **14 Years**

(21) Appl. No.: **29/347,462**

(22) Filed: **Jan. 27, 2010**

(30) **Foreign Application Priority Data**

Aug. 26, 2009 (CN) 2009 3 0007038
Sep. 3, 2009 (JP) D2009-020296
Sep. 3, 2009 (JP) D2009-020297

(51) **LOC (9) Cl.** **14-01**

(52) **U.S. Cl.** **D14/215**

(58) **Field of Classification Search** D14/204,
D14/210-216, 168, 172; 181/143-144, 147-148,
181/150-153, 157, 198-199; 381/300-303,
381/306, 332-333, 336, 345, 361-364, 386-388
See application file for complete search history.

(56) **References Cited**

U.S. PATENT DOCUMENTS

D415,159 S 10/1999 Nakano
D432,116 S 10/2000 Ichikawa et al.
D467,574 S 12/2002 Suzuki et al.
D468,291 S * 1/2003 Solland D14/215
D524,799 S 7/2006 Hibi
D525,236 S 7/2006 Hibi
D532,771 S * 11/2006 Motoishi D14/211
D534,157 S 12/2006 Yokoyama
D534,158 S 12/2006 Yokoyama
D569,843 S 5/2008 Sogabe
D570,829 S 6/2008 Matsuoka

D585,423 S 1/2009 Yoneda
D585,424 S 1/2009 Yoneda
D591,725 S 5/2009 Komiyama
D593,070 S 5/2009 Komiyama
D593,975 S 6/2009 Yokota et al.
D597,076 S 7/2009 Komiyama

FOREIGN PATENT DOCUMENTS

JP D1143781 6/2002
JP D1335859 7/2008
JP D1343038 11/2008
JP D1343568 11/2008
JP D1349792 2/2009

* cited by examiner

Primary Examiner—Nanda Bondade
(74) *Attorney, Agent, or Firm*—Rader, Fishman & Grauer
PLLC

(57) **CLAIM**

The ornamental design for a speaker box, as shown and described.

DESCRIPTION

FIG. 1 is a perspective view of a speaker box showing my new design;

FIG. 2 is a front elevational view thereof;

FIG. 3 is a rear elevational view thereof;

FIG. 4 is a left side elevational view thereof;

FIG. 5 is a right side elevational view thereof;

FIG. 6 is a top plan view thereof; and,

FIG. 7 is a bottom plan view thereof.

Portions in broken lines are for illustrative purpose only and form no part of the claimed design.

1 Claim, 7 Drawing Sheets

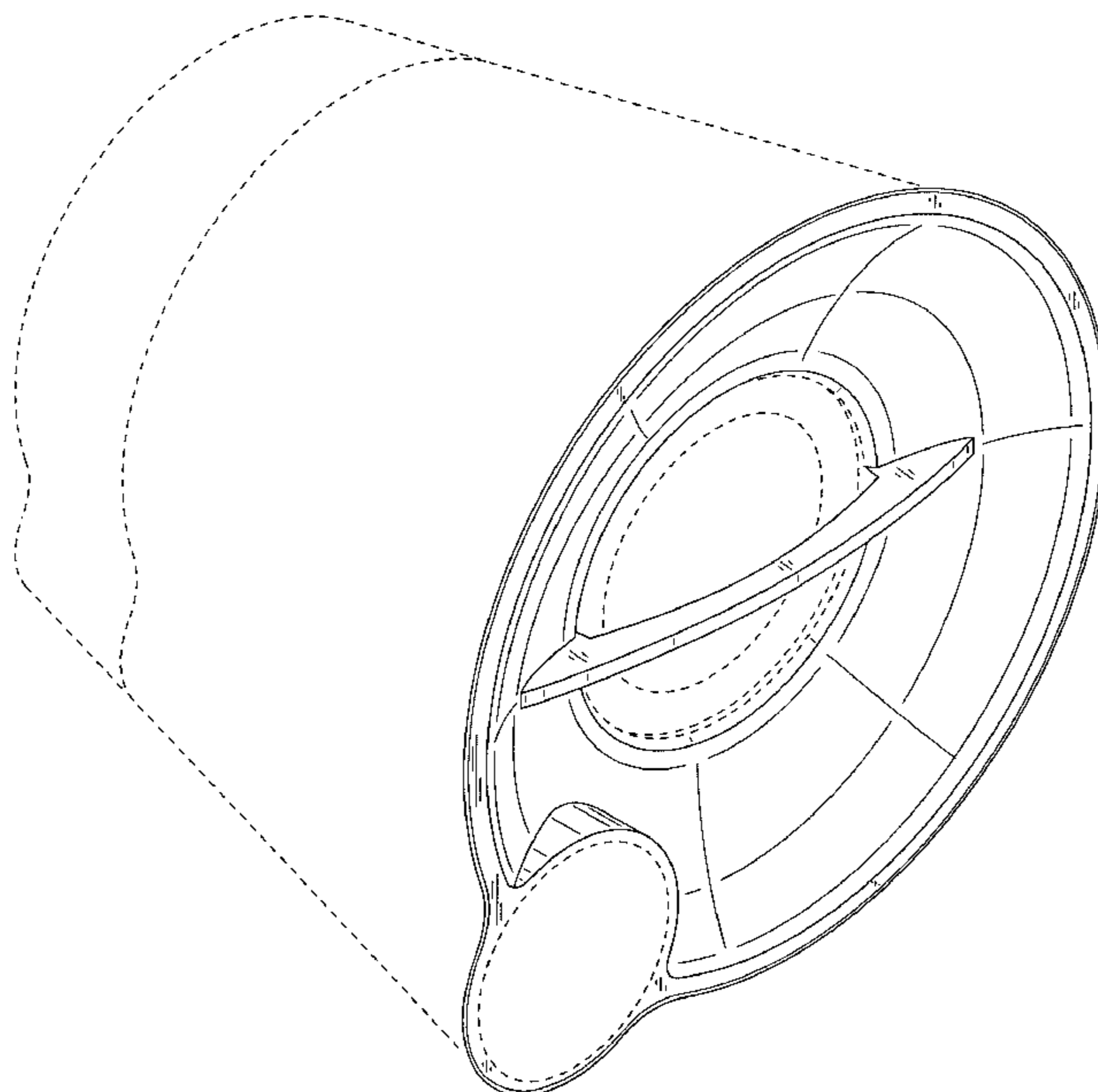


FIG. 1

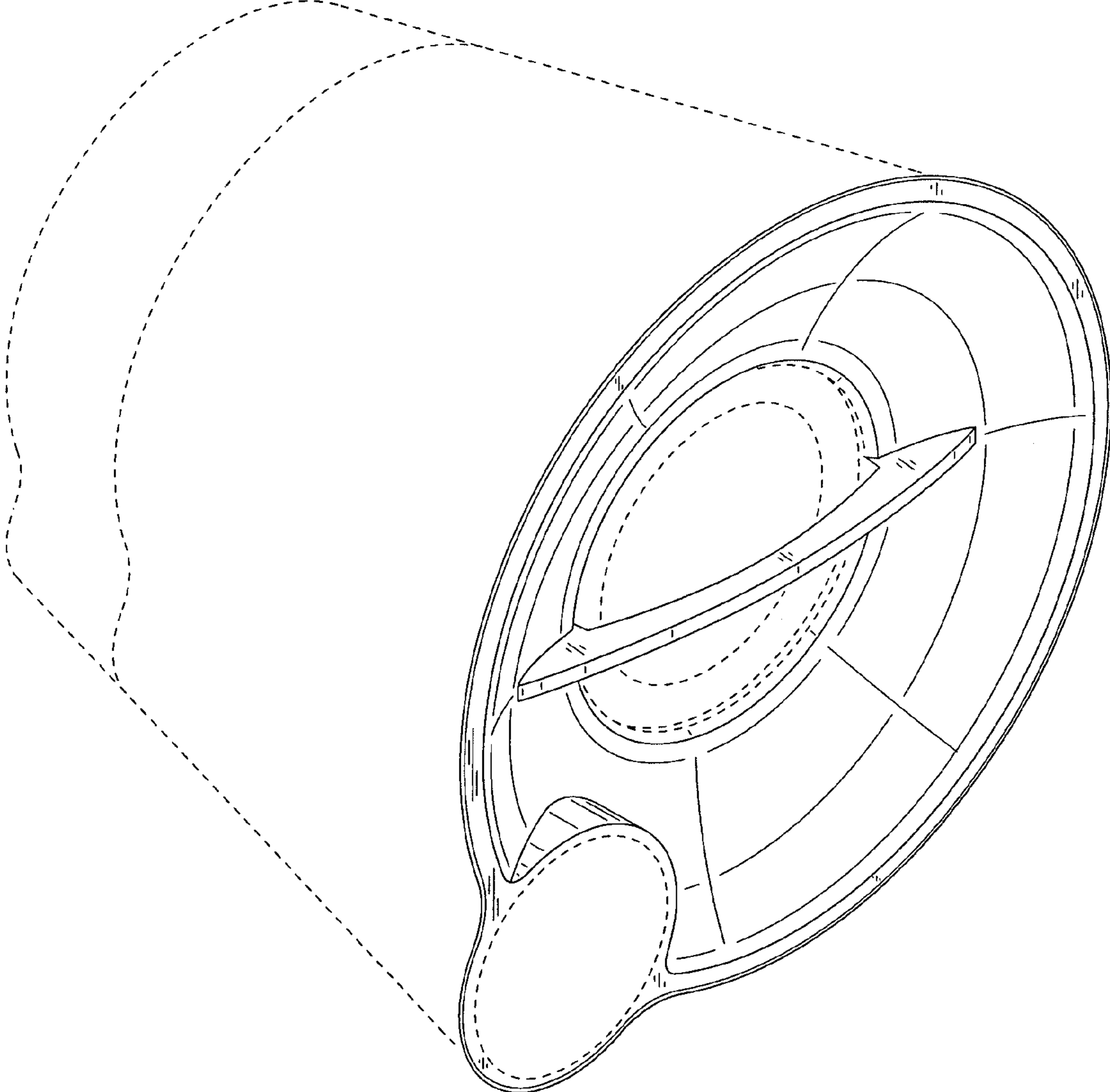


FIG.2

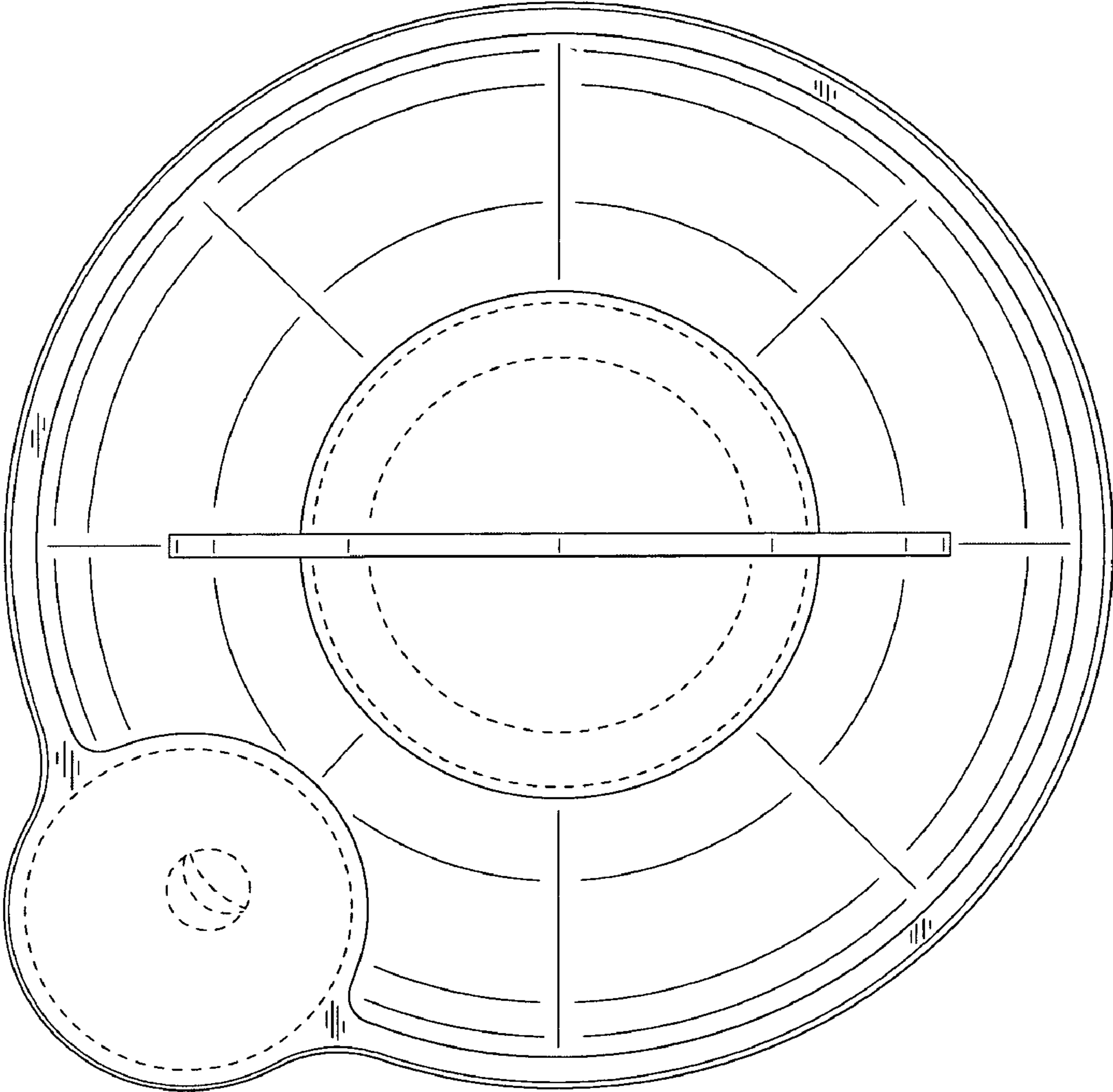


FIG.3

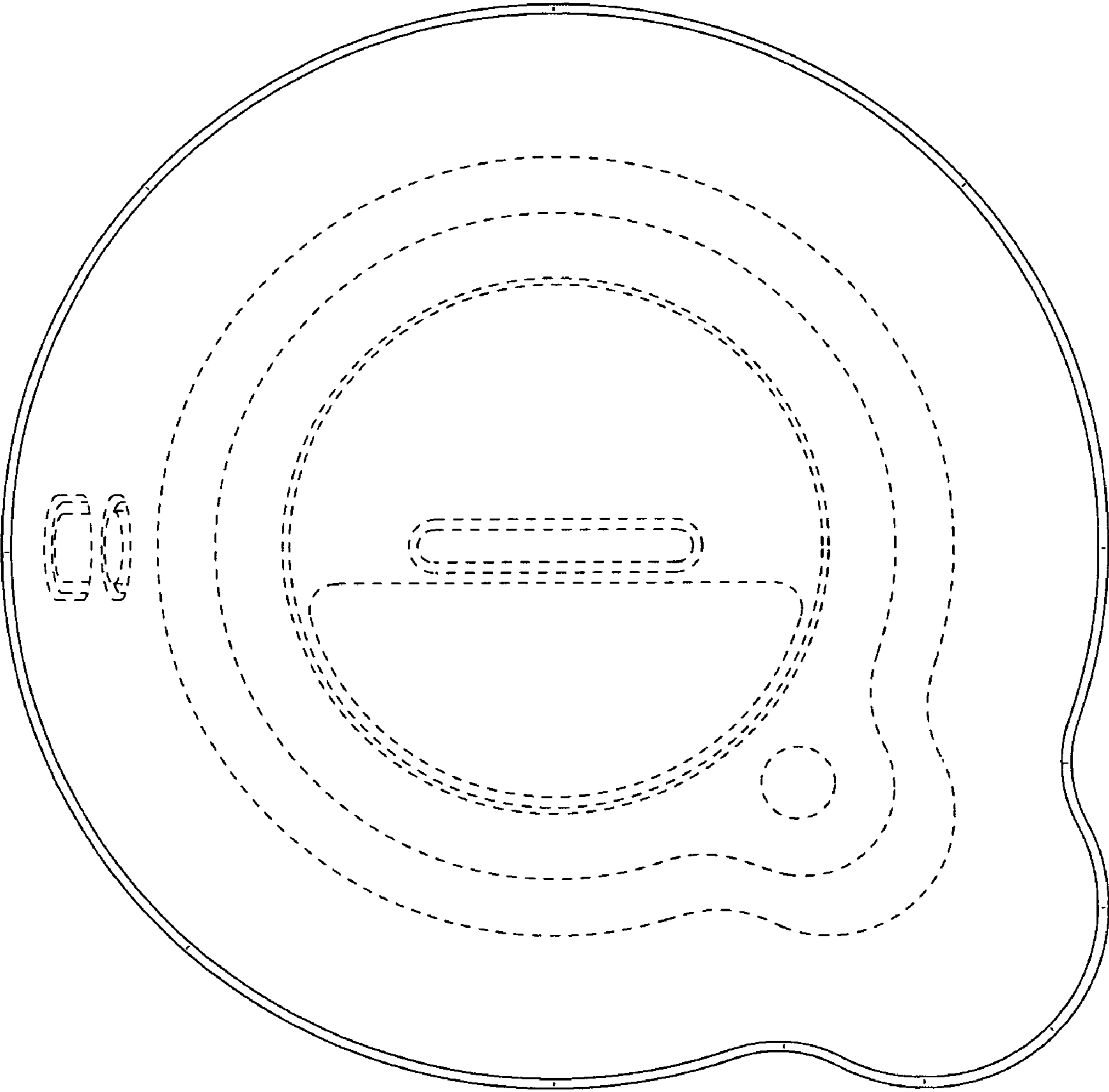


FIG.4

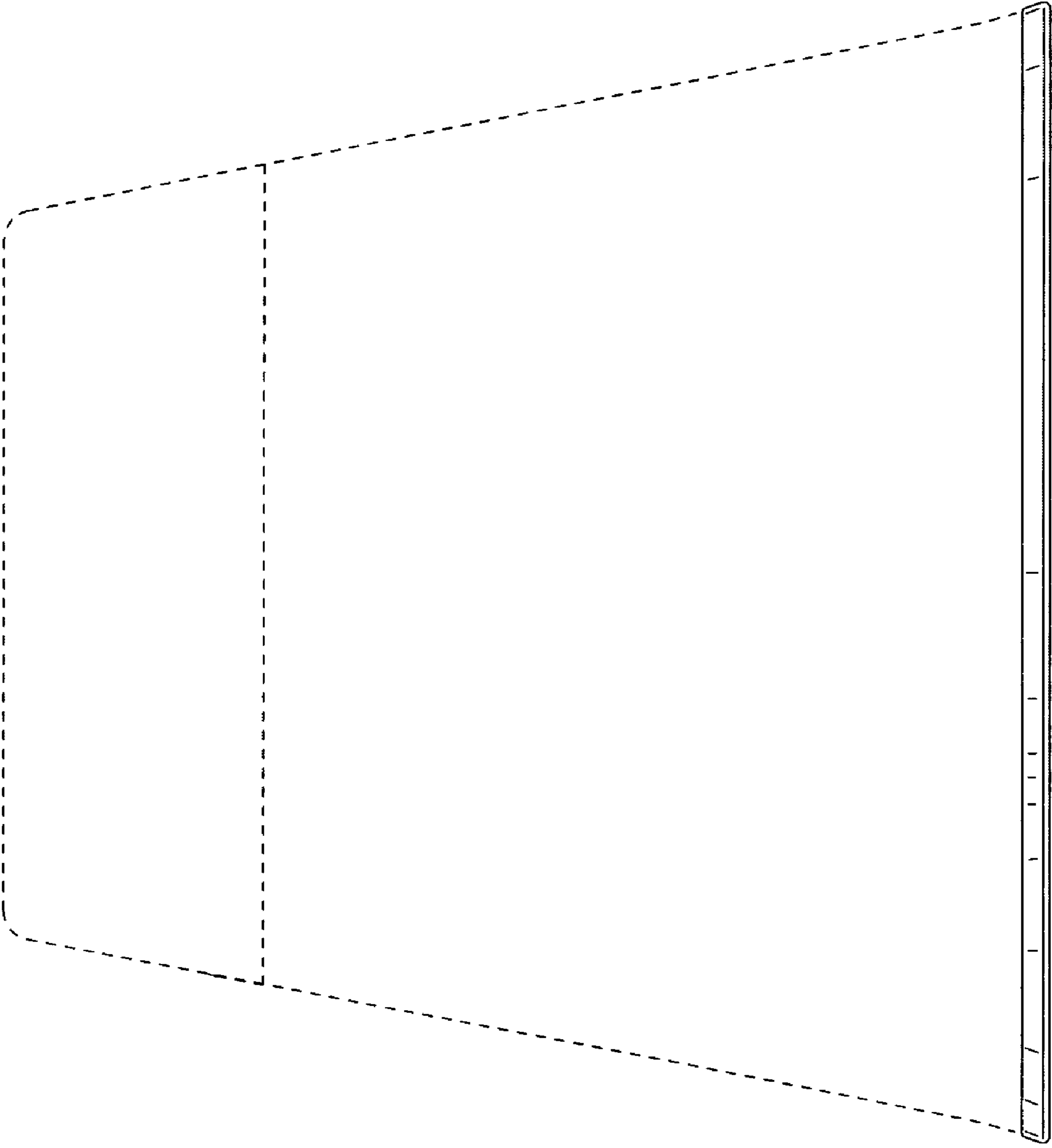


FIG.5

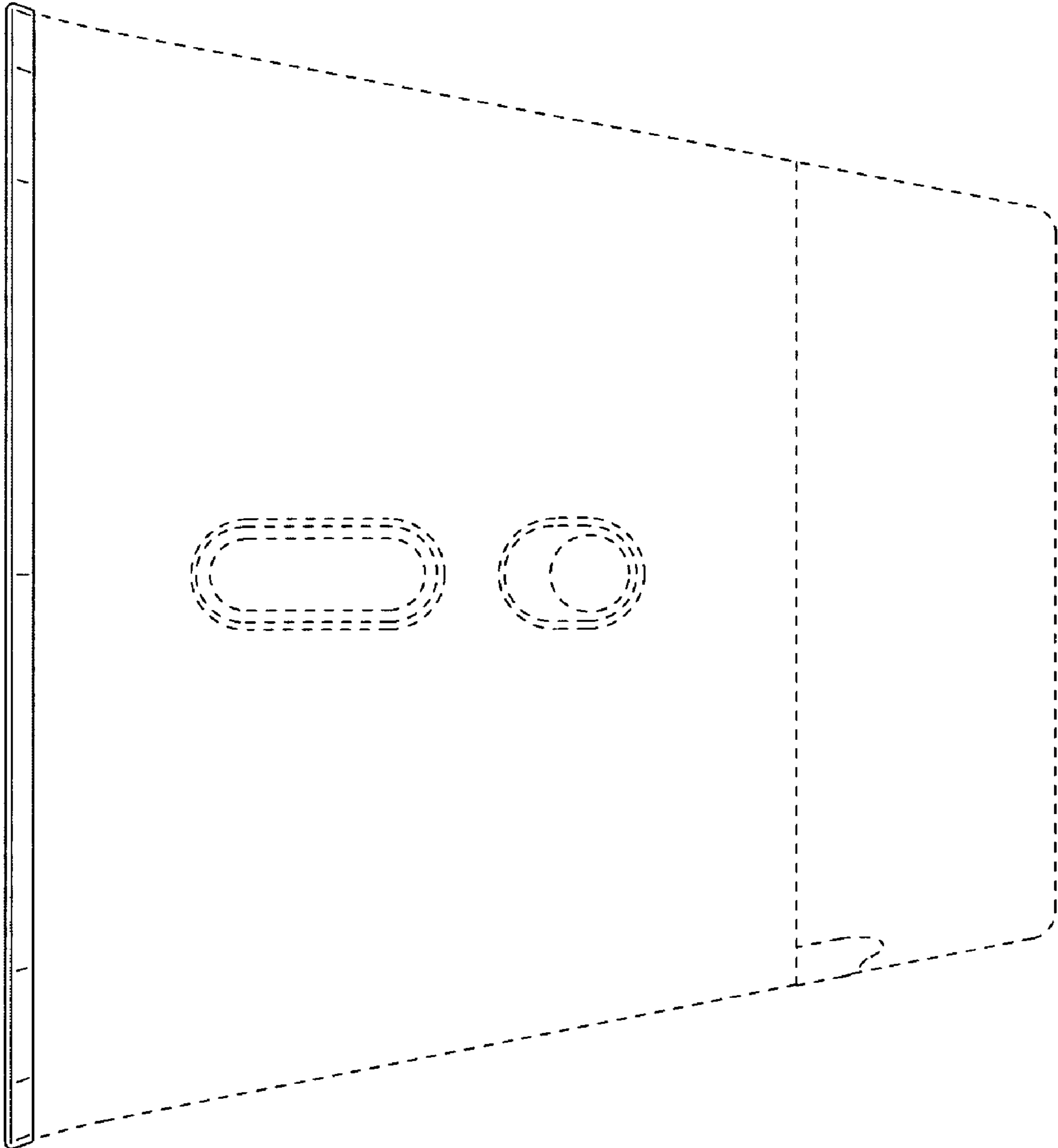


FIG.6

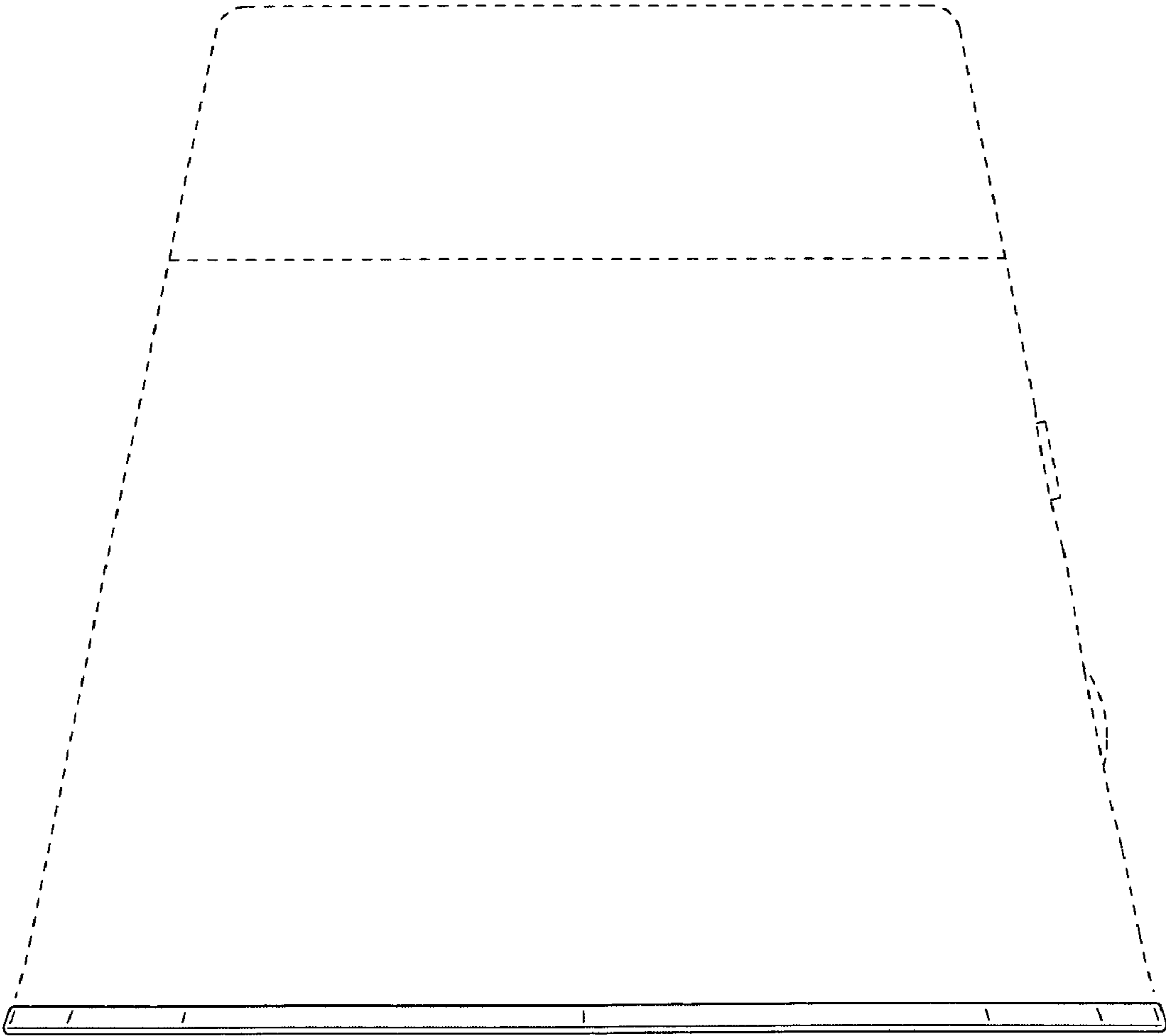


FIG.7

