

US00D629388S

(12) **United States Design Patent**
Son et al.

(10) **Patent No.:** **US D629,388 S**
(45) **Date of Patent:** **** Dec. 21, 2010**

(54) **SPEAKER**

(75) Inventors: **Chae-Joo Son**, Namyangju-si (KR);
Ji-Gwang Kim, Seoul (KR); **Jin-Wook Kim**, Kimcheon-si (KR)

(73) Assignee: **Samsung Electronics Co., Ltd.**,
Maetan-dong, Teongtong-gu, Suwon-si,
Gyeonggi-do (KR)

(**) Term: **14 Years**

(21) Appl. No.: **29/357,345**

(22) Filed: **Mar. 11, 2010**

(51) **LOC (9) Cl.** **14-01**

(52) **U.S. Cl.** **D14/214**

(58) **Field of Classification Search** D14/204,
D14/207, 209.1, 210–214, 168, 171–172,
D14/496, 498–510; 181/143–144, 147–148,
181/150–153, 157, 198–199; 381/300–303,
381/306, 332–333, 336, 345, 361–364, 386–388
See application file for complete search history.

(56) **References Cited**

U.S. PATENT DOCUMENTS

D250,711 S * 1/1979 Persson et al. D14/214
D282,540 S * 2/1986 Clason D14/214

D470,126 S * 2/2003 Ljungberg et al. D14/214
D486,475 S * 2/2004 Allen D14/215
D535,976 S * 1/2007 Ng et al. D14/214

* cited by examiner

Primary Examiner—Nanda Bondade
(74) *Attorney, Agent, or Firm*—Lexyoume IP Group, PLLC.

(57) **CLAIM**

The ornamental design for a speaker, as shown and described.

DESCRIPTION

FIG. 1 is a perspective view of a speaker showing our new design;
FIG. 2 is a front elevational view thereof;
FIG. 3 is a rear elevational view thereof;
FIG. 4 is a left side elevational view thereof;
FIG. 5 is a right side elevational view thereof;
FIG. 6 is a top plan view thereof; and,
FIG. 7 is a bottom plan view thereof.

1 Claim, 7 Drawing Sheets

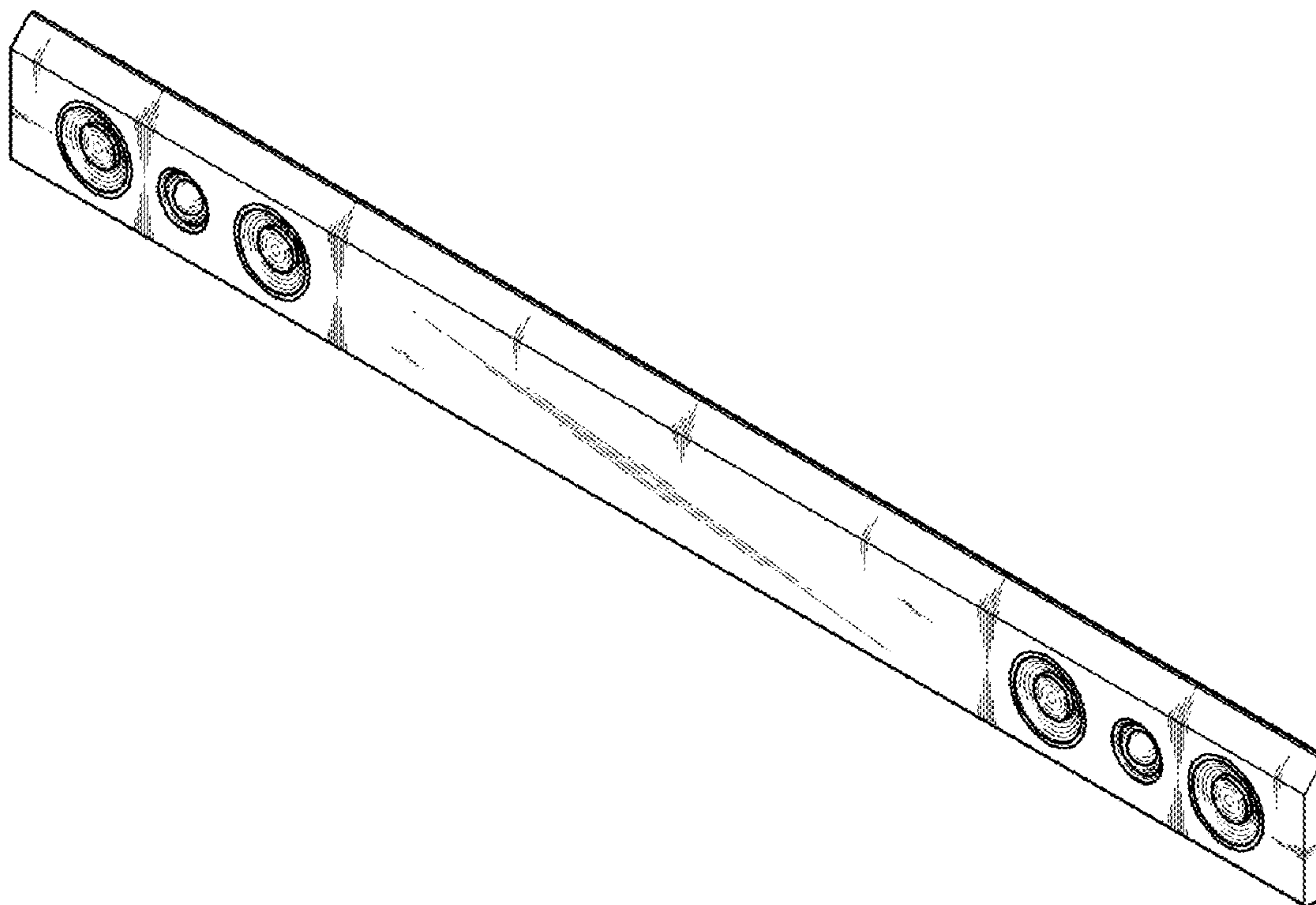


FIG. 1

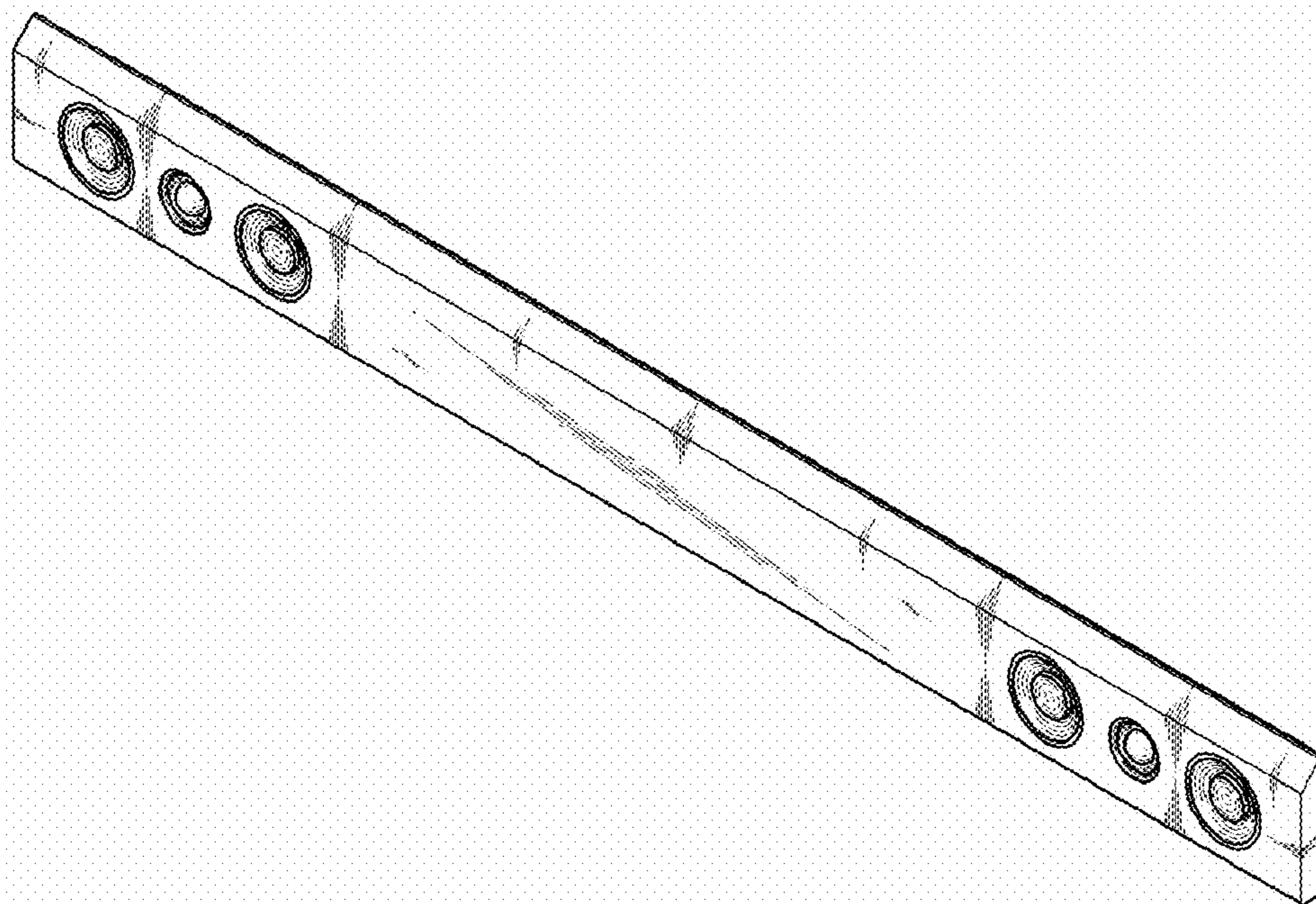


FIG.2

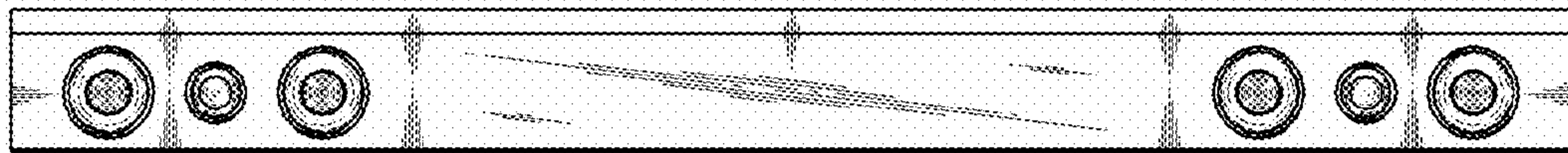


FIG.3

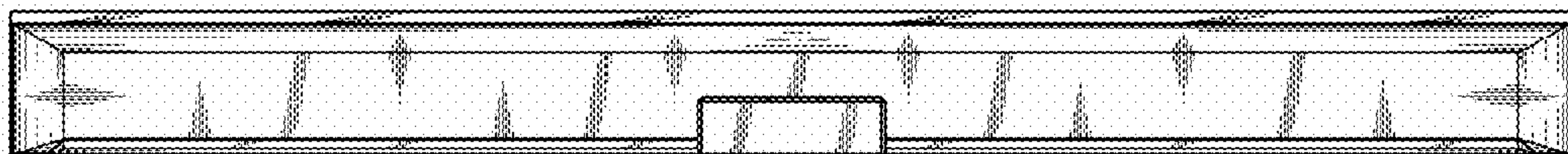


FIG. 4

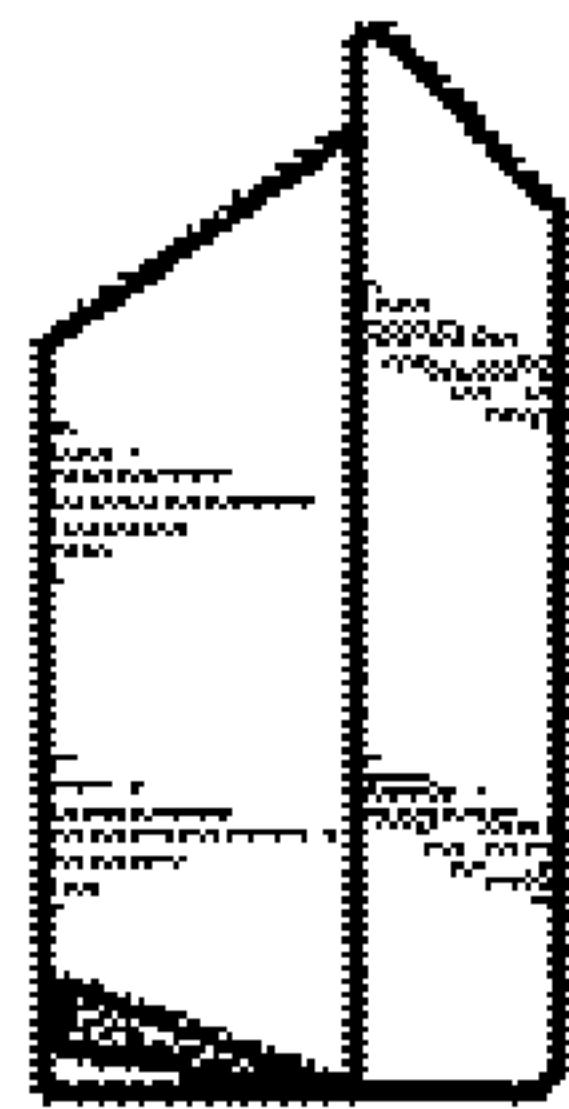


FIG. 5

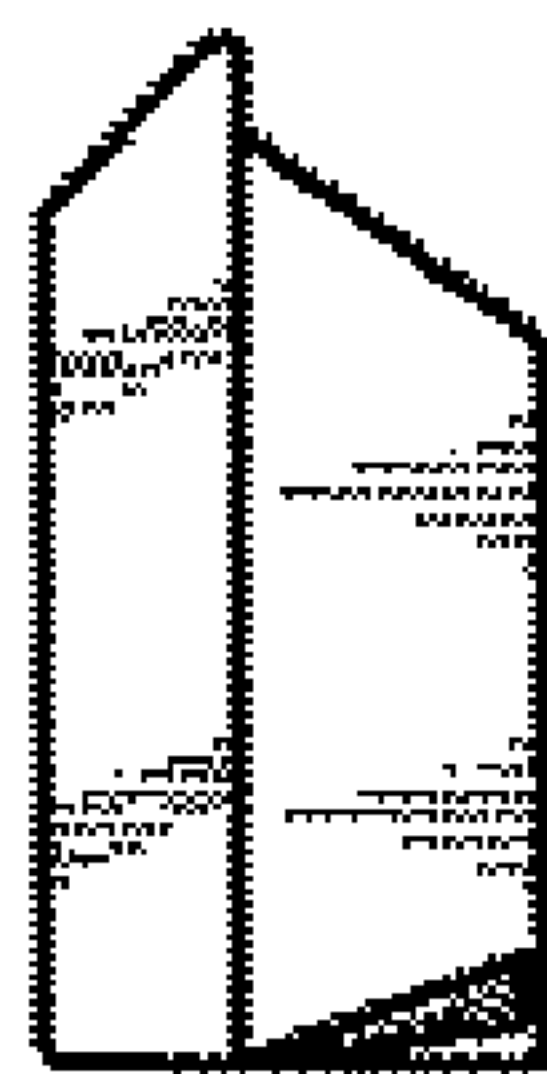


FIG.6

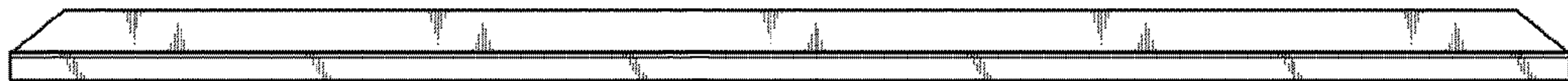


FIG. 7

