



US00D629387S

(12) **United States Design Patent**
Lee

(10) **Patent No.:** **US D629,387 S**

(45) **Date of Patent:** **** Dec. 21, 2010**

(54) **DIGITAL AUDIO PLAYER**

(75) **Inventor:** **Wai Chung David Lee, Hong Kong (HK)**

(73) **Assignee:** **Koninklijke Philips Electronics N.V., Eindhoven (NL)**

(**) **Term:** **14 Years**

(21) **Appl. No.:** **29/362,322**

(22) **Filed:** **May 24, 2010**

(30) **Foreign Application Priority Data**

Nov. 25, 2009 (EM) 001640228-0008

(51) **LOC (9) Cl.** **14-03**

(52) **U.S. Cl.** **D14/203.7; D14/203.3; D14/496**

(58) **Field of Classification Search** D14/496, D14/401, 435, 474, 483, 217, 137, 138, 160, D14/168, 356, 203.1-203.8, 507; 345/156, 345/169, 173-179, 905; 715/727-729, 864; 710/1, 5, 8; 713/1, 600; 455/1.1, 1.7, 73, 455/344-347, 93, 95, 3.01-3.06, 550.1, 573.1; 370/342-344; 369/1, 2, 6-12; 463/43-47; 273/148 B

See application file for complete search history.

(56) **References Cited**

U.S. PATENT DOCUMENTS

6,593,914 B1 * 7/2003 Nuovo et al. 345/169

7,258,449 B2 * 8/2007 Chong et al. 353/85
7,281,214 B2 * 10/2007 Fadell 715/745
D571,824 S * 6/2008 Ledbetter et al. D14/496
D593,535 S * 6/2009 Sheba et al. D14/203.7
D601,122 S * 9/2009 Hibino et al. D14/203.7
D607,872 S * 1/2010 Lee D14/203.7
D620,473 S * 7/2010 Lee D14/203.7

* cited by examiner

Primary Examiner—Prabhakar Deshmukh

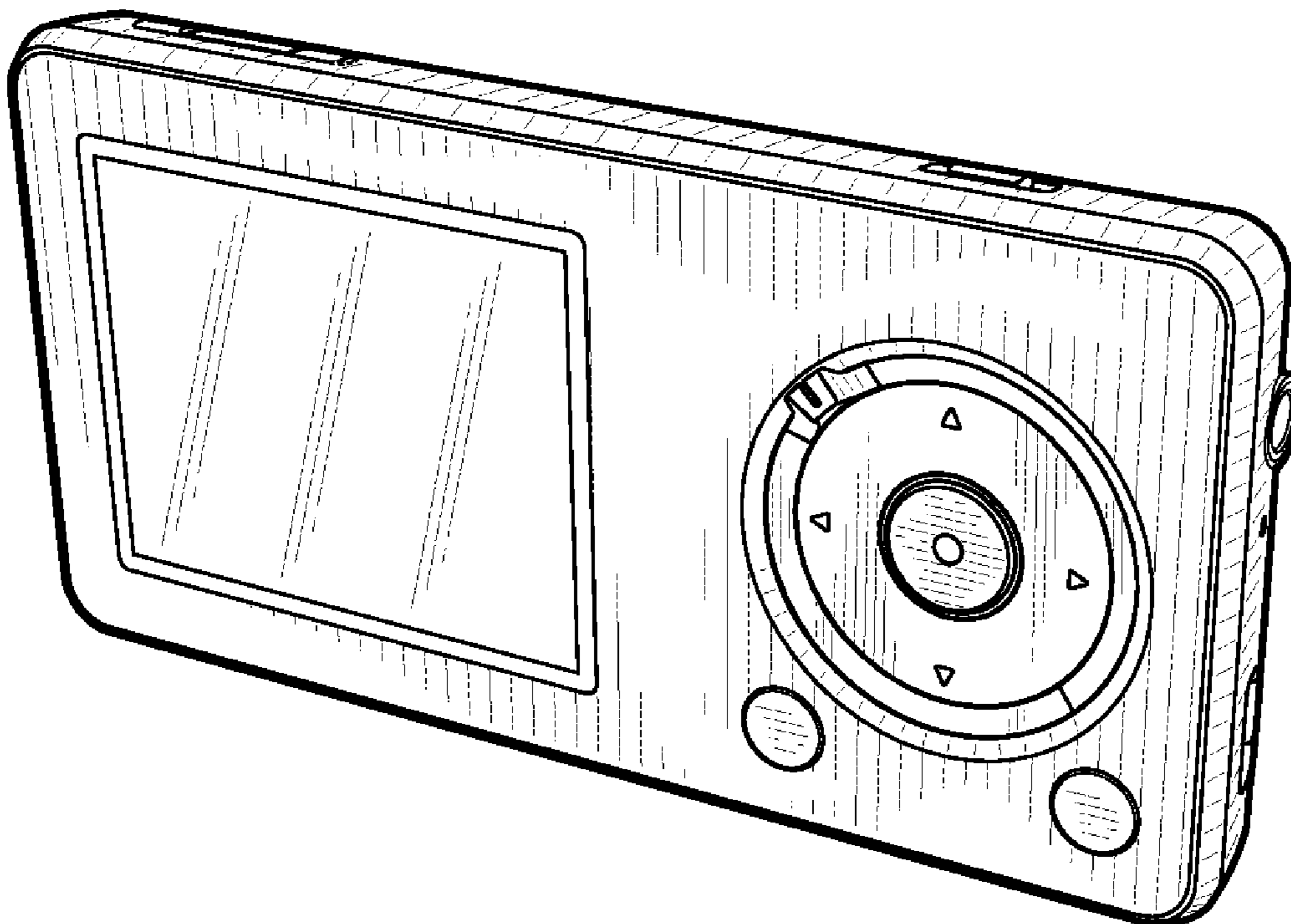
(57) **CLAIM**

The ornamental design for a digital audio player, as shown.

DESCRIPTION

FIG. 1 is a perspective view showing my design;
FIG. 2 is a front elevational view thereof;
FIG. 3 is a rear elevational view thereof;
FIG. 4 is a right side elevational view thereof;
FIG. 5 is a left side elevational view thereof;
FIG. 6 is a top plan view thereof; and,
FIG. 7 is a bottom plan view thereof.

1 Claim, 3 Drawing Sheets



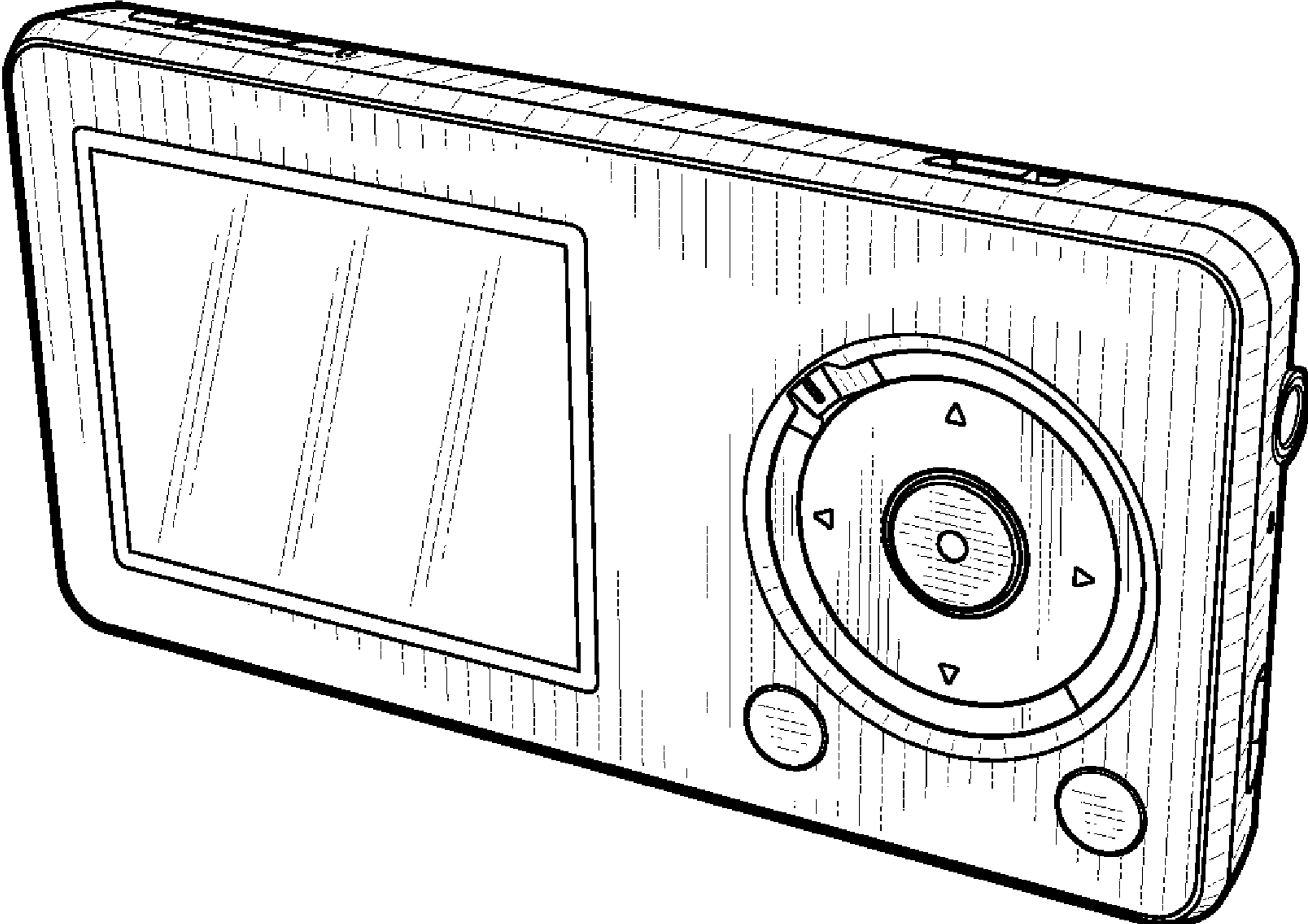


FIG. 1

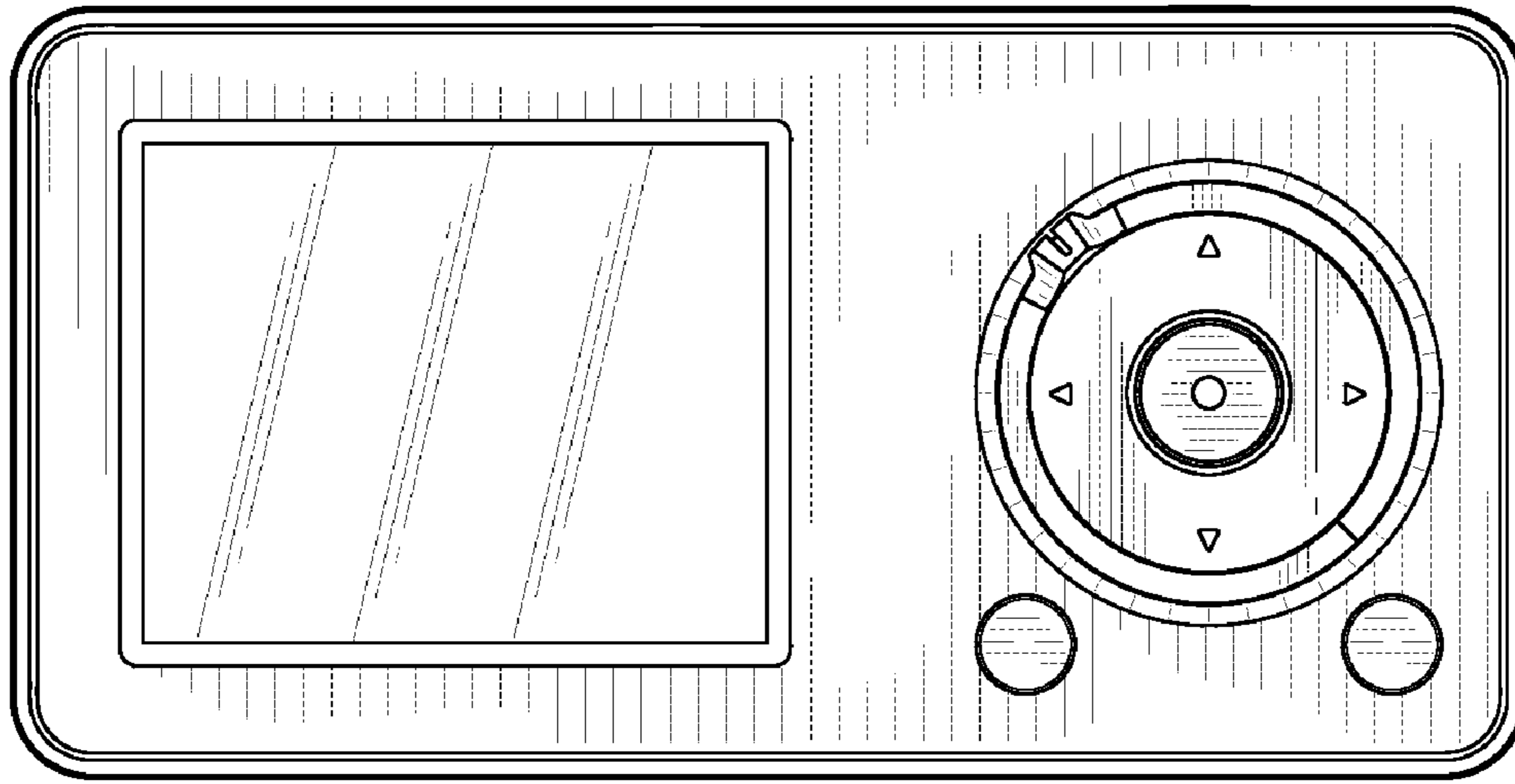


FIG. 2

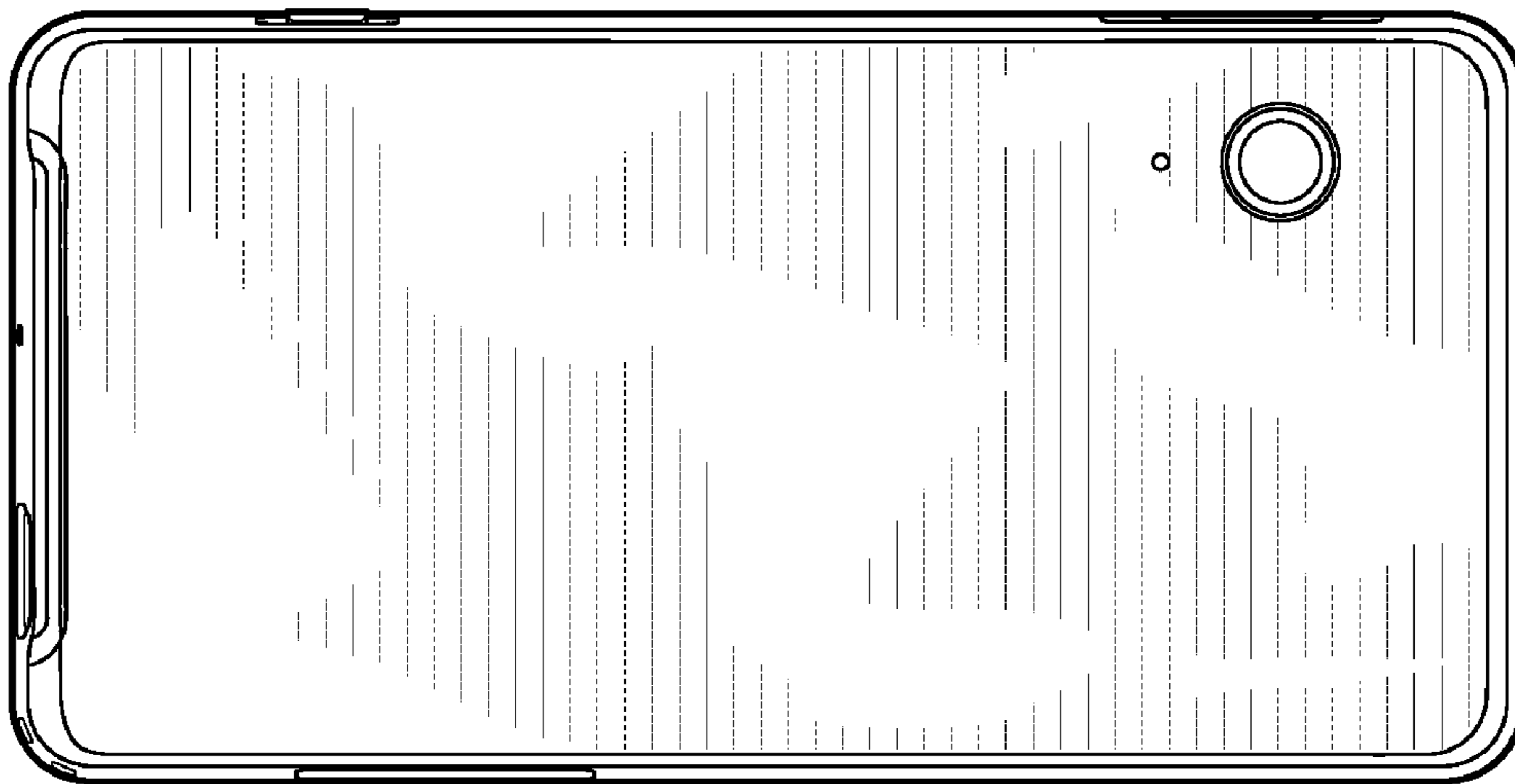


FIG. 3

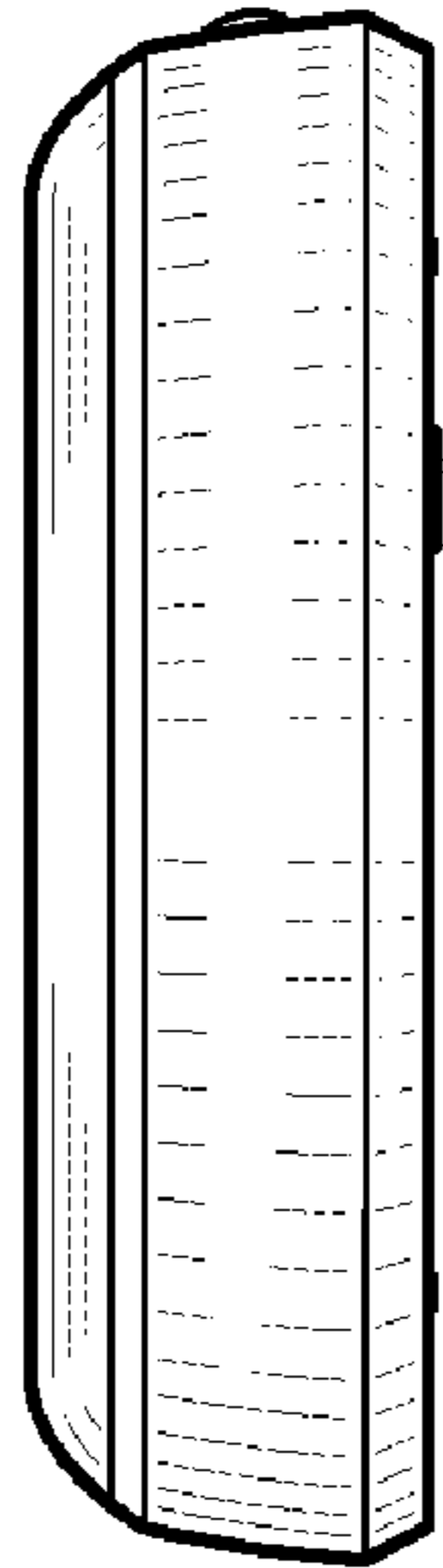


FIG. 4

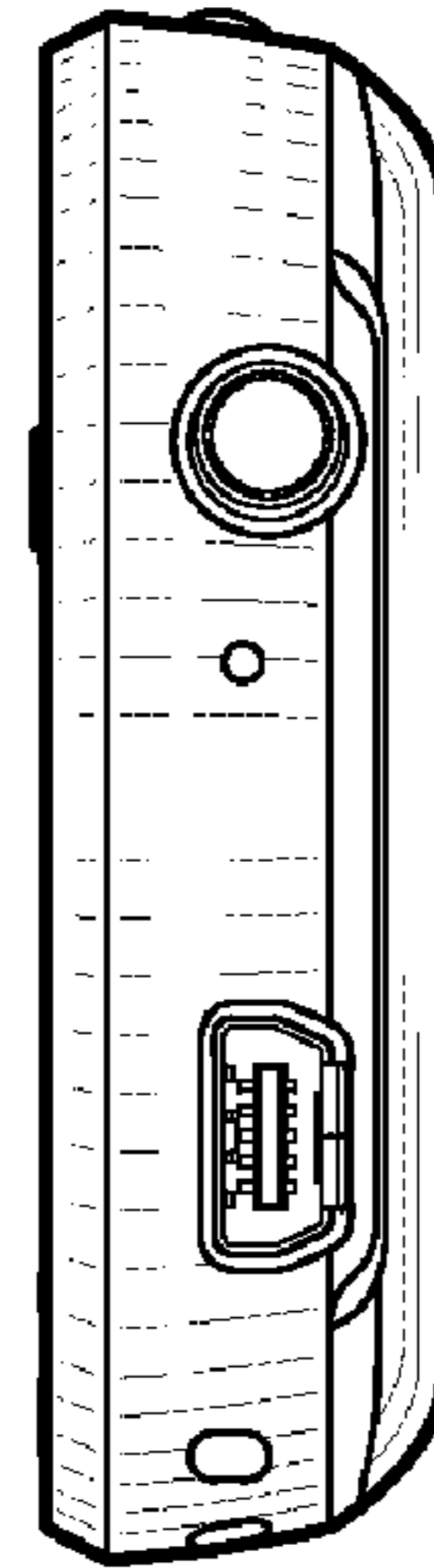


FIG. 5

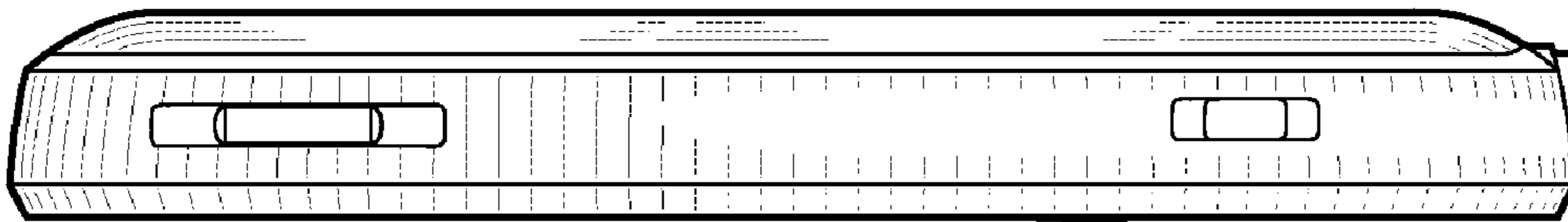


FIG. 6

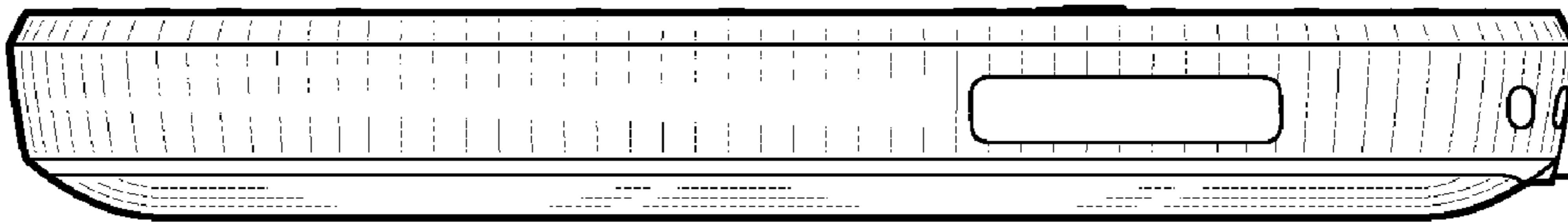


FIG. 7