



US00D629383S

(12) **United States Design Patent**
Quilter et al.

(10) **Patent No.:** **US D629,383 S**
(45) **Date of Patent:** **** Dec. 21, 2010**

(54) **AMPLIFIER**

(75) Inventors: **Patrick H. Quilter**, Laguna Beach, CA (US); **Douglas W. Teulie**, Huntington Beach, CA (US); **Ian M. Overholt**, Lakewood, CA (US)

(73) Assignee: **QSC Audio Products, LLC**, Costa Mesa, CA (US)

(**) Term: **14 Years**

(21) Appl. No.: **29/294,544**

(22) Filed: **Jan. 16, 2008**

(51) **LOC (9) Cl.** **14-03**

(52) **U.S. Cl.** **D14/188**

(58) **Field of Classification Search** D14/168, D14/169, 179, 188, 194-198, 215, 217, 257, D14/265, 299, 496; 330/1 R, 3, 4, 250; 381/86, 381/120; 455/344-351; D13/182
See application file for complete search history.

(56) **References Cited**

U.S. PATENT DOCUMENTS

D217,870 S	6/1970	Brenner et al.	
D266,326 S	9/1982	Kikuhara	
4,688,328 A *	8/1987	Jebens et al.	29/839
D304,195 S	10/1989	Culbertson	
D315,554 S	3/1991	Hill	
D327,689 S	7/1992	Johnson	
D347,844 S	6/1994	Diachyo	
D349,702 S	8/1994	Daichyo	
D352,701 S *	11/1994	Evans	D13/182
D362,002 S	9/1995	Ito	
D363,920 S *	11/1995	Roberts et al.	D13/182
5,525,763 A *	6/1996	Van Liere	174/263
D371,787 S *	7/1996	Sohn	D14/188
D373,589 S	9/1996	Peterson	
D376,360 S	12/1996	Teulie	
5,699,241 A *	12/1997	Fujikawa	363/144
D404,396 S *	1/1999	Mackie et al.	D14/188
D409,619 S *	5/1999	Shin et al.	D14/217
D416,904 S *	11/1999	Rabbani	D14/188

D420,681 S	2/2000	Teulie	
D436,351 S	1/2001	Asai	
6,212,086 B1 *	4/2001	Dinh	363/144
6,477,053 B1	11/2002	Zeidan et al.	
6,487,082 B1 *	11/2002	Crapisi et al.	361/760
D472,229 S	3/2003	Amiya	
D483,753 S	12/2003	Goodsene et al.	
D485,536 S *	1/2004	Dang et al.	D13/182
6,760,225 B1 *	7/2004	Chen et al.	361/719
D505,925 S *	6/2005	Koo	D13/182
7,019,996 B2 *	3/2006	Zhu et al.	363/144
7,042,745 B1 *	5/2006	Chen	363/144
D524,763 S *	7/2006	Nakano et al.	D13/182
D525,213 S *	7/2006	Enderlein et al.	D13/182
D529,479 S	10/2006	Wolf, II et al.	

(Continued)

Primary Examiner—Stella M Reid

Assistant Examiner—Keli L Hill

(74) *Attorney, Agent, or Firm*—Perkins Coie LLP

(57) **CLAIM**

We claim the ornamental design for an amplifier, as shown and described.

DESCRIPTION

FIG. 1 is a front isometric view of an amplifier showing our new design.

FIG. 2 is a front elevation view thereof.

FIG. 3 is a back elevation view thereof.

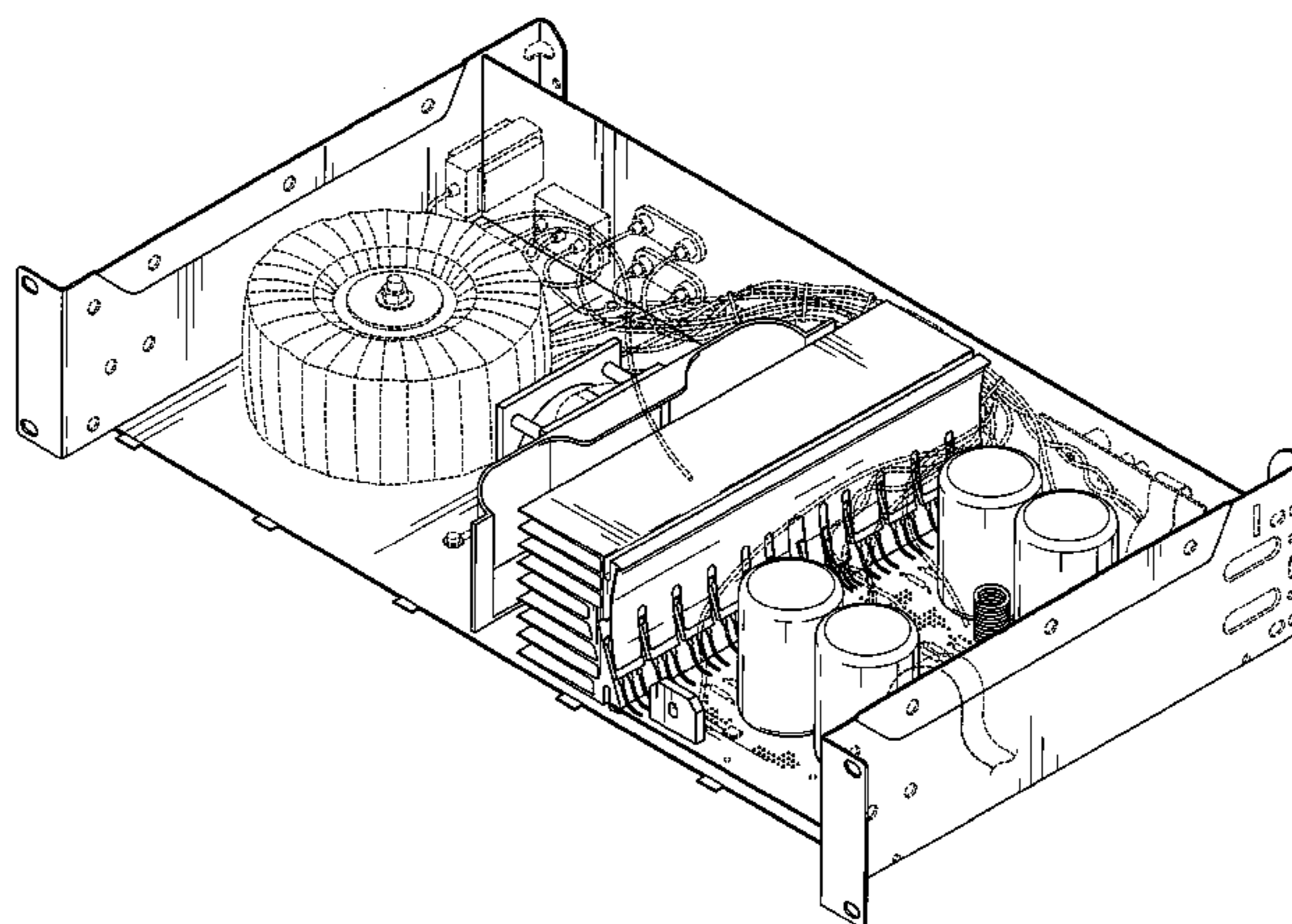
FIG. 4 is a top plan view thereof.

FIG. 5 is a bottom plan view thereof the first embodiment; and,

FIG. 6 is a left side elevation view thereof. The right side elevation view is a mirror image of the left side elevation view.

Any broken lines shown in the drawings are for illustrative purposes only and form no part of the claimed design.

1 Claim, 6 Drawing Sheets



US D629,383 S

Page 2

U.S. PATENT DOCUMENTS

D537,434 S *	2/2007	Takahashi et al.	D14/188	D567,211 S *	4/2008	Horinouchi	D14/188
D544,859 S	6/2007	Teulie		7,382,619 B2	6/2008	Mouri	
D558,195 S	12/2007	Divine et al.		D576,577 S *	9/2008	Kobayashi et al.	D13/182
D558,196 S	12/2007	Kaneko et al.		D589,041 S	3/2009	Teulie	
D559,239 S	1/2008	Lee et al.		D598,004 S *	8/2009	Lam	D14/188
D565,537 S	4/2008	Teulie		2005/0254218 A1 *	11/2005	Mouri	361/719

* cited by examiner

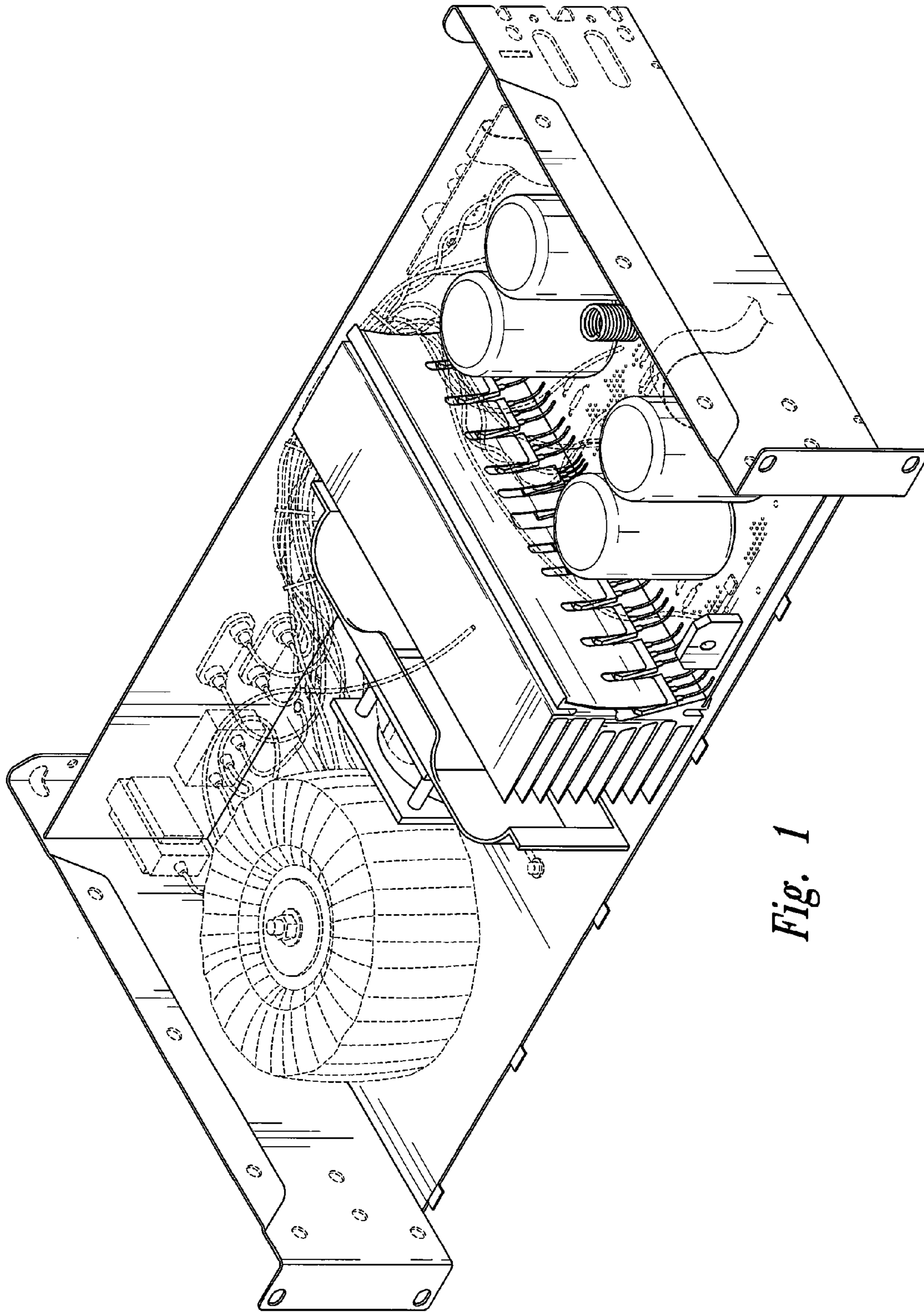


Fig. 1

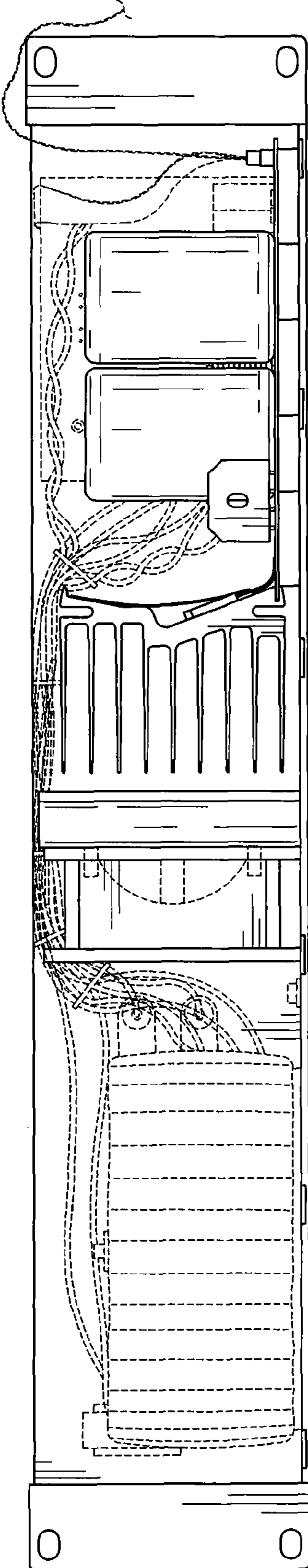


Fig. 2

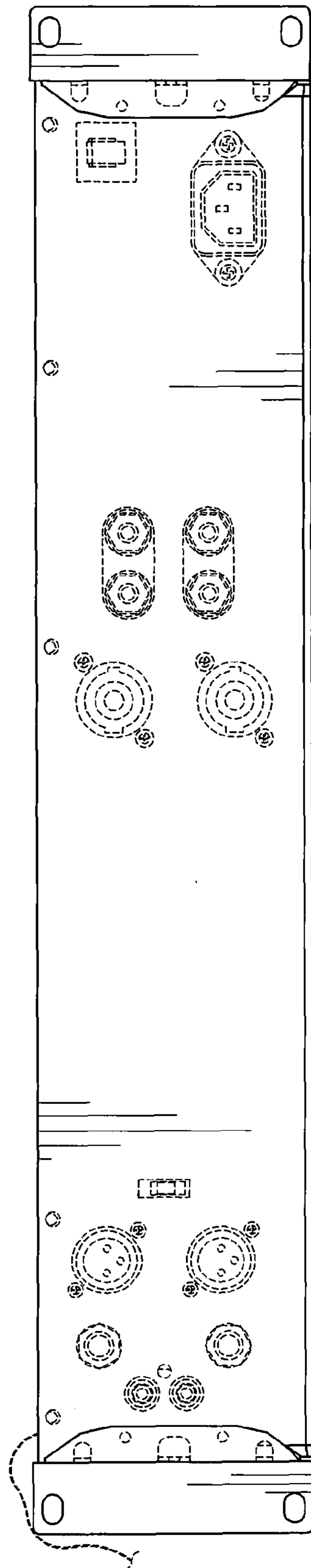


Fig. 3

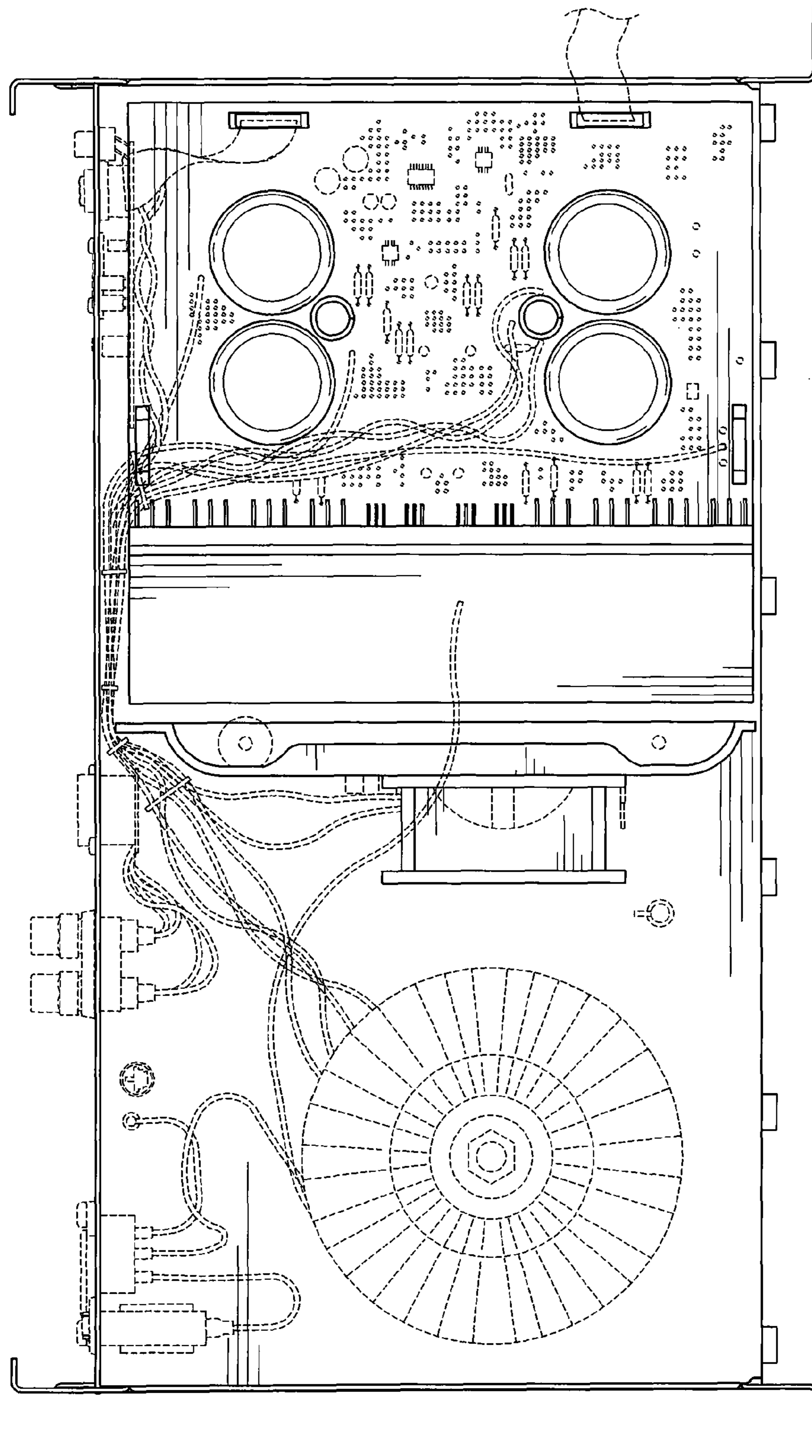


Fig. 4

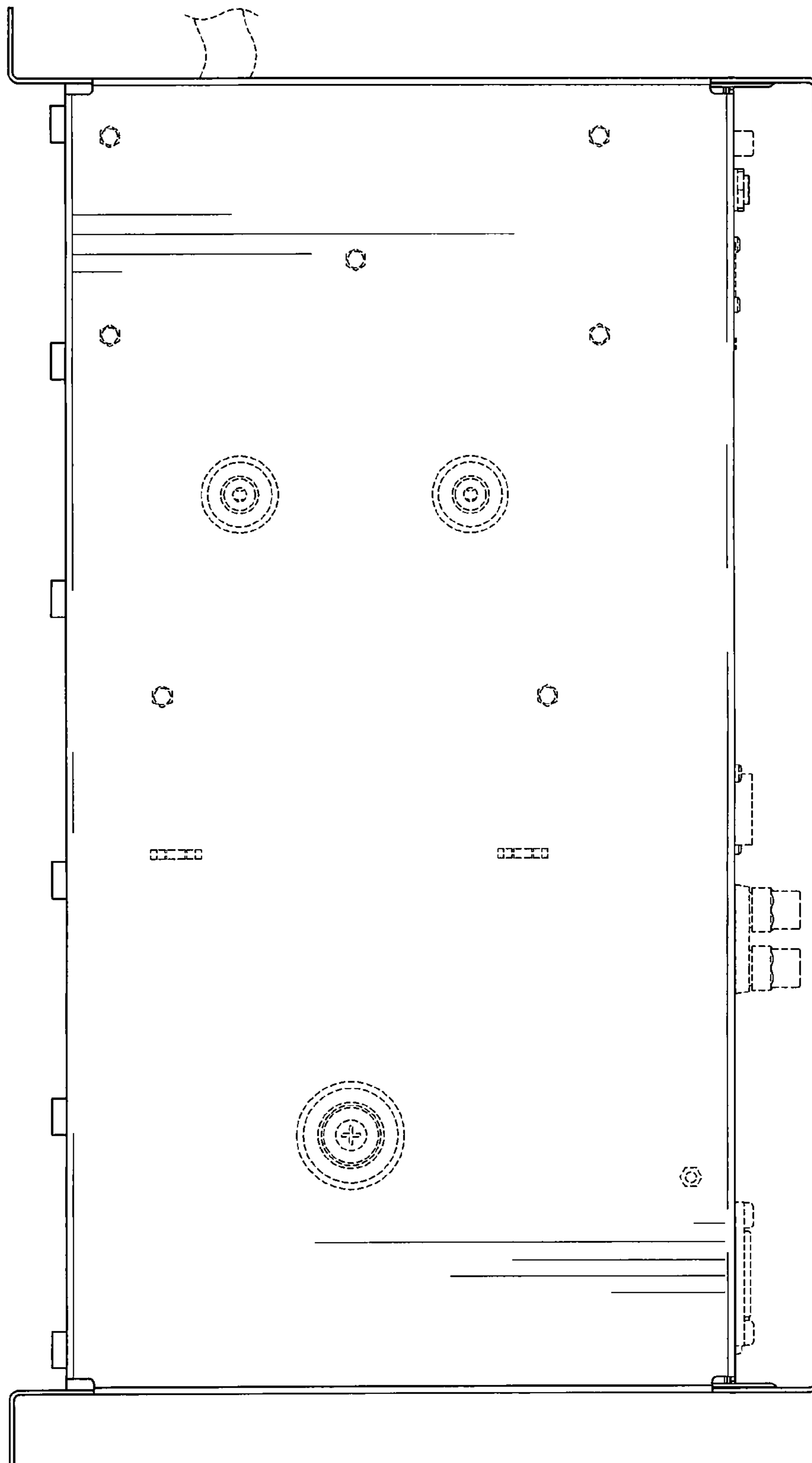


Fig. 5

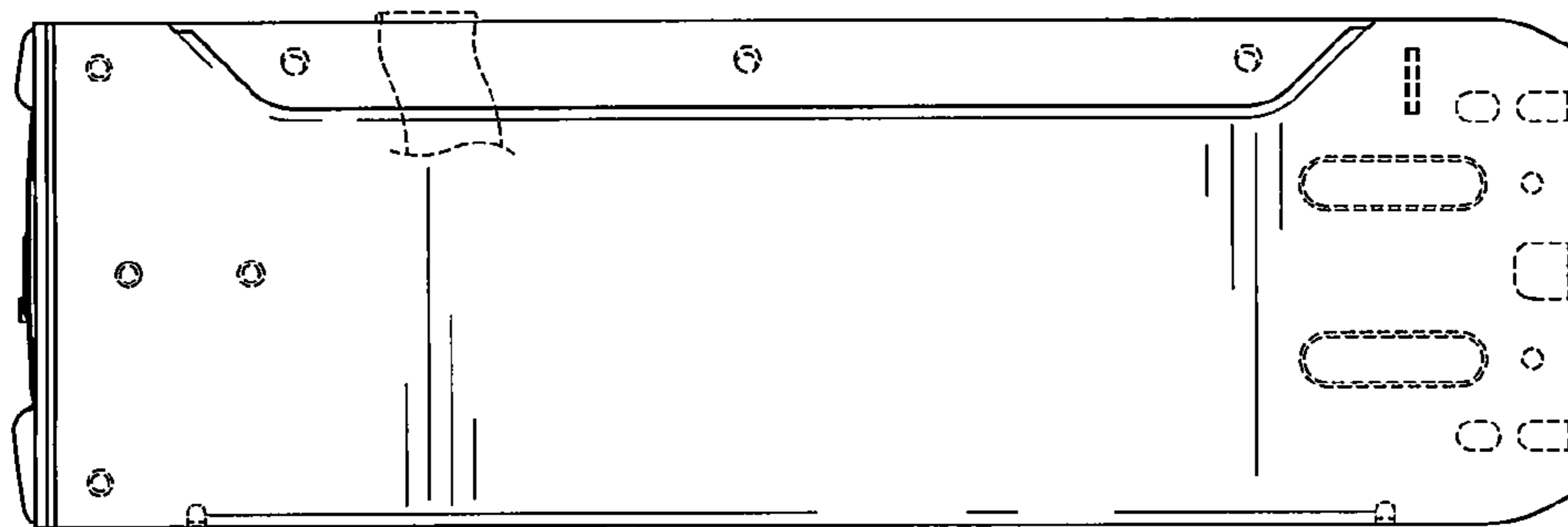


Fig. 6