

US00D629373S

(12) **United States Design Patent**
Kim et al.

(10) **Patent No.:** **US D629,373 S**
(45) **Date of Patent:** **** Dec. 21, 2010**

(54) **TELEVISION**

(75) Inventors: **Yeon Jin Kim**, Seoul (KR); **Dai Hyung Ryu**, Gyeonggi-do (KR); **Sa Yoon Hong**, Seoul (KR); **Tae Ho Kim**, Seoul (KR); **Kyong Tae Han**, Gyeonggi-do (KR); **Hee Su Yaung**, Seoul (KR); **He Won Kihl**, Seoul (KR); **Kwang Ho Choi**, Seoul (KR); **Youn Soo Kim**, Seoul (KR)

(73) Assignee: **LG Electronics Inc.**, Seoul (KR)

(**) Term: **14 Years**

(21) Appl. No.: **29/363,932**

(22) Filed: **Jun. 16, 2010**

(30) **Foreign Application Priority Data**

Dec. 18, 2009 (KR) 30-2009-0056001

(51) **LOC (9) Cl.** **14-03**

(52) **U.S. Cl.** **D14/126**

(58) **Field of Classification Search** D14/125–134,
D14/239, 371, 136, 374–377, 440, 450, 448,
D14/336, 342; 312/7.2; 348/836, 838, 180,
348/184, 325, 739; 341/12; 248/917–924,
248/465; 345/104, 133, 156, 168, 87, 173;
720/605, 669, 600, 655; 369/99, 197; D21/329,
D21/515, 577, 622, 333, 433, 448, 452, 450,
D21/331; D6/477, 479, 300; 273/148 B;
446/484, 175, 356; D10/15, 26

See application file for complete search history.

(56) **References Cited**

U.S. PATENT DOCUMENTS

D540,280 S * 4/2007 Yeo D14/126

D541,773 S * 5/2007 Chong et al. D14/126
D566,071 S * 4/2008 Kaneko D14/126
D572,677 S * 7/2008 Niitsu D14/126
D572,743 S * 7/2008 Madonna et al. D14/126
D598,406 S * 8/2009 Wang D14/126
D599,758 S * 9/2009 Chiu D14/126
D609,658 S * 2/2010 Kim et al. D14/126

* cited by examiner

Primary Examiner—Raphael Barkai

(74) *Attorney, Agent, or Firm*—Morgan Lewis & Bockius LLP

(57) **CLAIM**

The ornamental design for a television, as shown and described.

DESCRIPTION

FIG. 1 is a top, front, perspective view of a television showing our new design;

FIG. 2 is a front view thereof;

FIG. 3 is a rear view thereof;

FIG. 4 is a left side view thereof;

FIG. 5 is a right side view thereof;

FIG. 6 is a top view thereof; and,

FIG. 7 is a bottom view thereof.

1 Claim, 5 Drawing Sheets

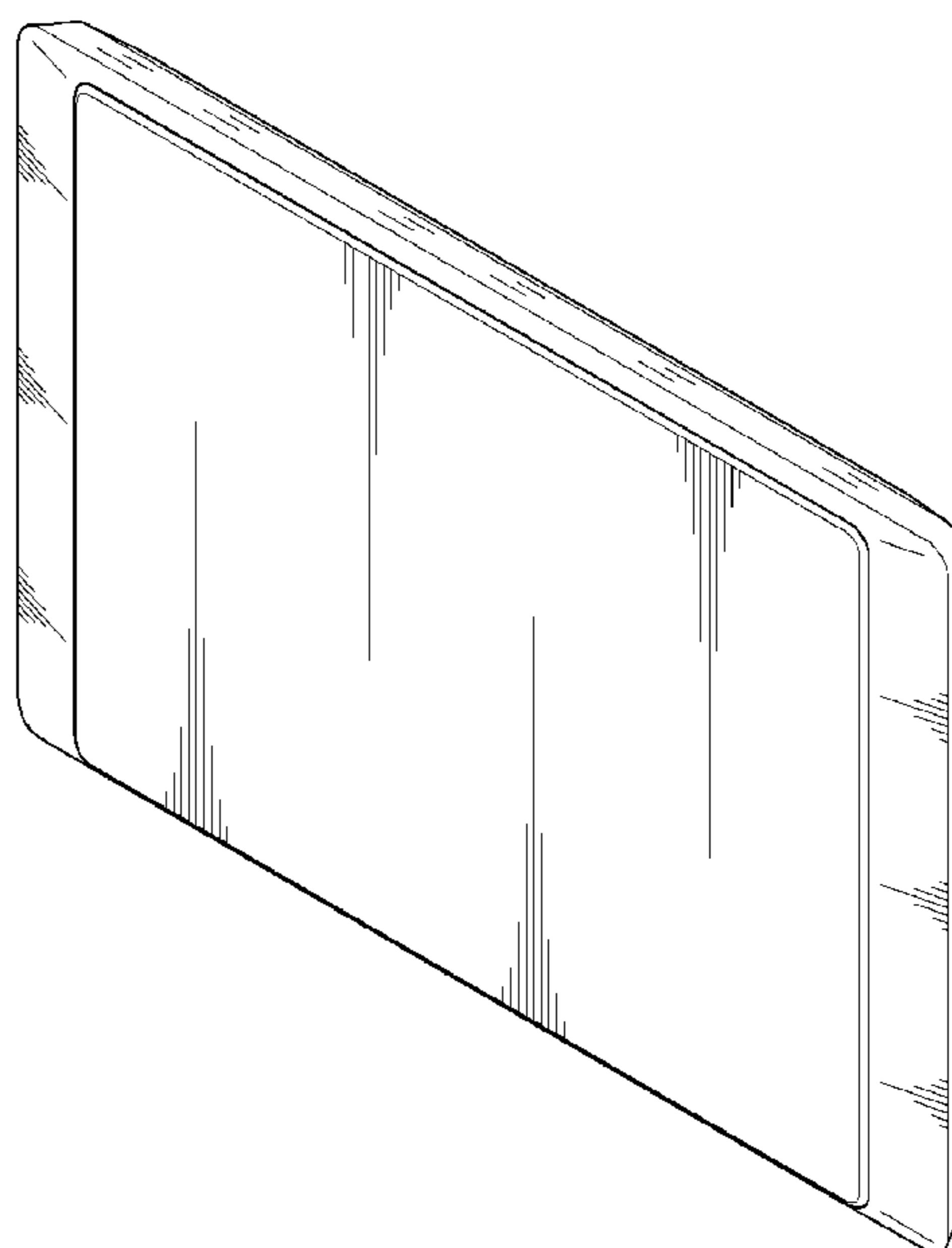


FIG. 1

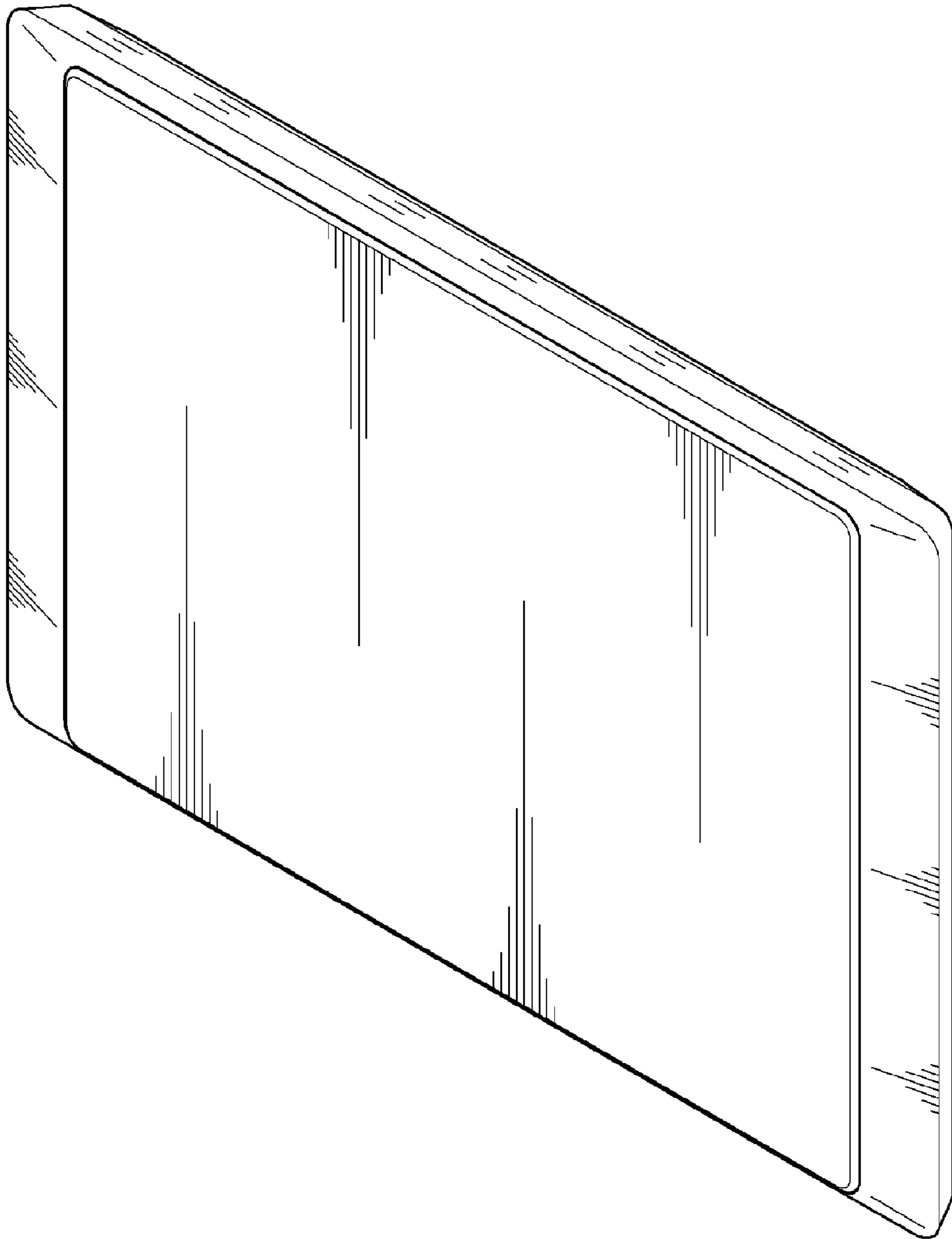


FIG. 2

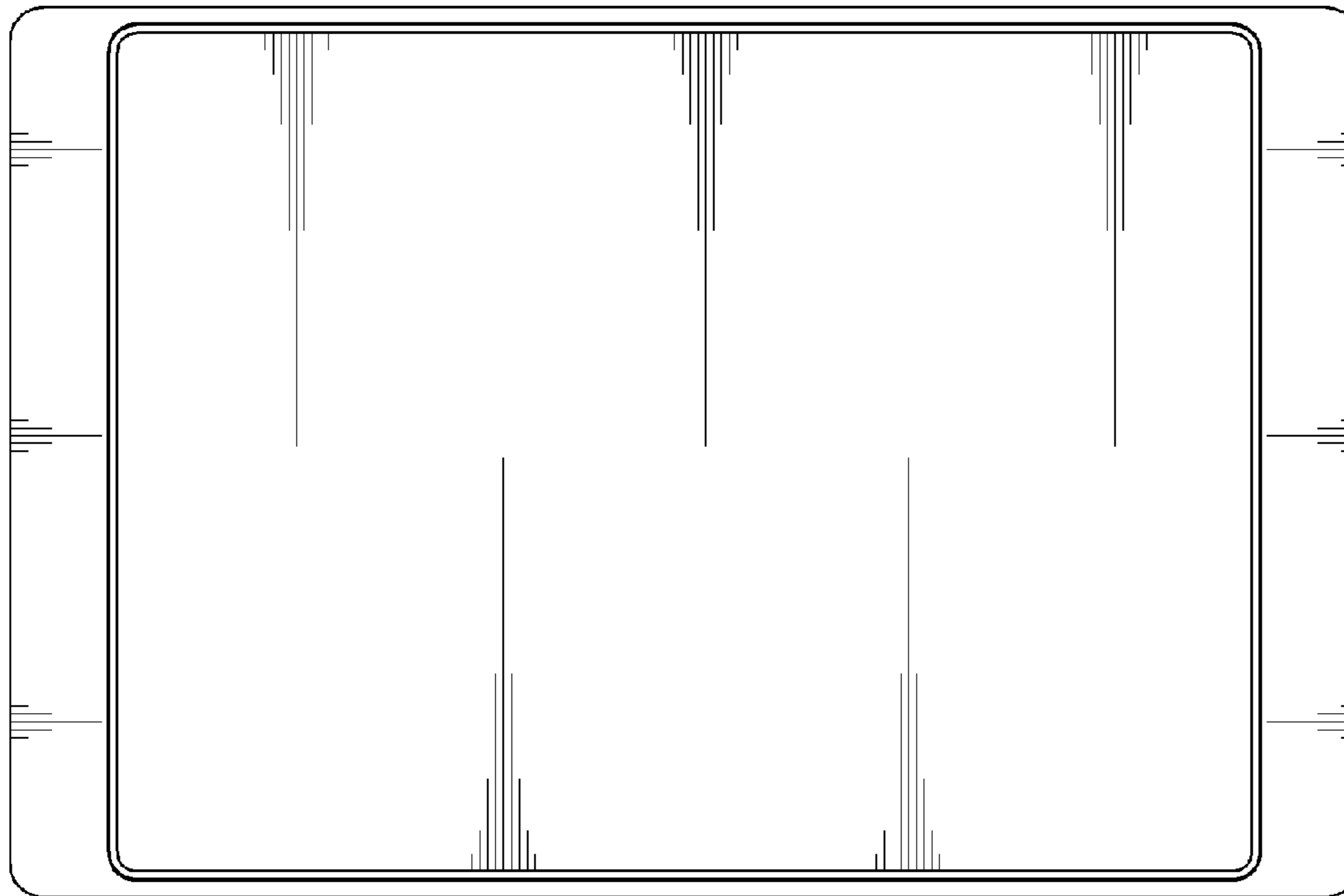


FIG. 3

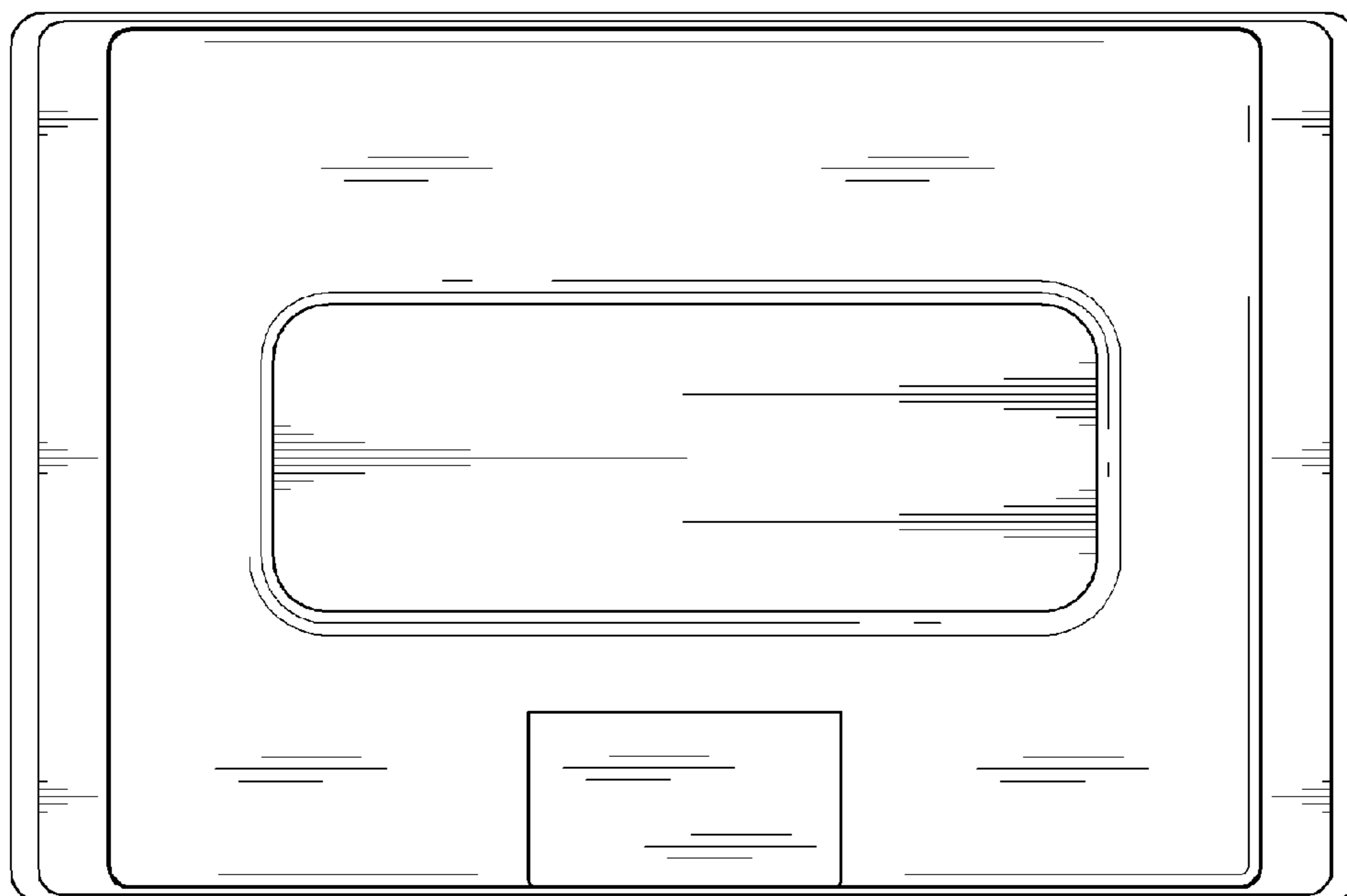


FIG. 4

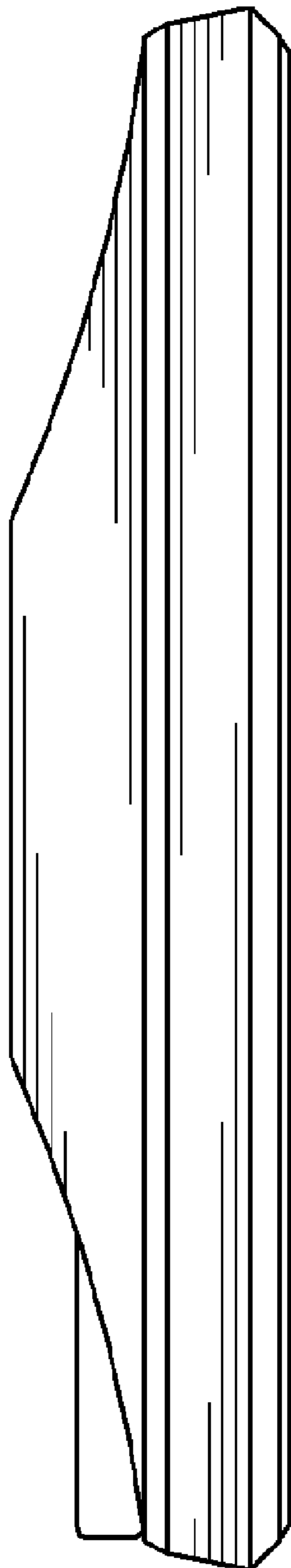


FIG. 5

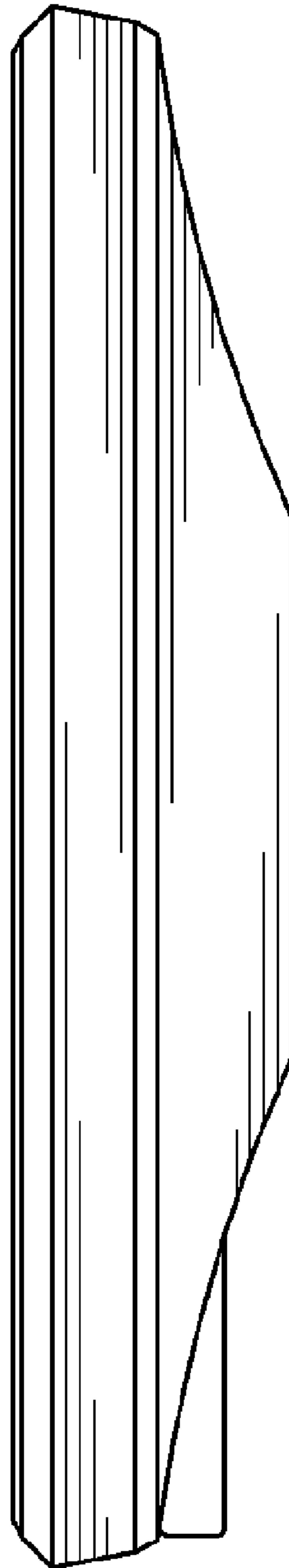


FIG. 6

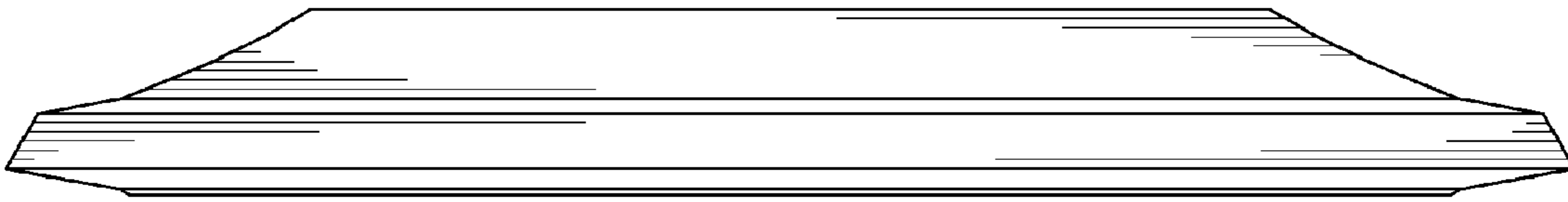


FIG. 7

