



US00D629372S

(12) **United States Design Patent**
Lim et al.

(10) **Patent No.:** **US D629,372 S**
(45) **Date of Patent:** **** Dec. 21, 2010**

(54) **TELEVISION**

(75) Inventors: **Jae Won Lim**, Seoul (KR); **Woo Suk Park**, Jeonbuk (KR); **Jong Chul Kim**, Gyeonggi-do (KR); **Hye Young Hong**, Seoul (KR)

(73) Assignee: **LG Electronics Inc.**, Seoul (KR)

(**) Term: **14 Years**

(21) Appl. No.: **29/361,171**

(22) Filed: **May 6, 2010**

(30) **Foreign Application Priority Data**

Nov. 11, 2009 (KR) 30-2009-0049614

(51) **LOC (9) Cl.** **14-03**

(52) **U.S. Cl.** **D14/126**

(58) **Field of Classification Search** D14/125-134, D14/239, 371, 136, 374-377, 440, 450, 448, D14/336, 342; 312/7.2; 348/836, 838, 180, 348/184, 325, 739; 341/12; 248/917-924, 248/465; 345/104, 133, 156, 168, 87, 173; 720/605, 669, 600, 655; 369/99, 197; 455/344, 455/347; D21/329, 515, 577, 622, 333, 433, D21/448, 452, 450, 331; D6/477, 479, 300; 273/148 B; 446/484, 175, 356; D10/15, D10/26

See application file for complete search history.

(56) **References Cited**

U.S. PATENT DOCUMENTS

D540,275 S * 4/2007 Lewis D14/126

D540,284 S * 4/2007 Kita D14/126
D607,854 S * 1/2010 Sagawa D14/126
D615,513 S * 5/2010 Yamaguchi et al. D14/126
D615,939 S * 5/2010 Honda D14/126
D618,640 S * 6/2010 Won et al. D14/126

* cited by examiner

Primary Examiner—Raphael Barkai

(74) *Attorney, Agent, or Firm*—Morgan Lewis & Bockius LLP

(57) **CLAIM**

The ornamental design for a television, as shown and described.

DESCRIPTION

FIG. 1 is a top, front, perspective view of a television showing our new design;

FIG. 2 is a front view thereof;

FIG. 3 is a rear view thereof;

FIG. 4 is a left side view thereof;

FIG. 5 is a right side view thereof;

FIG. 6 is a top view thereof;

FIG. 7 is a bottom view thereof; and,

FIG. 8 is a reference view thereof.

1 Claim, 7 Drawing Sheets

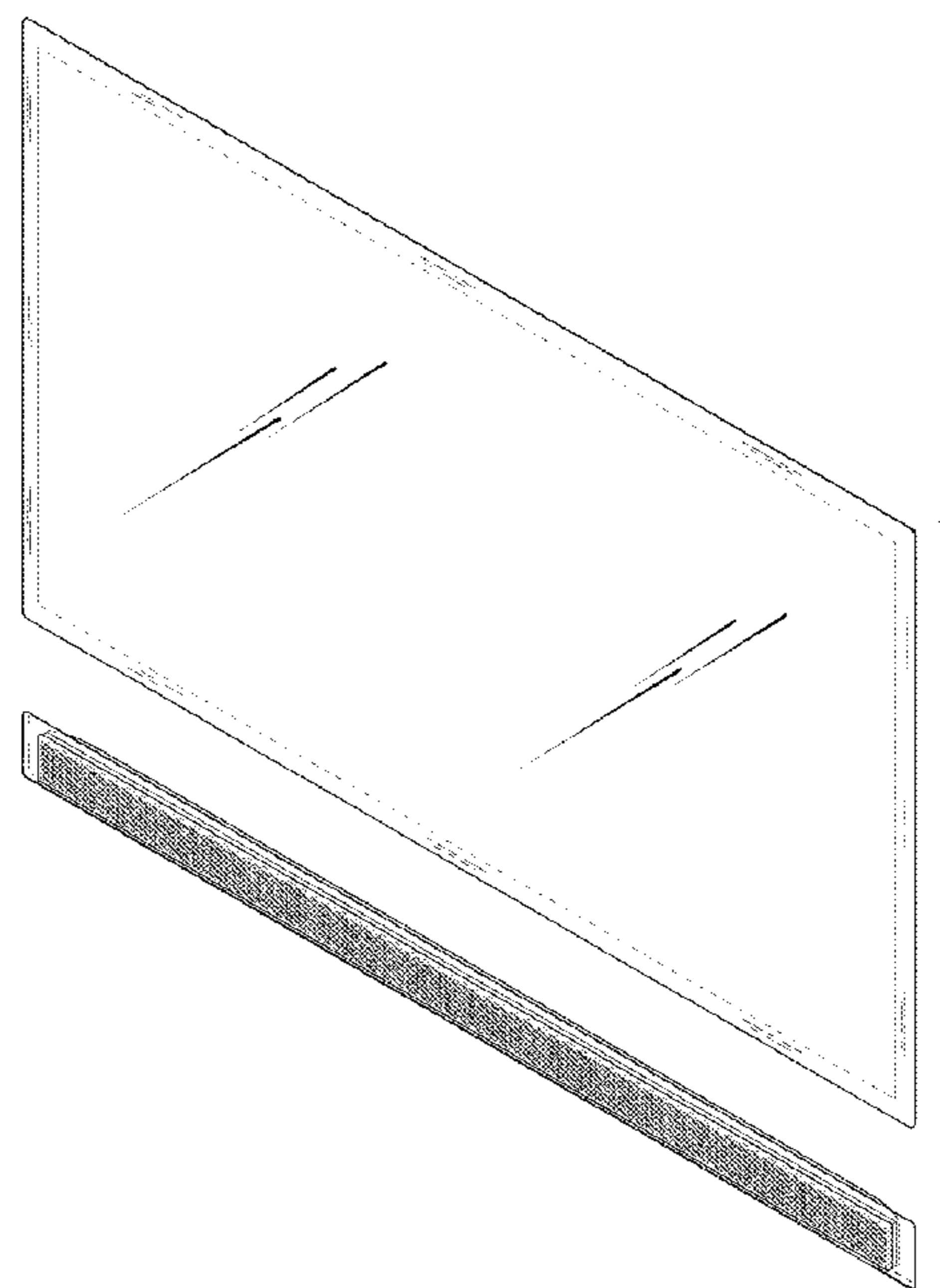


FIG. 1

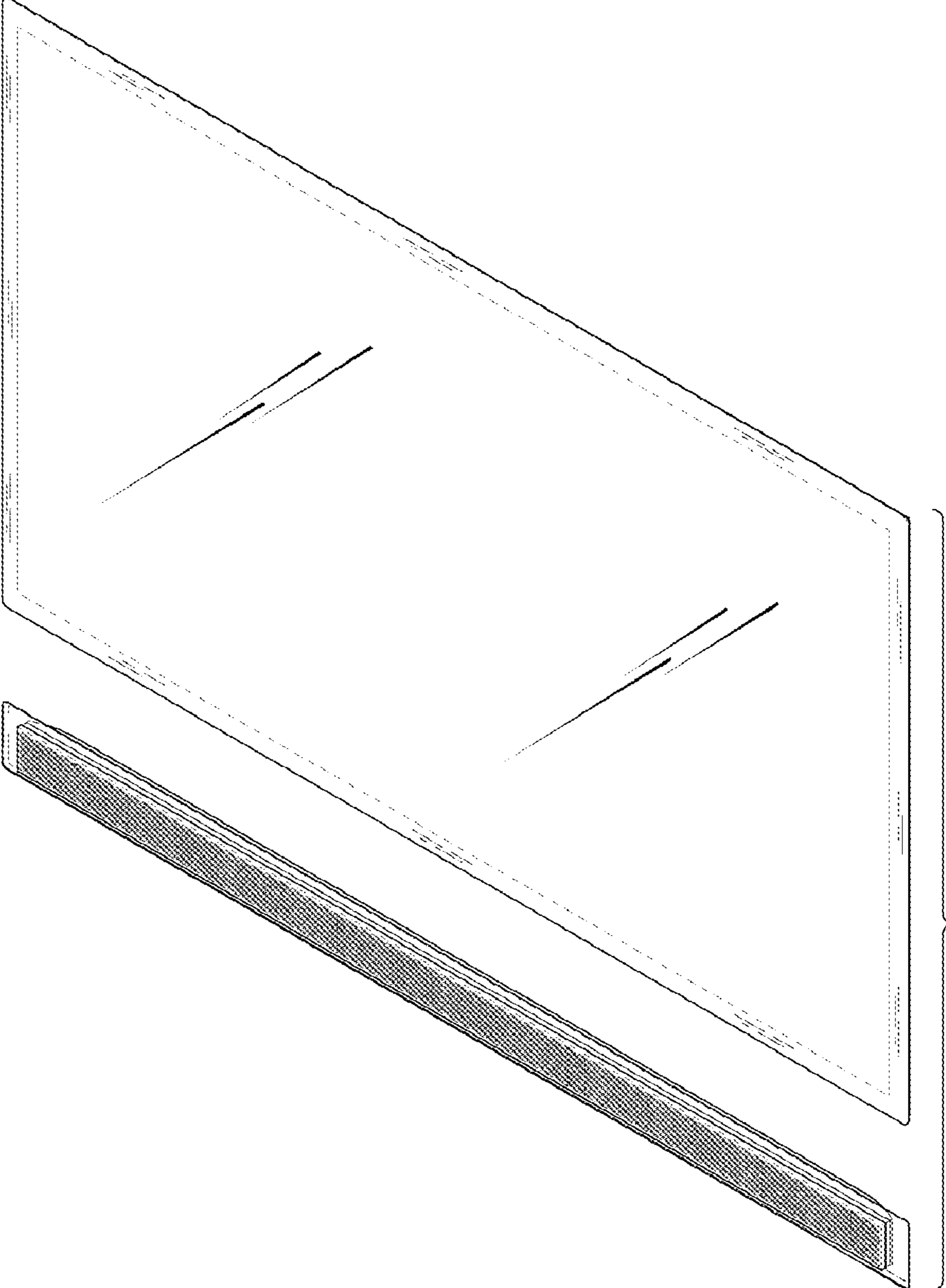


FIG. 2

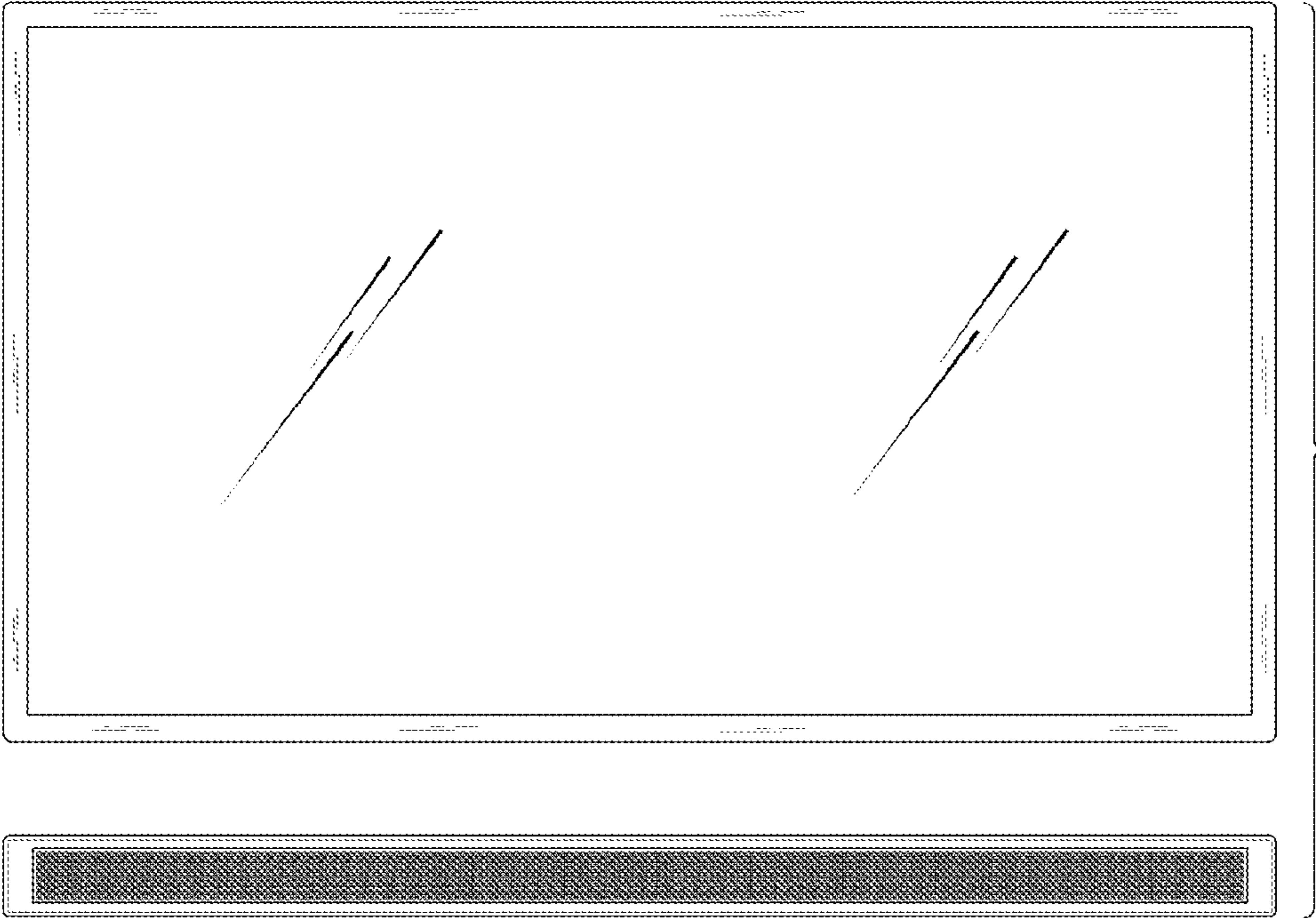


FIG. 3

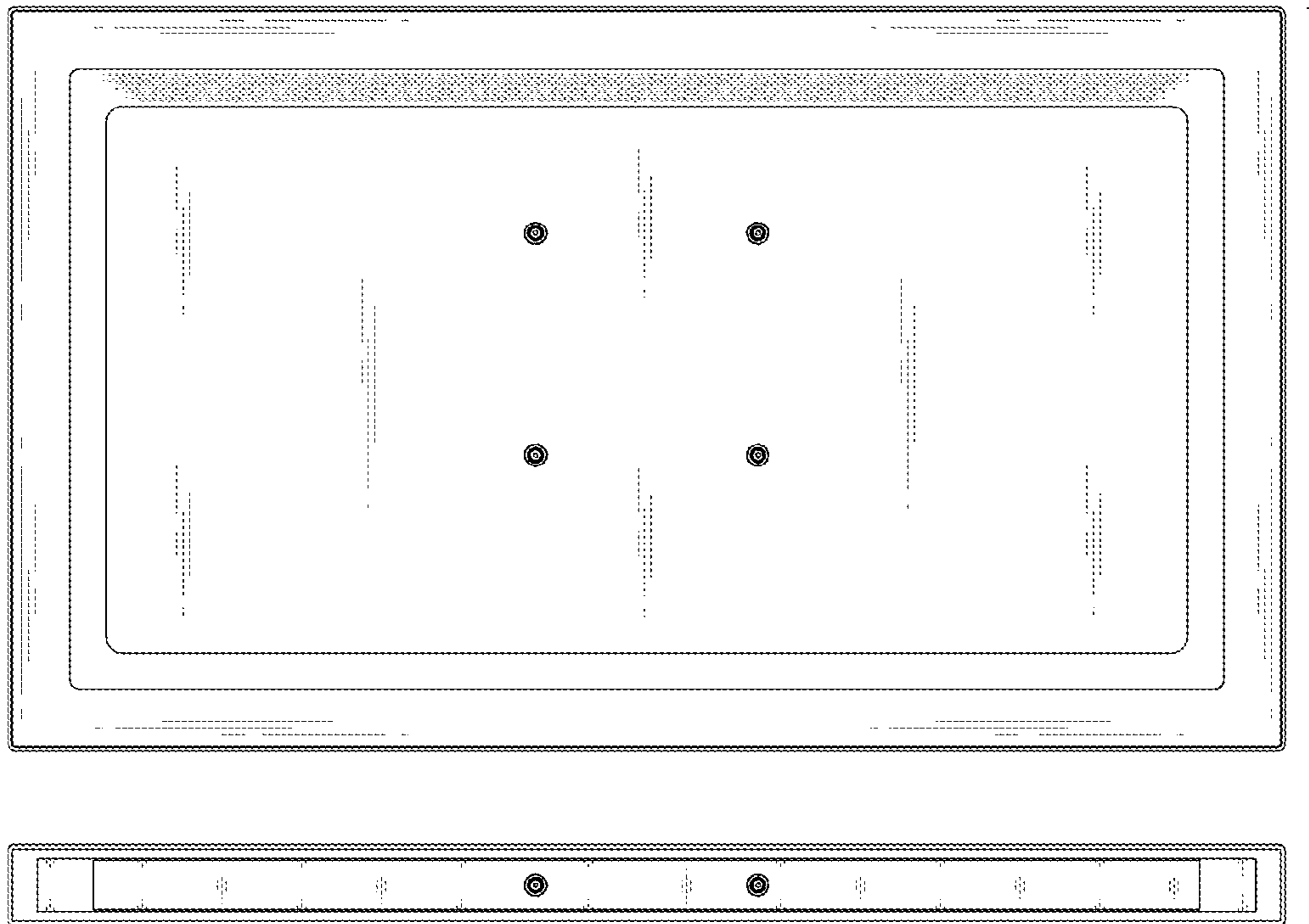


FIG. 4

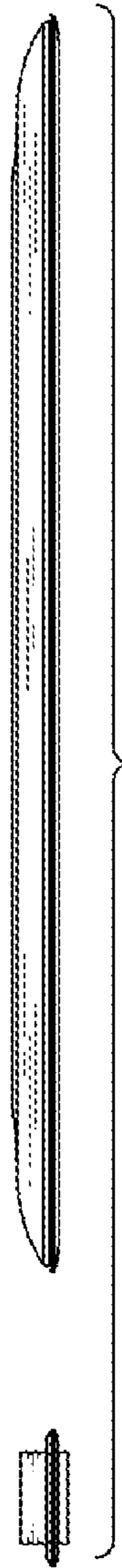


FIG. 5

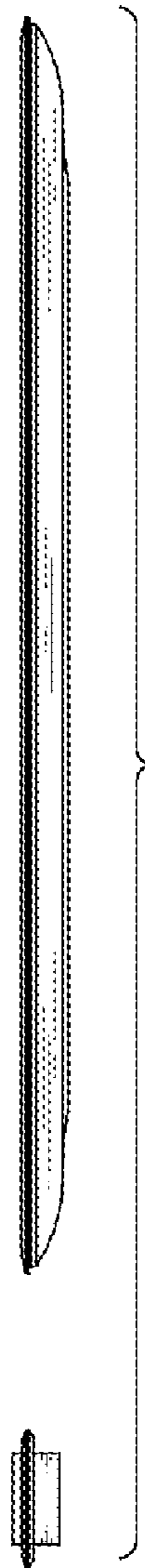


FIG. 6



FIG. 7



FIG. 8

