



US00D629368S

(12) **United States Design Patent**  
**Chou**

(10) **Patent No.:** **US D629,368 S**

(45) **Date of Patent:** **\*\* Dec. 21, 2010**

(54) **LIGHT EMITTING DIODE**

(75) Inventor: **Ta-Wei Chou**, Tucheng (TW)

(73) Assignee: **Everlight Electronics Co., Ltd.**,  
Tucheng, Taipei County (TW)

(\*\*) Term: **14 Years**

(21) Appl. No.: **29/359,183**

(22) Filed: **Apr. 7, 2010**

(51) **LOC (9) Cl.** ..... **13-03**

(52) **U.S. Cl.** ..... **D13/180**

(58) **Field of Classification Search** ..... D13/180;  
D26/2; 257/79, 80, 81, 88, 89, 95, 98, 99,  
257/100, E33.058; 313/483, 498, 500; 362/555,  
362/800

See application file for complete search history.

(56) **References Cited**

**U.S. PATENT DOCUMENTS**

D524,260 S *	7/2006	Ishizaka et al.	.....	D13/180
D571,316 S *	6/2008	Lee et al.	.....	D13/180
7,441,926 B2 *	10/2008	Pei et al.	.....	362/294
7,547,923 B2 *	6/2009	Shin et al.	.....	257/99
D598,871 S *	8/2009	Eberle et al.	.....	D13/180
D618,636 S *	6/2010	Hsieh	.....	D13/180
2007/0164302 A1 *	7/2007	Tanda	.....	257/98
2007/0205419 A1 *	9/2007	Ono et al.	.....	257/79
2008/0054286 A1 *	3/2008	Loh et al.	.....	257/98
2008/0149960 A1 *	6/2008	Amo et al.	.....	257/98
2009/0020773 A1 *	1/2009	Nomura et al.	.....	257/98
2009/0122514 A1 *	5/2009	Yoon et al.	.....	362/84

2009/0242914 A1\* 10/2009 Ku ..... 257/98

\* cited by examiner

*Primary Examiner*—Selina Sikder

(74) *Attorney, Agent, or Firm*—Thomas, Kayden,  
Horstemeyer & Risley, LLP

(57) **CLAIM**

The ornamental design for a light emitting diode, as shown and described.

**DESCRIPTION**

FIG. 1 is a perspective view of a light emitting diode showing the claimed design;

FIG. 2 is another perspective view thereof;

FIG. 3 is a front elevational view thereof;

FIG. 4 is a rear side elevational view thereof;

FIG. 5 is a left side elevational view thereof;

FIG. 6 is a right side elevational view thereof;

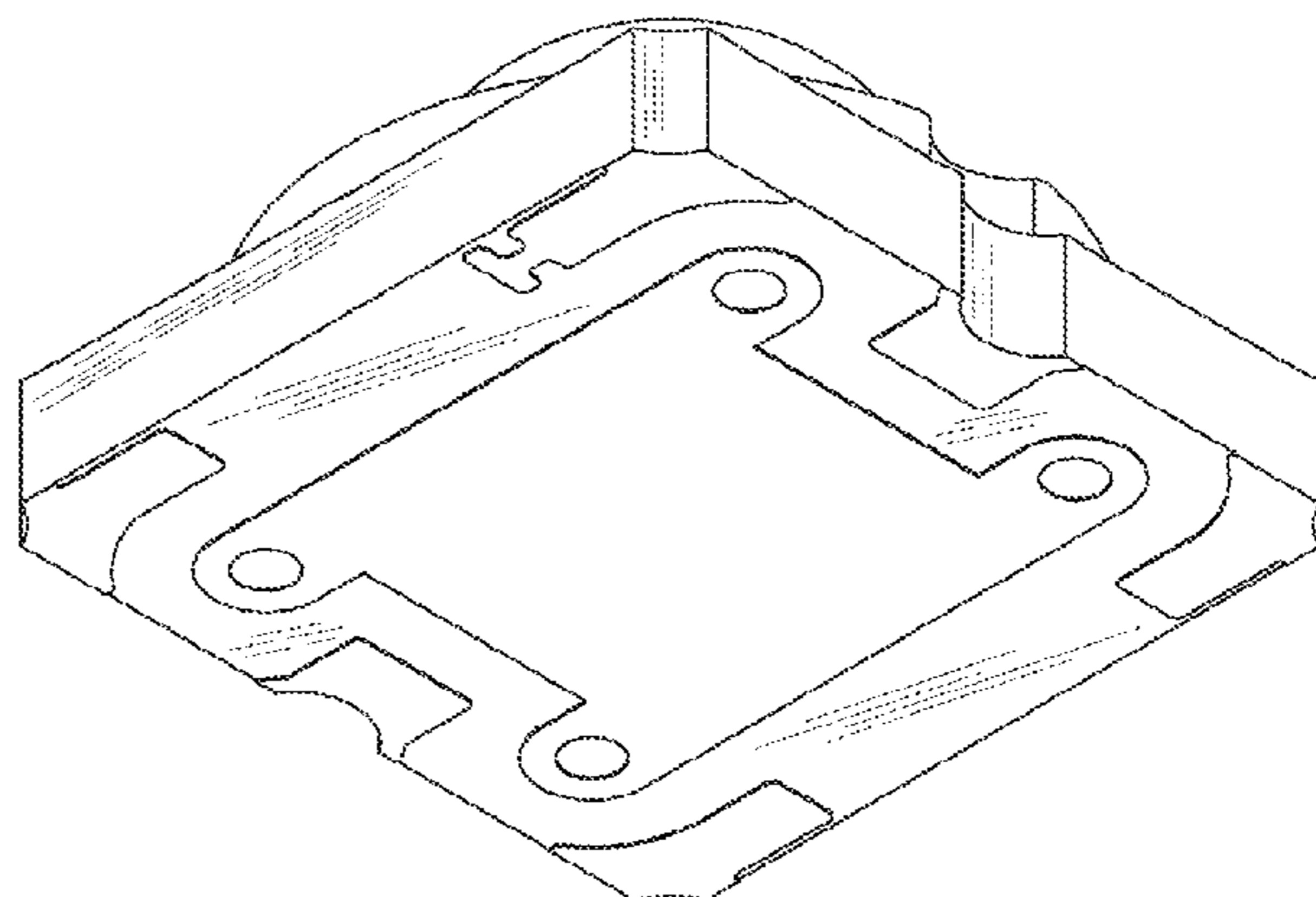
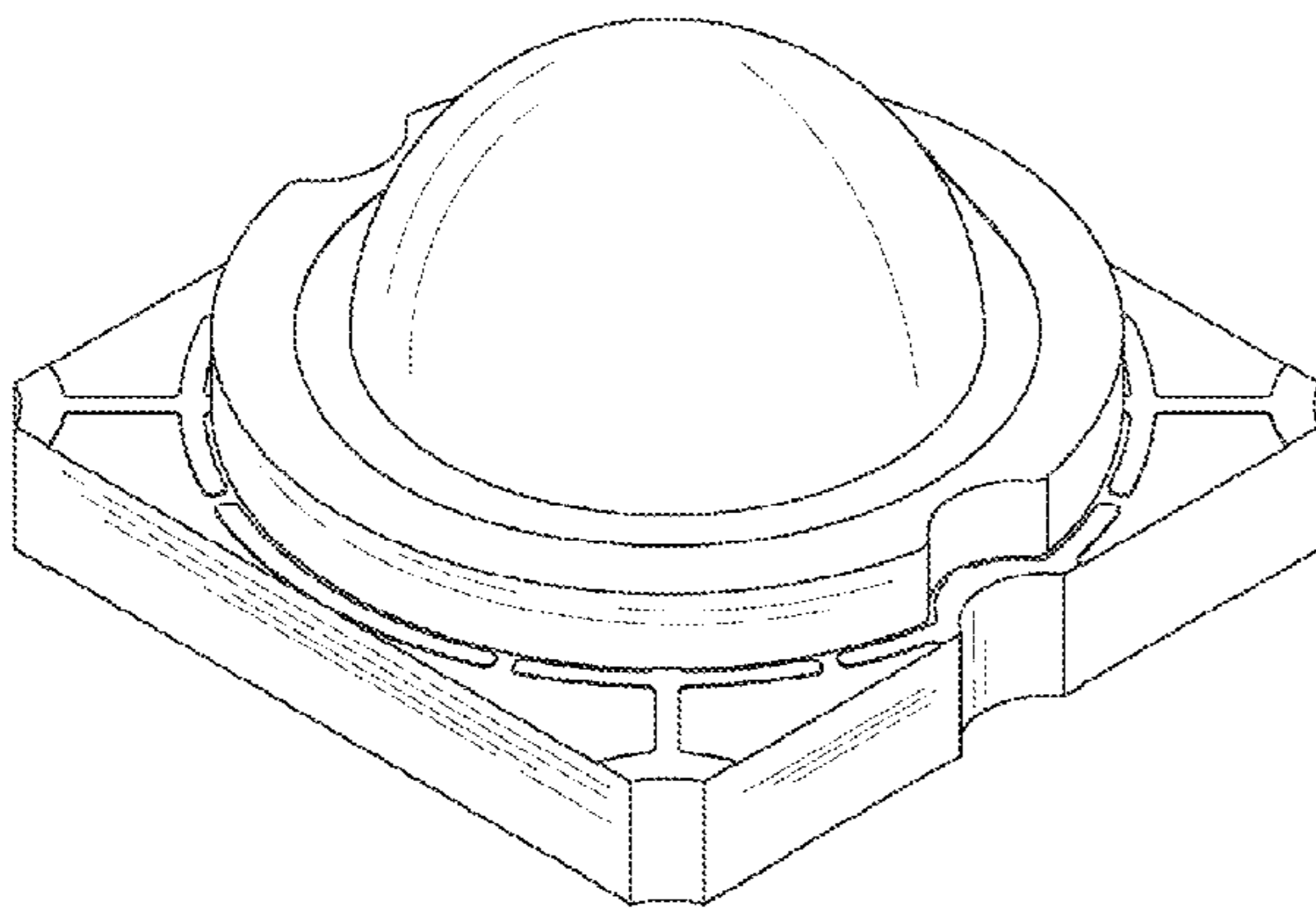
FIG. 7 is a top plan view thereof;

FIG. 8 is a bottom plan view thereof; and,

FIG. 9 is a reference view showing the visible inner structure through the dome-like light transmissible portion which is translucent or transparent.

The dome-like light-transmissible portion of the design is made of light-transmissible material, which can be (e.g., frosted), translucent, or transparent. The broken lines are directed to environmental features and are for illustrative purpose only; the broken lines form no part of the claimed design.

**1 Claim, 6 Drawing Sheets**



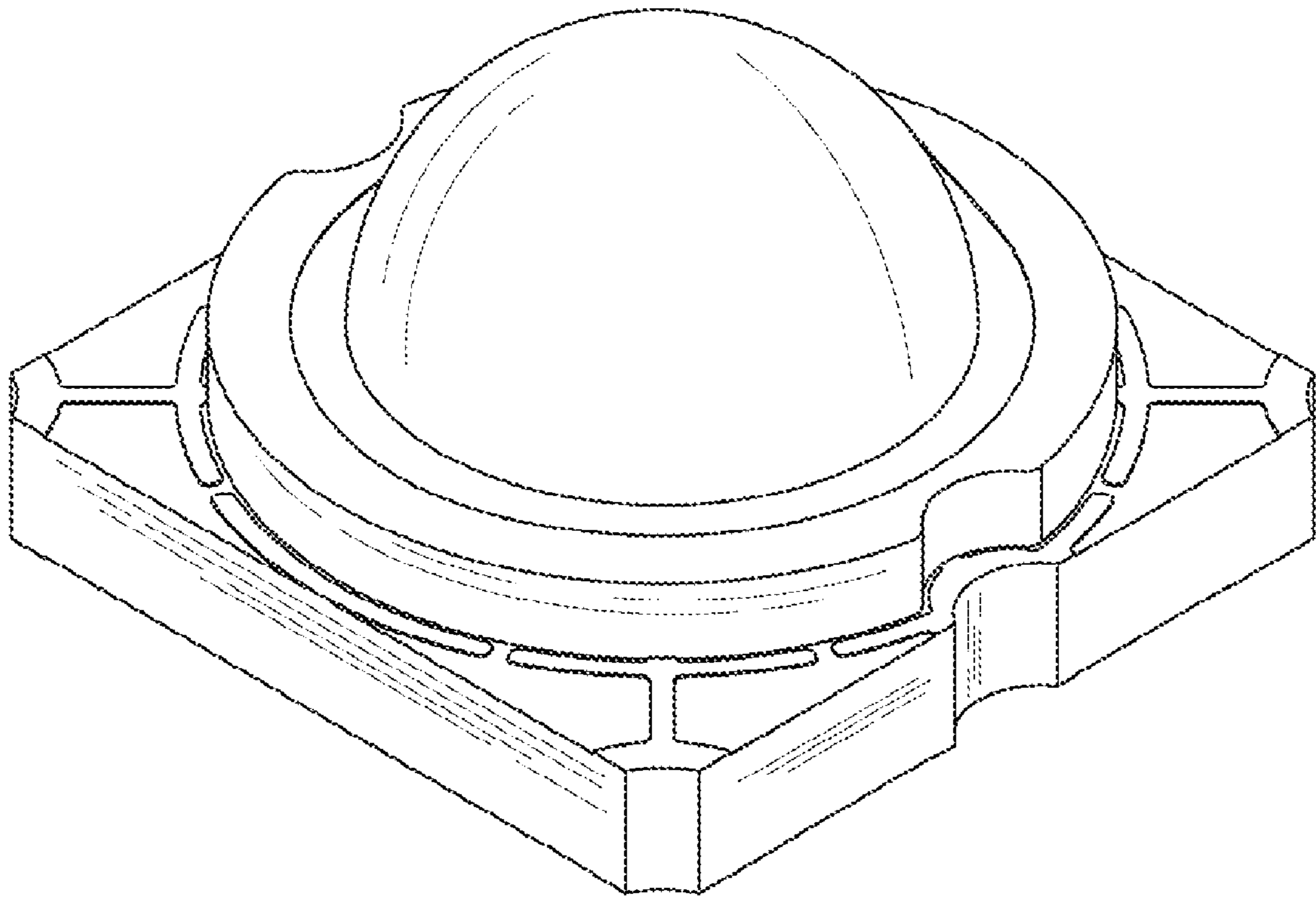


FIG. 1

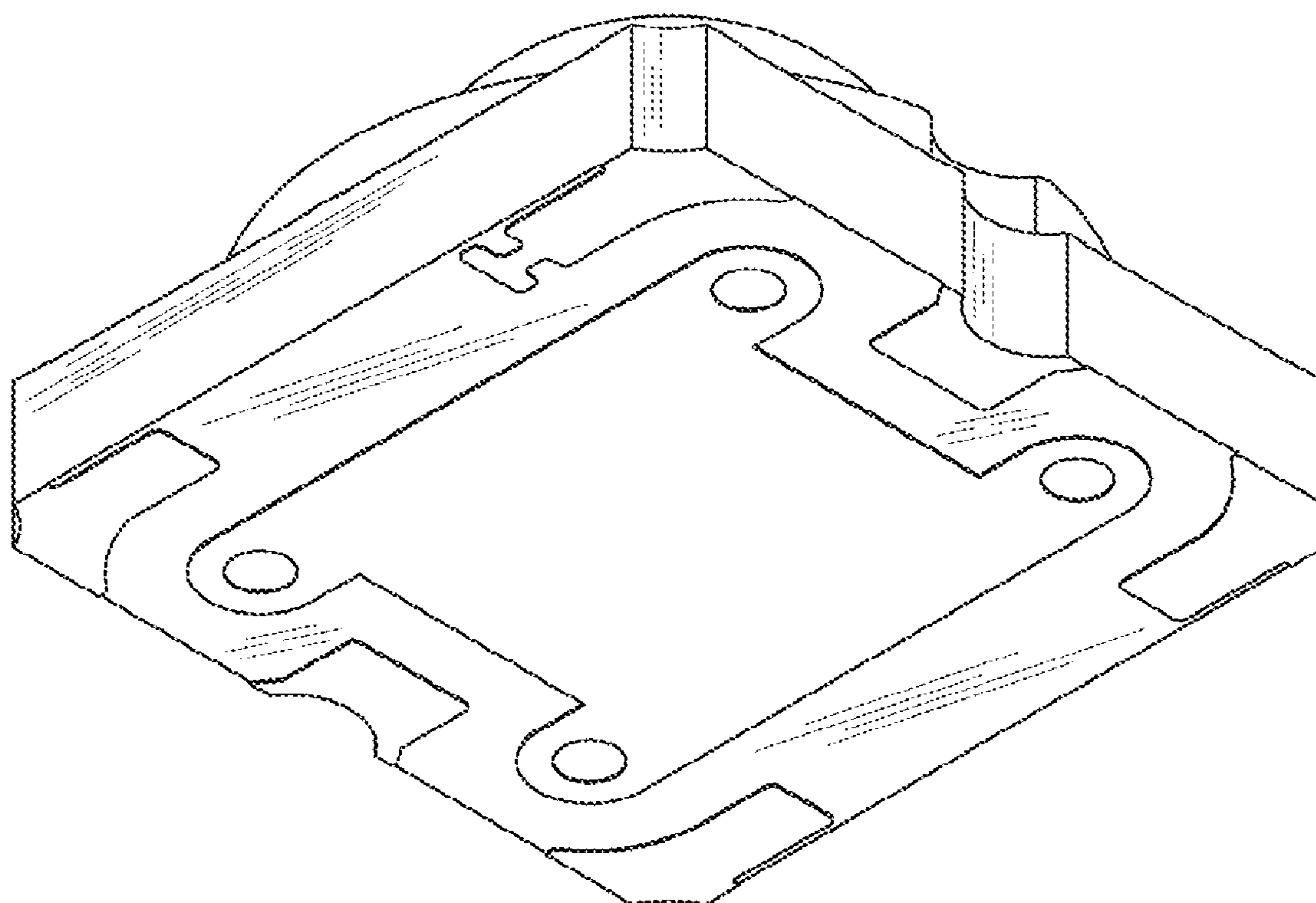


FIG.2

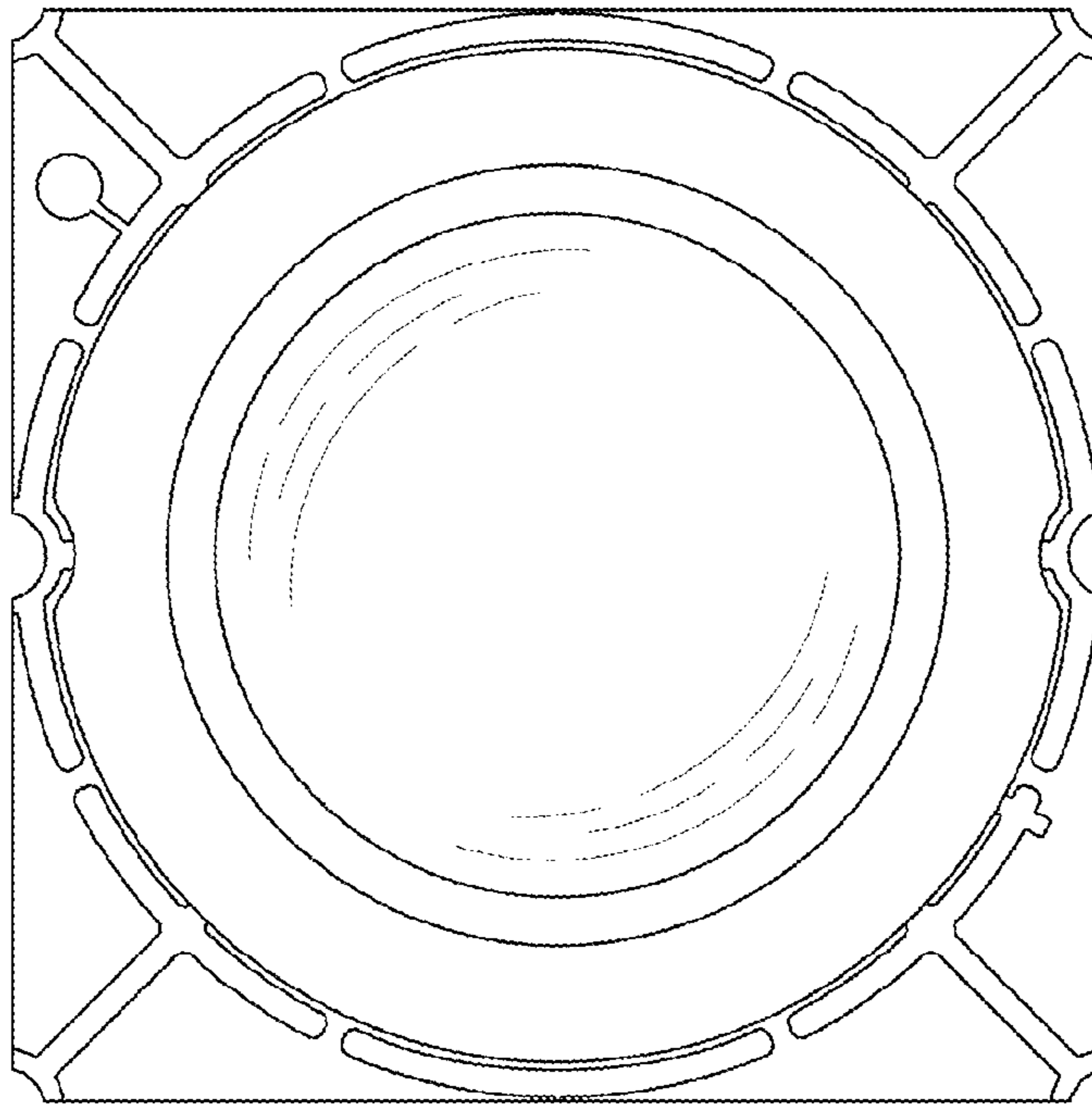


FIG. 3

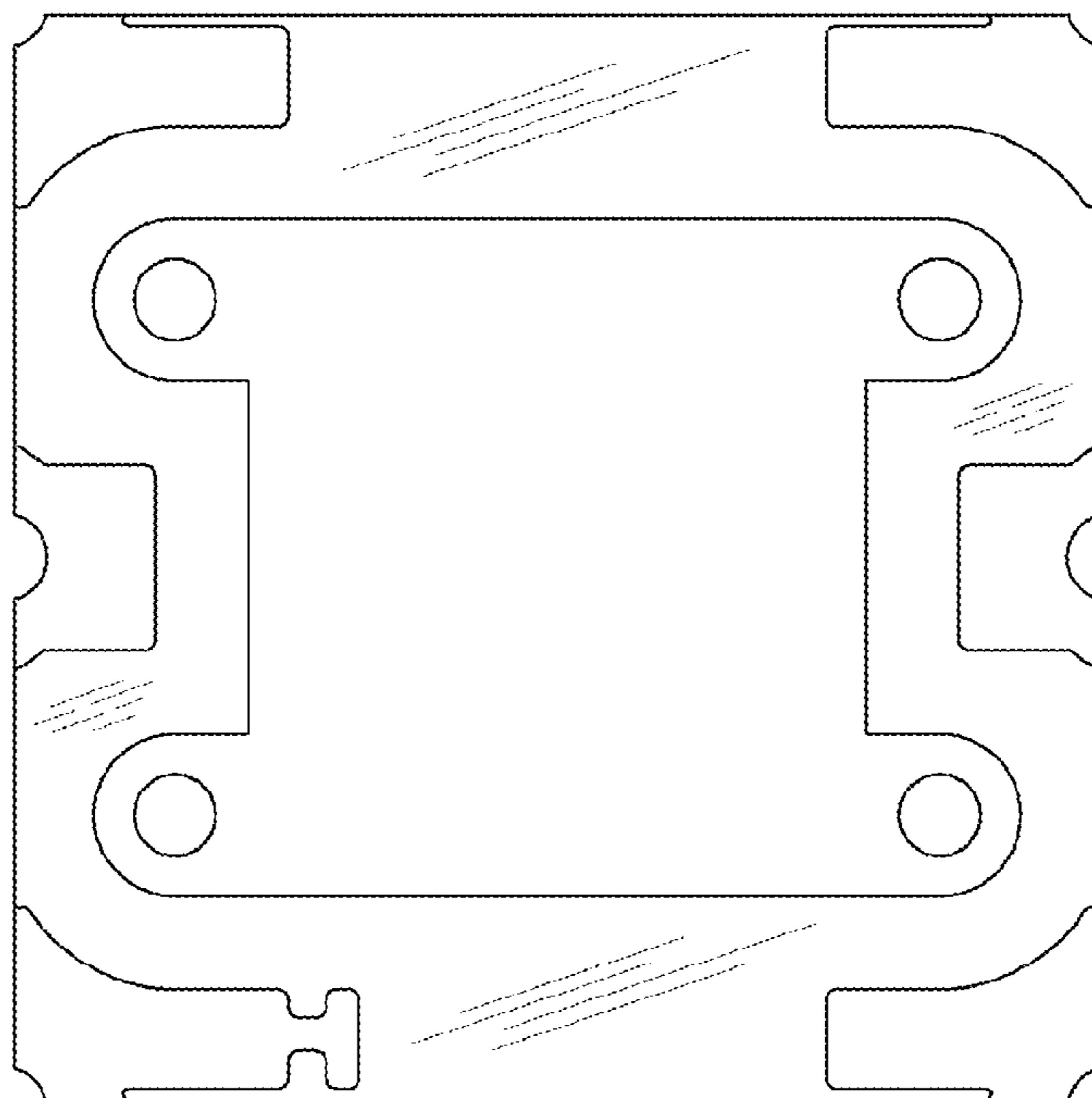


FIG. 4

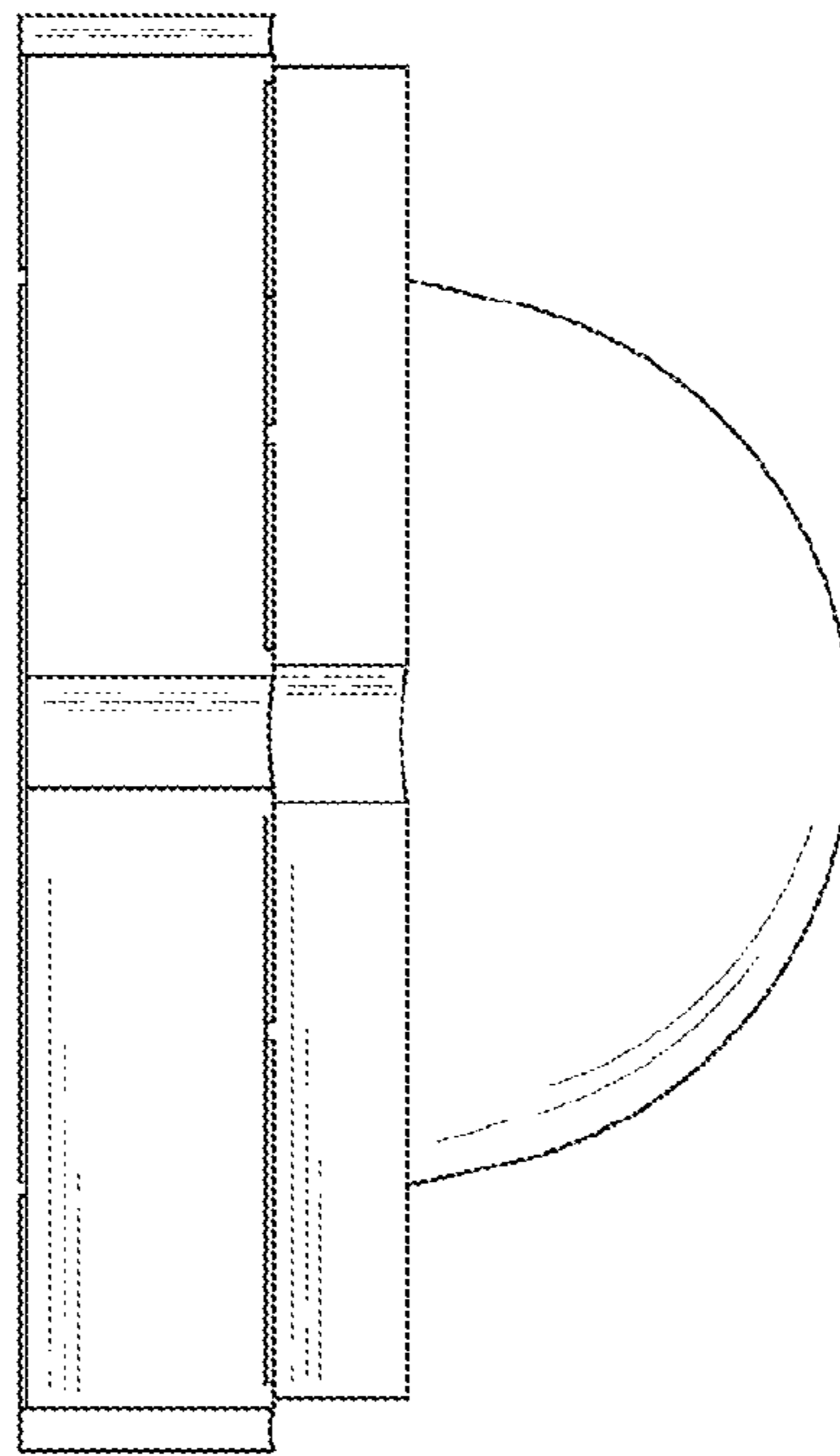


FIG. 5

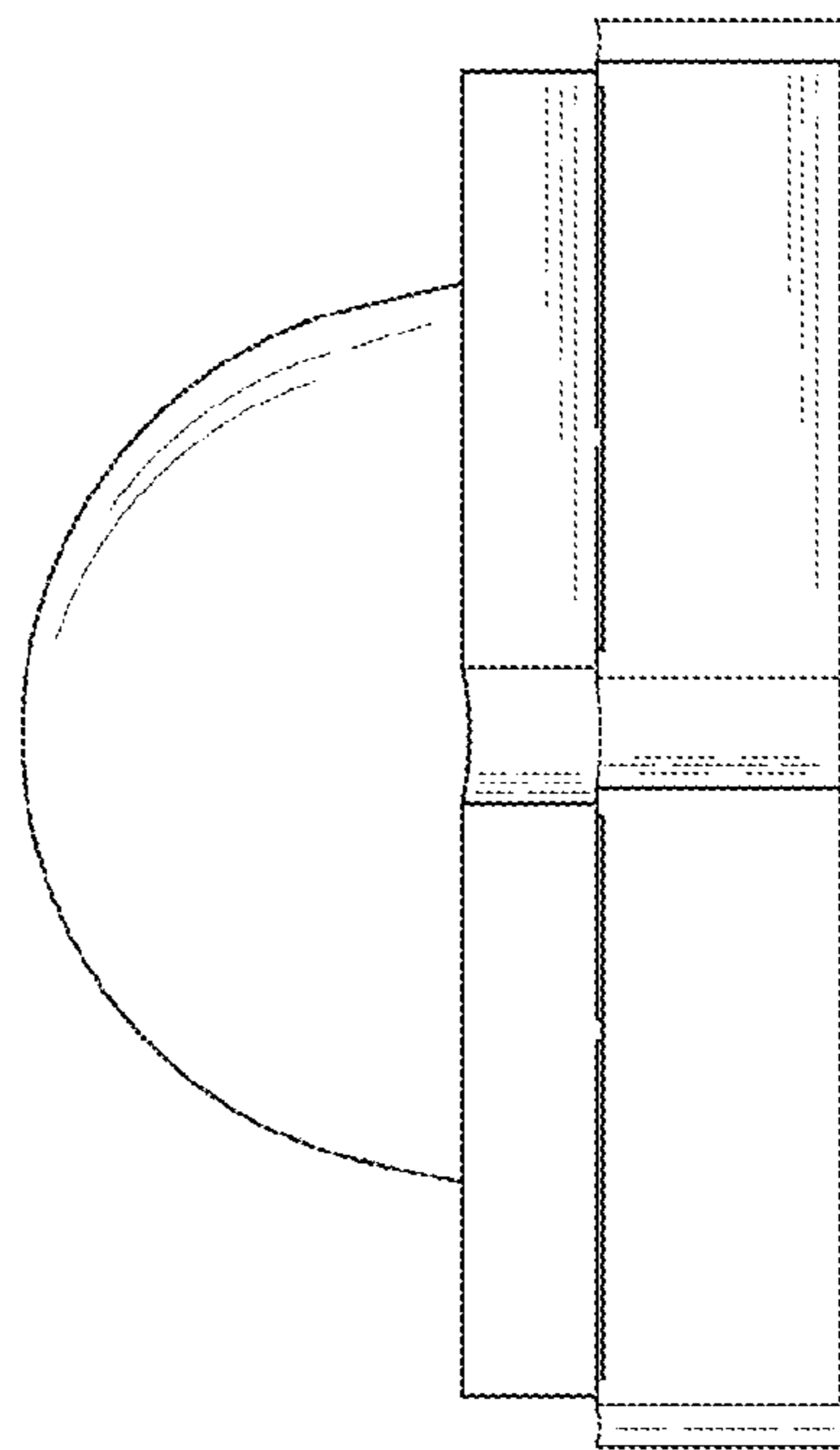


FIG. 6

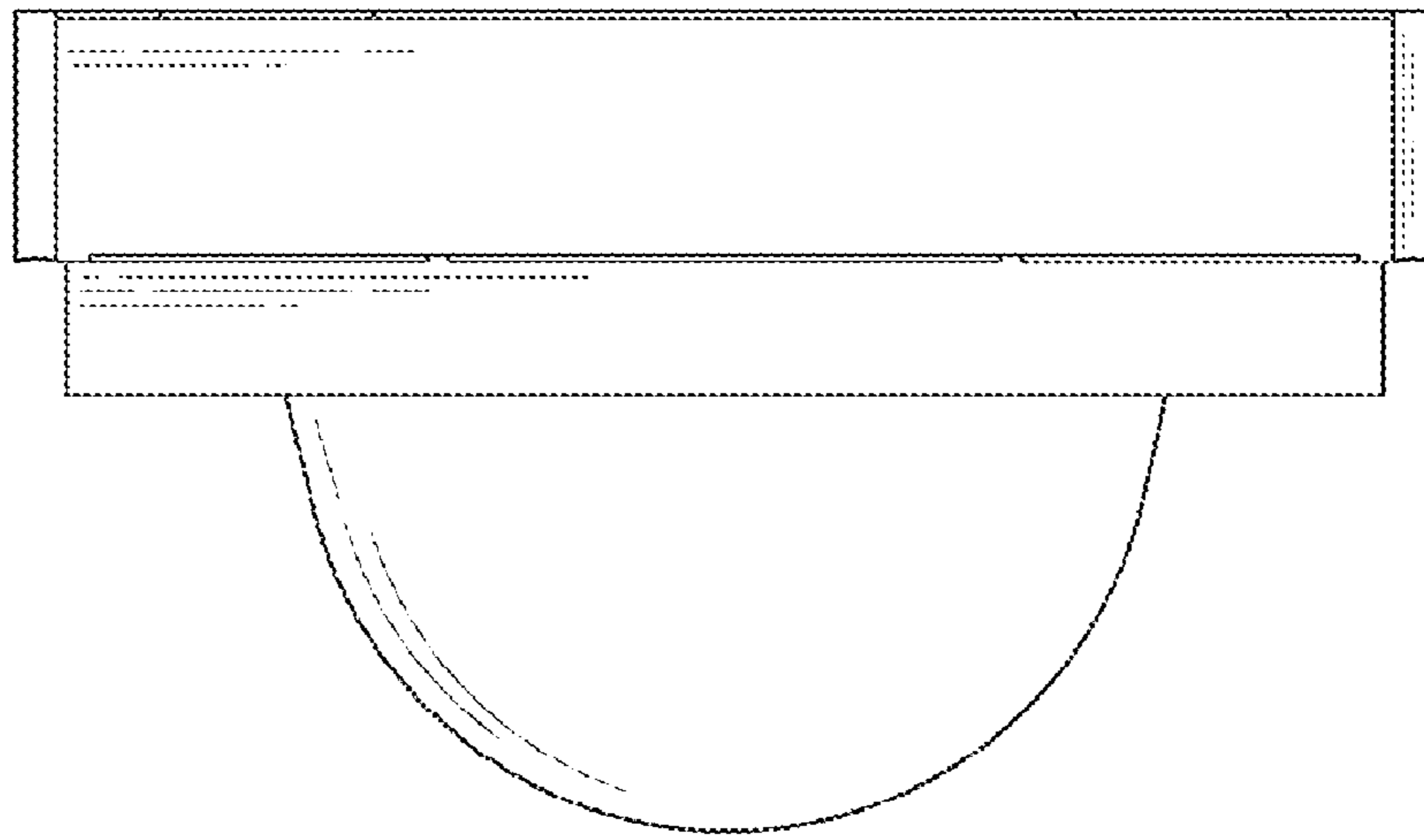


FIG. 7

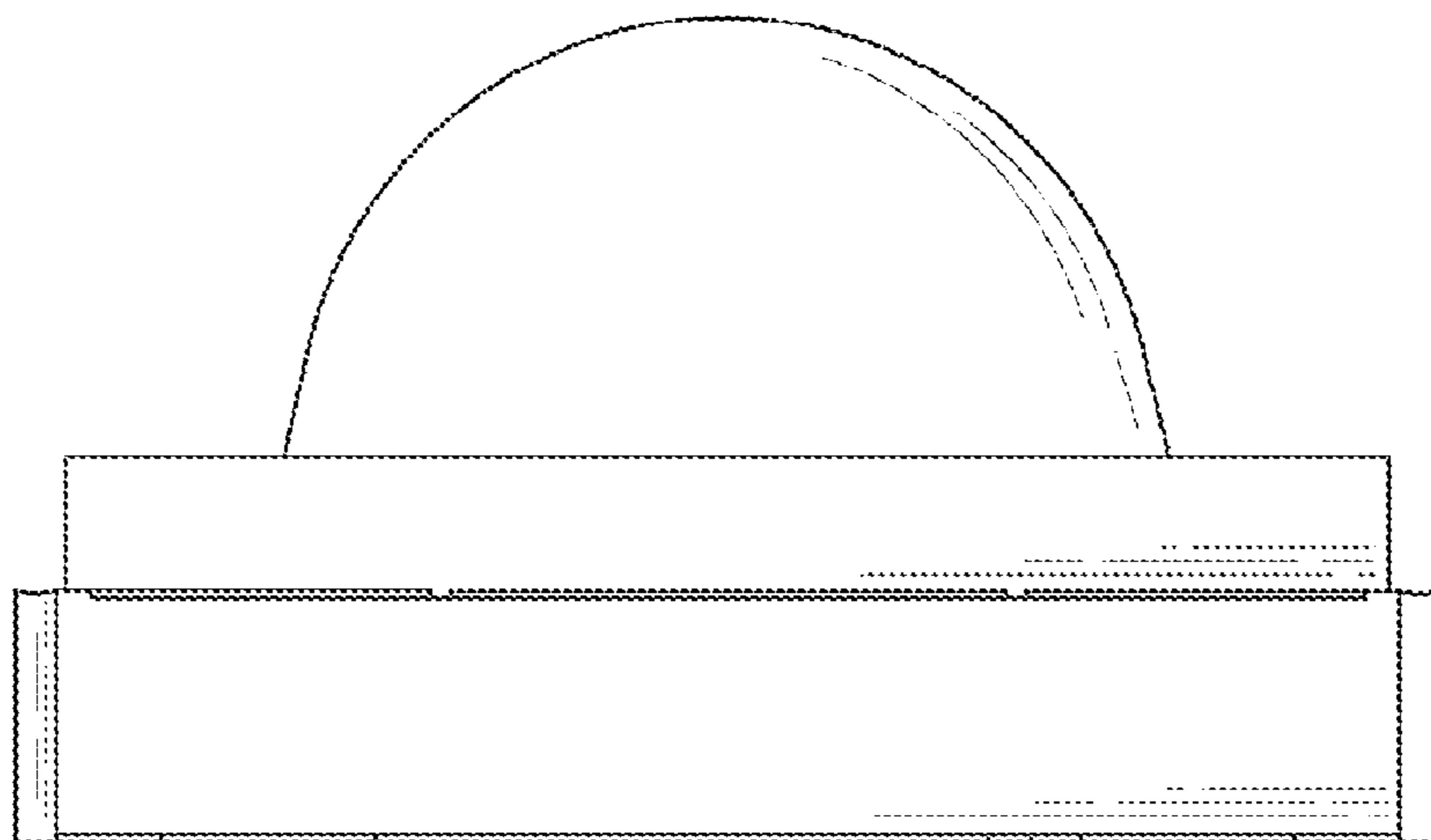


FIG. 8

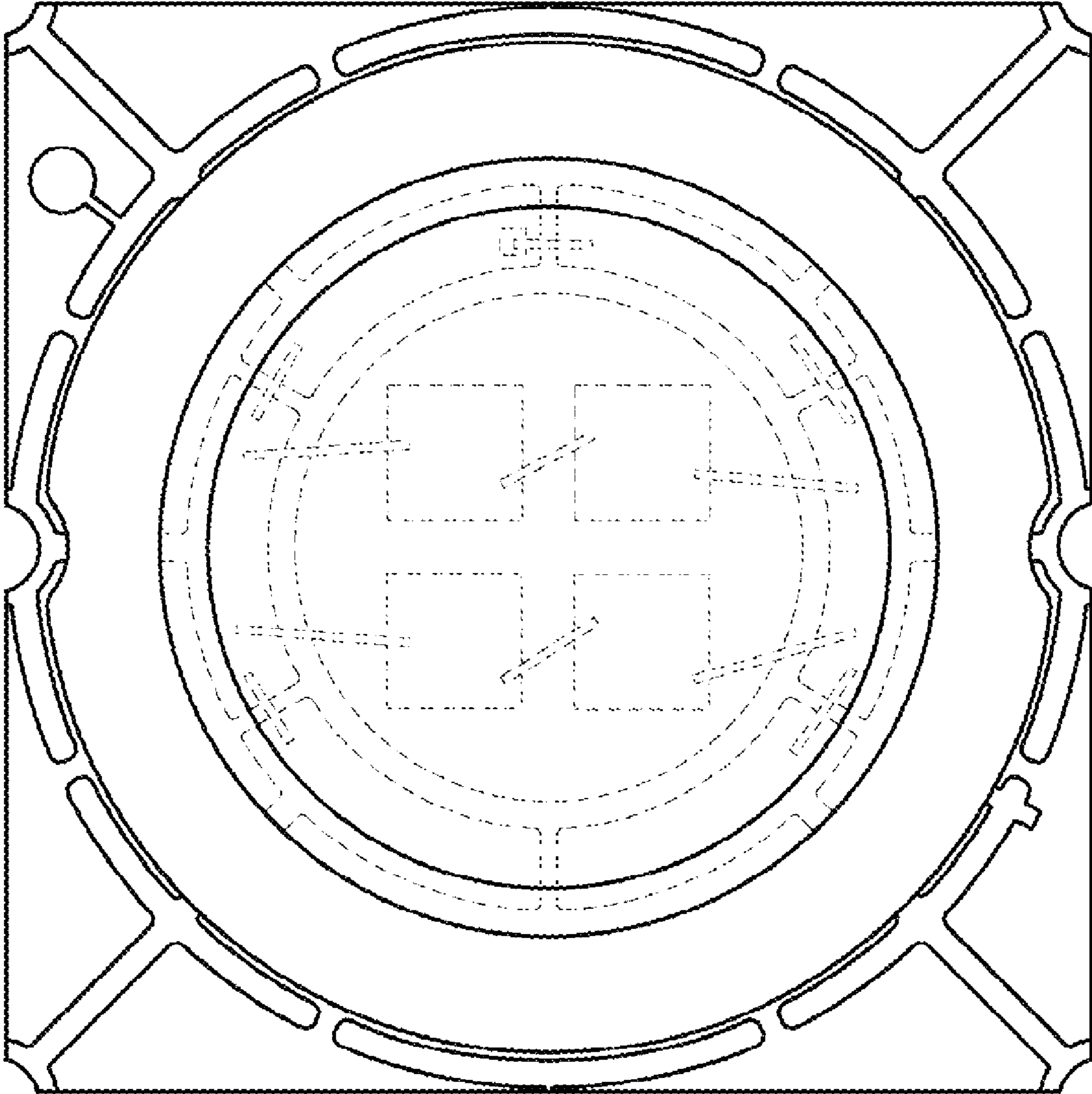


FIG. 9