



US00D629366S

(12) **United States Design Patent**
Ericson et al.

(10) **Patent No.:** **US D629,366 S**

(45) **Date of Patent:** **** Dec. 21, 2010**

(54) **ELECTRICAL CONNECTOR PROTECTIVE COVER**

(76) Inventors: **Chad M. Ericson**, 1087 148th Ave., New Richmond, WI (US) 54017; **Randy D. Dopkins**, 13 Meadowlark Dr., Hudson, WI (US) 54016

(**) Term: **14 Years**

(21) Appl. No.: **29/315,502**

(22) Filed: **Jul. 1, 2009**

(51) **LOC (9) Cl.** **13-03**

(52) **U.S. Cl.** **D13/156**

(58) **Field of Classification Search** D13/155, D13/156, 184; D8/354-356, 360.1; D14/256, D14/299; 439/207-211, 445-447

See application file for complete search history.

(56) **References Cited**

U.S. PATENT DOCUMENTS

2,337,781	A *	12/1943	Stoker	174/74 A
D243,097	S *	1/1977	Gomes, Jr.	D13/127
4,333,698	A	6/1982	Herbert		
4,679,873	A	7/1987	Brackett, Jr.		
D293,235	S *	12/1987	Loof	D13/157
D326,259	S *	5/1992	Studenski	D13/156
D344,930	S *	3/1994	Schaeffer	D13/171
5,423,695	A *	6/1995	Robinson et al.	439/517
5,722,854	A	3/1998	Geisler		

6,083,016	A	7/2000	Waynick, Sr.		
D432,997	S *	10/2000	Bonn	D13/174
D440,948	S *	4/2001	Bianco, Sr.	D13/173
D510,910	S *	10/2005	Chung	D13/154

* cited by examiner

Primary Examiner—Daniel D Bui

(74) *Attorney, Agent, or Firm*—Tipton L. Randall

(57) **CLAIM**

The ornamental design for an electrical connector protective cover, as shown and described.

DESCRIPTION

FIG. 1 is a front elevation view of an electrical connector protective cover showing our new design;

FIG. 2 is a back elevation view thereof;

FIG. 3 is a left side elevation view thereof;

FIG. 4 is a right side elevation view thereof;

FIG. 5 is a top plan view thereof;

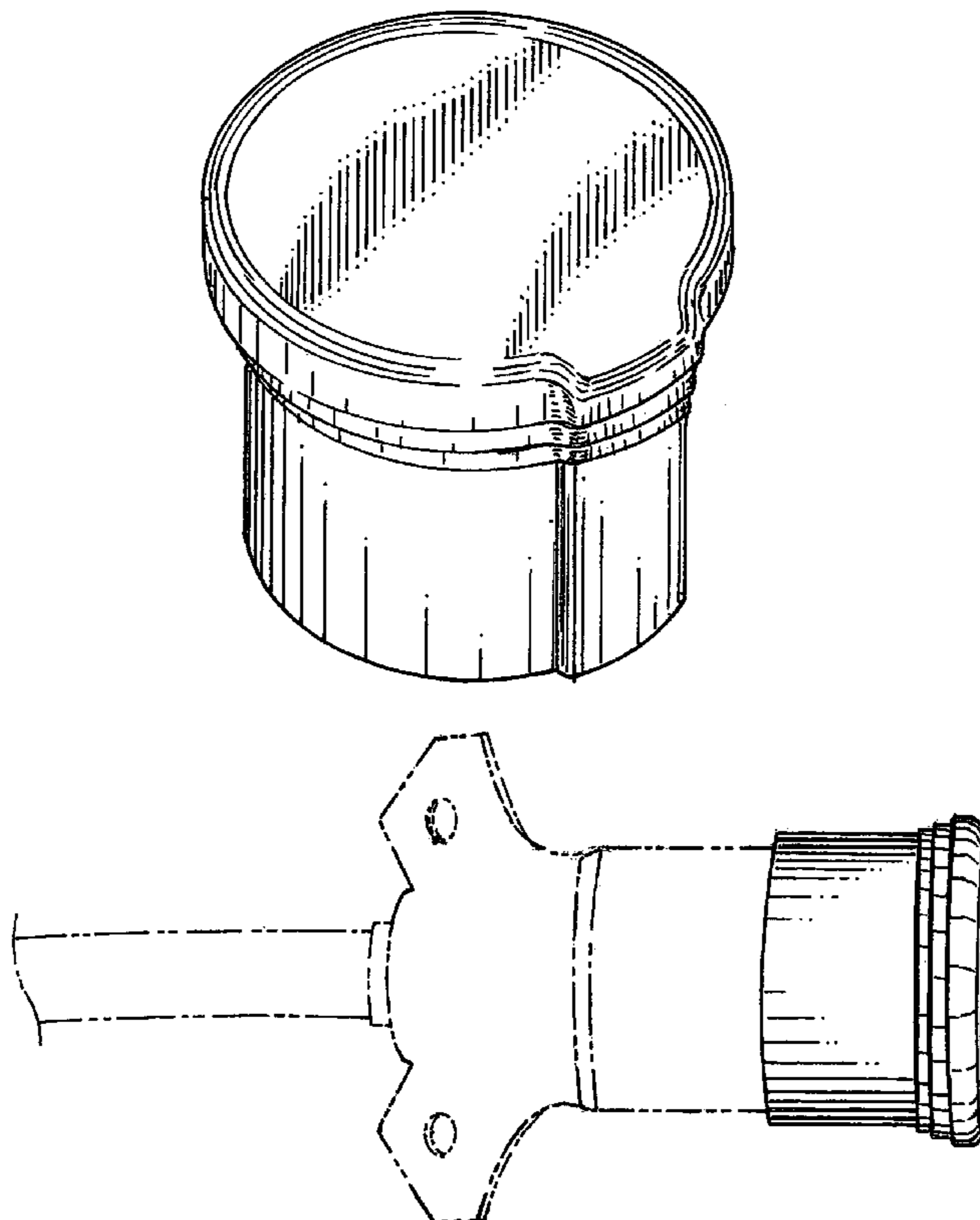
FIG. 6 is a bottom plan view thereof;

FIG. 7 is a top perspective view thereof; and,

FIG. 8 is another perspective view thereof, in use condition.

The dash-dot-dot broken line portion of the figure drawings is included to show unclaimed subject matter only and forms no part of the claimed design.

1 Claim, 8 Drawing Sheets



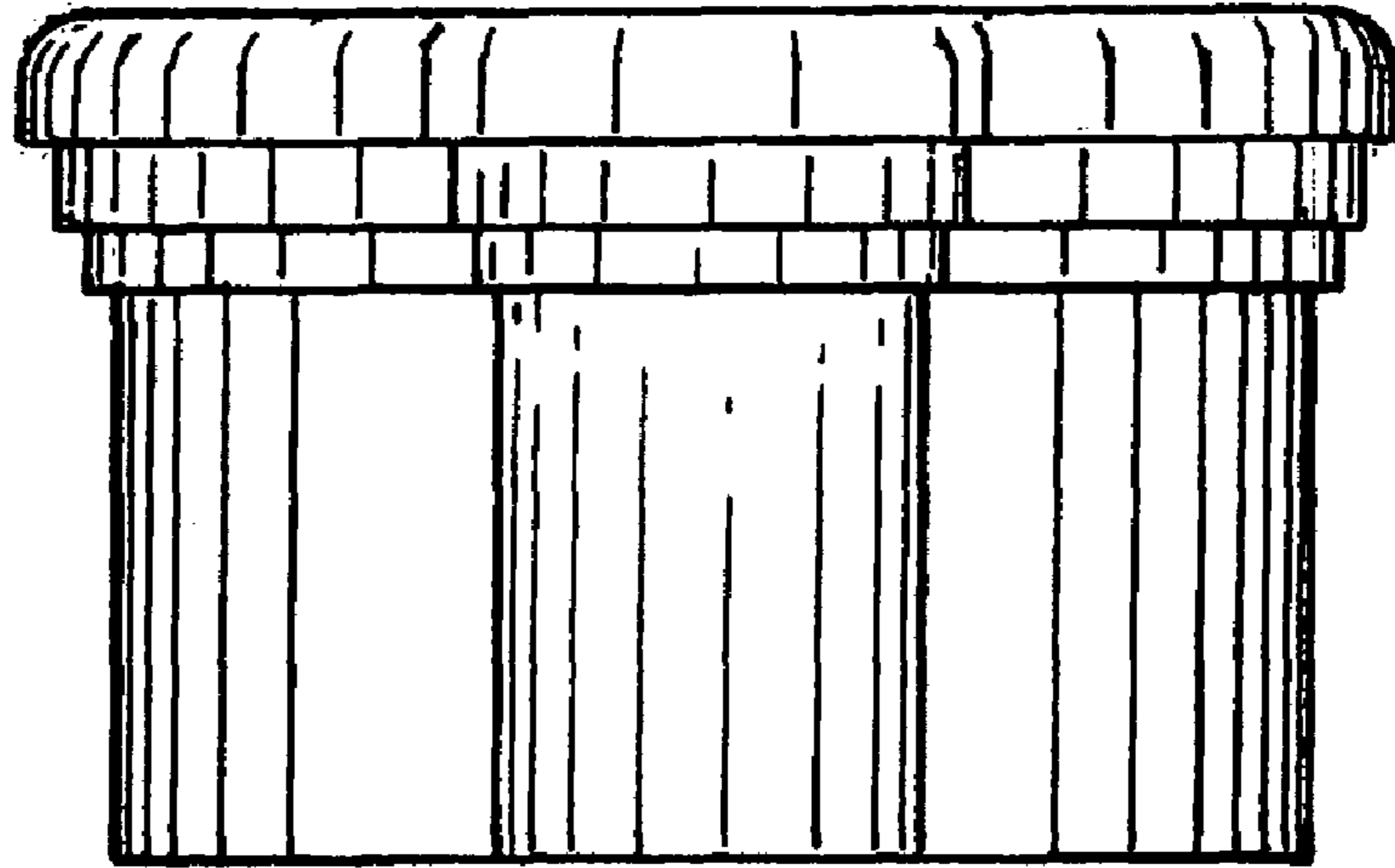


Figure 1

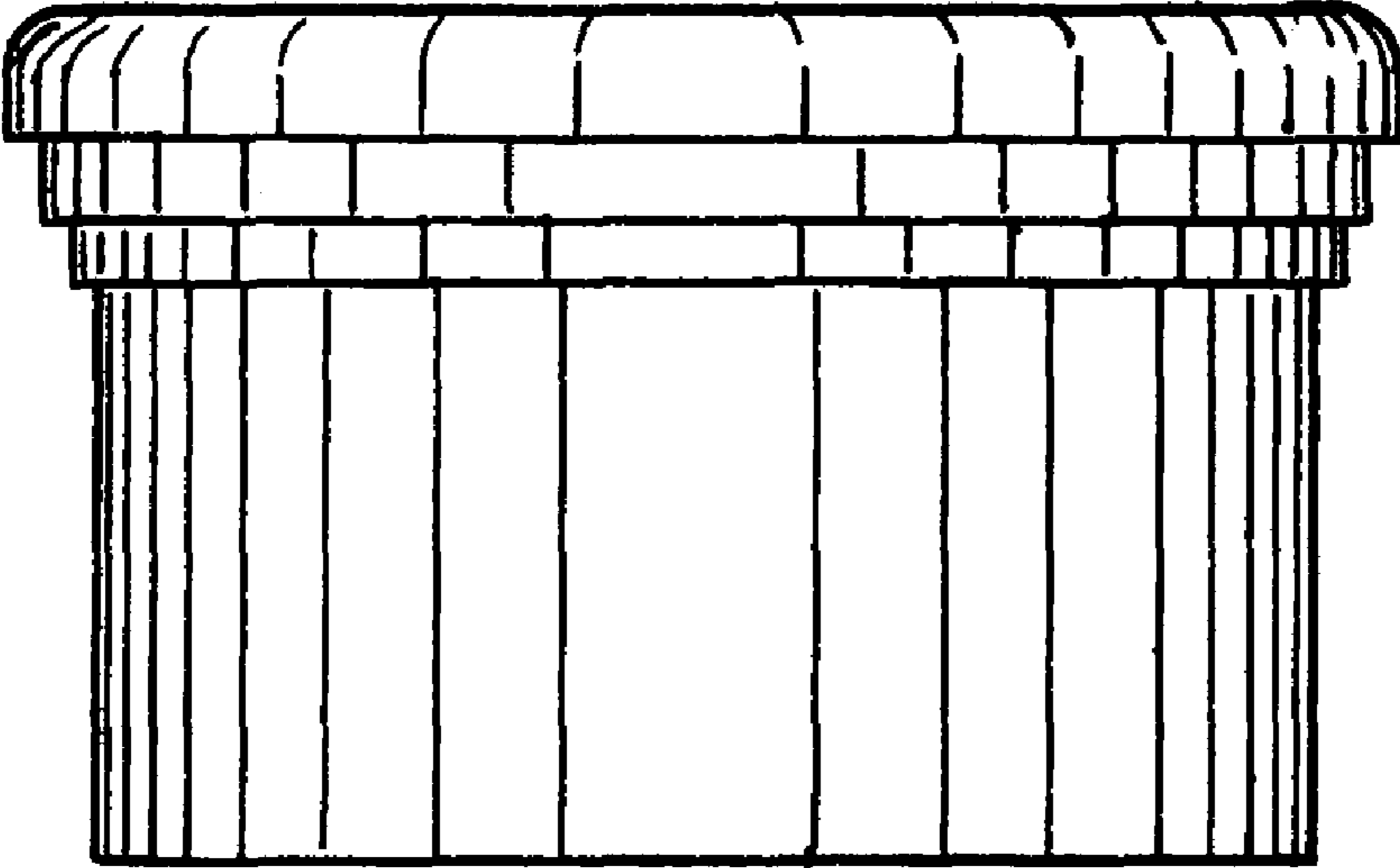


Figure 2

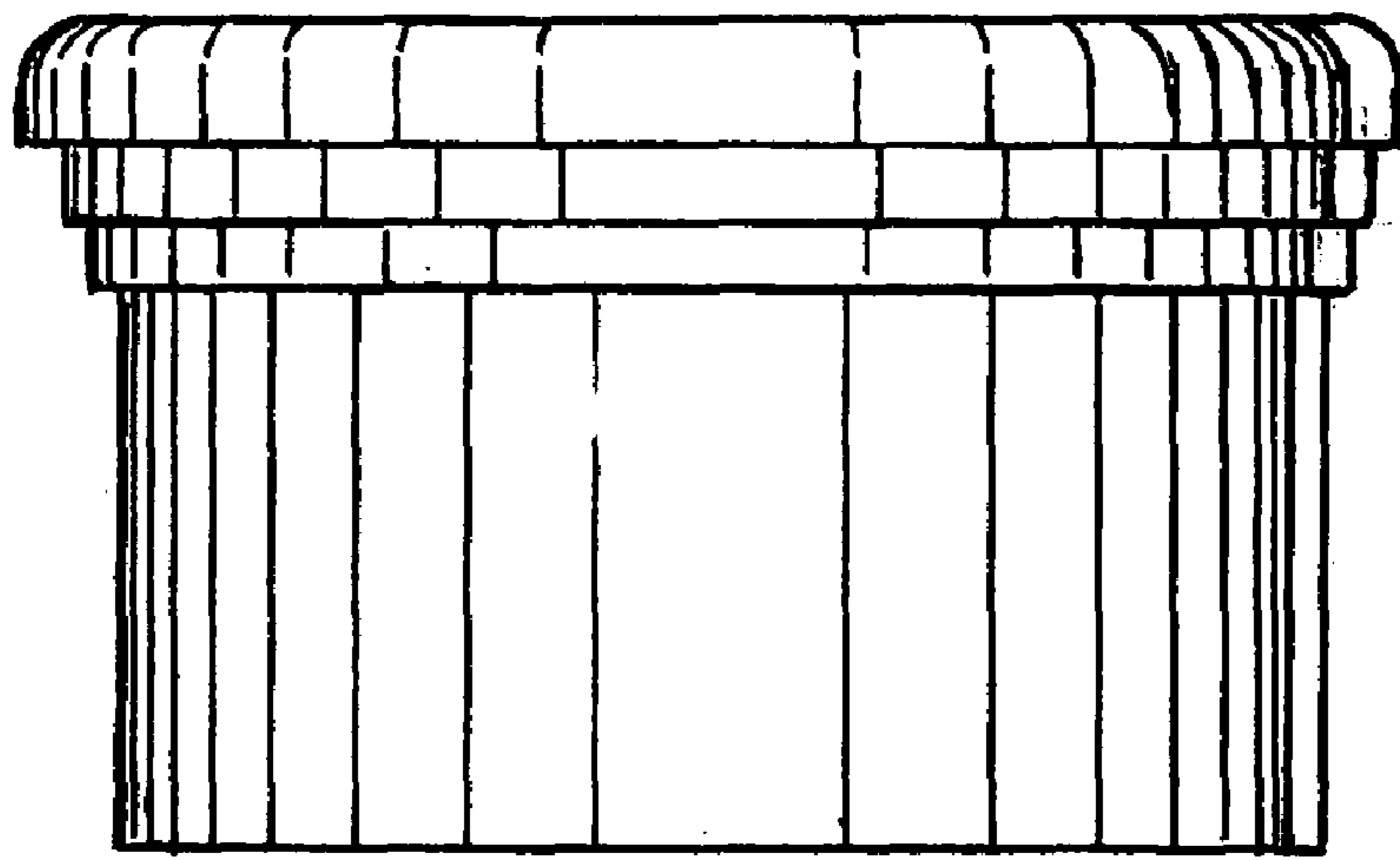


Figure 3

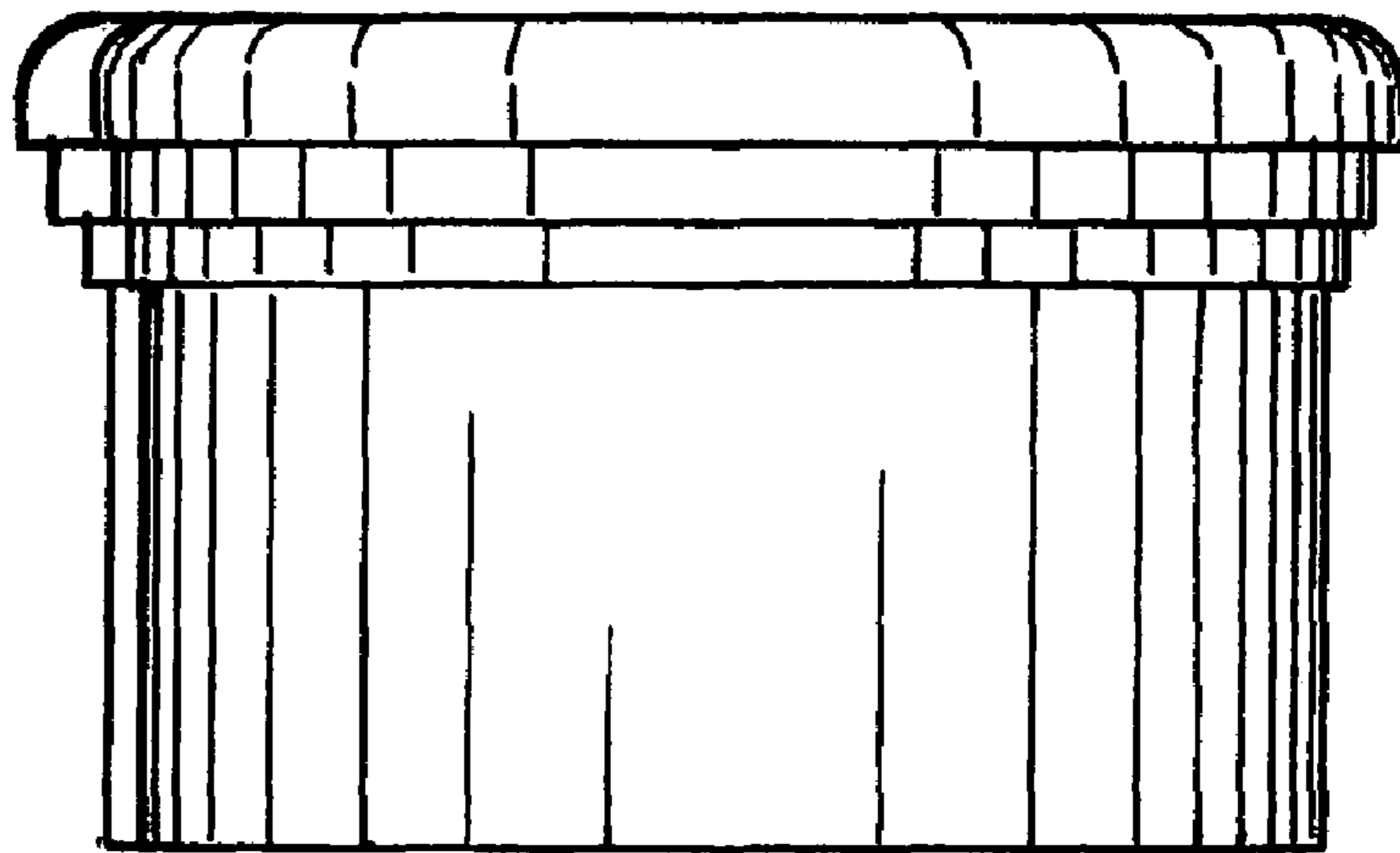


Figure 4

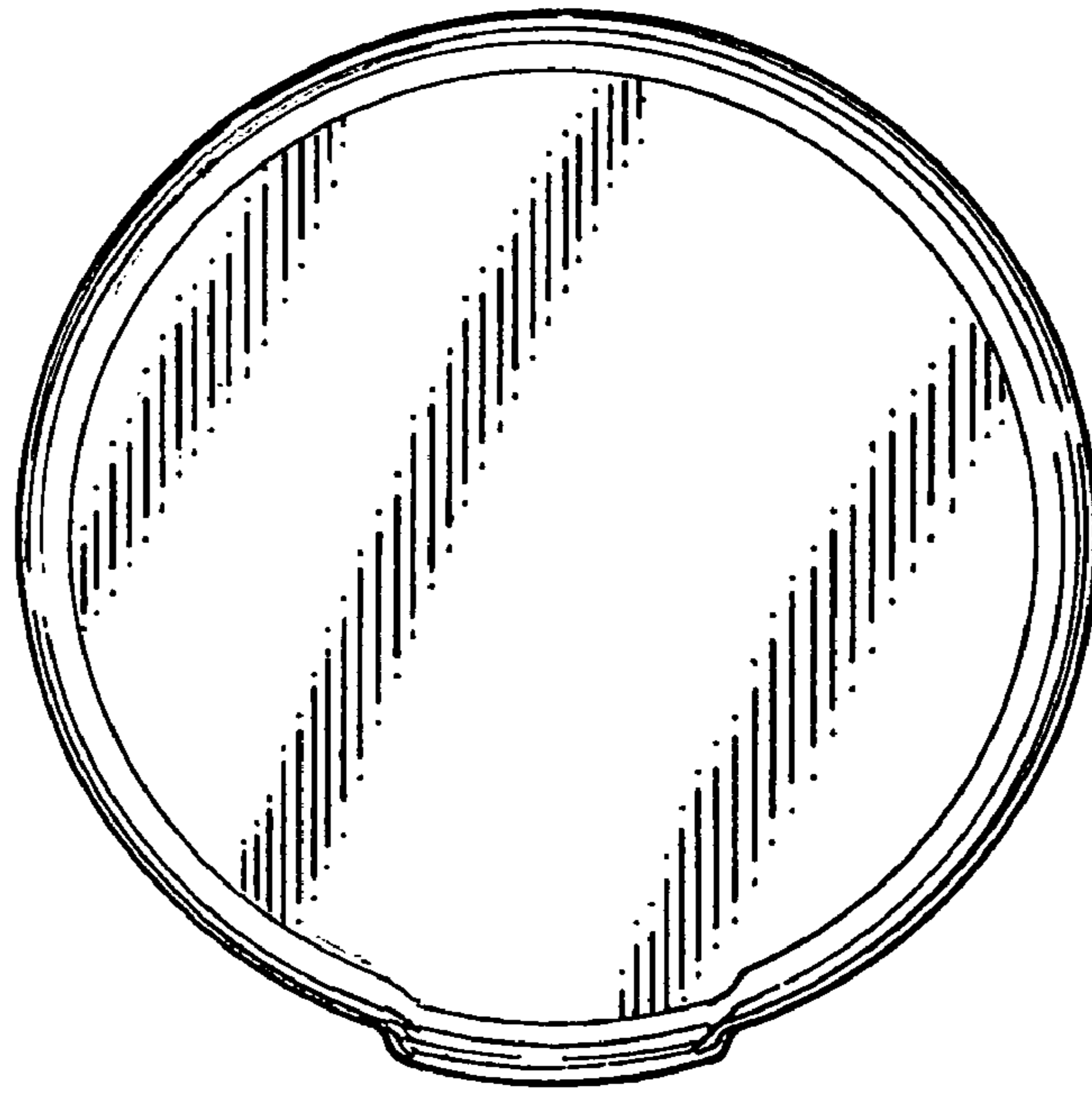


Figure 5

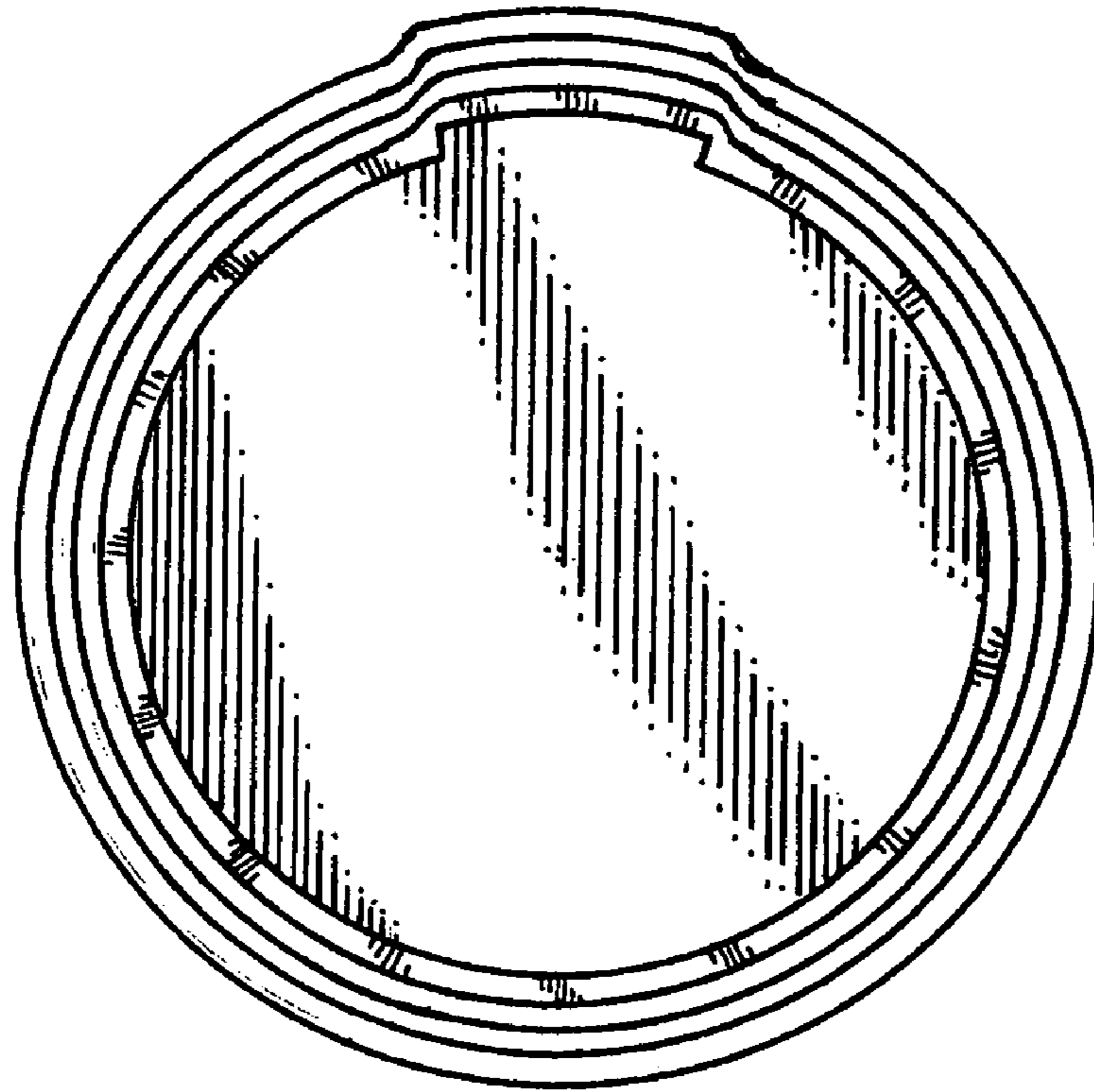


Figure 6

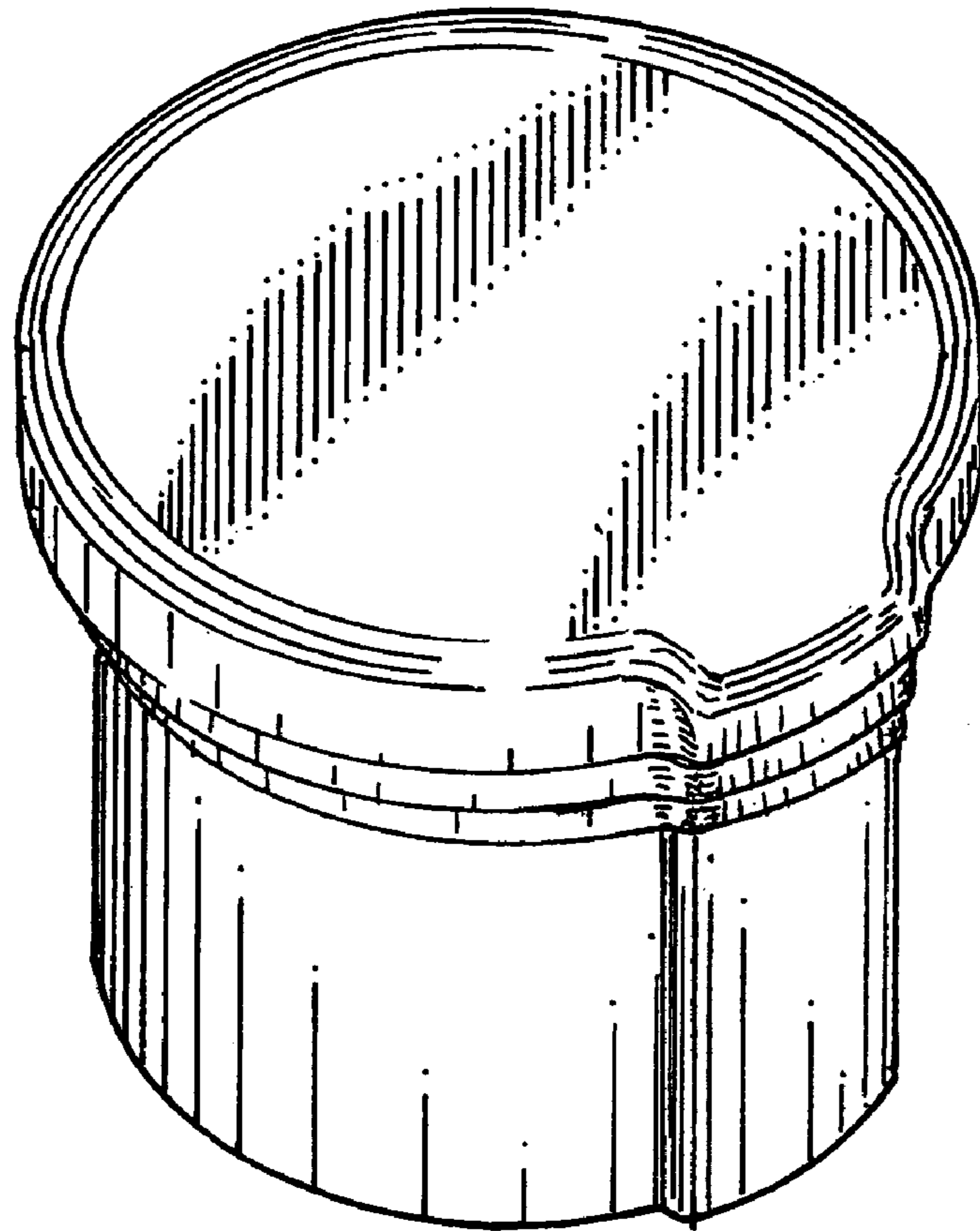


Figure 7

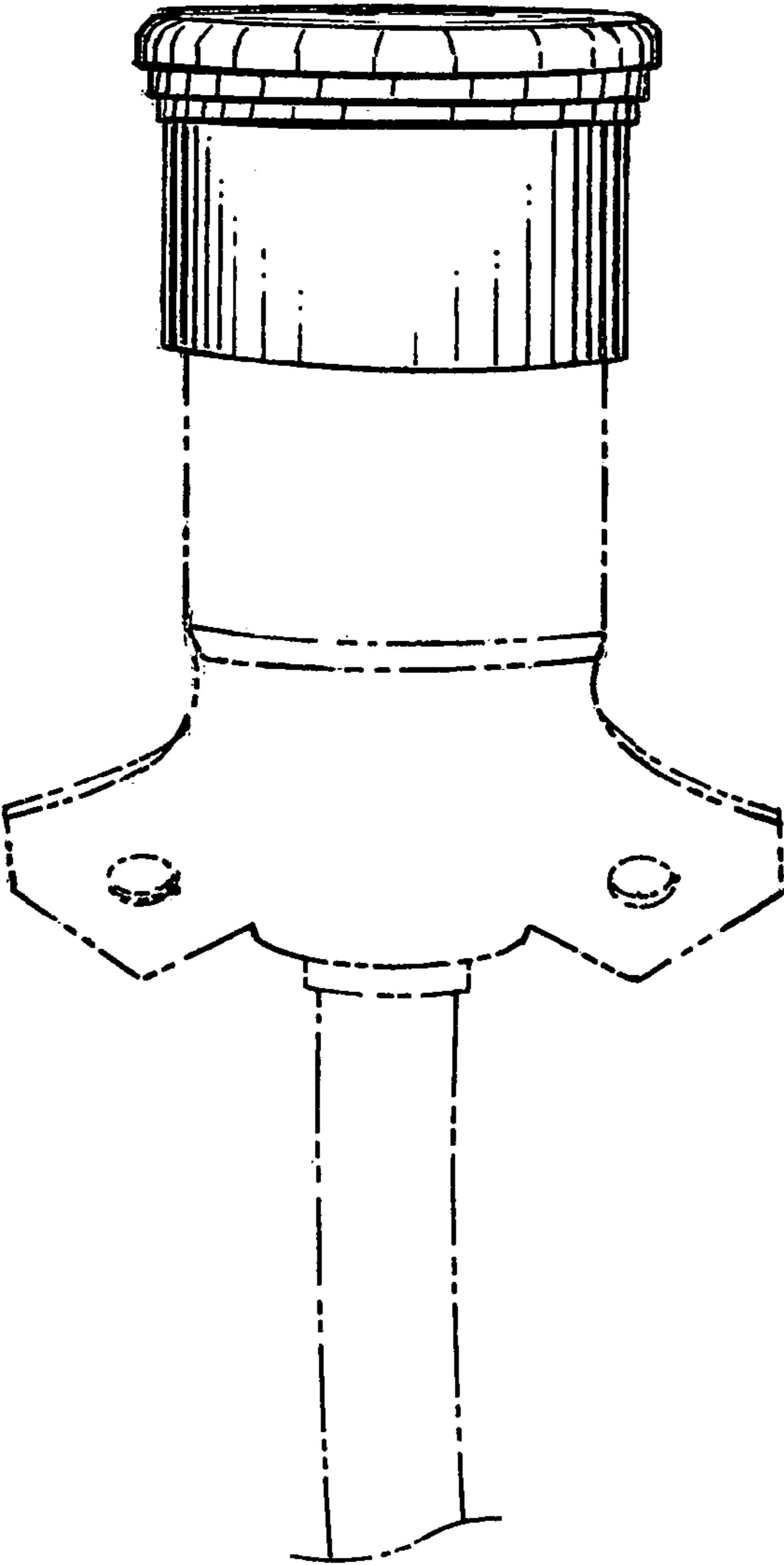


Figure 8