



US00D629365S

(12) **United States Design Patent**  
**Garcia De Vicuna**

(10) **Patent No.:** **US D629,365 S**  
(45) **Date of Patent:** **\*\* Dec. 21, 2010**

(54) **HOUSING**

(75) Inventor: **Gregorio Garcia De Vicuna**, Elgoibar (ES)

(73) Assignee: **Ojmar, S.A.**, Elgoibar (Gipuzkoa) (ES)

(\*\*) Term: **14 Years**

(21) Appl. No.: **29/360,164**

(22) Filed: **Apr. 21, 2010**

(51) **LOC (9) Cl.** ..... **13-03**

(52) **U.S. Cl.** ..... **D13/152; D13/184**

(58) **Field of Classification Search** ..... D13/139.4,  
D13/152, 156, 177, 184, 199; 174/50, 53-55,  
174/58, 60, 66, 67; 220/3.2, 3.3, 3.6-3.9,  
220/241, 242, 244, 315, 4.02; 439/135, 136,  
439/138, 142, 166, 367, 373, 535, 536, 537,  
439/541, 892, 893

See application file for complete search history.

(56) **References Cited**

**U.S. PATENT DOCUMENTS**

D324,207 S *	2/1992	Nieves	.....	D13/184
D337,313 S *	7/1993	Davis	.....	D13/184
D342,072 S *	12/1993	Nakamura et al.	.....	D14/256
D367,859 S *	3/1996	Beaumont et al.	.....	D14/142
D400,512 S *	11/1998	Korhonen	.....	D13/184
D408,796 S *	4/1999	Georgopoulos	.....	D14/354

5,914,863 A *	6/1999	Shen	.....	361/752
D452,487 S *	12/2001	Kaplan	.....	D13/184
D563,892 S *	3/2008	Tomasa Pujol	.....	D13/152
D563,893 S *	3/2008	Pujol	.....	D13/152
D563,894 S *	3/2008	Tomasa Pujol	.....	D13/152
D615,045 S *	5/2010	Lanfear et al.	.....	D13/162

\* cited by examiner

*Primary Examiner*—Rosemary K Tarcza

(74) *Attorney, Agent, or Firm*—Lucas & Mercanti, LLP

(57) **CLAIM**

The ornamental design for a housing, substantially as shown and described.

**DESCRIPTION**

FIG. 1 is a perspective view of my housing design;

FIG. 2 is a front view of my housing design;

FIG. 3 is a top view of my housing design;

FIG. 4 is a left-side view of my housing design;

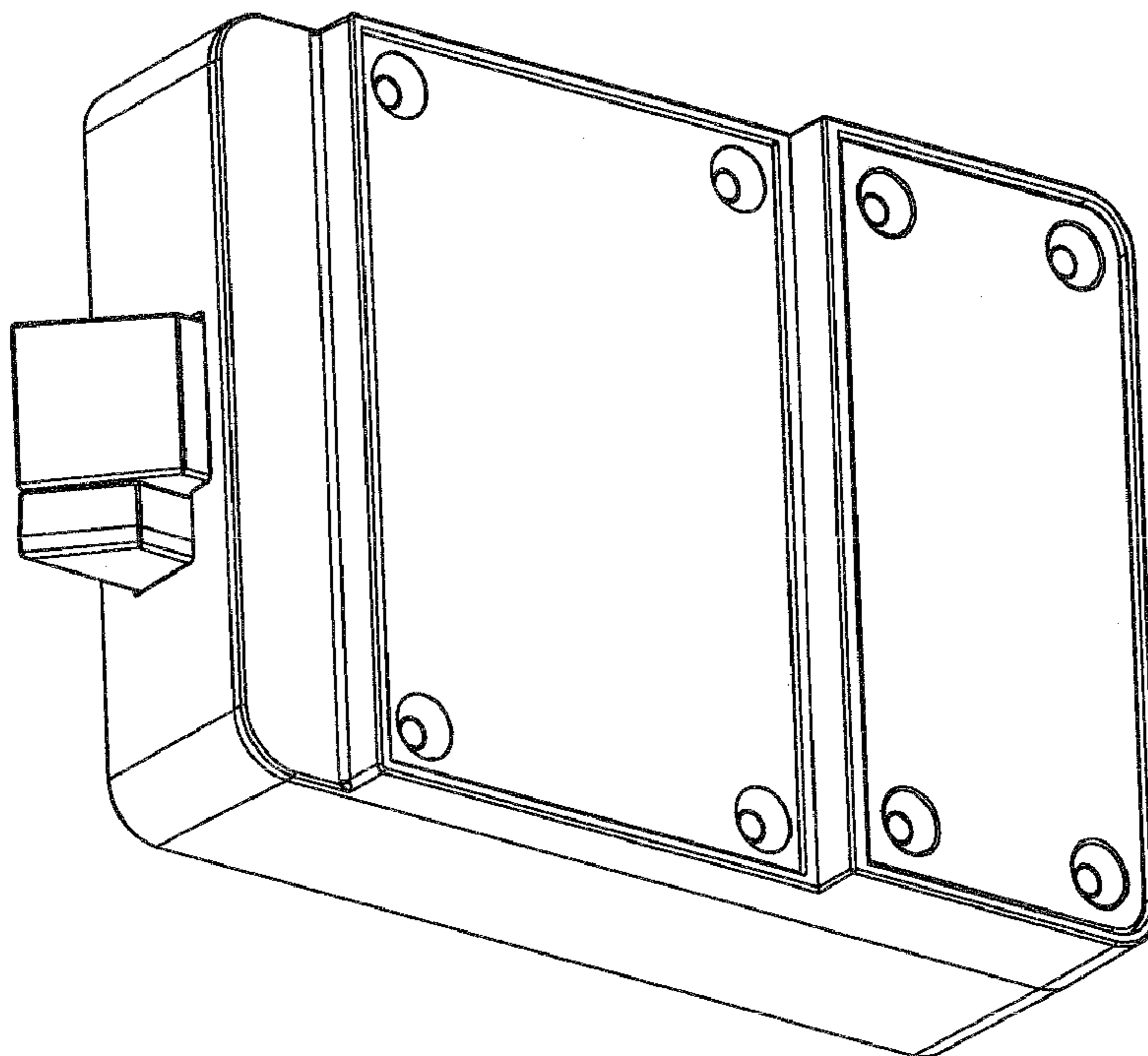
FIG. 5 is a bottom view of my housing design;

FIG. 6 is a right-side view of my housing design; and,

FIG. 7 is a back view of my housing design.

The broken lines shown in the drawings are included for the purpose of illustrating unclaimed portions of the housing and form no part of the claimed design.

**1 Claim, 7 Drawing Sheets**



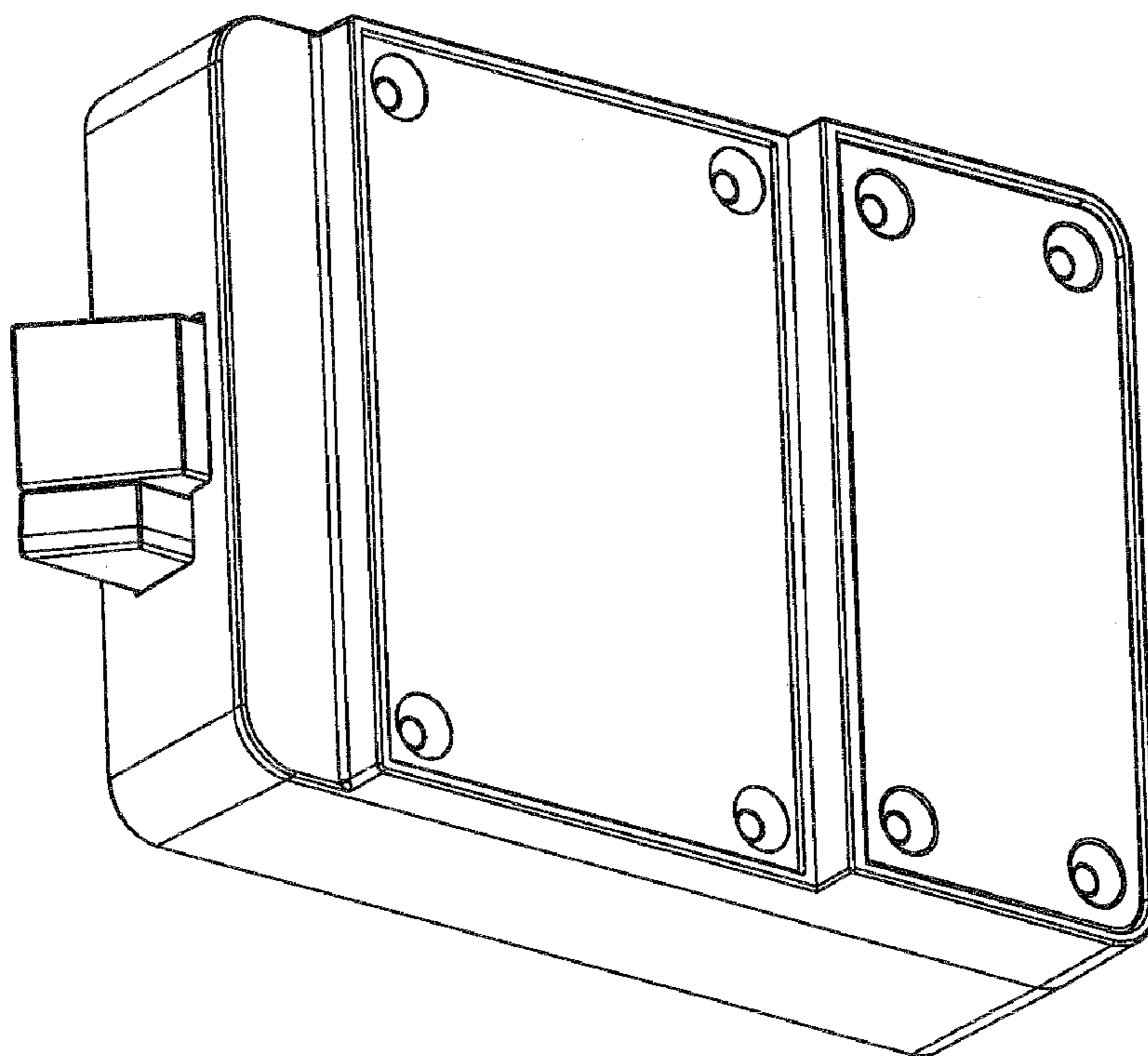


FIG. 1

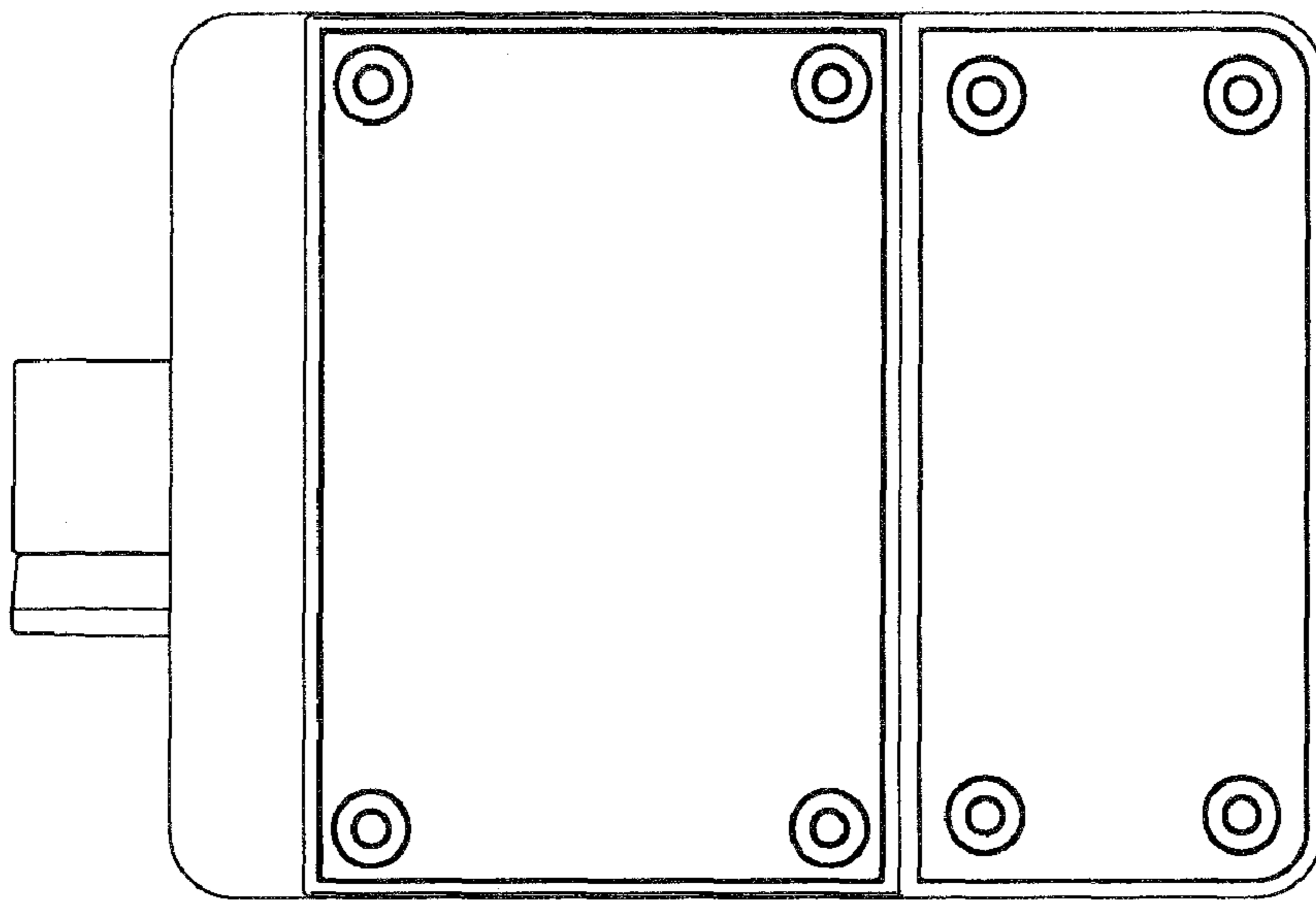


FIG. 2

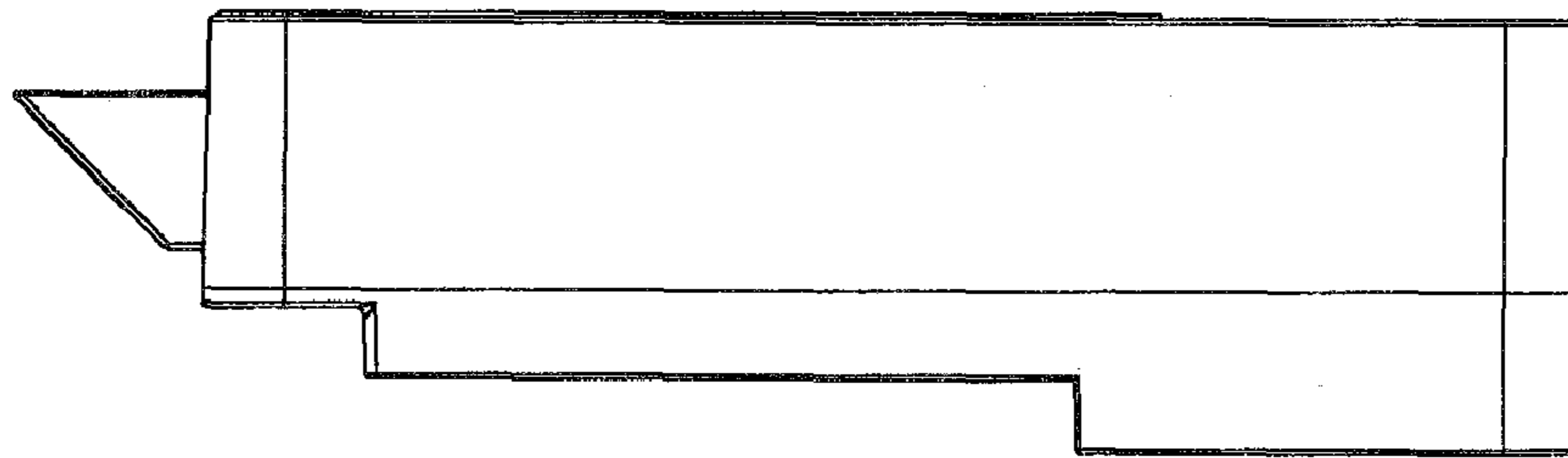


FIG. 3

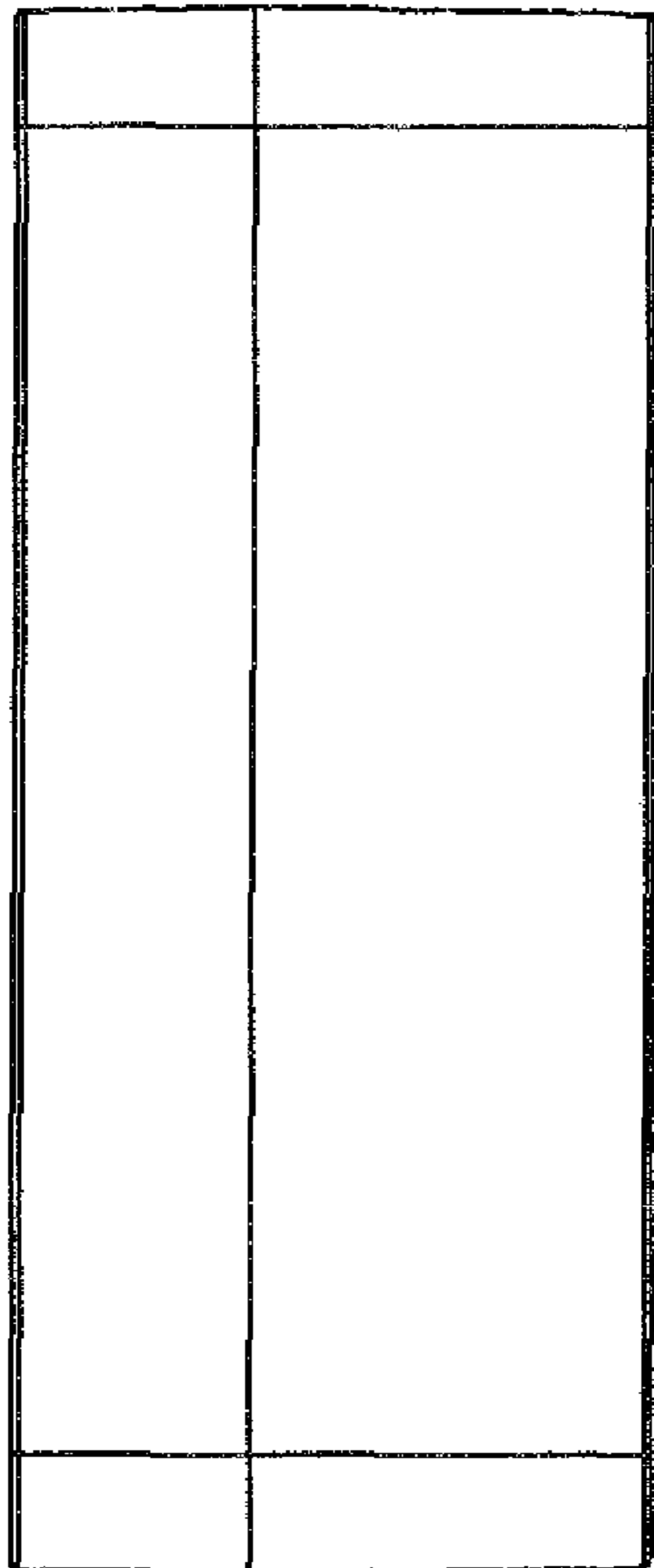


FIG. 4

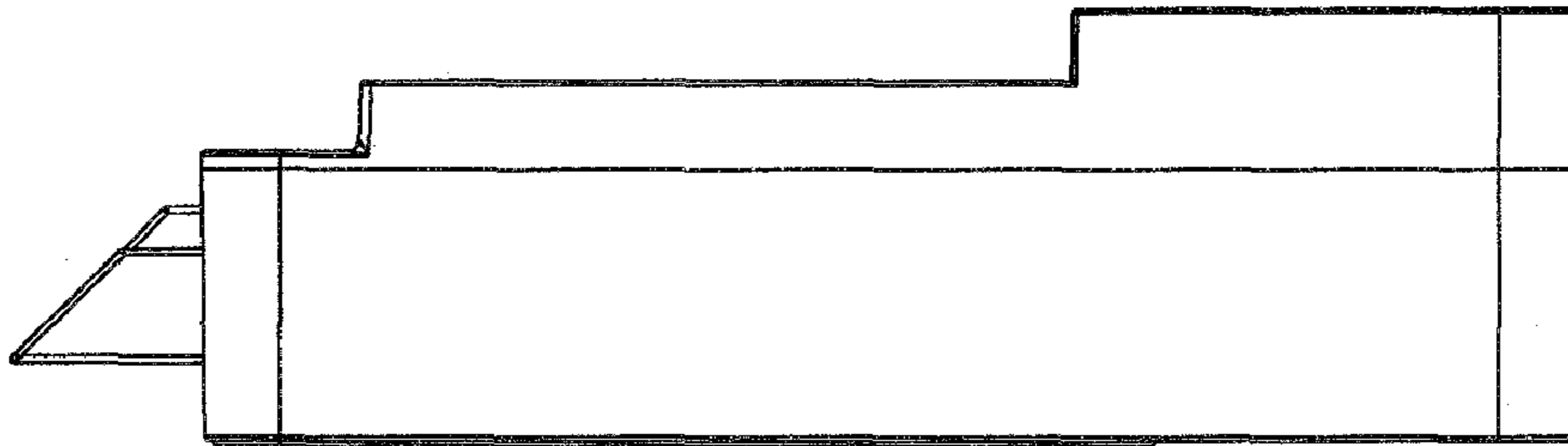


FIG. 5

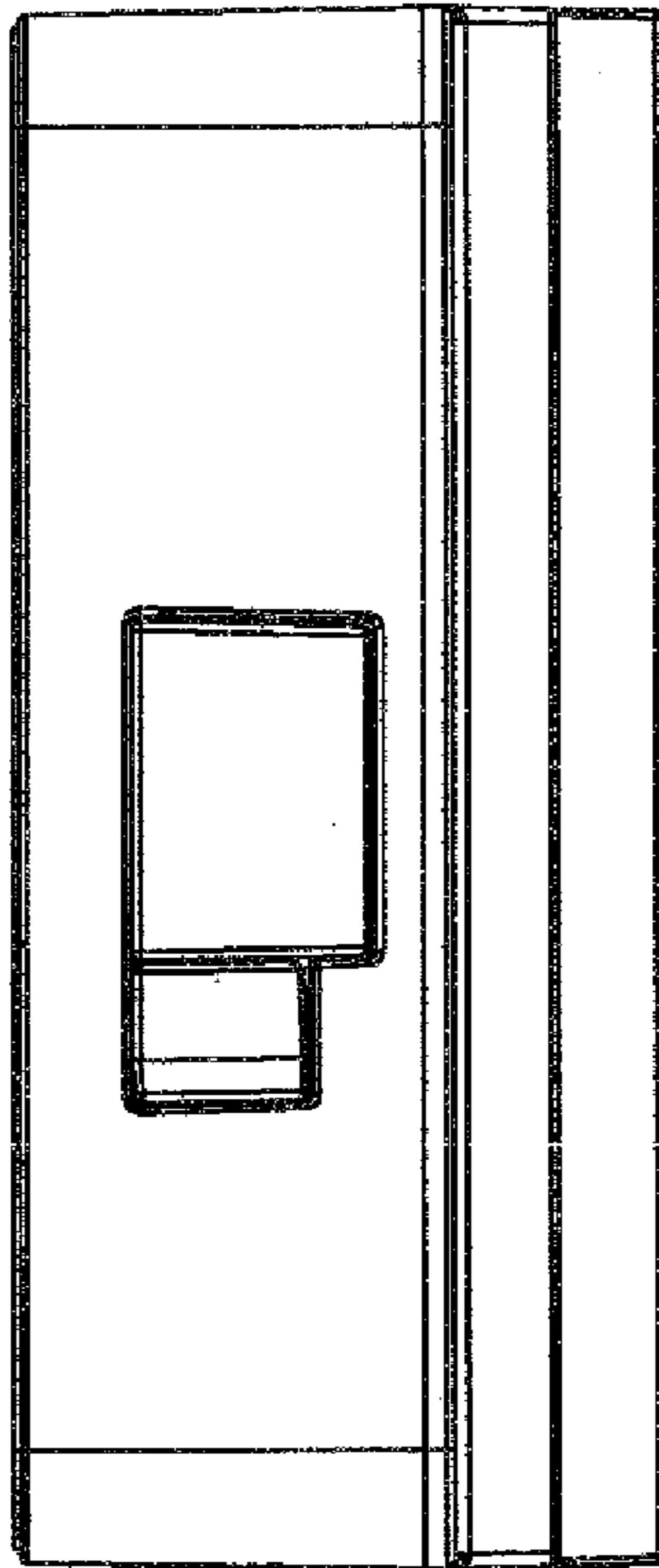


FIG. 6

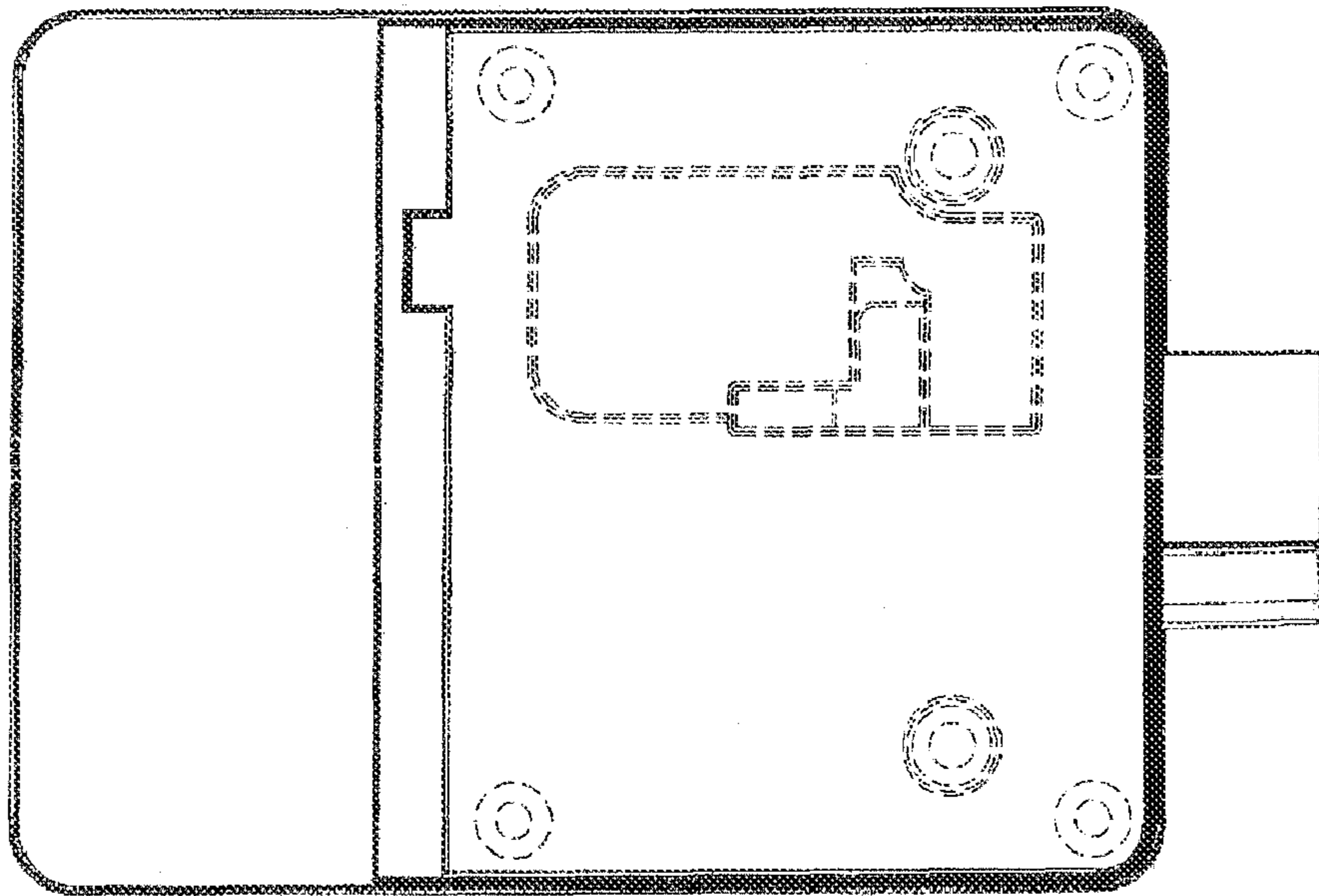


FIG. 7