



US00D629364S

(12) **United States Design Patent**  
**Smith et al.**

(10) **Patent No.:** **US D629,364 S**

(45) **Date of Patent:** **\*\* Dec. 21, 2010**

(54) **GROUNDING CLAMP**

(75) Inventors: **William Smith**, Kirkland (CA); **Daniel Cardin**, Sainte-Julie (CA)

(73) Assignee: **Thomas & Betts International, Inc.**,  
Wilmington, DE (US)

(\*\*) Term: **14 Years**

(21) Appl. No.: **29/359,187**

(22) Filed: **Apr. 7, 2010**

**Related U.S. Application Data**

(63) Continuation of application No. 12/629,181, filed on  
Dec. 2, 2009.

(51) **LOC (9) Cl.** ..... **13-03**

(52) **U.S. Cl.** ..... **D13/149**

(58) **Field of Classification Search** ..... D13/133,  
D13/148, 149, 151, 154, 184, 199; 439/331,  
439/526, 68, 73, 862; D8/354

See application file for complete search history.

(56) **References Cited**

**U.S. PATENT DOCUMENTS**

3,544,955	A *	12/1970	Heres Ruiz	.....	439/792
4,457,577	A *	7/1984	Browne et al.	.....	439/98
4,526,437	A *	7/1985	Kies	.....	439/810
D296,777	S *	7/1988	Cornell	.....	D13/149
4,863,390	A *	9/1989	Cera et al.	.....	439/100
5,286,211	A *	2/1994	McIntosh	.....	439/100

5,494,462	A *	2/1996	Auclair	.....	439/810
6,011,218	A *	1/2000	Burek et al.	.....	174/40 CC
D536,229	S *	2/2007	Clark et al.	.....	D8/72
D585,833	S *	2/2009	Sherman	.....	D13/149
D615,497	S *	5/2010	Woodward et al.	.....	D13/149

\* cited by examiner

*Primary Examiner*—Stella M Reid

*Assistant Examiner*—Thomas J Johannes

(74) *Attorney, Agent, or Firm*—Snyder, Clark, Lesch &  
Chung, LLP

(57) **CLAIM**

The ornamental design for a grounding clamp, as shown and  
described.

**DESCRIPTION**

FIG. 1 is a bottom perspective view of the grounding clamp of  
the present invention;

FIG. 2 is a side view thereof;

FIG. 3 is a front view thereof;

FIG. 4 is a rear view thereof;

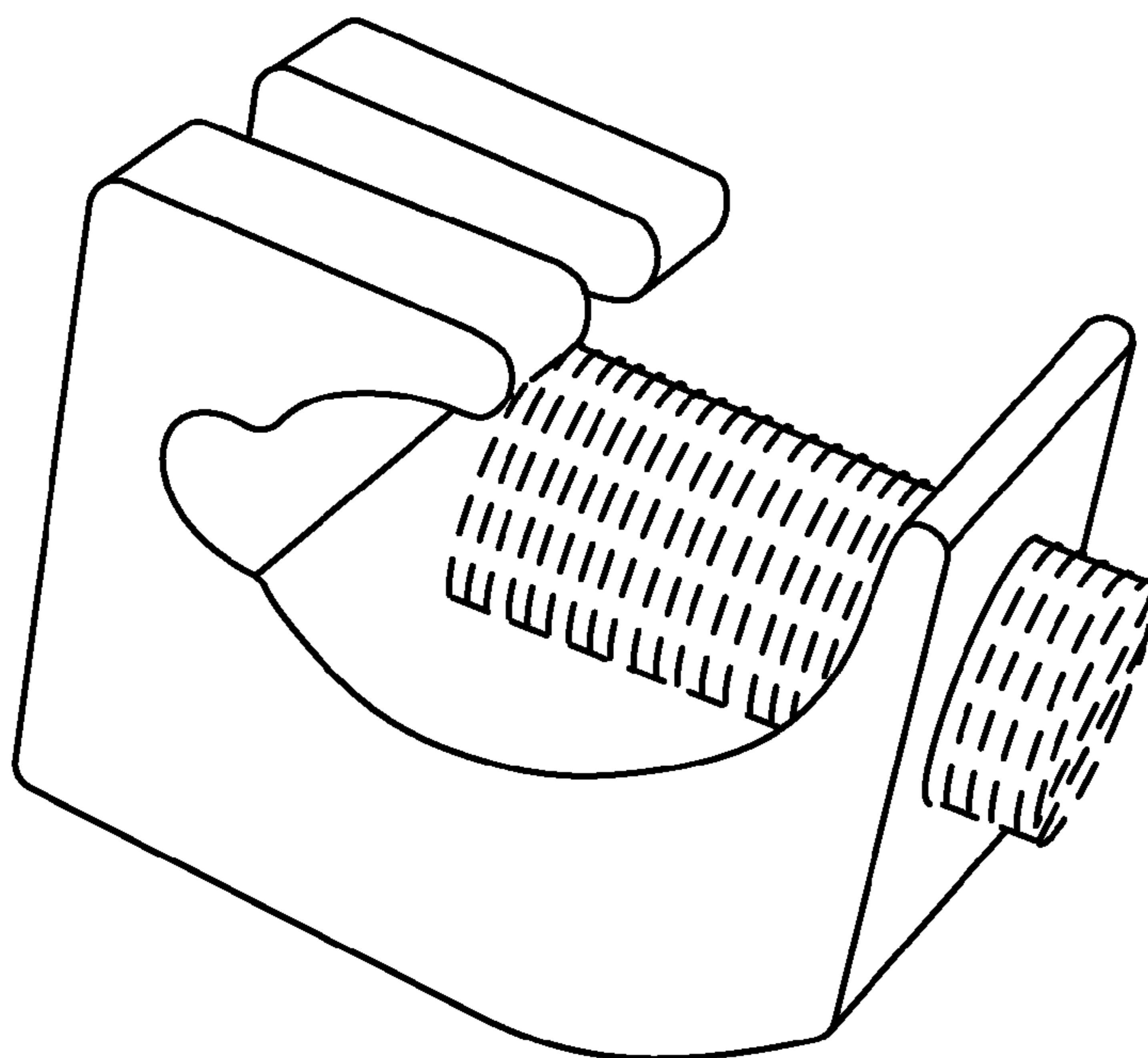
FIG. 5 is a bottom view thereof;

FIG. 6 is a top view thereof; and,

FIG. 7 is an top perspective view thereof.

The broken line portion of FIGS. 1, 6 and 7 showing screws in  
broken line is included to show unclaimed subject matter only  
and forms no part of the claimed design.

**1 Claim, 4 Drawing Sheets**



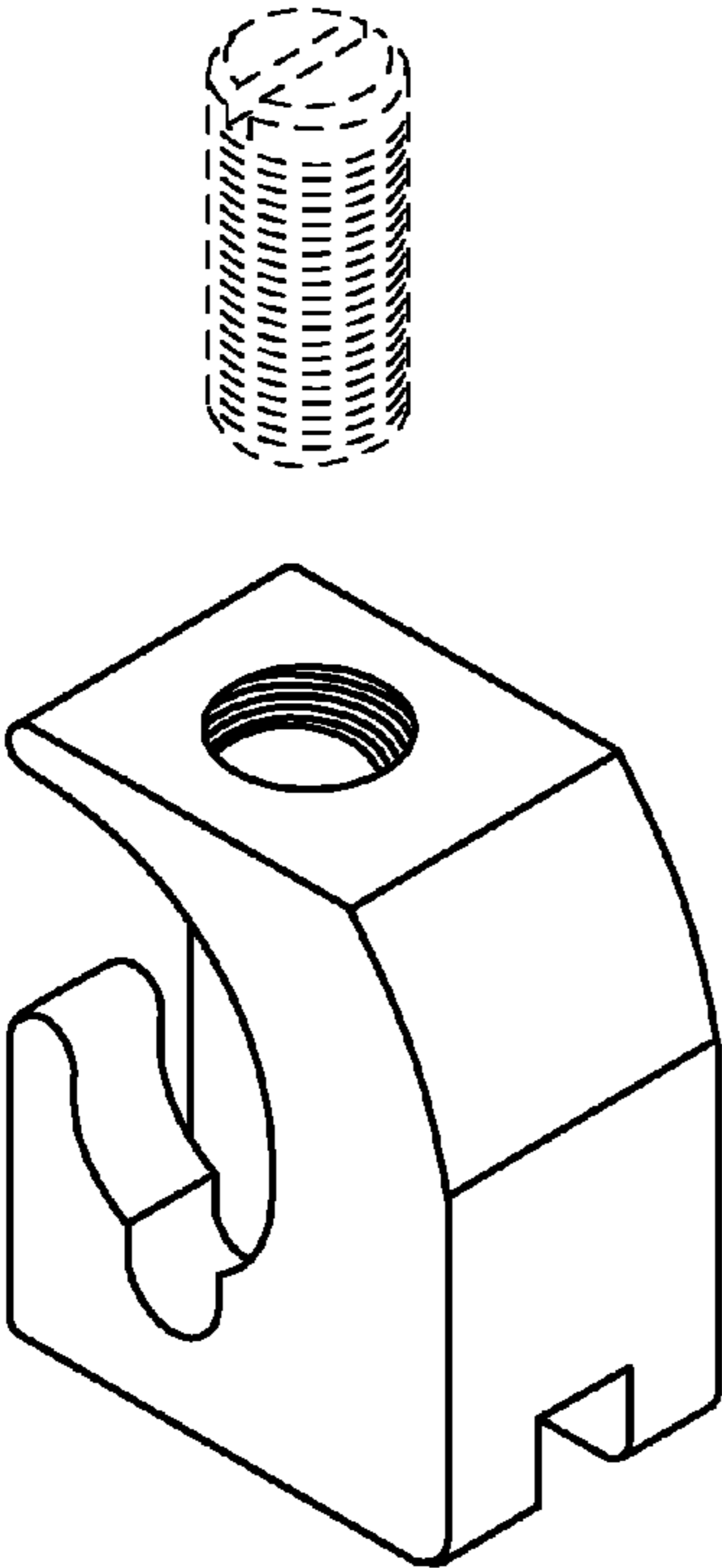


FIG. 1

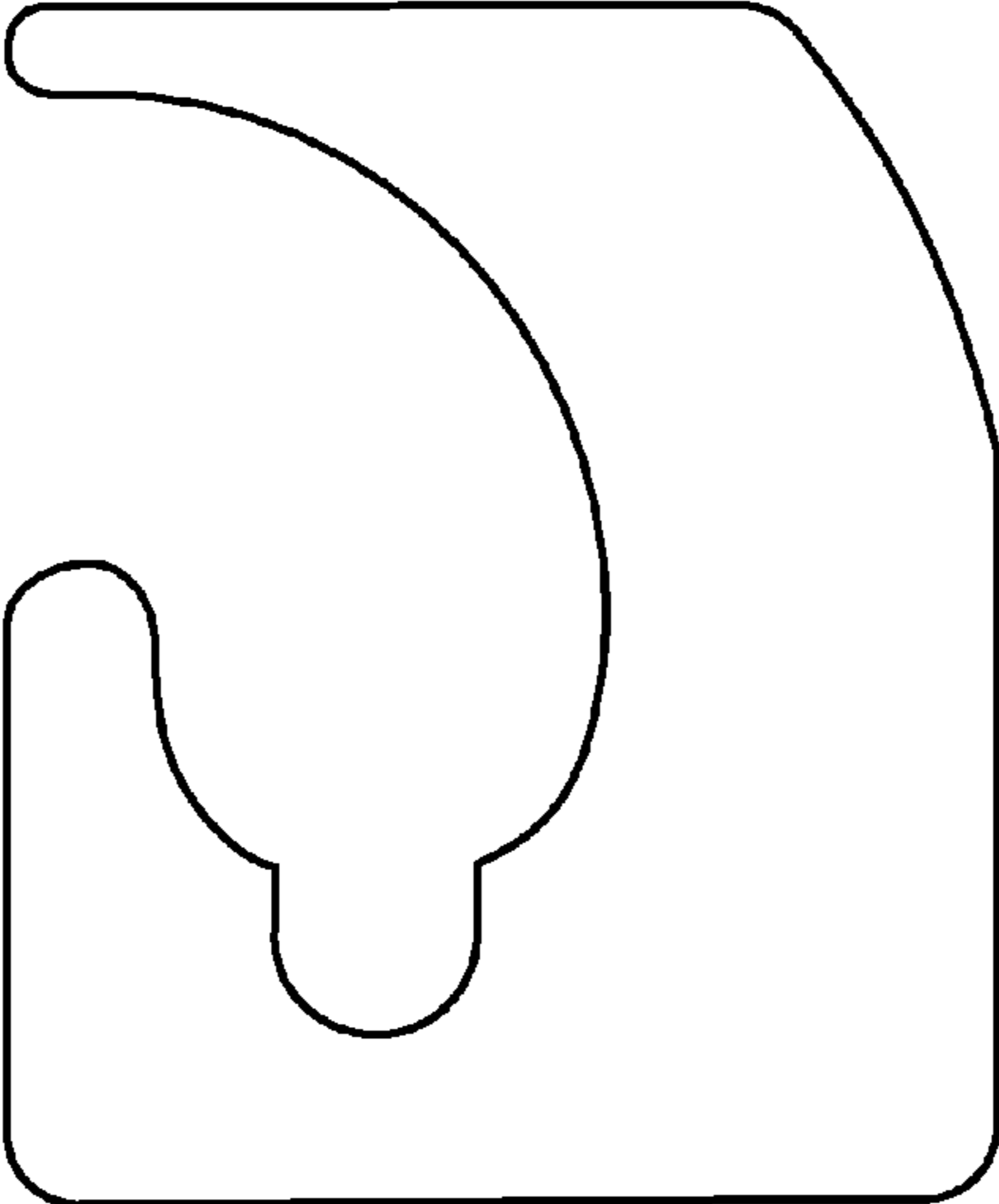


FIG. 2

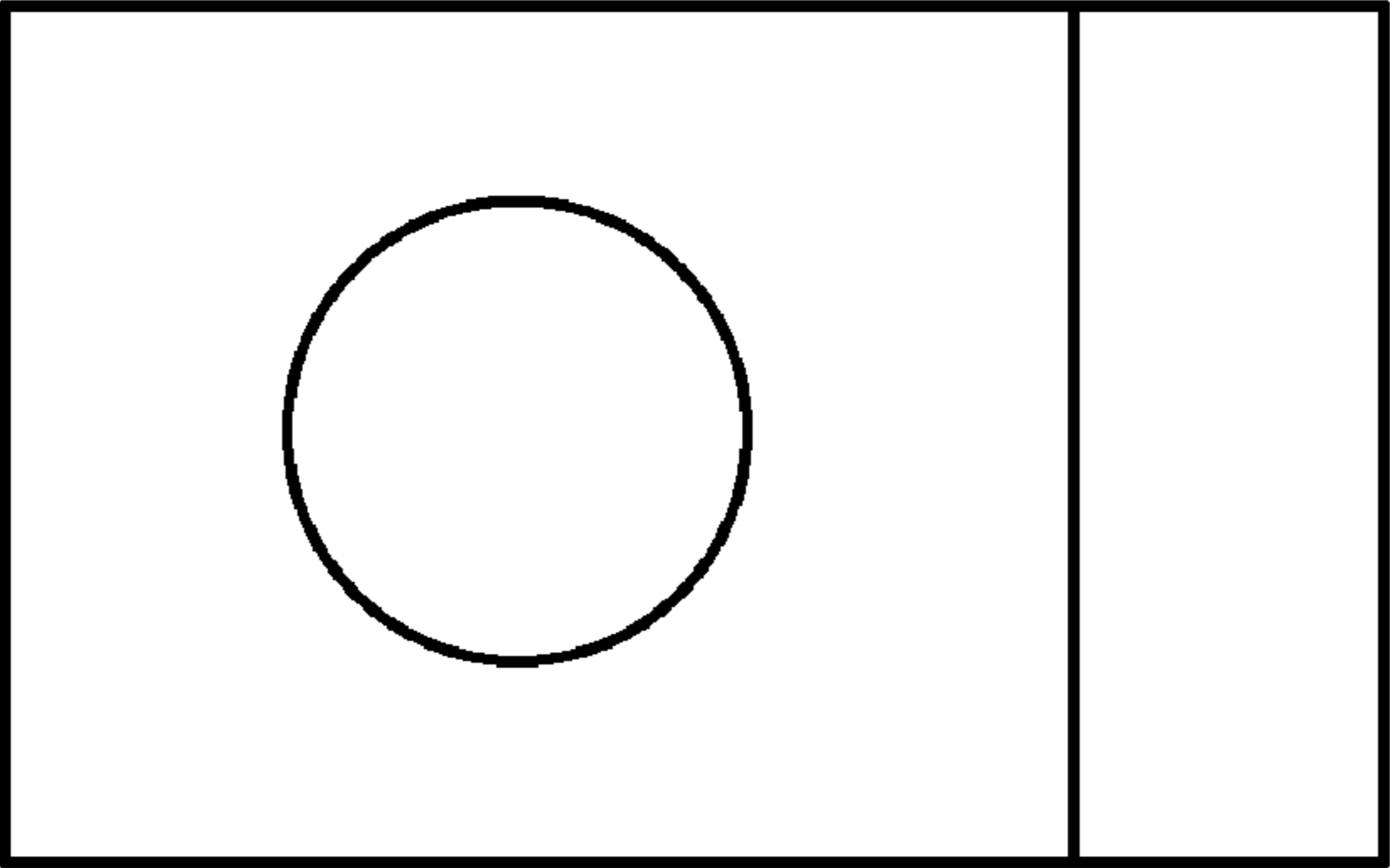


FIG. 3

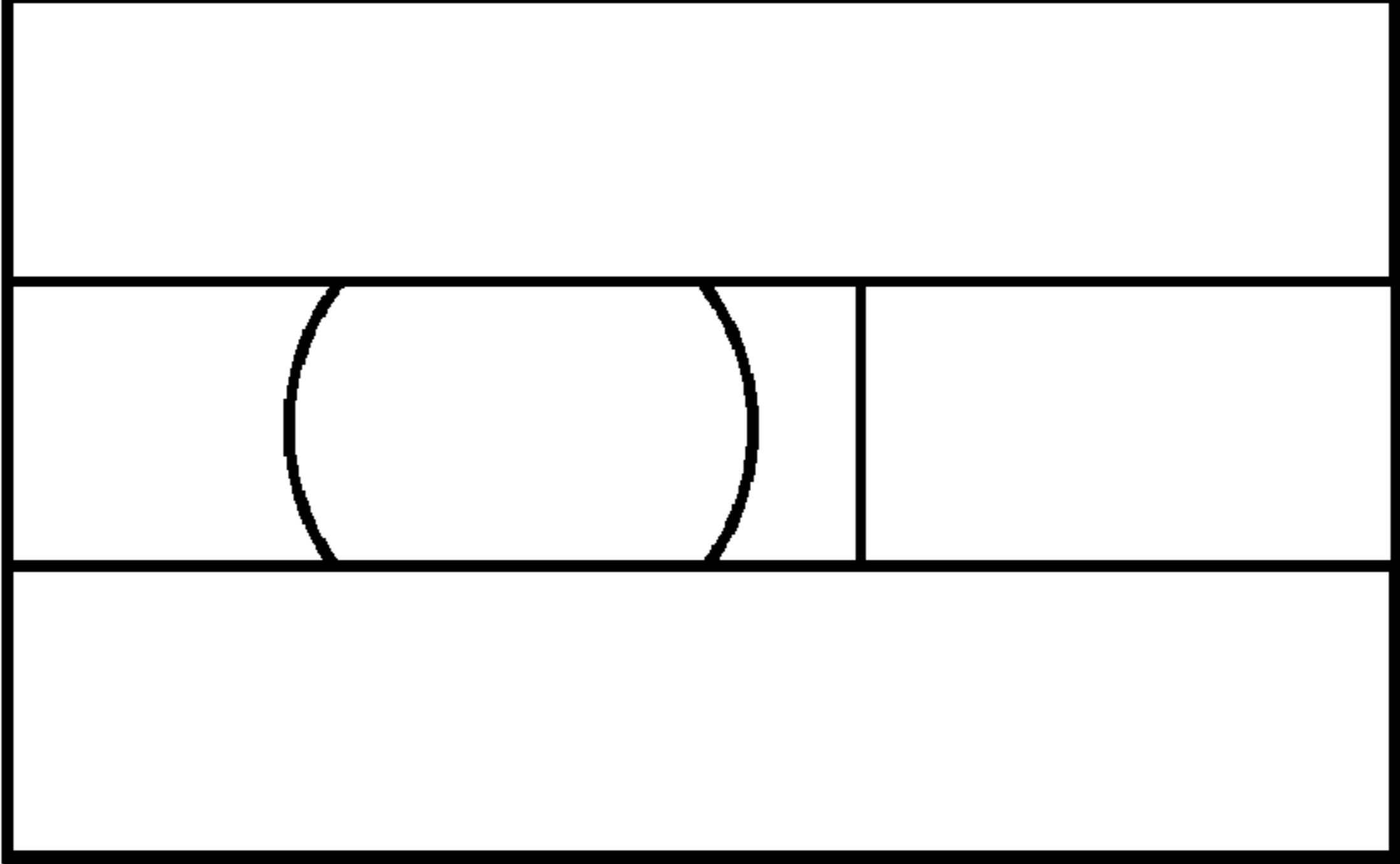


FIG. 4

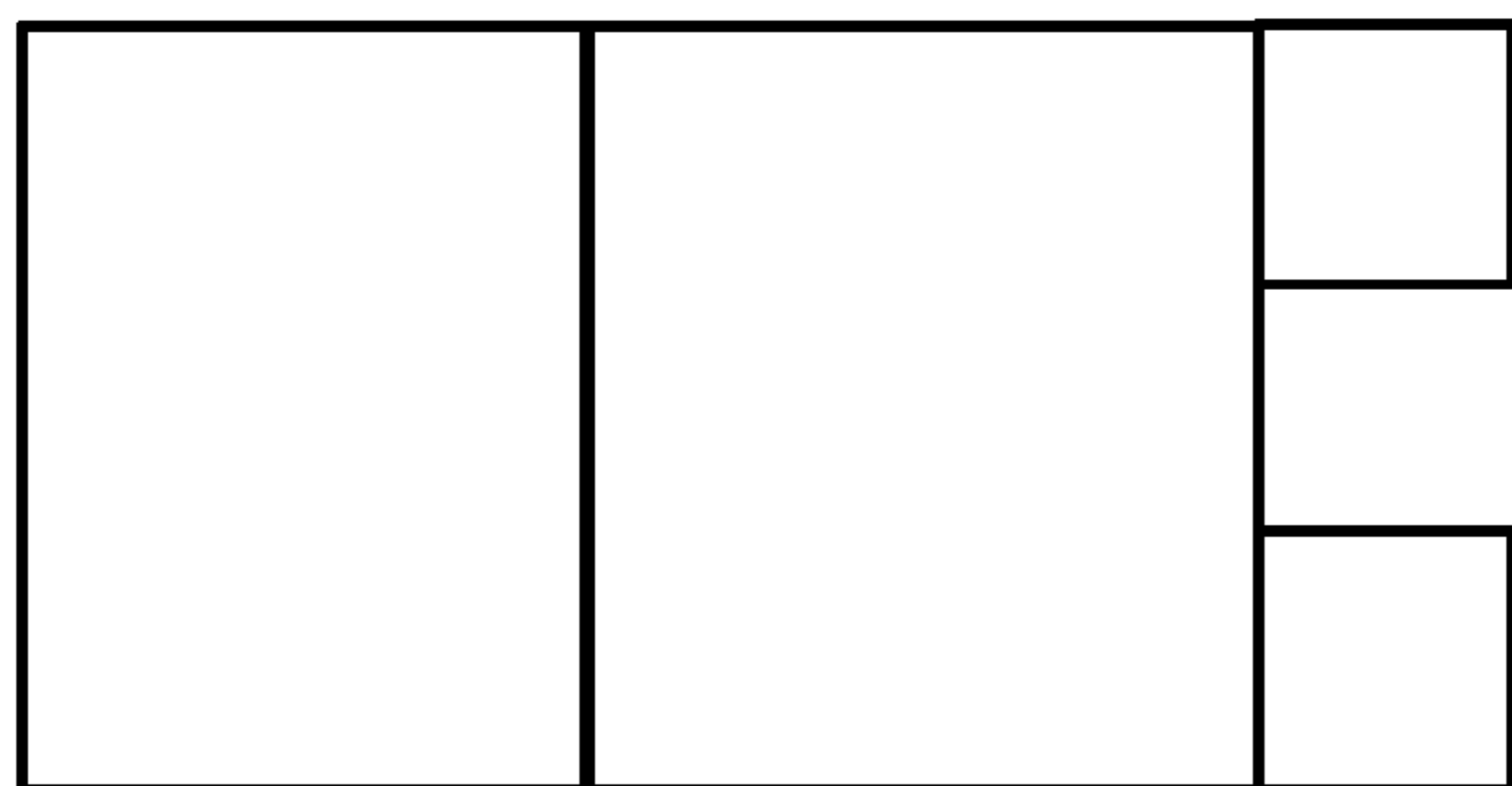


FIG. 5

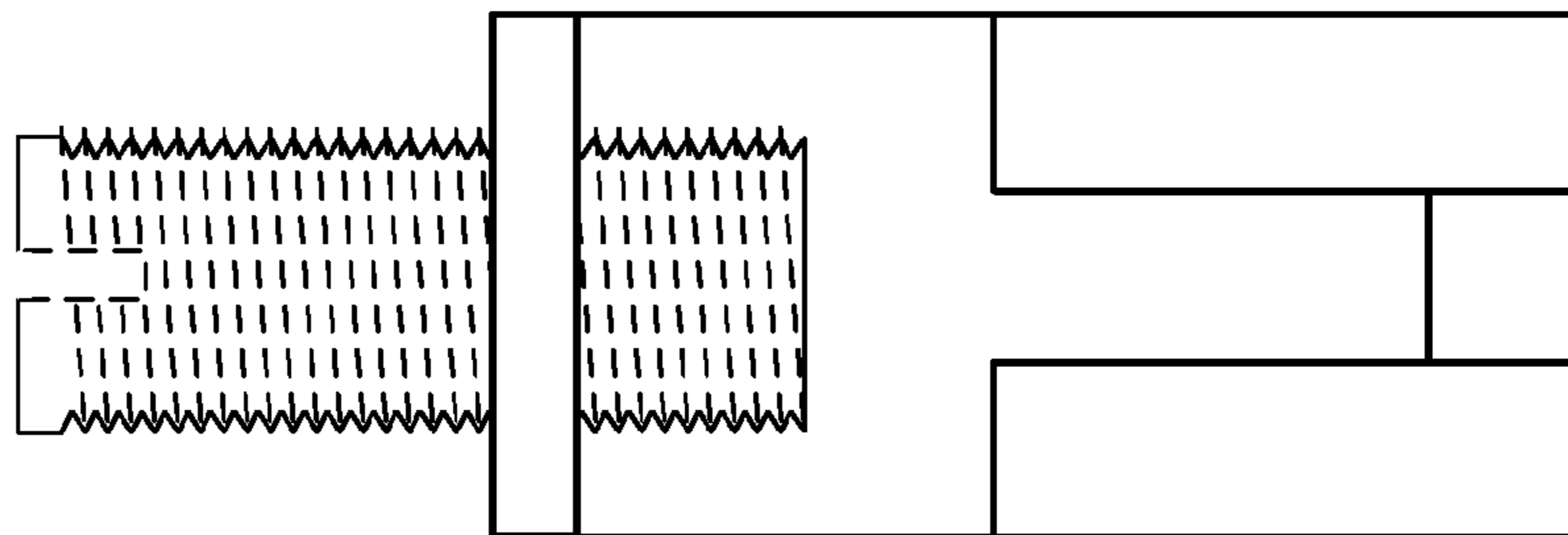


FIG. 6

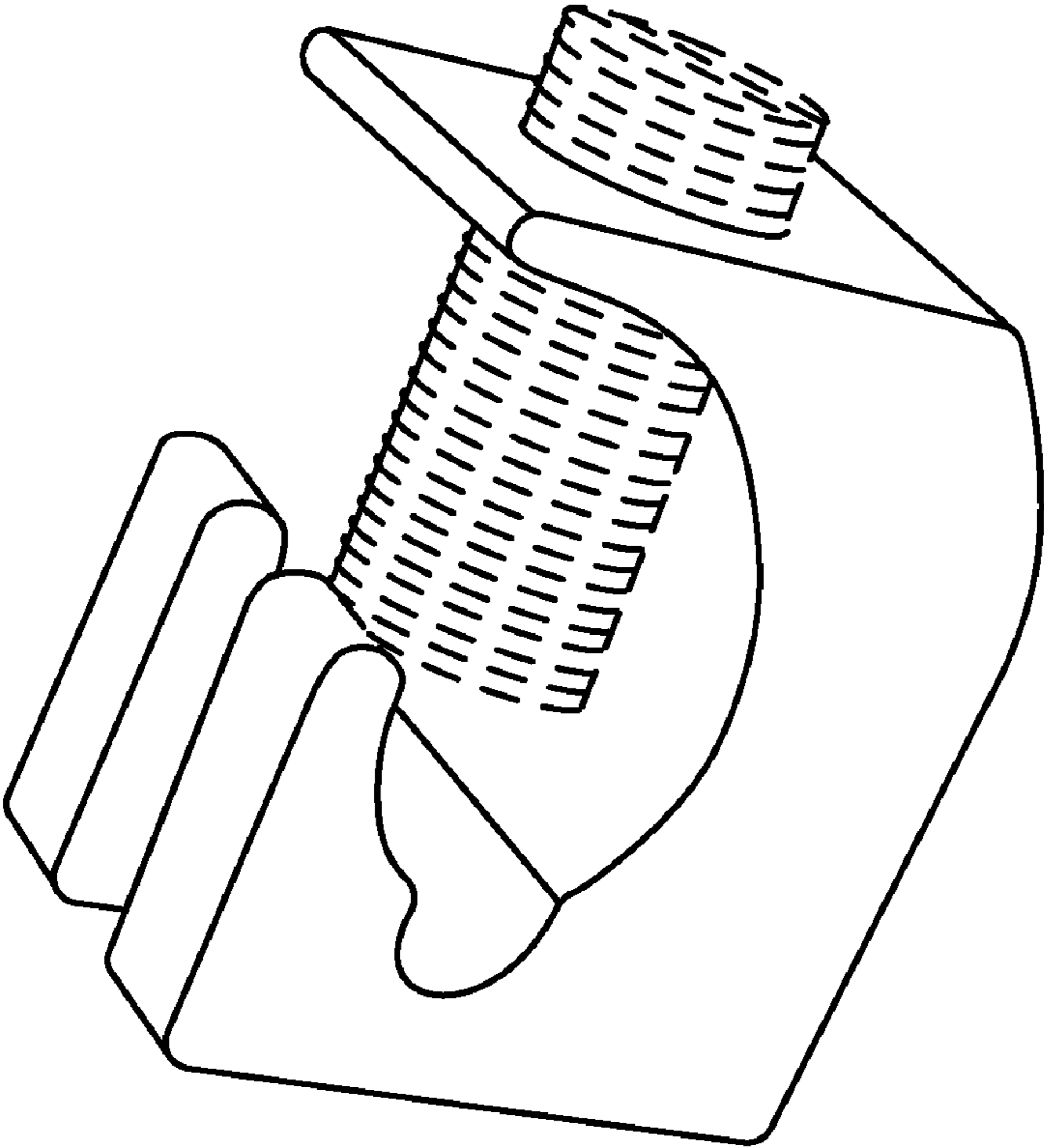


FIG. 7