



US00D629362S

(12) **United States Design Patent**
Woodruff

(10) **Patent No.:** **US D629,362 S**

(45) **Date of Patent:** **** *Dec. 21, 2010**

(54) **MULTI-PIN RECEPTACLE**

(75) Inventor: **Clark Woodruff**, Loma Linda, CA (US)

(73) Assignee: **Deutsch Engineered Connecting Devices, Inc.**, Hemet, CA (US)

(*) Notice: This patent is subject to a terminal disclaimer.

(**) Term: **14 Years**

(21) Appl. No.: **29/361,464**

(22) Filed: **May 11, 2010**

(51) **LOC (9) Cl.** **13-03**

(52) **U.S. Cl.** **D13/147**

(58) **Field of Classification Search** D13/133,
D13/147, 154, 184; 439/137, 146, 180, 266,
439/377-378, 540.1, 541.5, 607.01, 607.04,
439/607.05, 607.17, 607.25, 607.34, 607.41,
439/607.53, 660

See application file for complete search history.

(56) **References Cited**

U.S. PATENT DOCUMENTS

D213,697 S * 4/1969 Oxley D13/147
D317,296 S * 6/1991 Hard D13/147
D396,695 S * 8/1998 Shen D13/147

7,484,998 B2 * 2/2009 Benham 439/579
D608,287 S * 1/2010 Zheng et al. D13/147
D608,292 S * 1/2010 Stutz D13/147
2007/0111573 A1 * 5/2007 Seymour 439/180

* cited by examiner

Primary Examiner—Daniel D Bui

(74) *Attorney, Agent, or Firm*—O'Melveny & Myers LLP

(57) **CLAIM**

The ornamental design for a multi-pin receptacle, as shown and described.

DESCRIPTION

FIG. 1 is a first top perspective view of a multi-pin receptacle showing my new design;

FIG. 2 is a second top perspective view thereof;

FIG. 3 is a front elevation view thereof;

FIG. 4 is a back elevation view thereof;

FIG. 5 is a left side elevation view thereof;

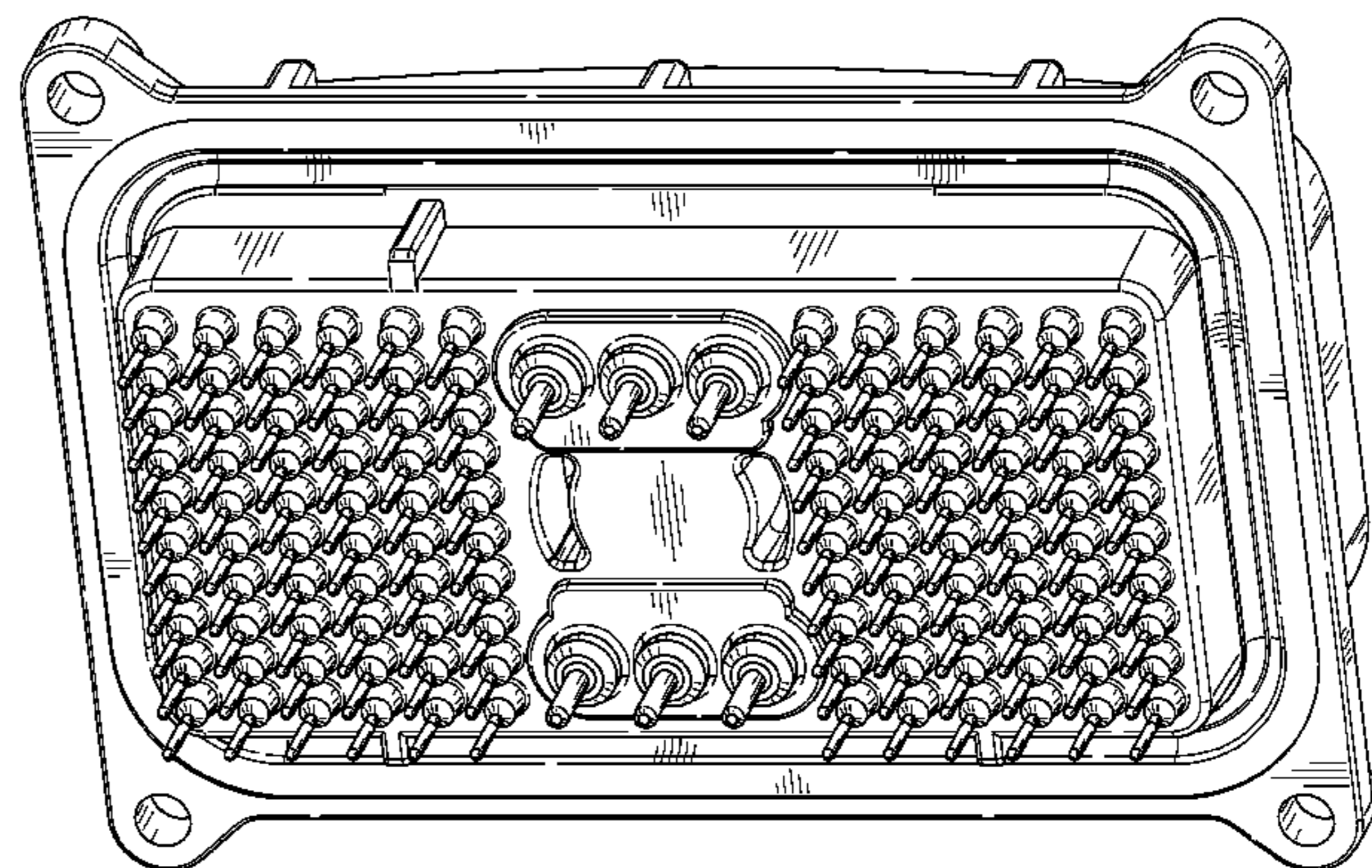
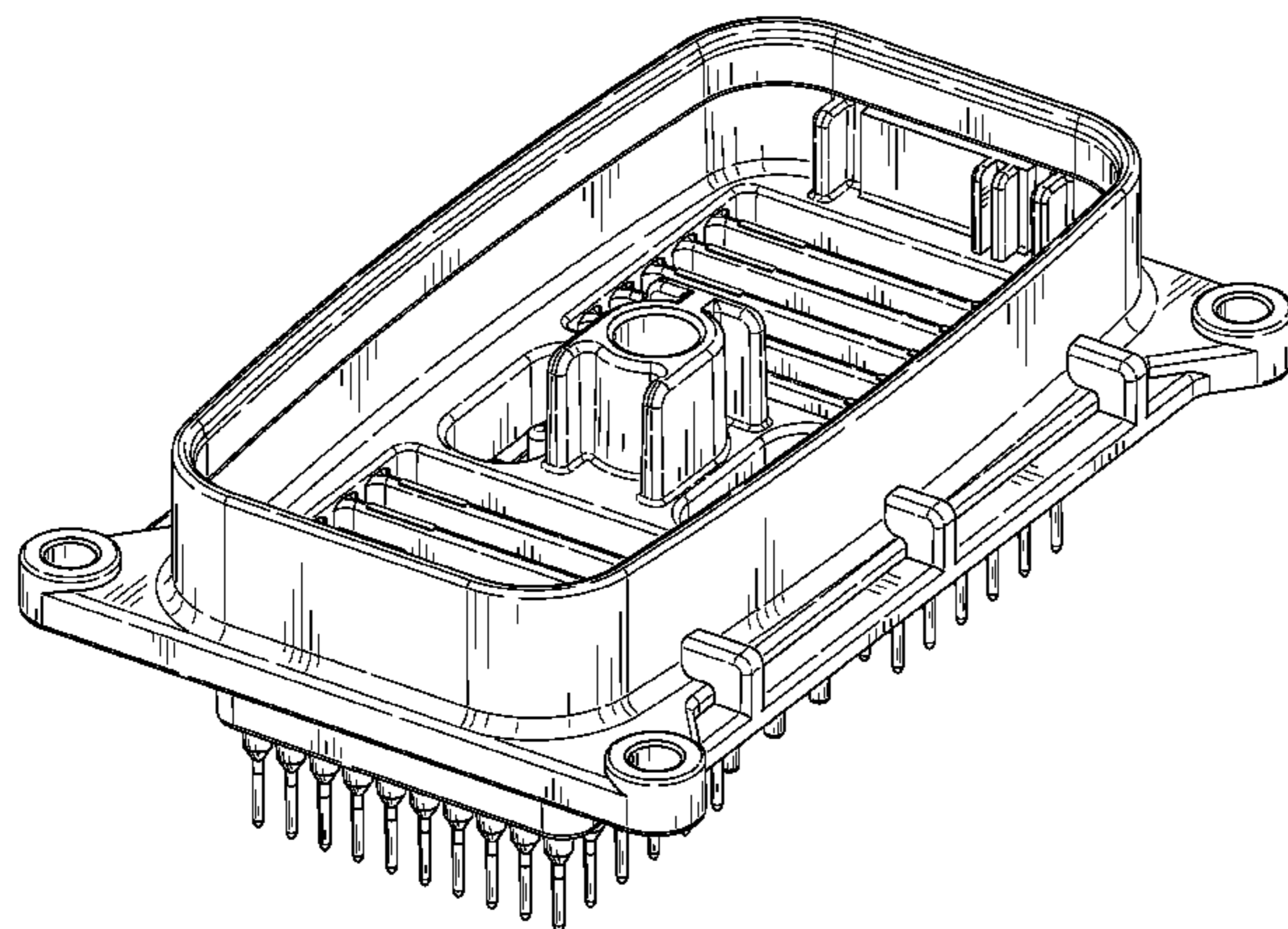
FIG. 6 is a right side elevation view thereof;

FIG. 7 is a top plan view thereof;

FIG. 8 is a bottom plan view thereof; and,

FIG. 9 is a bottom perspective view thereof.

1 Claim, 8 Drawing Sheets



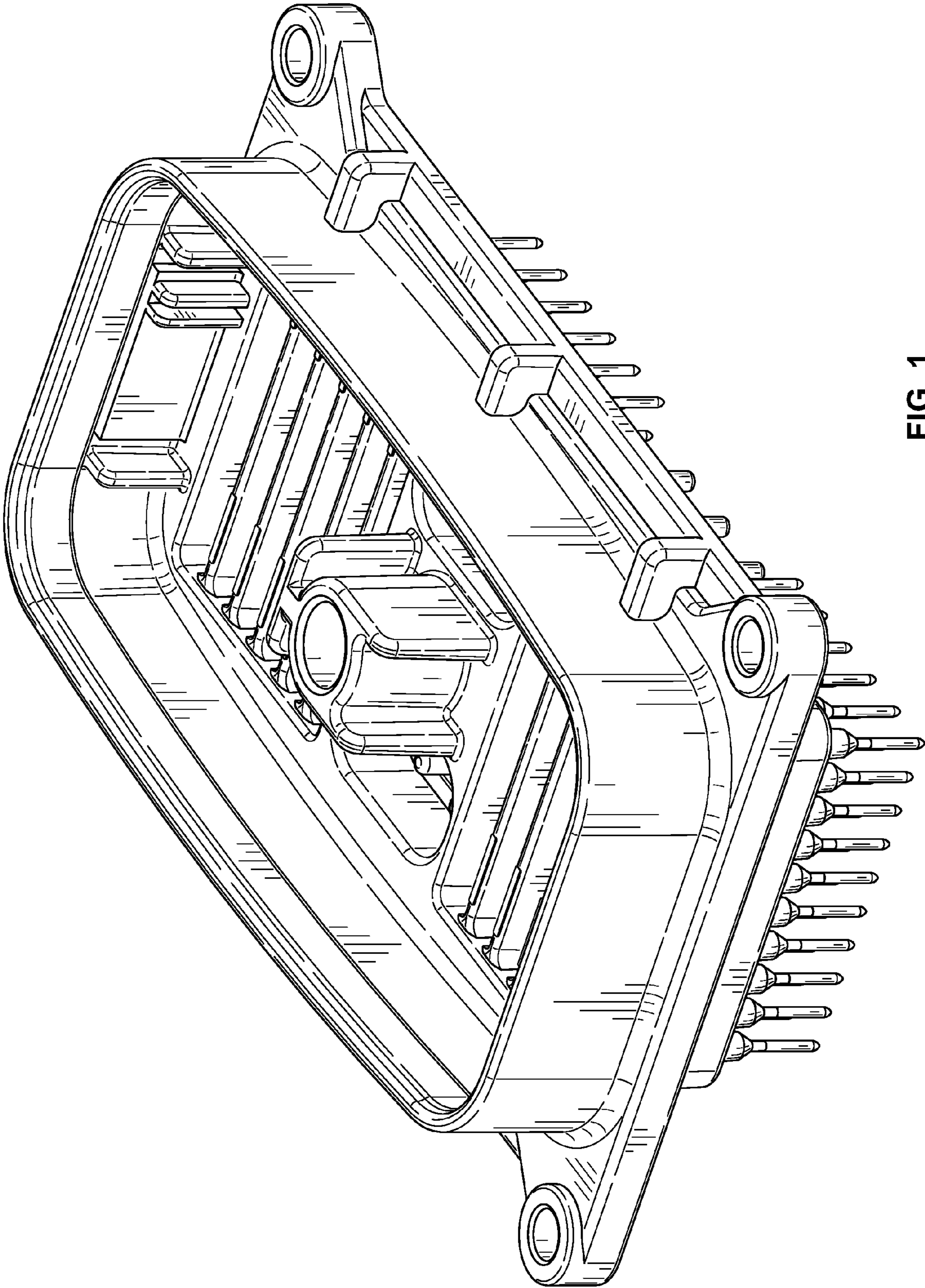


FIG. 1

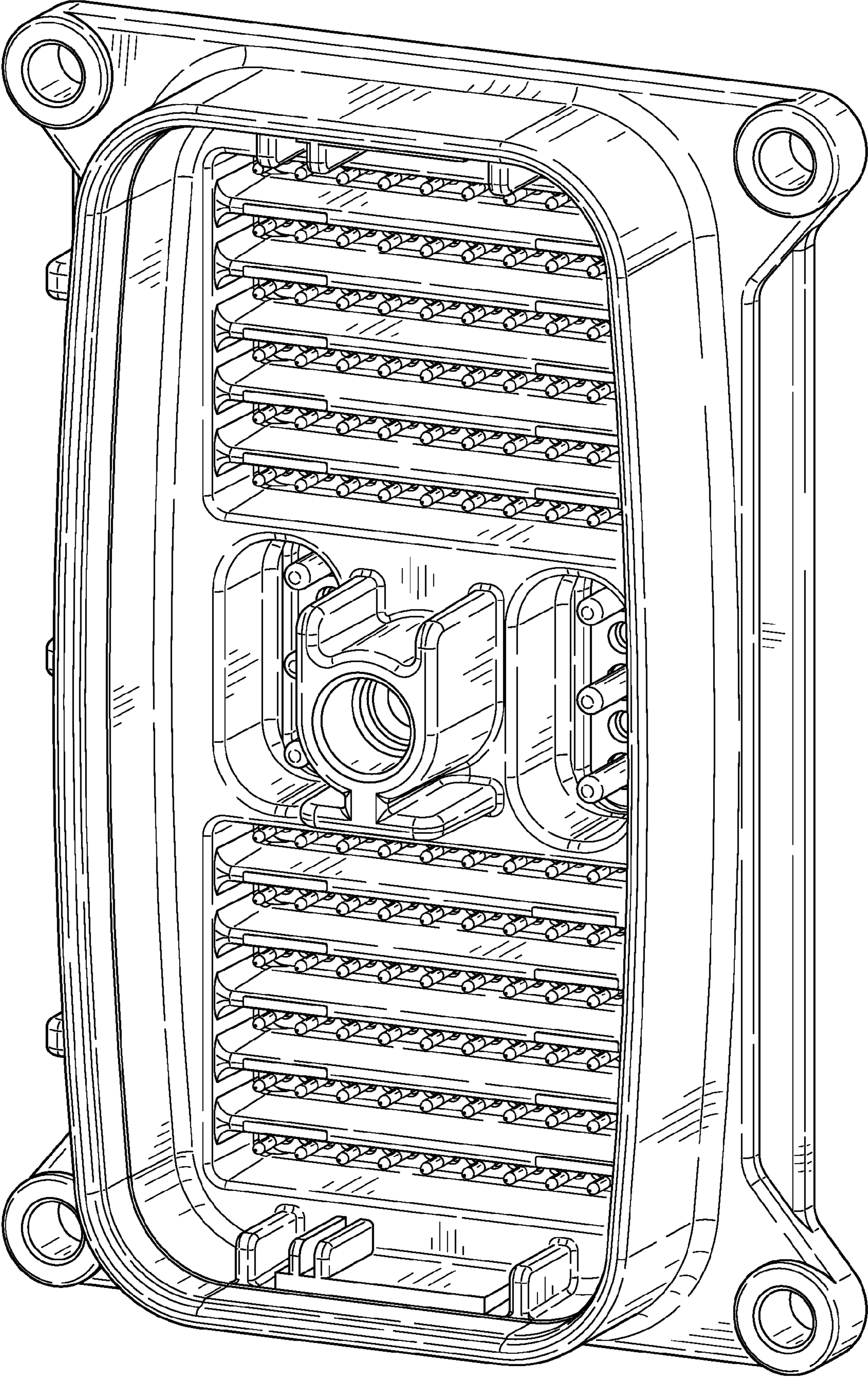


FIG. 2

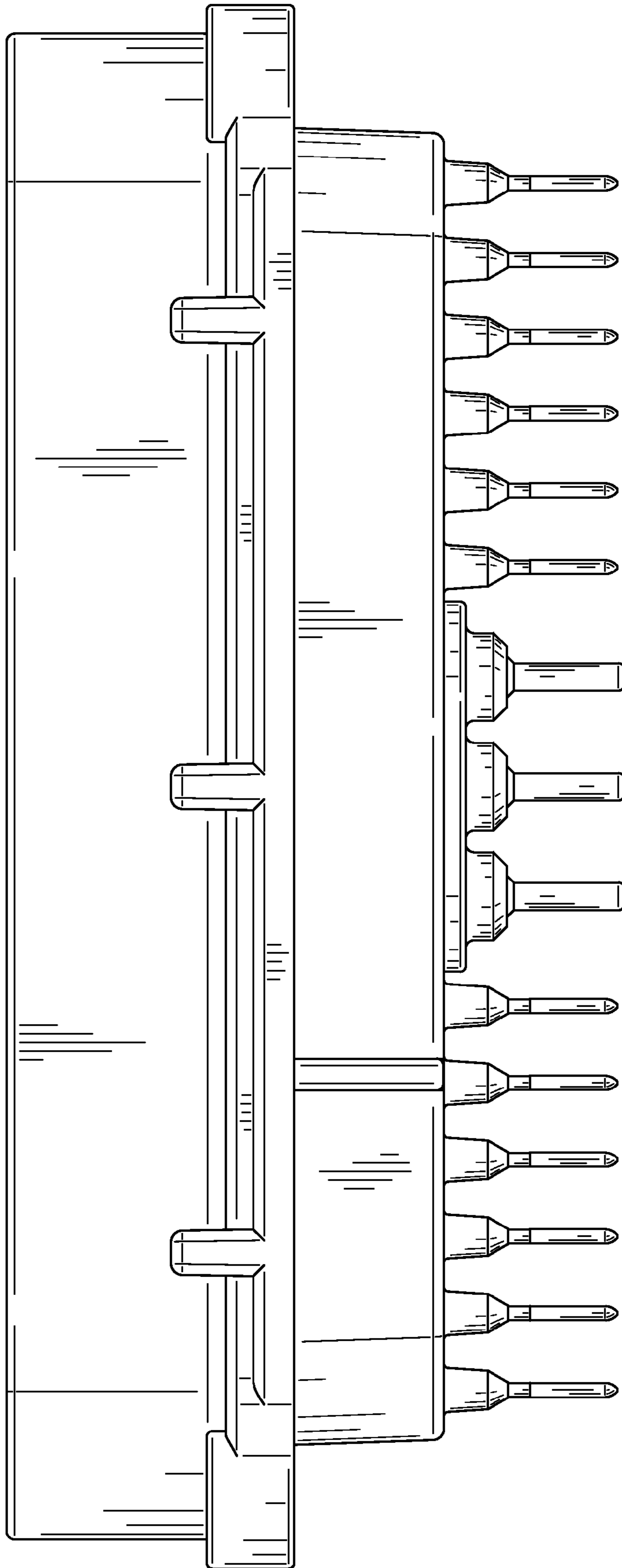


FIG. 3

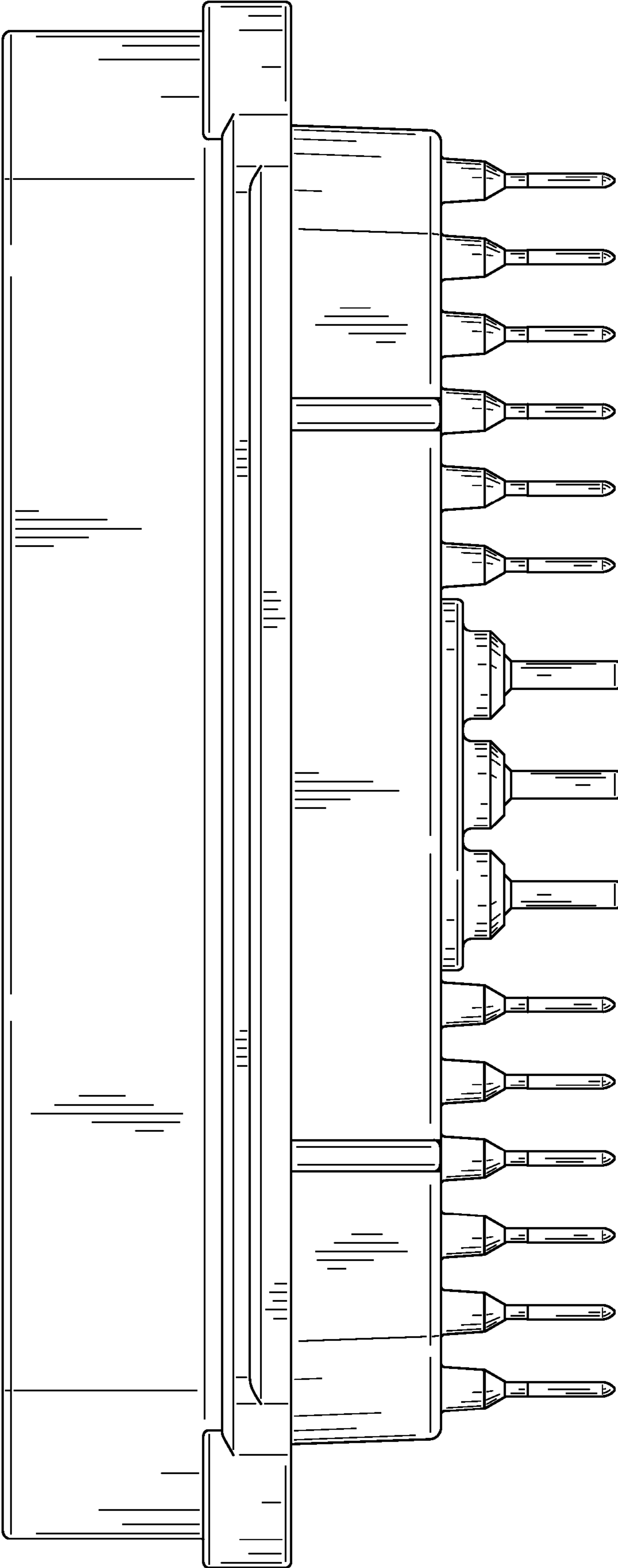


FIG. 4

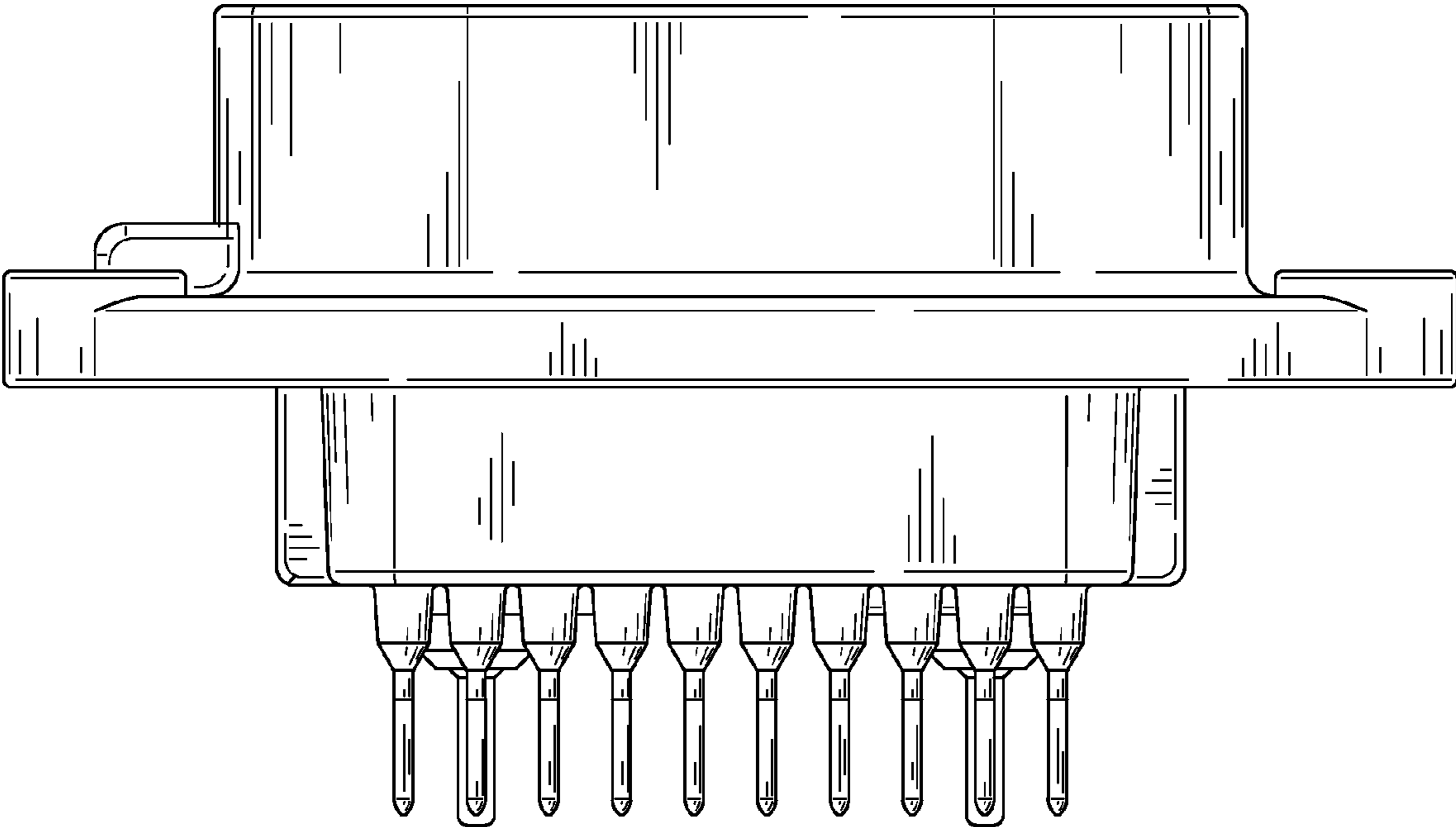


FIG. 5

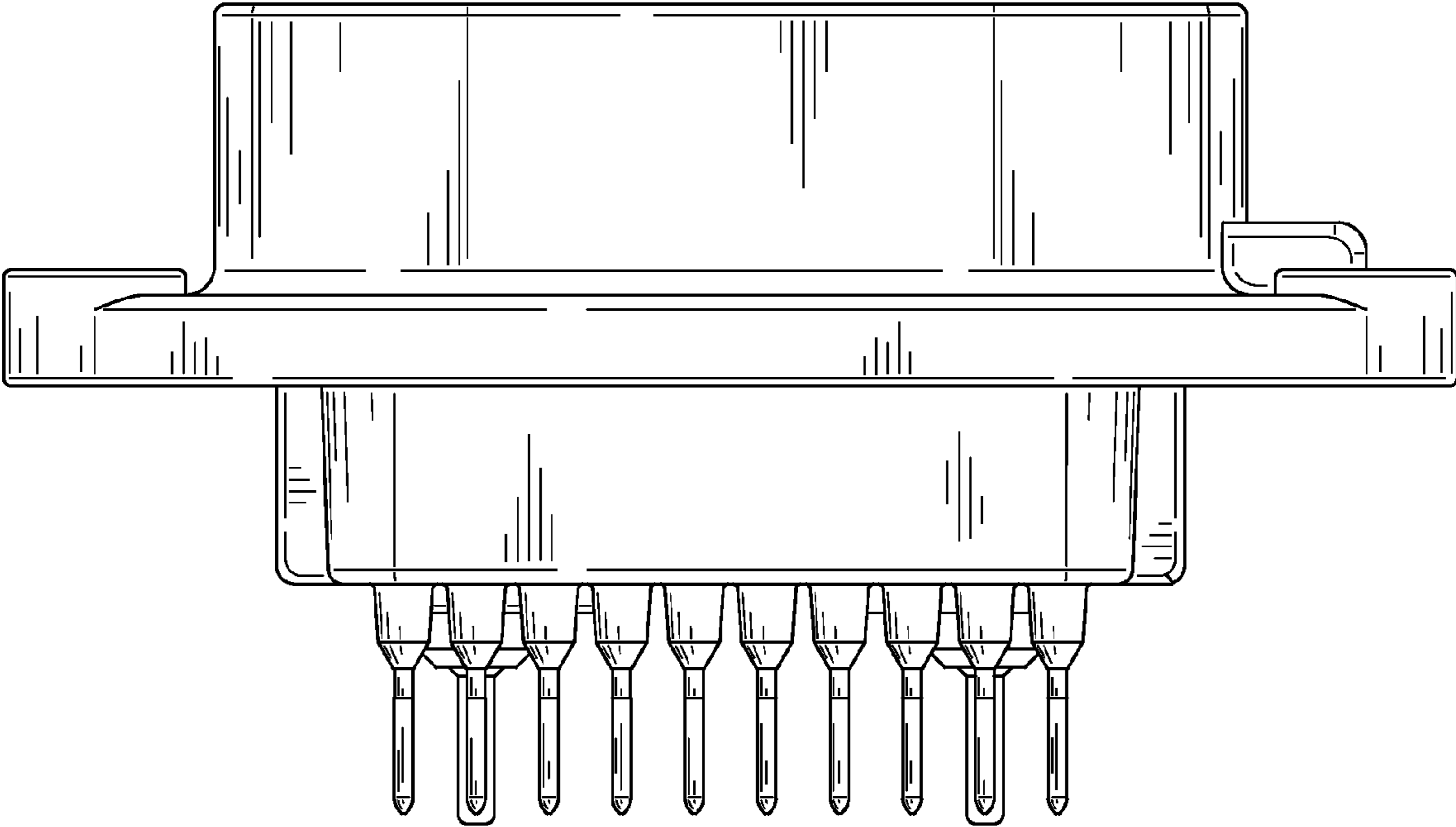


FIG. 6

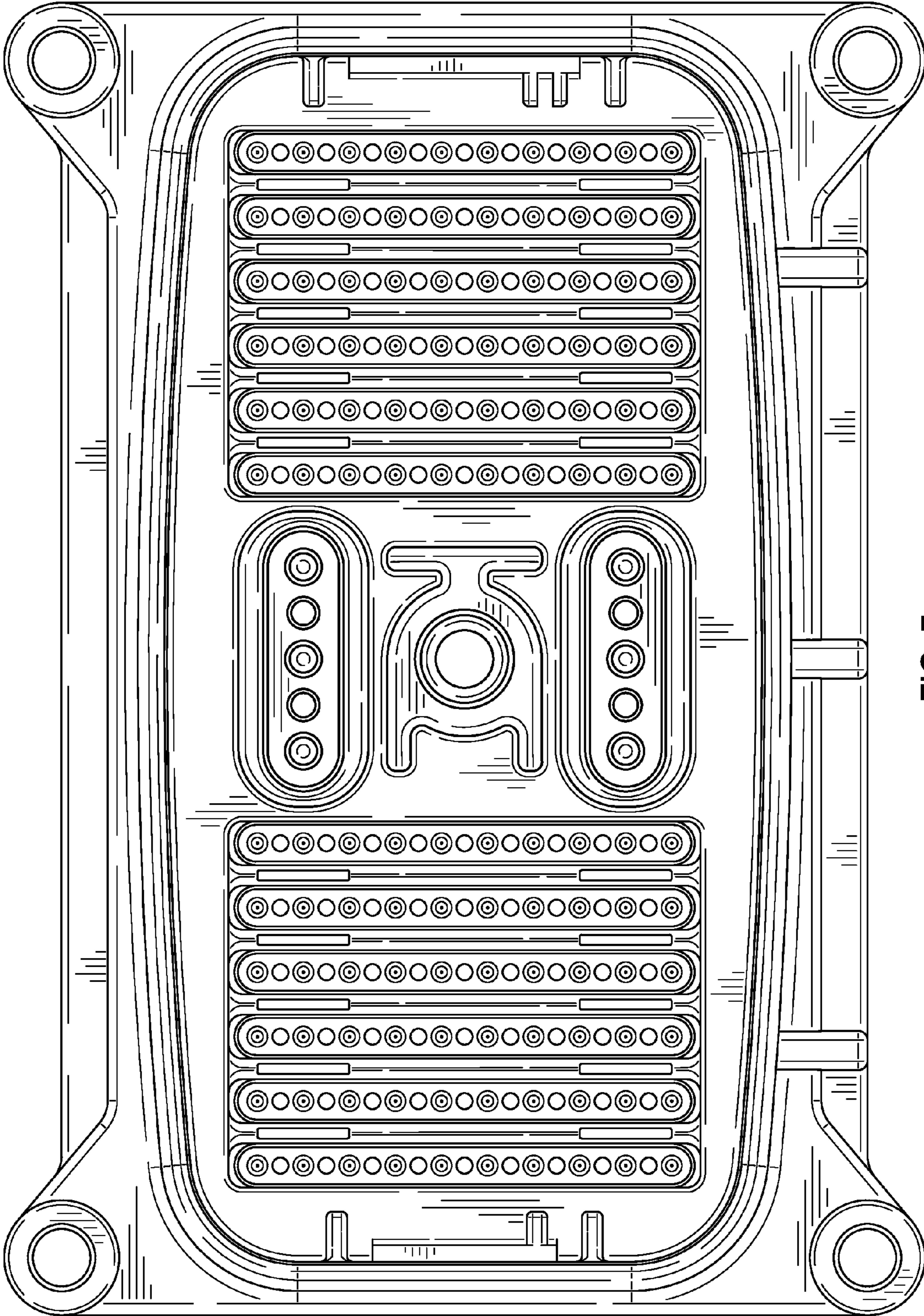


FIG. 7

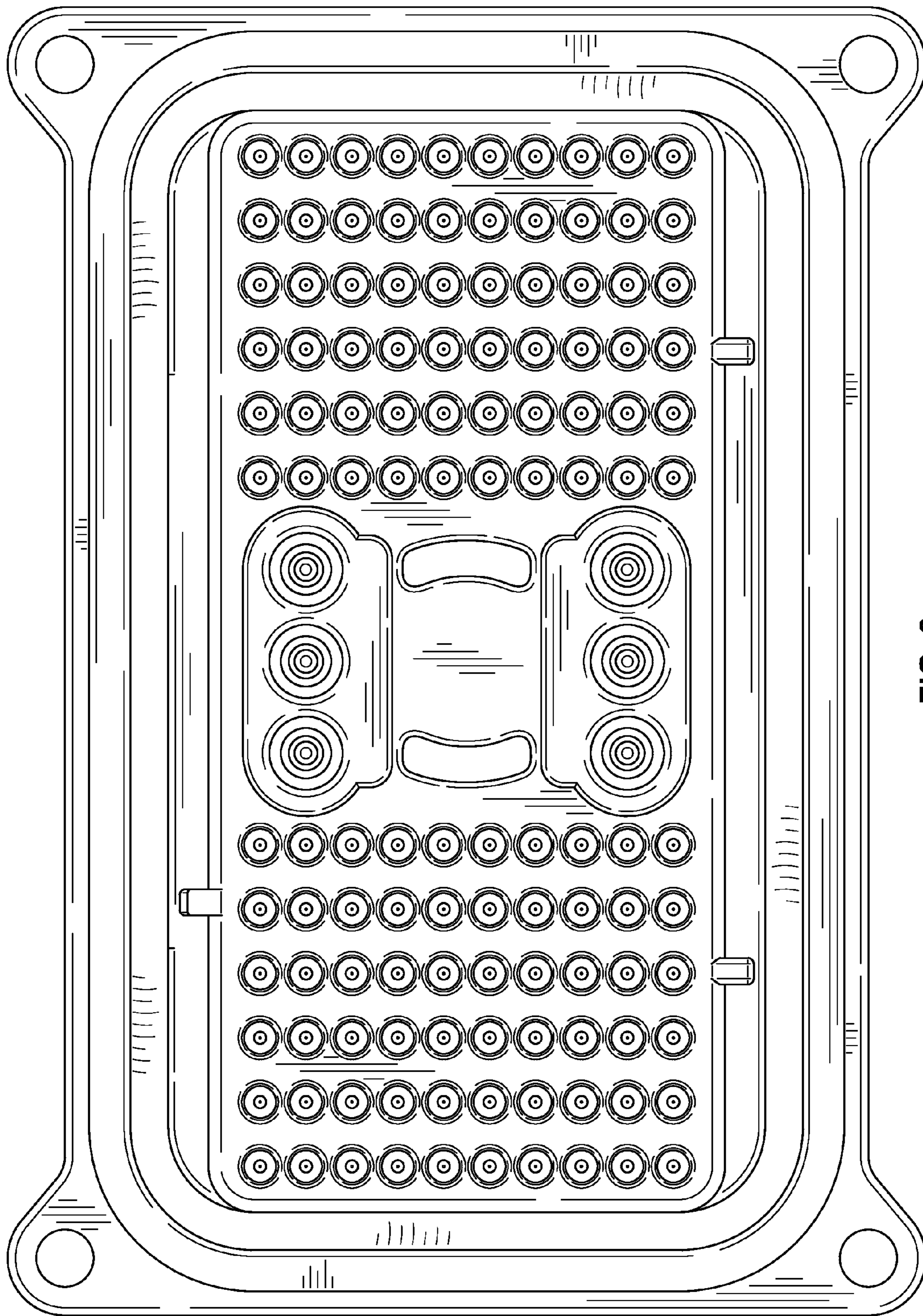


FIG. 8

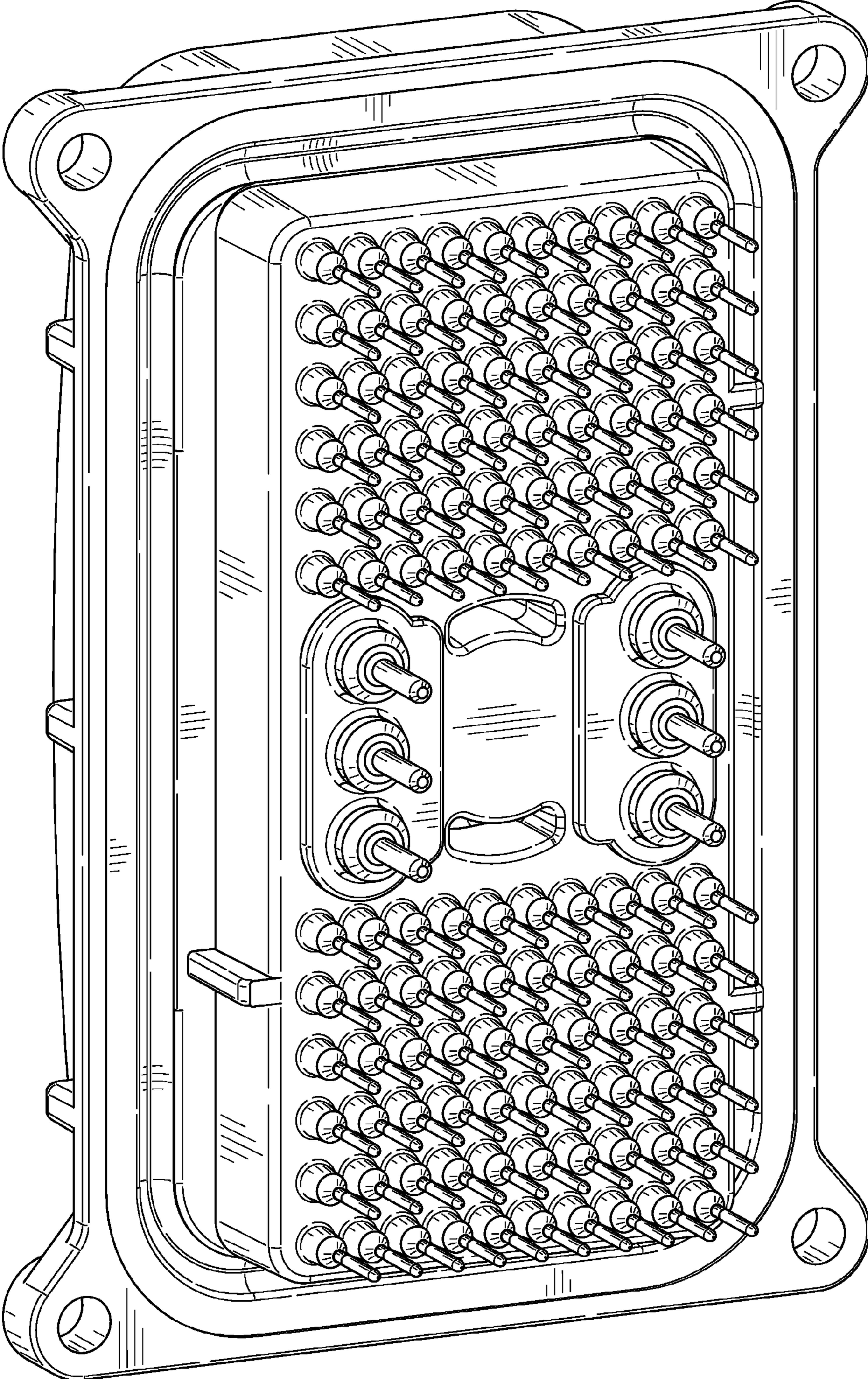


FIG. 9