



US00D629361S

(12) **United States Design Patent**
Arai et al.

(10) **Patent No.:** **US D629,361 S**

(45) **Date of Patent:** **** Dec. 21, 2010**

(54) **ELECTRICAL CONNECTOR**

(75) Inventors: **Junichi Arai**, Isesaki (JP); **Takao Asano**, Isesaki (JP)

(73) Assignee: **Hosiden Corporation**, Yao-shi, Osaka (JP)

(**) Term: **14 Years**

(21) Appl. No.: **29/361,009**

(22) Filed: **May 4, 2010**

(30) **Foreign Application Priority Data**

Nov. 6, 2009 (JP) 2009-025954

(51) **LOC (9) Cl.** **13-03**

(52) **U.S. Cl.** **D13/147**

(58) **Field of Classification Search** D13/47,
D13/154; 439/79, 108, 278, 374, 377, 607.01,
439/607.04, 607.05, 607.17, 607.25, 607.34,
439/607.41, 607.53, 660, 680, 682, 883,
439/891, 894

See application file for complete search history.

(56) **References Cited**

U.S. PATENT DOCUMENTS

D478,320 S * 8/2003 Suzuki et al. D13/147
D482,002 S * 11/2003 Suzuki et al. D13/147
D482,331 S * 11/2003 Suzuki et al. D13/147
D553,090 S * 10/2007 Lai et al. D13/147
D611,424 S * 3/2010 Arai et al. D13/147

2010/0124829 A1* 5/2010 He et al. 439/76.1

FOREIGN PATENT DOCUMENTS

JP D1139182 4/2002
JP D1299344 5/2007
TW D124773 9/2008

* cited by examiner

Primary Examiner—Daniel D Bui

(74) *Attorney, Agent, or Firm*—Rankin, Hill & Clark LLP

(57) **CLAIM**

The ornamental design for an electrical connector, as shown and described.

DESCRIPTION

FIG. 1 is a front, right side and bottom perspective view of an electrical connector showing our new design;

FIG. 2 is a front, right side and top perspective view of the electrical connector thereof;

FIG. 3 is a front elevation view of the electrical connector thereof;

FIG. 4 is a rear elevation view of the electrical connector thereof;

FIG. 5 is a left side view of the electrical connector thereof;

FIG. 6 is a top plan view thereof; and,

FIG. 7 is a bottom plan view thereof.

The broken line portion of the figure drawings is included to show unclaimed subject matter only and forms no part of the claimed design.

1 Claim, 4 Drawing Sheets

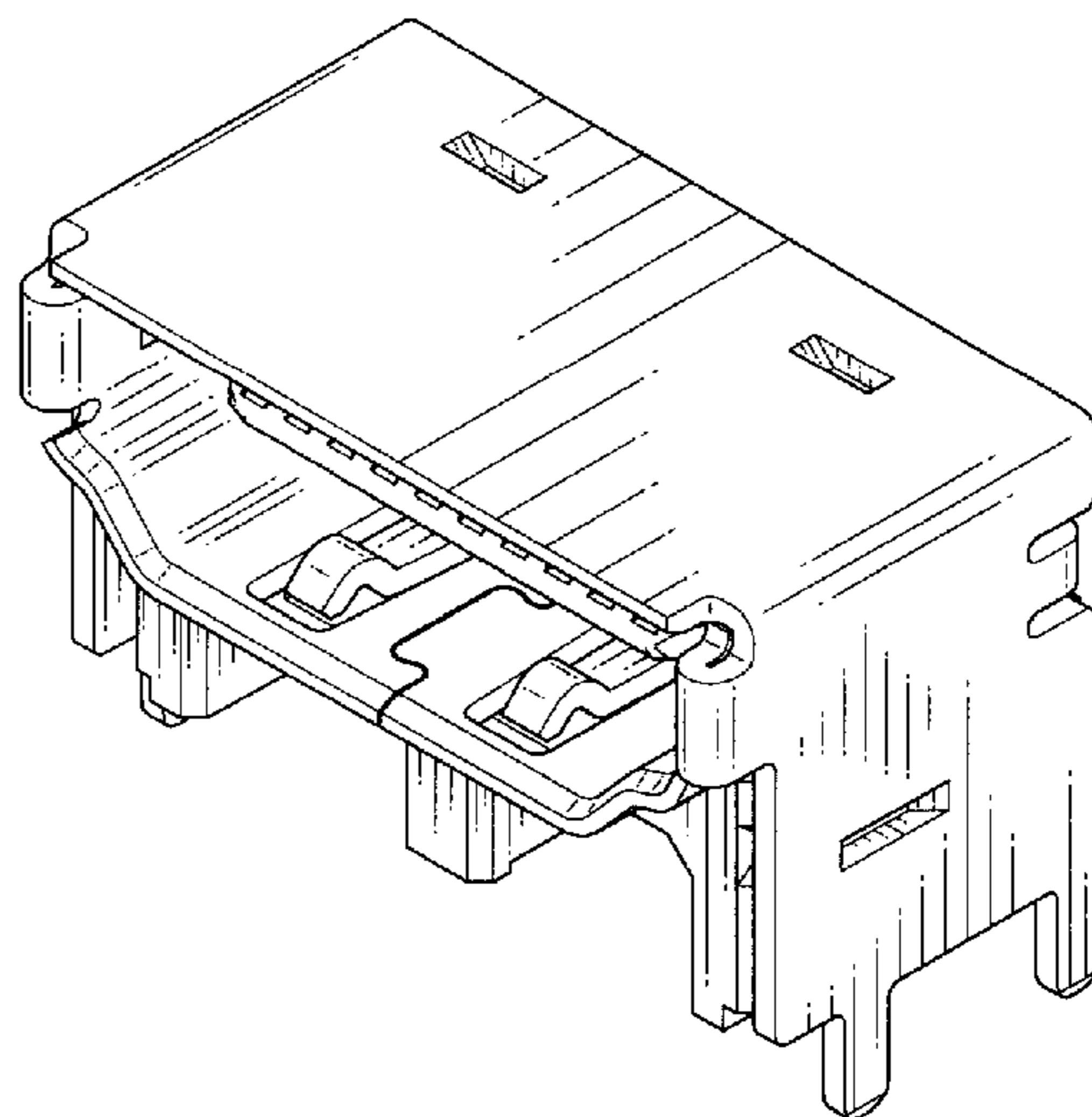
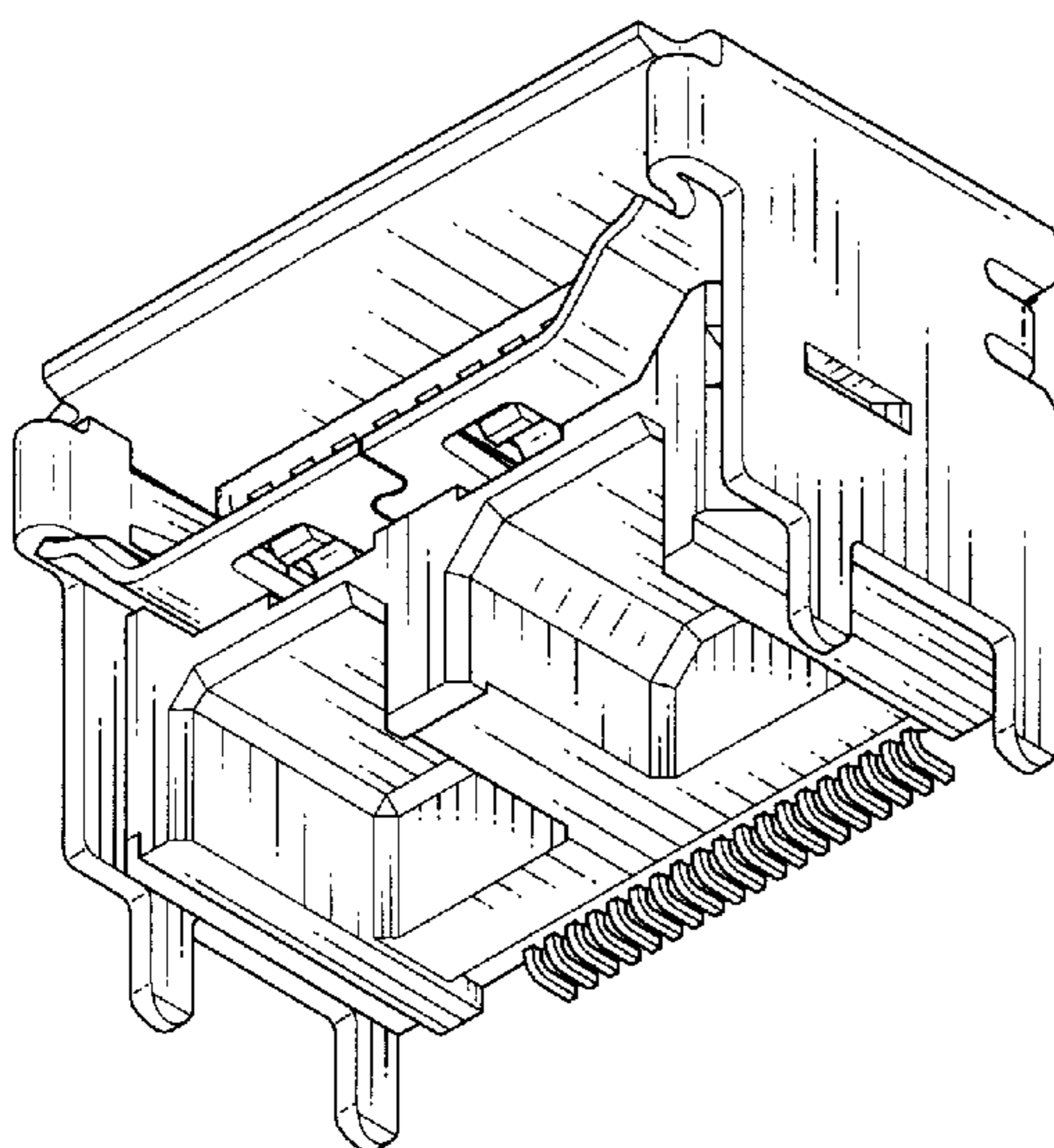


Fig. 1

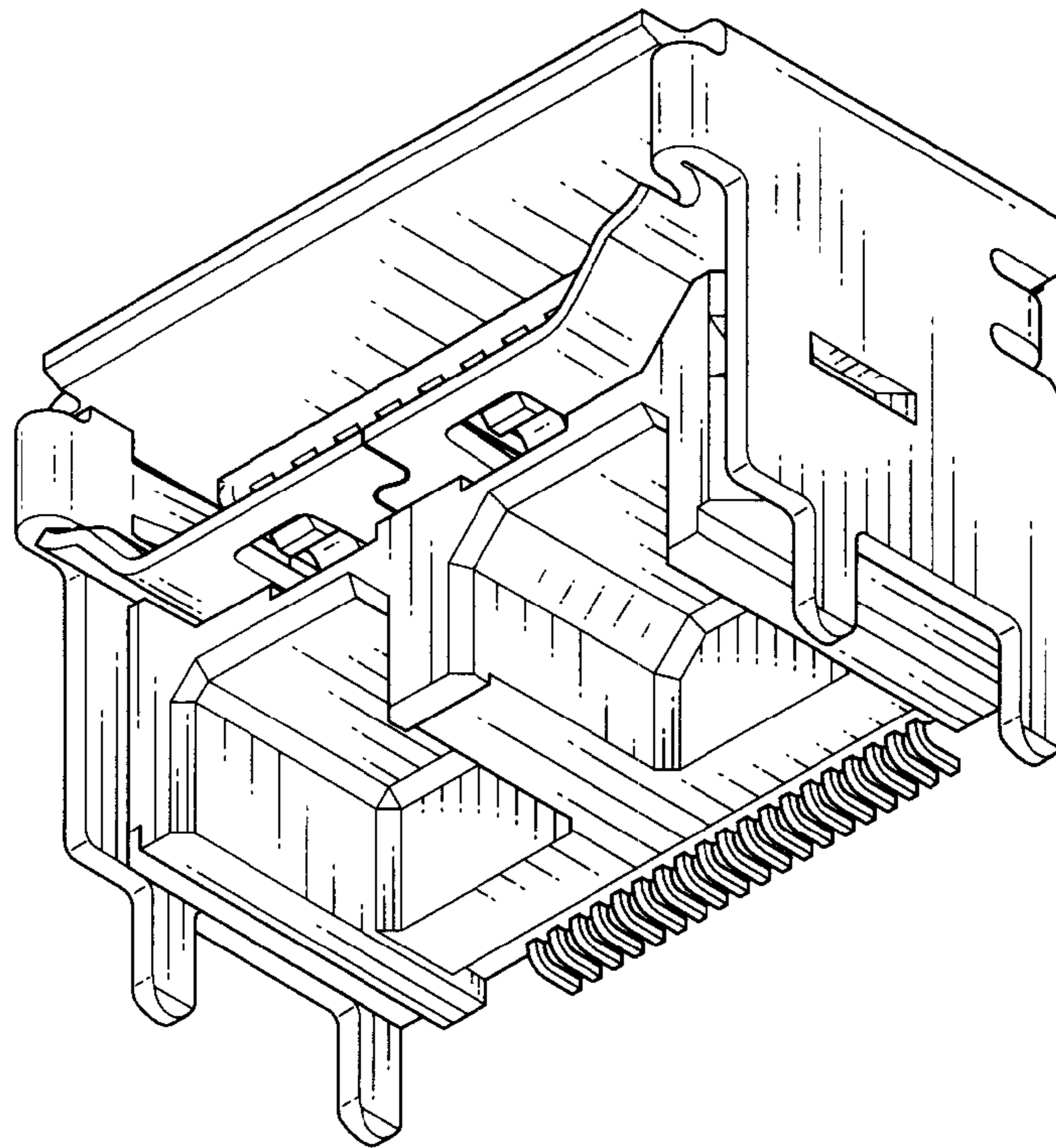


Fig. 2

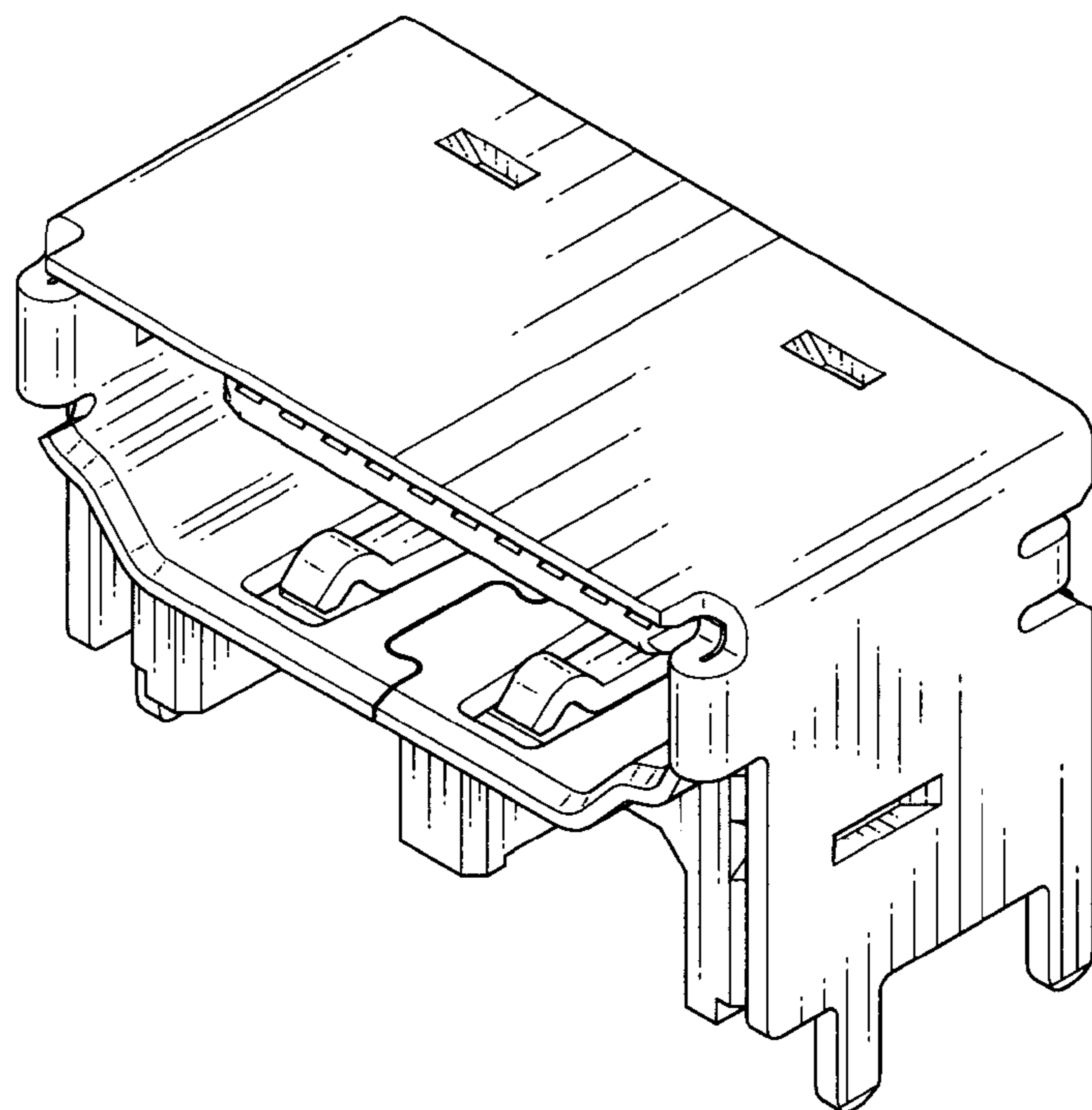


Fig. 3

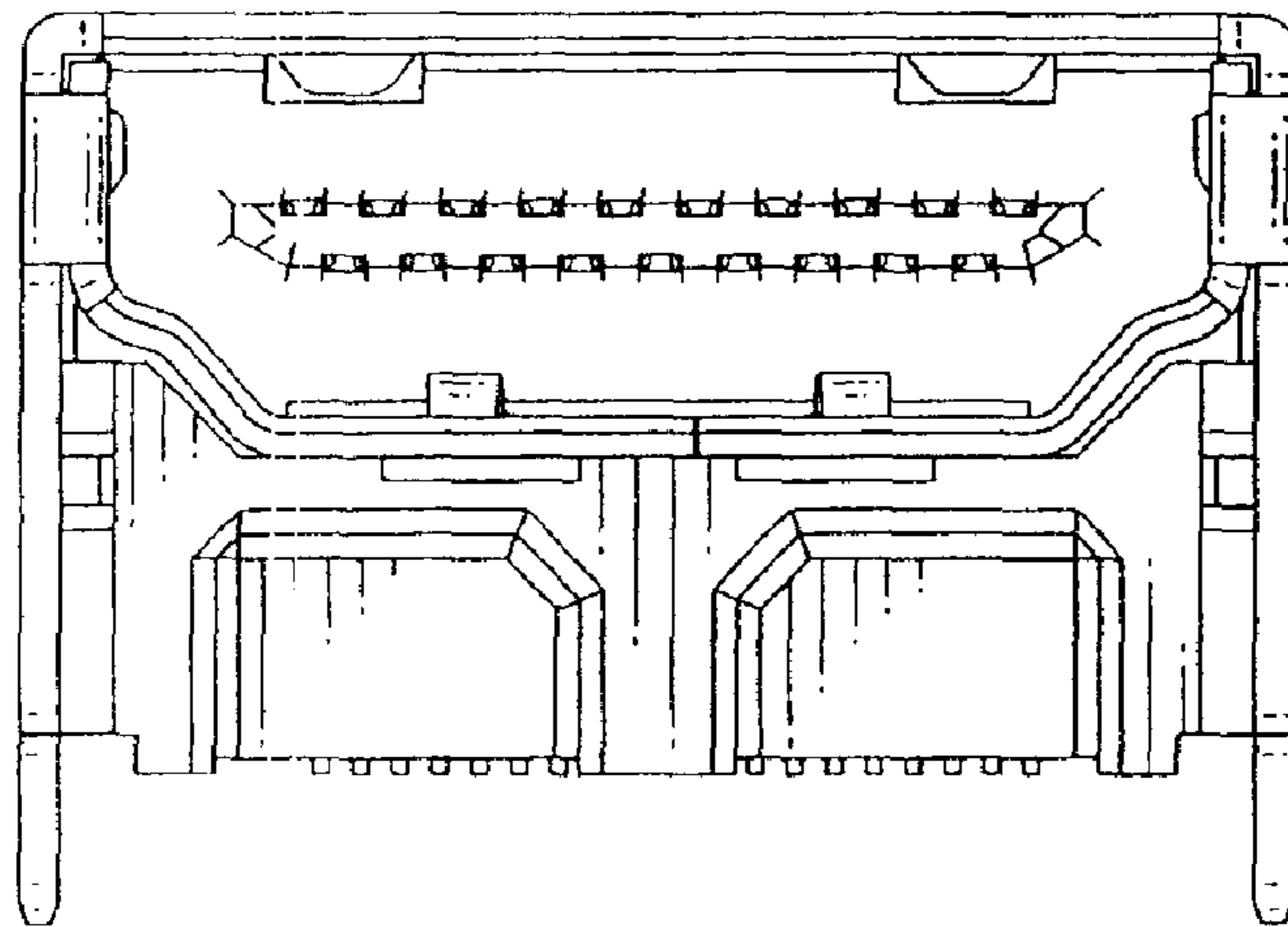


Fig. 4

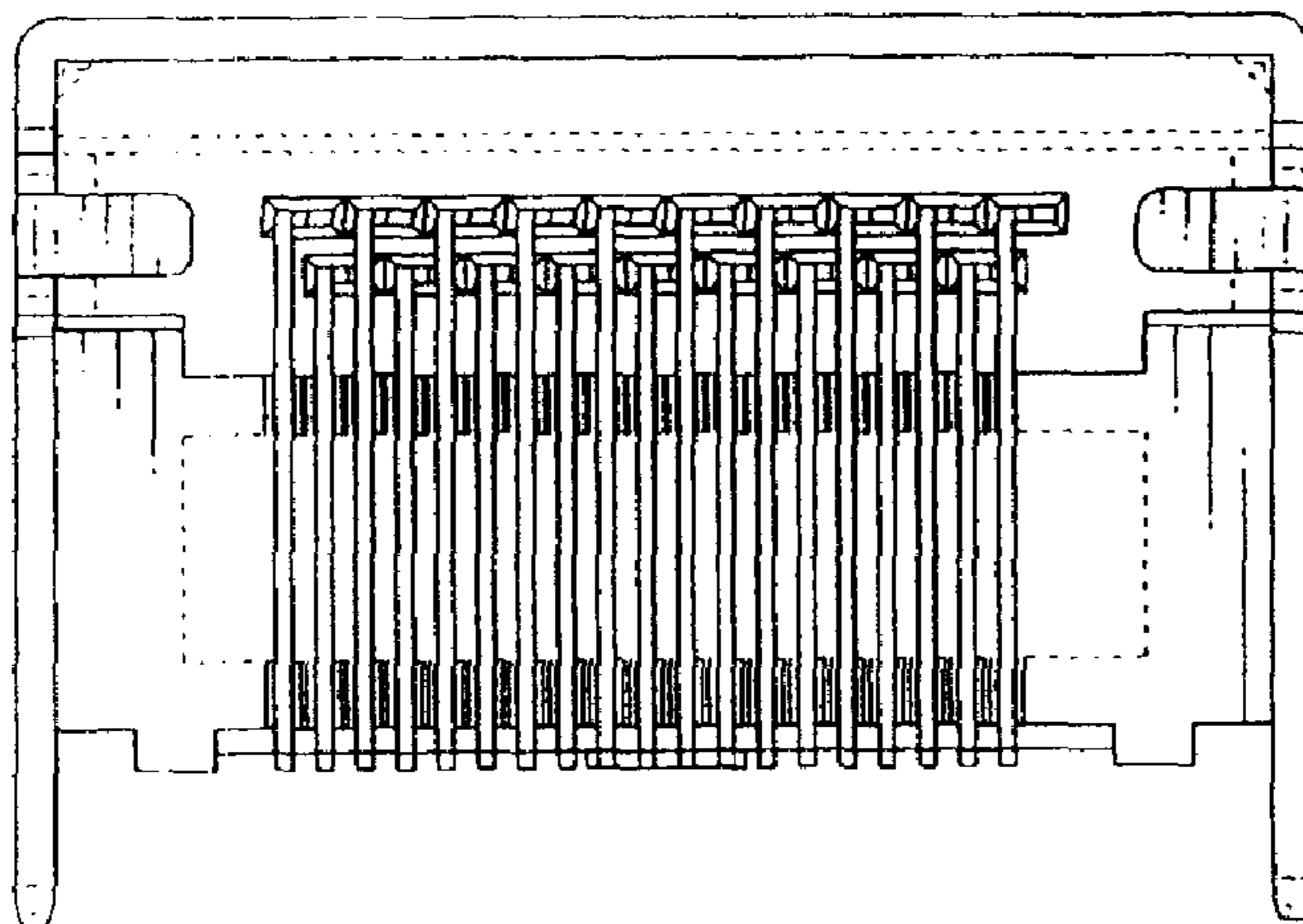


Fig. 5

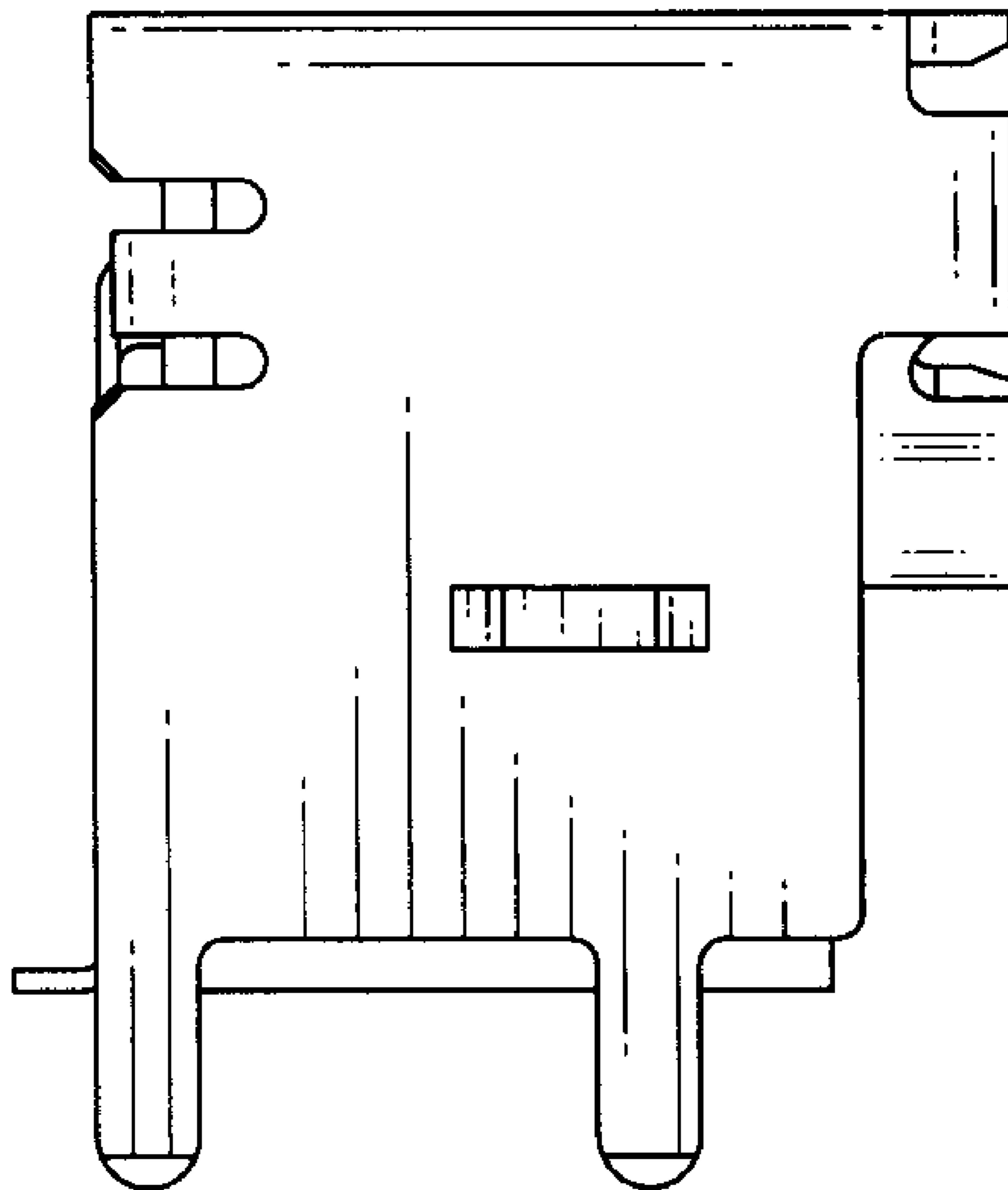


Fig. 6

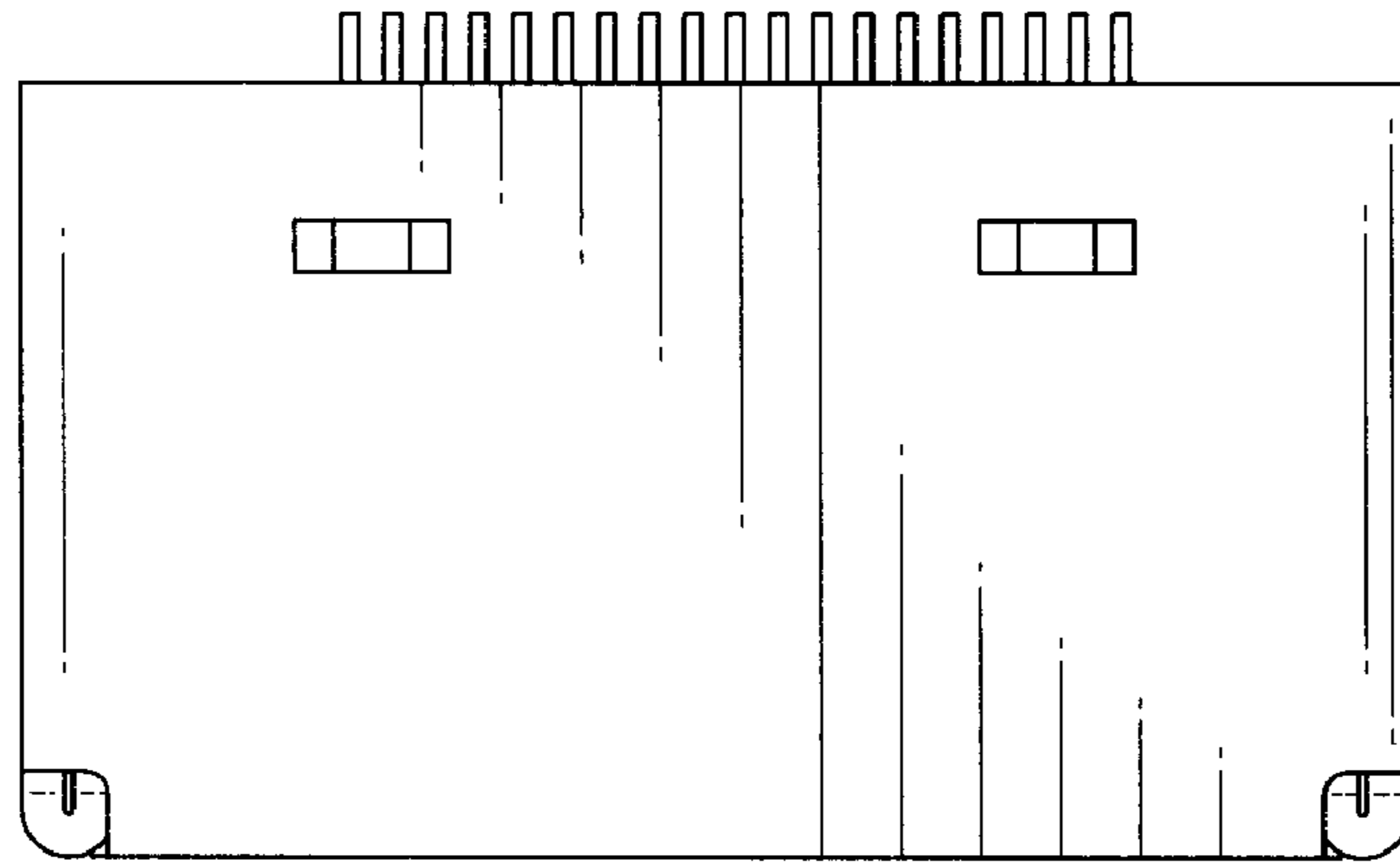


Fig. 7

