



US00D629360S

(12) **United States Design Patent**
Hayashi et al.

(10) **Patent No.:** **US D629,360 S**

(45) **Date of Patent:** **** *Dec. 21, 2010**

(54) **CONNECTOR**

(75) Inventors: **Koji Hayashi**, Tokyo (JP); **Takeshi Shindo**, Tokyo (JP); **Takamitsu Nakajima**, Tokyo (JP)

(73) Assignee: **Japan Aviation Electronics Industry, Limited**, Tokyo (JP)

(*) Notice: This patent is subject to a terminal disclaimer.

(**) Term: **14 Years**

(21) Appl. No.: **29/359,020**

(22) Filed: **Apr. 5, 2010**

(30) **Foreign Application Priority Data**

Mar. 3, 2010 (JP) 2010-005056

(51) **LOC (9) Cl.** **13-03**

(52) **U.S. Cl.** **D13/147**

(58) **Field of Classification Search** D13/133,
D13/147, 154, 184; 439/260, 329, 395, 422,
439/492-499

See application file for complete search history.

(56) **References Cited**

U.S. PATENT DOCUMENTS

D497,594 S * 10/2004 Hisamatsu et al. D13/147
D606,495 S * 12/2009 Hamauchi D13/147

D607,410 S * 1/2010 Ikari D13/147
D608,290 S * 1/2010 Ikari D13/147
D609,648 S * 2/2010 Kai et al. D13/147
D619,095 S * 7/2010 Yotsutani D13/147

* cited by examiner

Primary Examiner—Daniel D Bui

(74) *Attorney, Agent, or Firm*—Cermak Nakajima LLP;
Tomoko Nakajima

(57) **CLAIM**

The ornamental design for a connector, as shown.

DESCRIPTION

FIG. 1 is a front elevational view of a connector showing our new design;

FIG. 2 is a top plan view thereof;

FIG. 3 is a right side elevational view thereof;

FIG. 4 is a left side elevational view thereof;

FIG. 5 is a rear elevational view thereof;

FIG. 6 is a bottom plan view thereof.

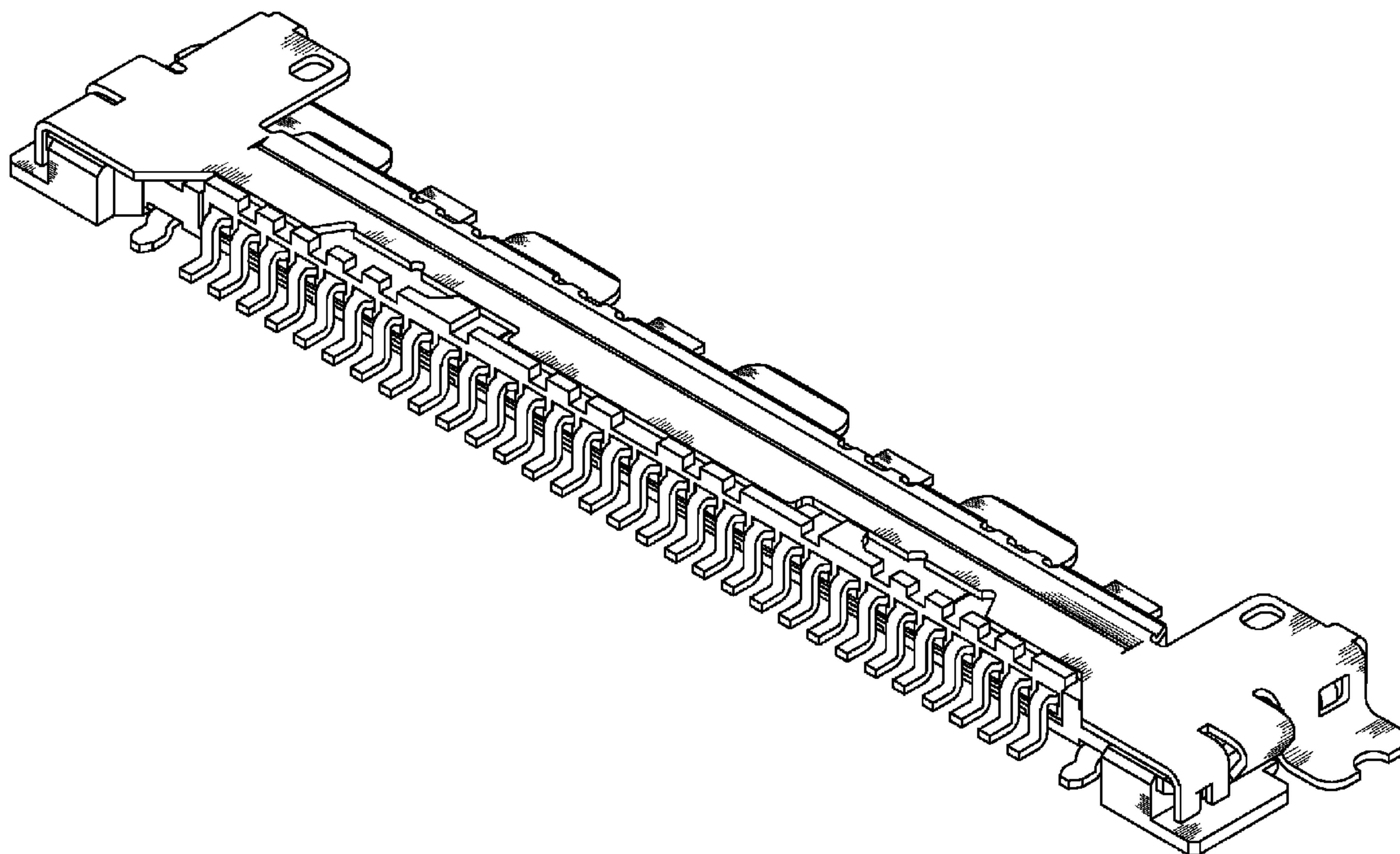
FIG. 7 is a top, front, and left perspective view thereof.

FIG. 8 is a top, rear, and right perspective view thereof.

FIG. 9 is a bottom, front, and left perspective view thereof; and,

FIG. 10 is a bottom, rear, and right perspective view thereof.

1 Claim, 10 Drawing Sheets



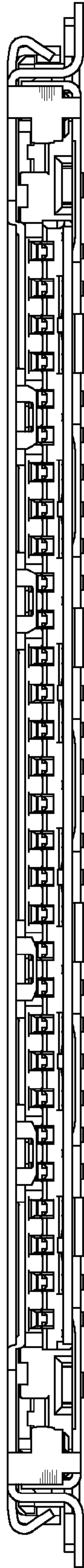


FIG.1

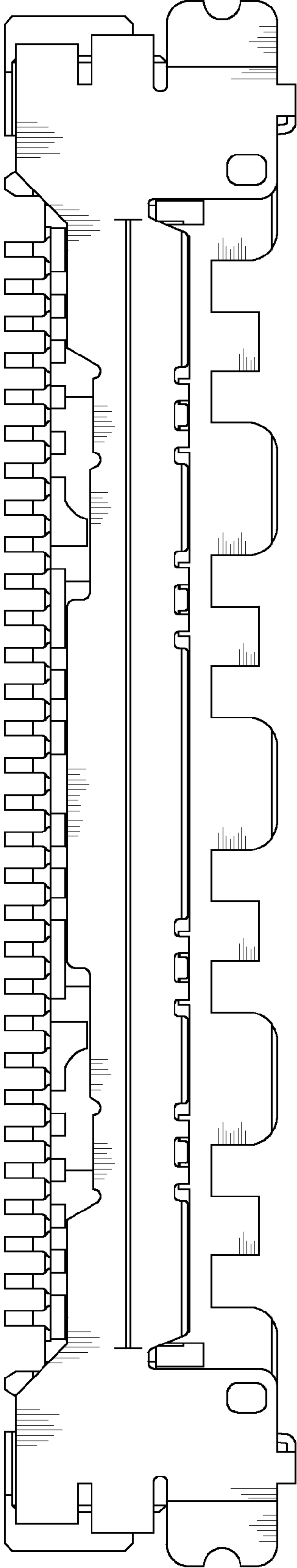


FIG.2

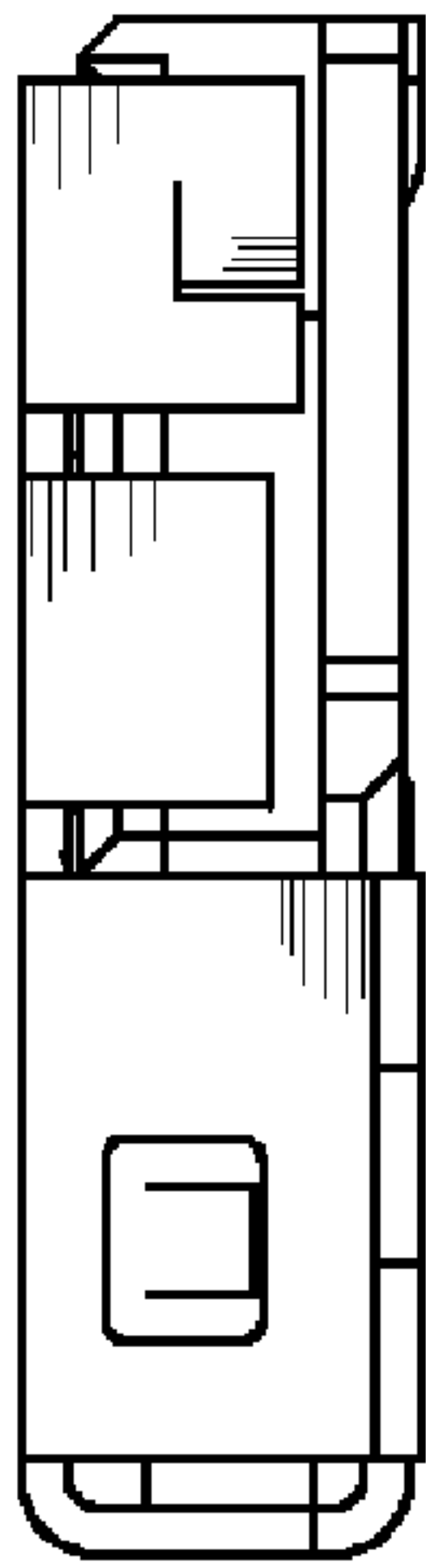


FIG.3

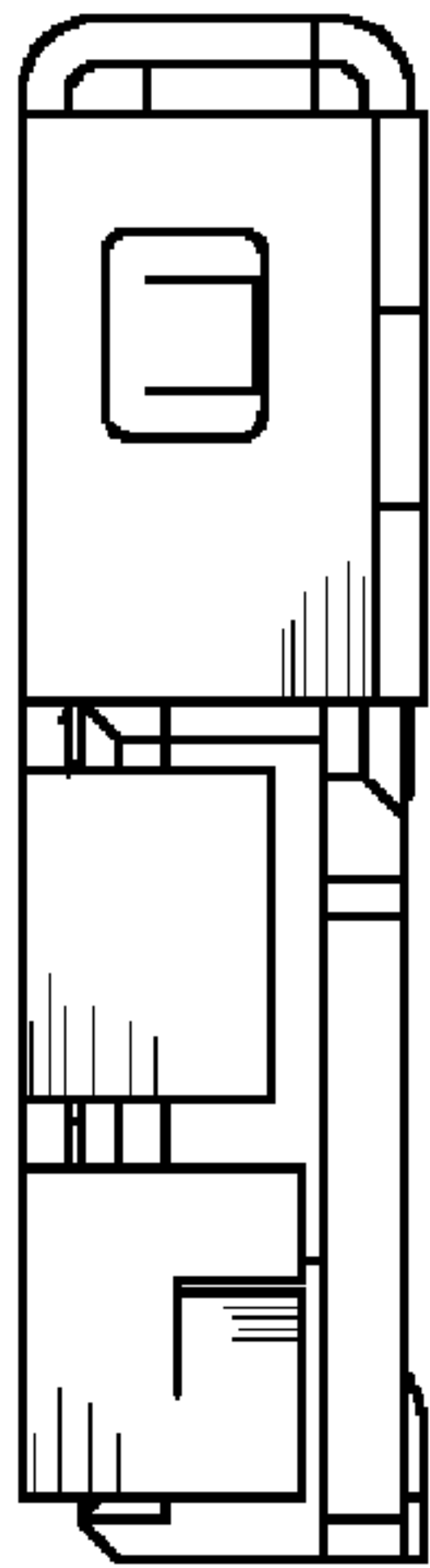


FIG.4

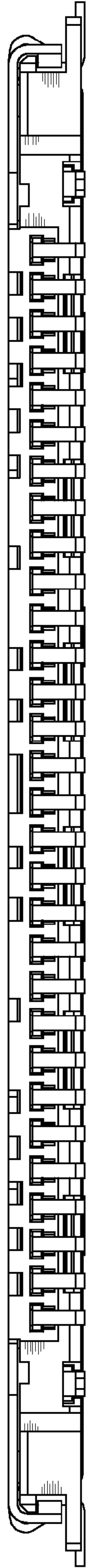


FIG.5

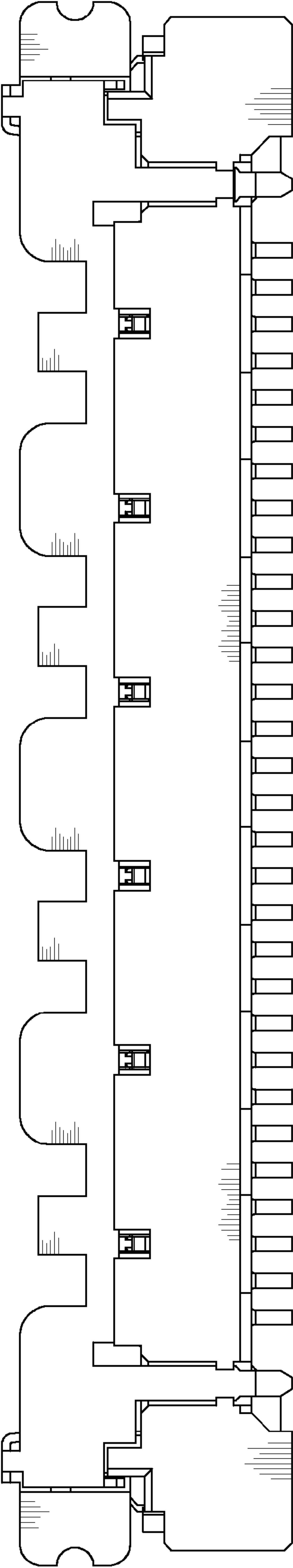


FIG.6

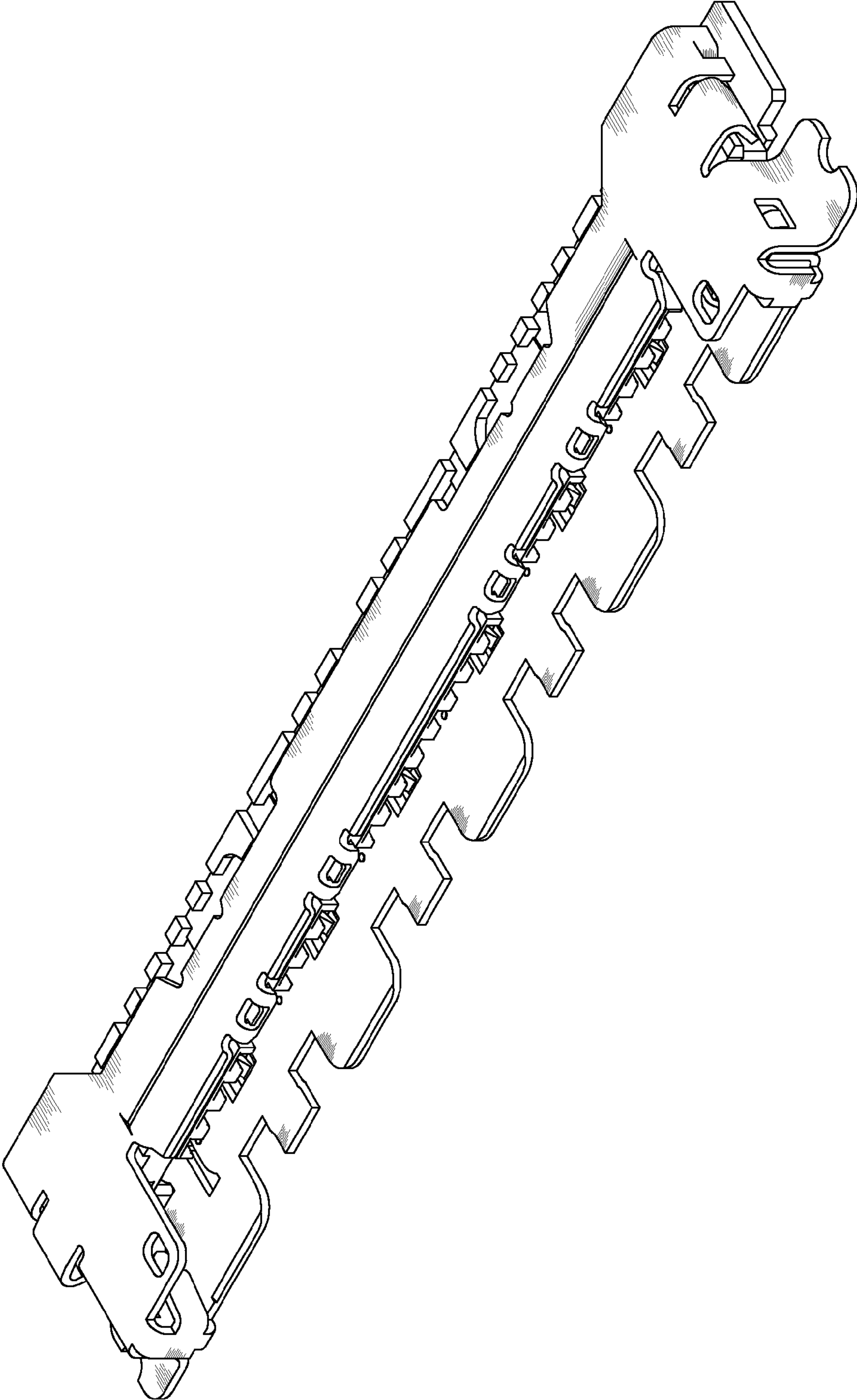


FIG.7

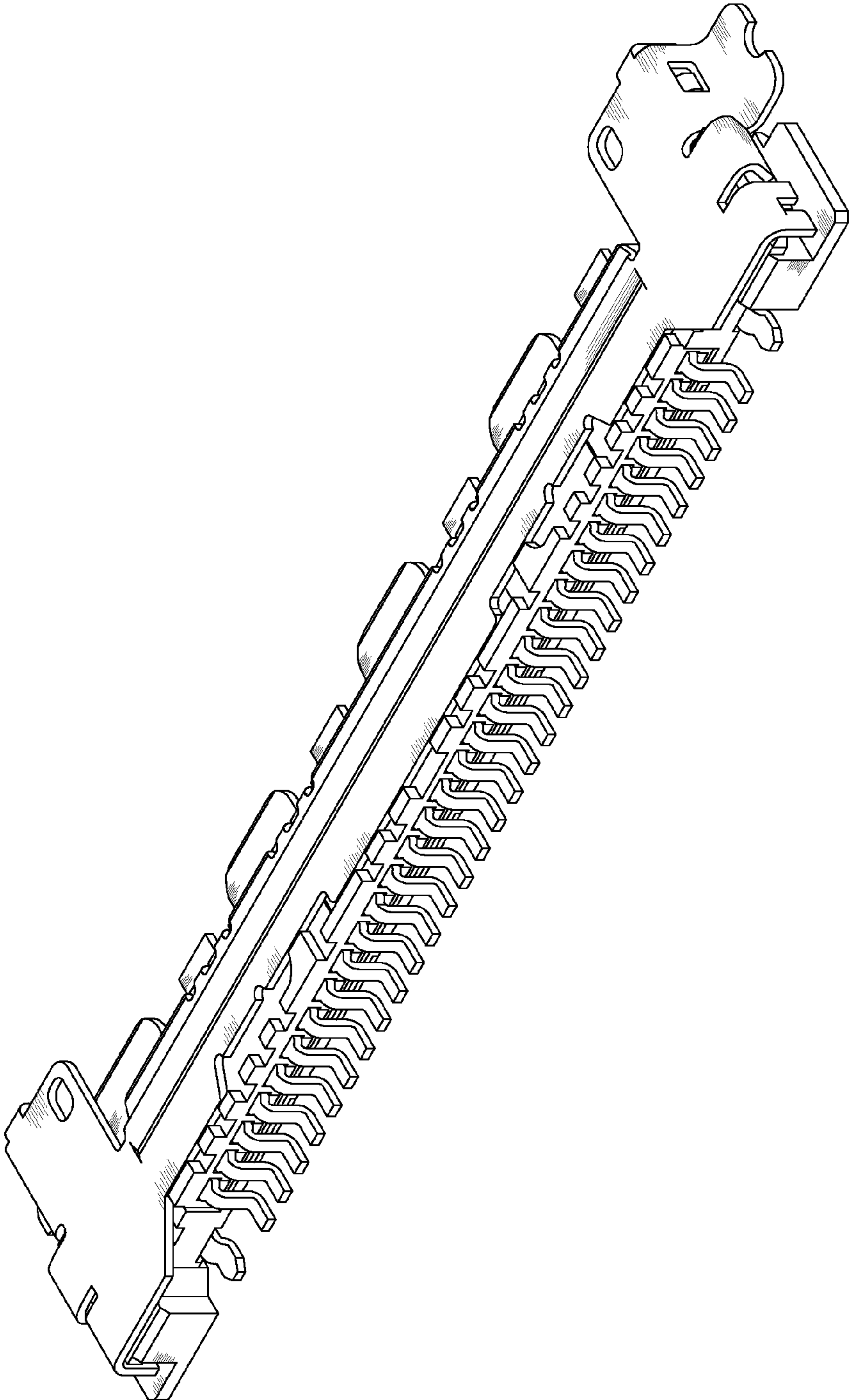


FIG.8

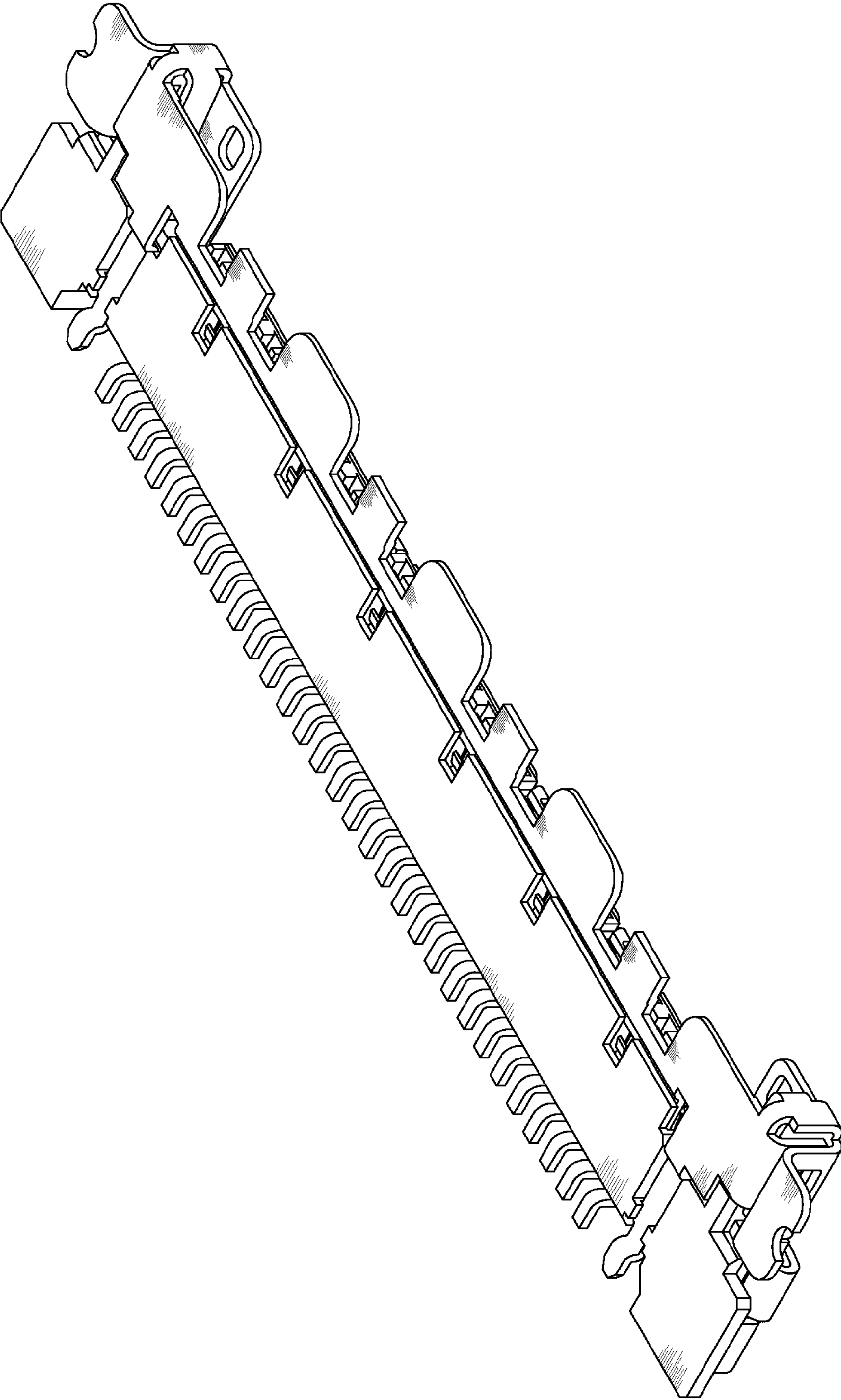


FIG.9

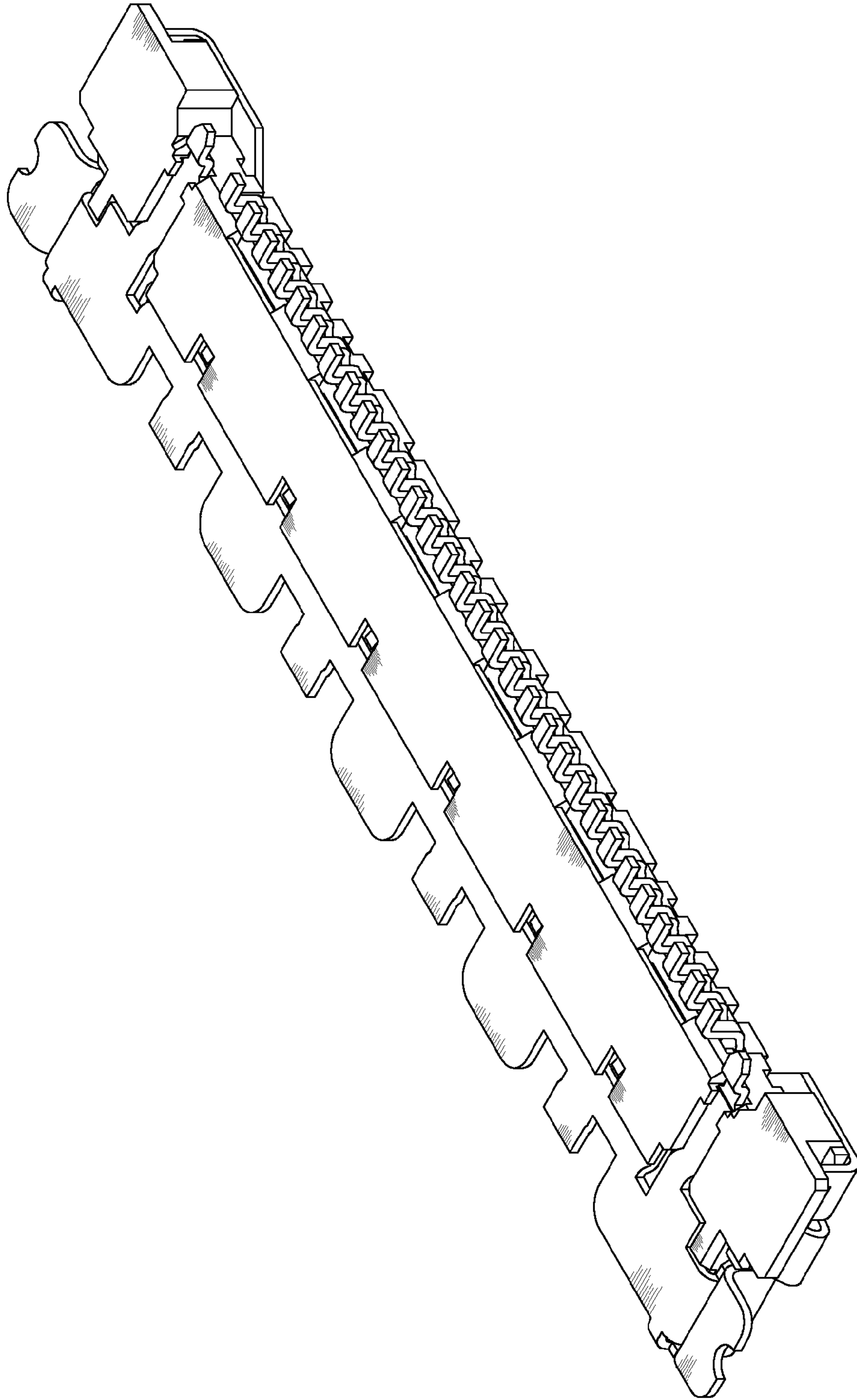


FIG.10