



US00D629358S

(12) **United States Design Patent**  
**Slippy et al.**

(10) **Patent No.:** **US D629,358 S**

(45) **Date of Patent:** **\*\* \*Dec. 21, 2010**

(54) **ELECTRICAL CONNECTOR**

FOREIGN PATENT DOCUMENTS

(75) Inventors: **Gordon Slippy**, Murrysville, PA (US);  
**Donald E. Hines**, Butler, PA (US);  
**Charles Amurgis**, Mars, PA (US); **Jon**  
**J. Danzak**, Pittsburgh, PA (US)

DE 4111049 10/1991

OTHER PUBLICATIONS

Vocollect, Wearable Computers Talkman & 2x Wearable Computer,  
product brochure Sep. 2005 (4 pages).

(73) Assignee: **Vocollect, Inc.**, Pittsburgh, PA (US)

(Continued)

(\*\*) Term: **14 Years**

*Primary Examiner*—Rosemary K Tarcza

(21) Appl. No.: **29/358,324**

(74) *Attorney, Agent, or Firm*—Wood, Herron & Evans, LLP

(22) Filed: **Mar. 25, 2010**

(57) **CLAIM**

The ornamental design for an electrical connector, as shown  
and described.

**Related U.S. Application Data**

**DESCRIPTION**

(62) Division of application No. 29/343,217, filed on Sep.  
9, 2009, now Pat. No. Des. 615,040.

FIG. 1 is a front perspective view of an embodiment of the  
invention;

(51) **LOC (9) Cl.** ..... **13-03**

(52) **U.S. Cl.** ..... **D13/133**

(58) **Field of Classification Search** ..... D13/118–129,  
D13/133, 146–147, 154, 156, 184, 199; 439/350,  
439/352, 353, 358, 433, 447, 483, 582–583,  
439/606–610, 660, 668, 669, 675, 677, 676,  
439/680–682, 687, 694, 750

FIG. 2 is another perspective view of the invention of FIG. 1;  
FIG. 3 is a front elevational view of the invention of FIG. 2;  
FIG. 4 is a cross-sectional view of the invention along lines  
4–4 in FIG. 3;

See application file for complete search history.

FIG. 5 is a right side elevational view of FIG. 2, with the left  
side elevational view being a mirror-image;

(56) **References Cited**

U.S. PATENT DOCUMENTS

4,601,528 A \* 7/1986 Spier ..... 439/148  
D285,439 S 9/1986 Nagele  
D300,921 S \* 5/1989 Tetreault ..... D13/154  
D310,367 S 9/1990 Dockery

FIG. 6 is a rear elevational view of FIG. 2;

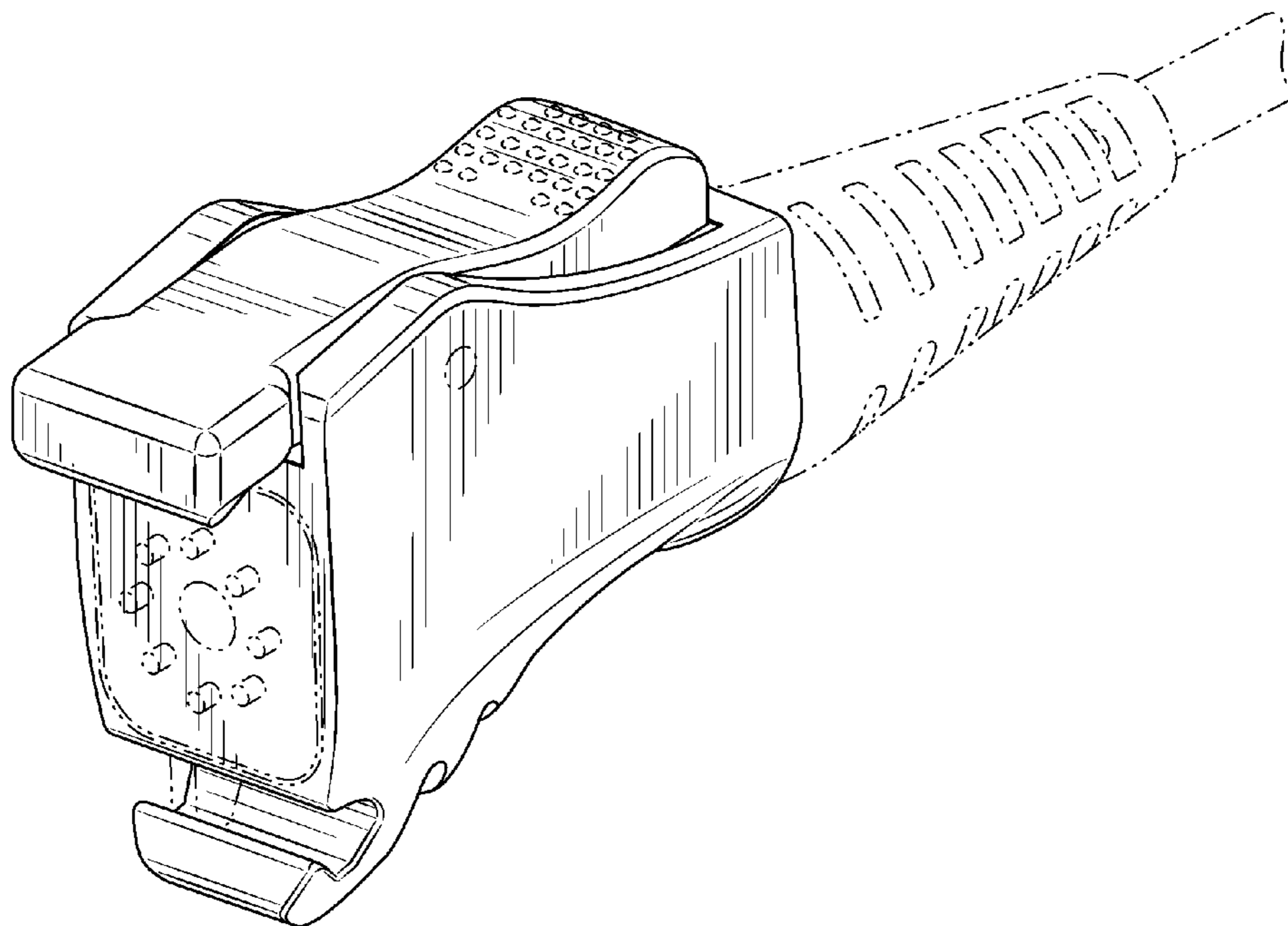
FIG. 7 is a top view of FIG. 2; and,

FIG. 8 is a bottom view of FIG. 2.

The broken lines shown in FIGS. 1 and 4 of the Drawings are  
included for the purpose of illustrating environment structure,  
and form no part of the claimed design.

(Continued)

**1 Claim, 4 Drawing Sheets**



# US D629,358 S

Page 2

## U.S. PATENT DOCUMENTS

D315,719 S *	3/1991	Cusumano et al. ....	D13/154	D491,186 S	6/2004	Arakaki et al.	
D336,417 S	6/1993	Yuen		D503,152 S *	3/2005	Suckle et al. ....	D13/154
D349,099 S *	7/1994	Robertson et al. ....	D13/147	6,910,911 B2	6/2005	Mellott et al.	
D356,543 S *	3/1995	Hoffman .....	D13/133	D507,794 S	7/2005	Wang et al.	
D357,898 S *	5/1995	Richards et al. ....	D13/133	D514,524 S *	2/2006	Suckle .....	D13/156
D368,260 S	3/1996	Oschmann		D524,731 S	7/2006	Navarrez et al.	
D388,053 S *	12/1997	Robertson et al. ....	D13/133	D525,581 S	7/2006	Rad	
D391,937 S	3/1998	Rosen		D527,712 S	9/2006	Indio da Costa	
D411,171 S	6/1999	Tai Muan		D543,148 S	5/2007	Suckle et al.	
D415,111 S *	10/1999	Lee .....	D13/154	D550,158 S *	9/2007	Victor .....	D13/146
D420,325 S	2/2000	Sloey		D551,628 S *	9/2007	Meier et al. ....	D13/154
D426,190 S	6/2000	Higgins		D554,642 S	11/2007	Suwalski et al.	
D438,169 S	2/2001	Minagawa et al.		D562,761 S	2/2008	Ueda et al.	
D455,431 S	4/2002	Freitag et al.		D564,966 S *	3/2008	Shifris .....	D13/147
D460,761 S	7/2002	Croley		D569,848 S	5/2008	Suzuki	
D463,359 S	9/2002	Nawrozki		D571,289 S	6/2008	Michaeli	
D465,223 S	11/2002	Milan		D572,230 S	7/2008	Neu et al.	
6,476,318 B1 *	11/2002	Lee .....	174/59	7,442,060 B2	10/2008	Suwalski et al.	
D469,761 S	2/2003	Nussberger		D585,896 S *	2/2009	Wahl et al.	
D473,515 S	4/2003	Salazar et al.		D615,040 S	5/2010	Slippy et al.	
D474,736 S	5/2003	Sagawa		2005/0095899 A1	5/2005	Mellott et al.	
D476,359 S	6/2003	Mittler					
D477,604 S	7/2003	Lin					
D480,074 S	9/2003	Tuhkanen					
D481,674 S	11/2003	Sade et al.					
D487,470 S	3/2004	Cobigo					

## OTHER PUBLICATIONS

Photographs of Vocollect Talkman T2x Wearable Computer (circa 2002)(2 pages).

\* cited by examiner

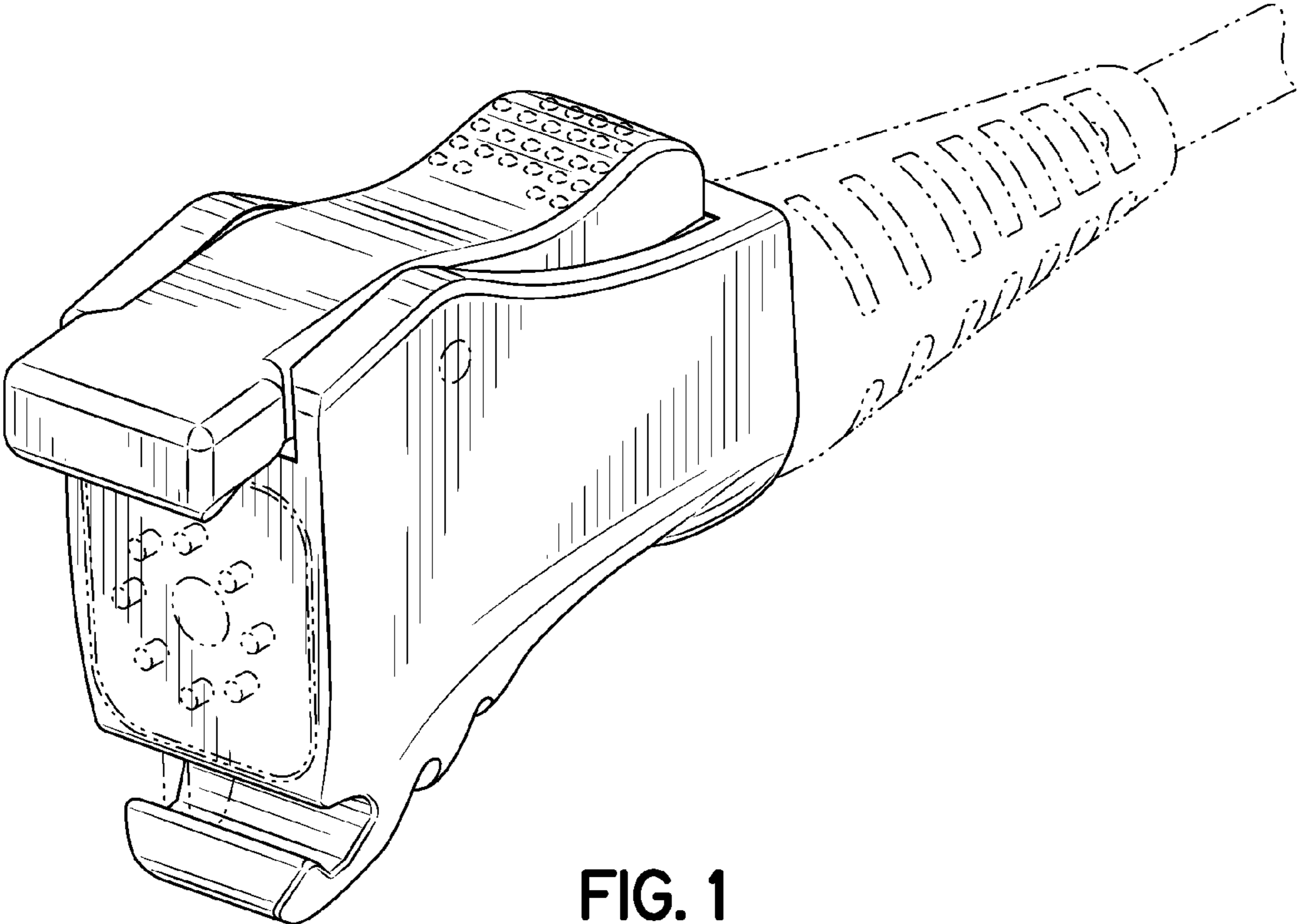


FIG. 1

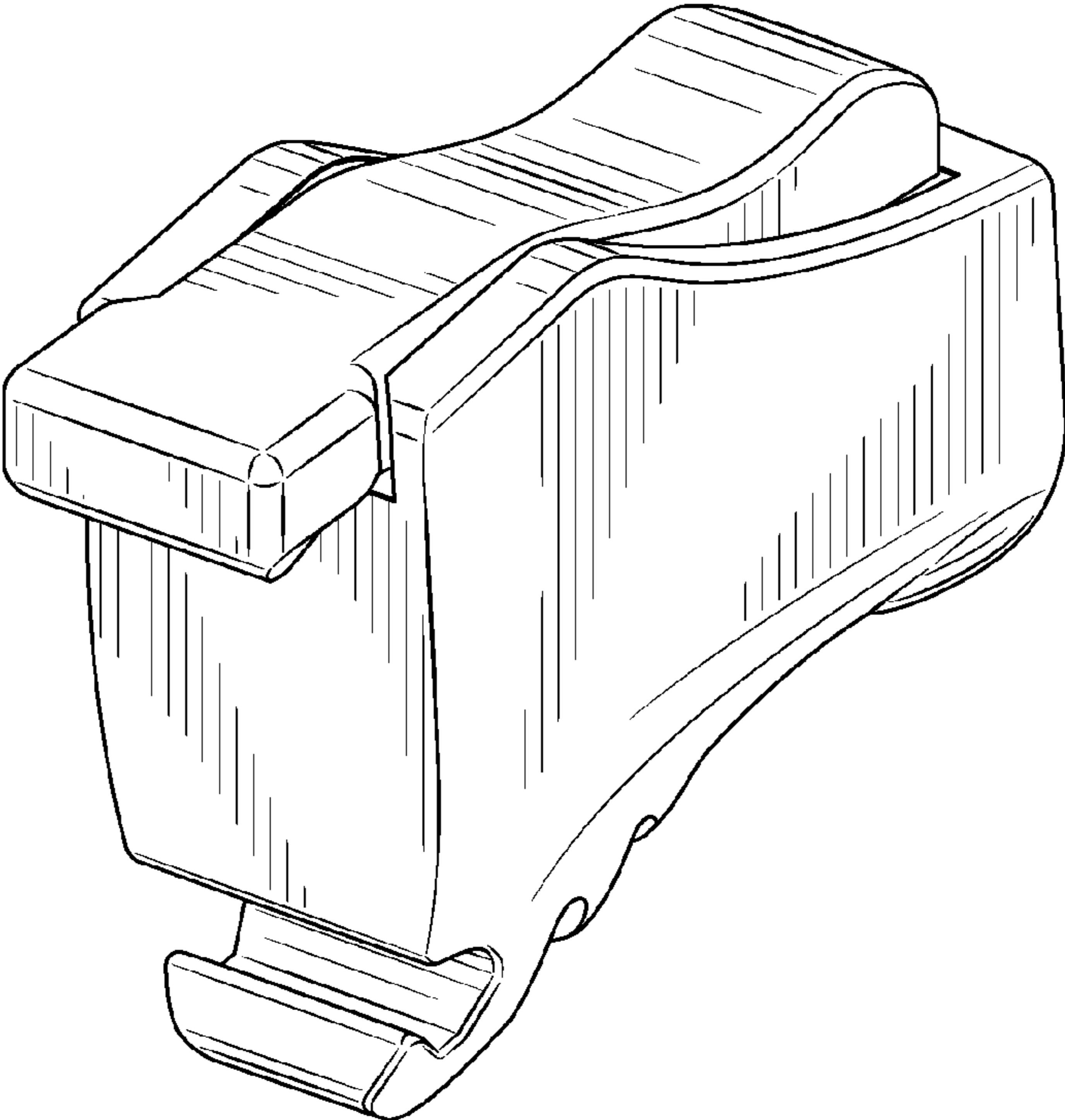


FIG. 2

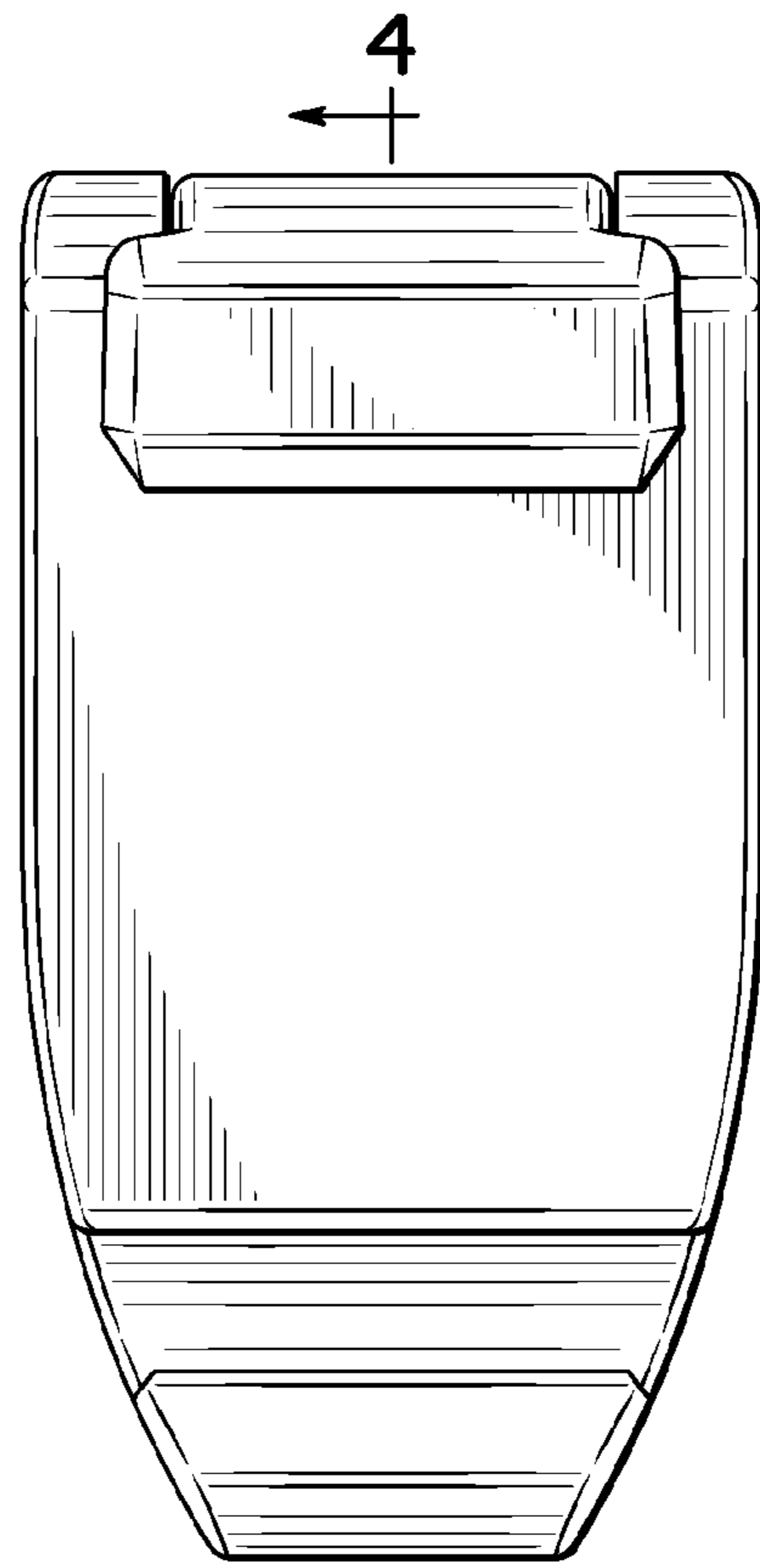


FIG. 3

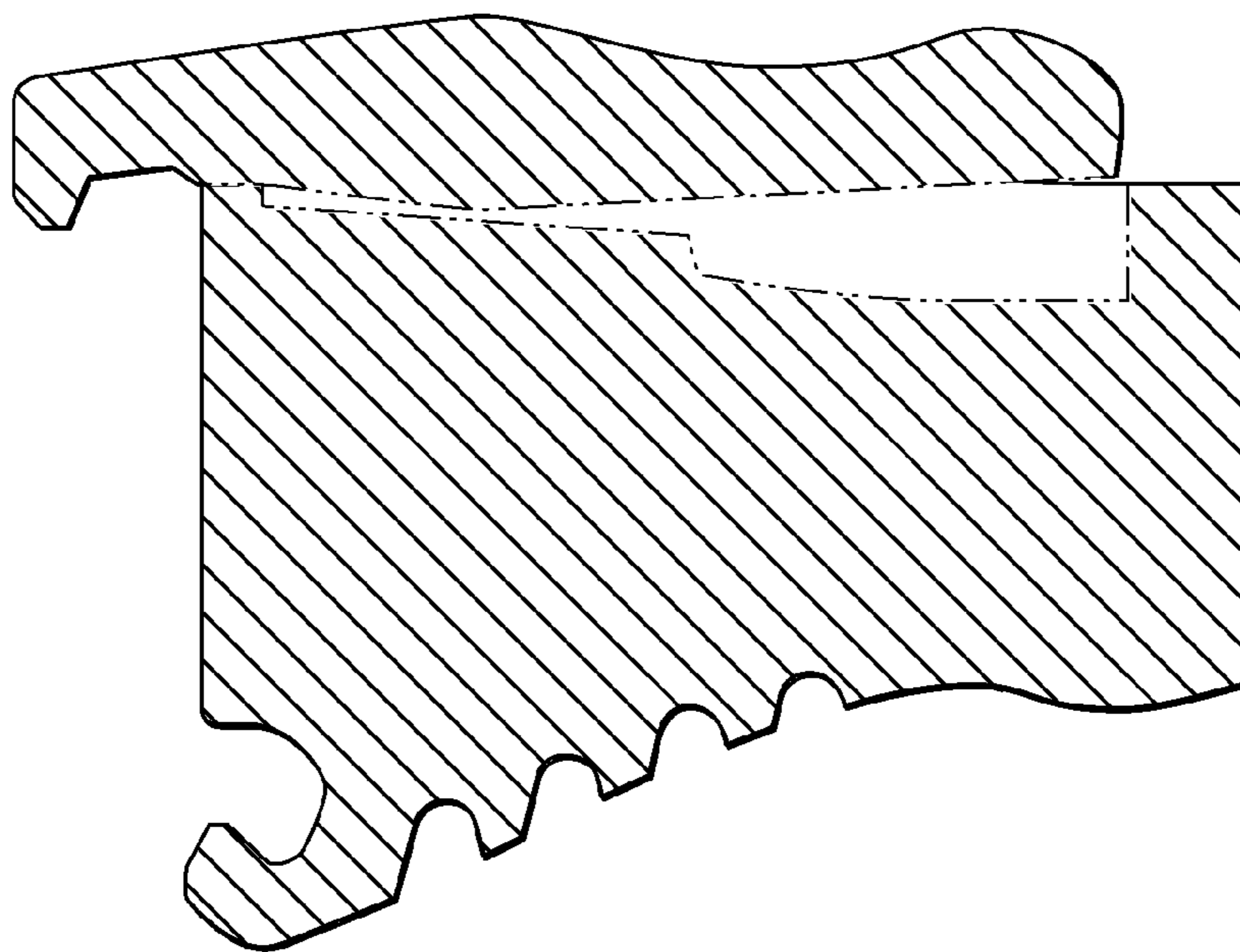


FIG. 4

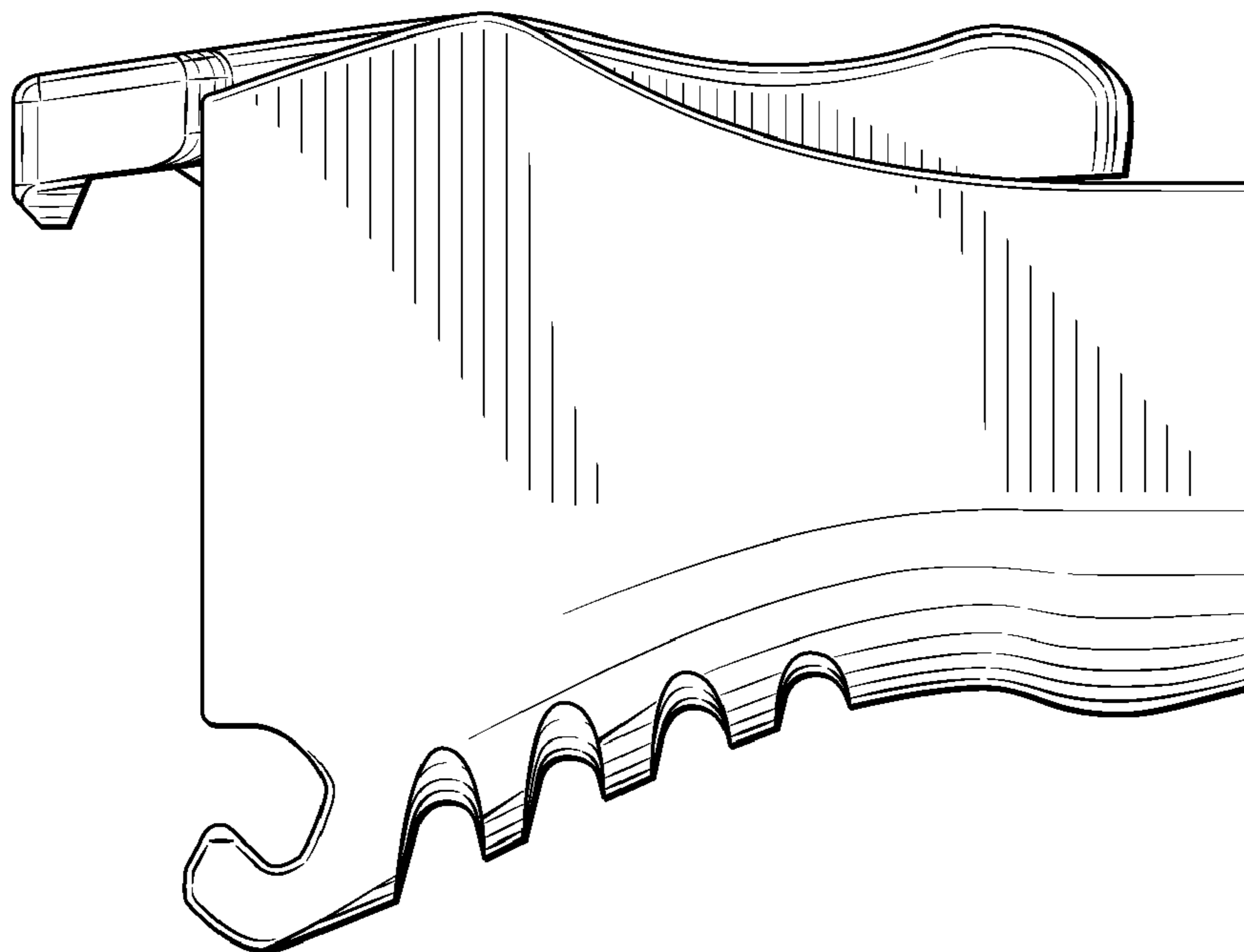


FIG. 5

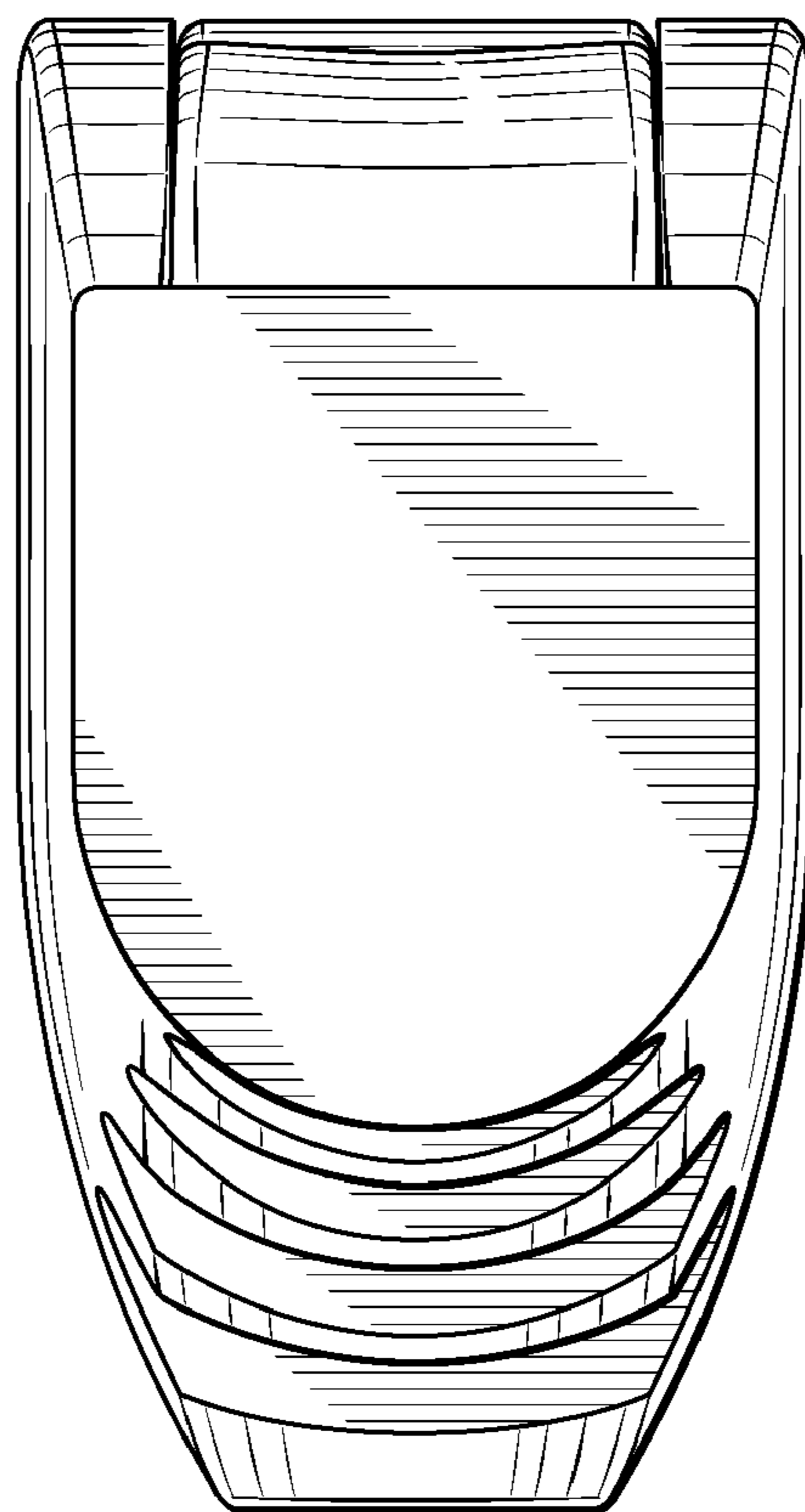


FIG. 6

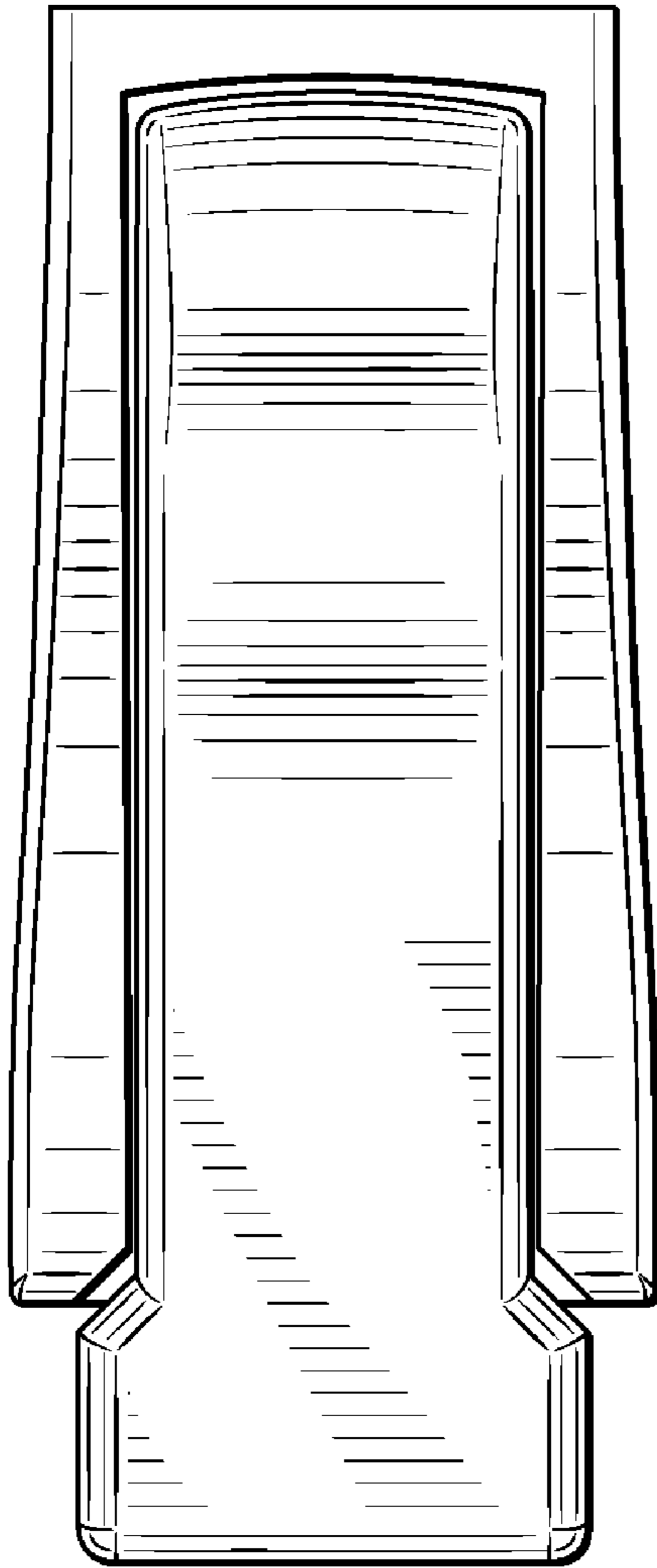


FIG. 7

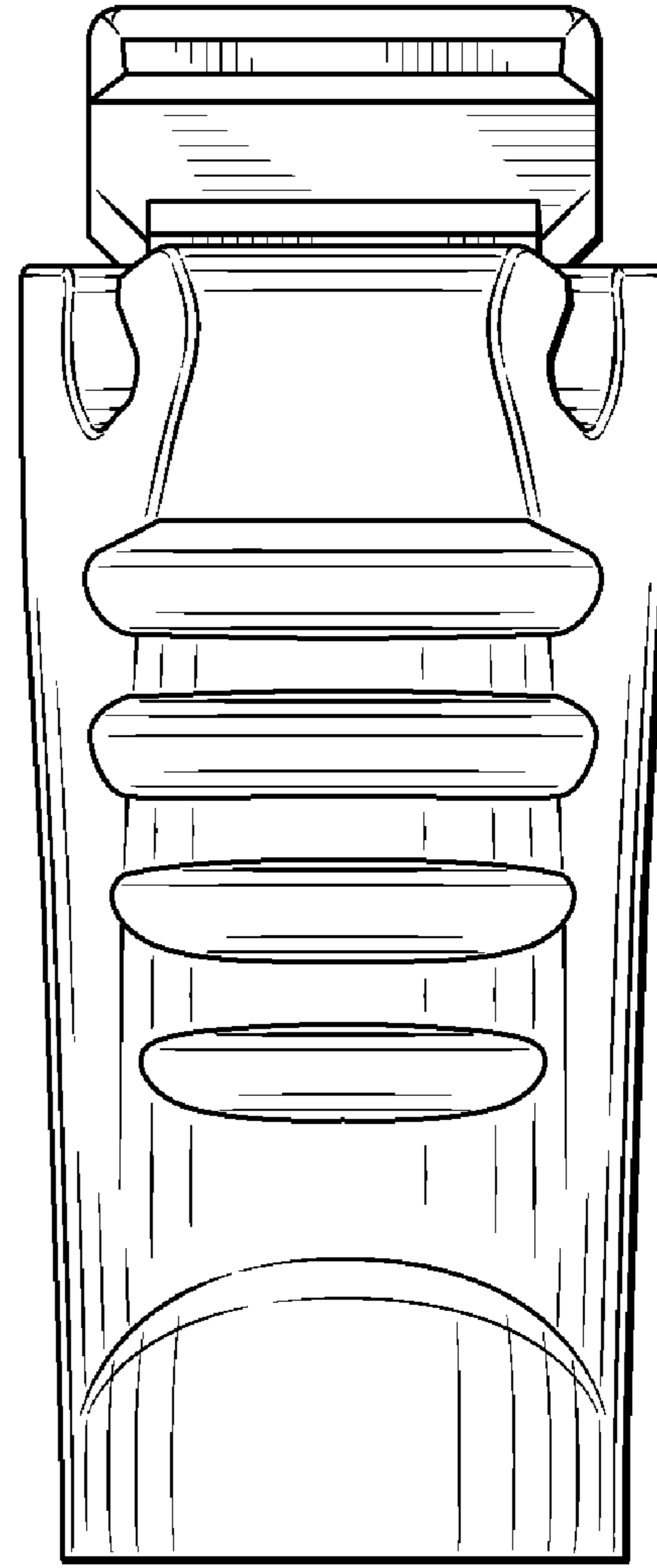


FIG. 8