



US00D629357S

(12) **United States Design Patent**
Rousseau

(10) **Patent No.:** **US D629,357 S**

(45) **Date of Patent:** **** Dec. 21, 2010**

(54) **GENERATOR**

D513,070 S * 12/2005 Haranaka D23/355

(76) Inventor: **John Rousseau**, P.O. Box 1141,
Lexington, TN (US) 38351

* cited by examiner

(**) Term: **14 Years**

Primary Examiner—Prabhakar Deshmukh

Assistant Examiner—Derrick Holland

(21) Appl. No.: **29/360,025**

(74) *Attorney, Agent, or Firm*—QuickPatents, Inc.; Kevin Prince

(22) Filed: **Apr. 19, 2010**

(57) **CLAIM**

(51) **LOC (9) Cl.** **13-01**

What is claimed is the ornamental design for a generator, as shown and described.

(52) **U.S. Cl.** **D13/122**

(58) **Field of Classification Search** D13/122,
D13/101, 112, 113, 114, 116, 117, 199; D23/330,
D23/386; 165/128, 129, 133, 166, 167; 290/1 A,
290/2, 4 R, 4 D; 361/696, 697, 698, 701,
361/702

DESCRIPTION

See application file for complete search history.

FIG. 1 is a perspective view of a generator, showing the new design;

FIG. 2 is a front elevational view thereof;

FIG. 3 is a rear elevational view thereof;

FIG. 4 is a left-side elevational view thereof;

FIG. 5 is a right-side elevational view thereof;

FIG. 6 is a top plan view thereof; and,

FIG. 7 is a bottom plan view thereof.

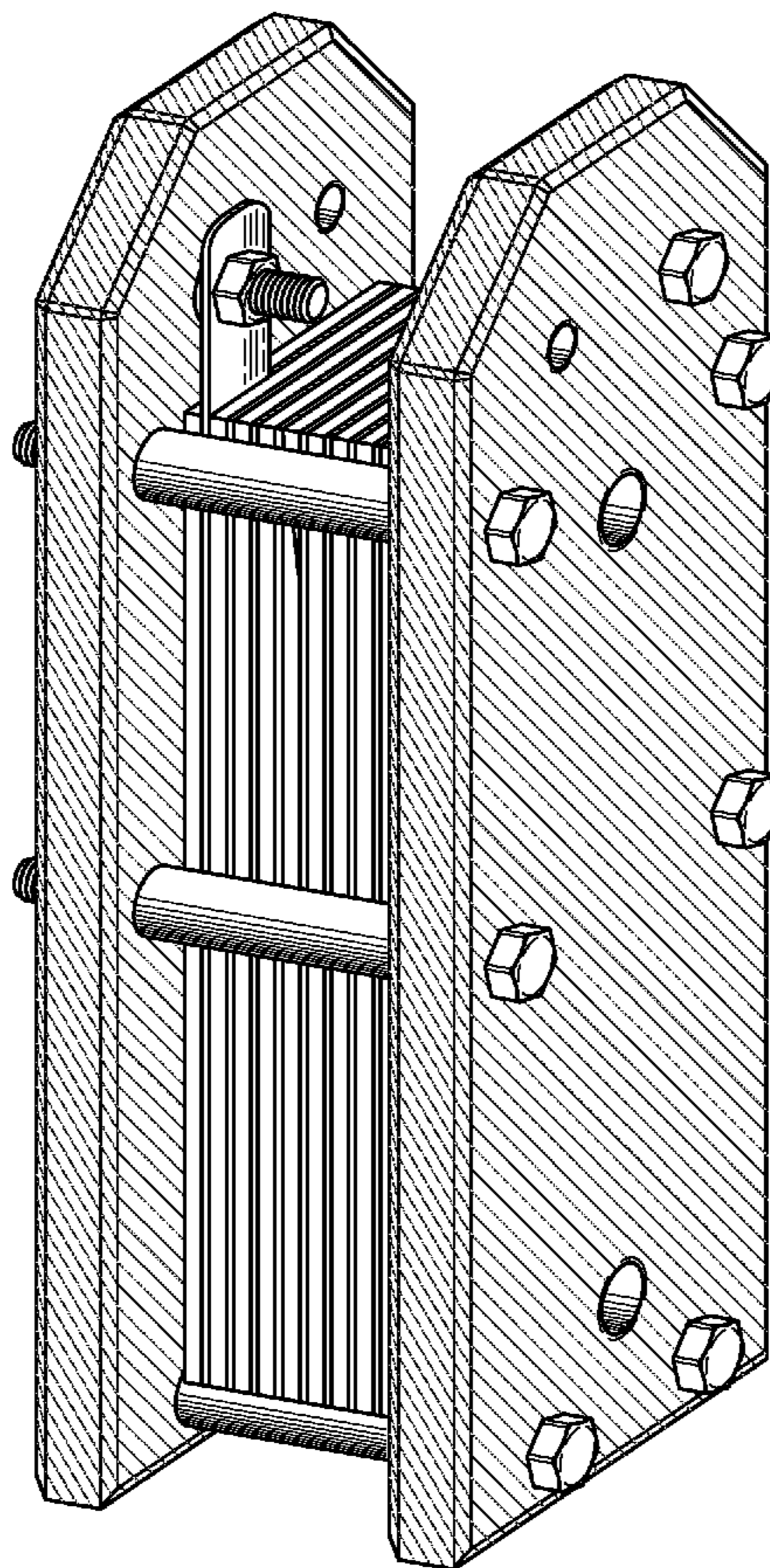
The diagonal shading in the figures represents elements that are green in color.

(56) **References Cited**

U.S. PATENT DOCUMENTS

D129,863 S *	10/1941	Vogel	D13/114
D130,620 S *	12/1941	Vogel	D13/114
D300,771 S *	4/1989	Holmberg	D23/314
5,146,980 A *	9/1992	Le Gauyer	165/167
D360,258 S *	7/1995	Shellenberger	D23/386
D414,461 S *	9/1999	Wang	D13/116
D490,374 S *	5/2004	Amakawa et al.	D13/112

1 Claim, 3 Drawing Sheets



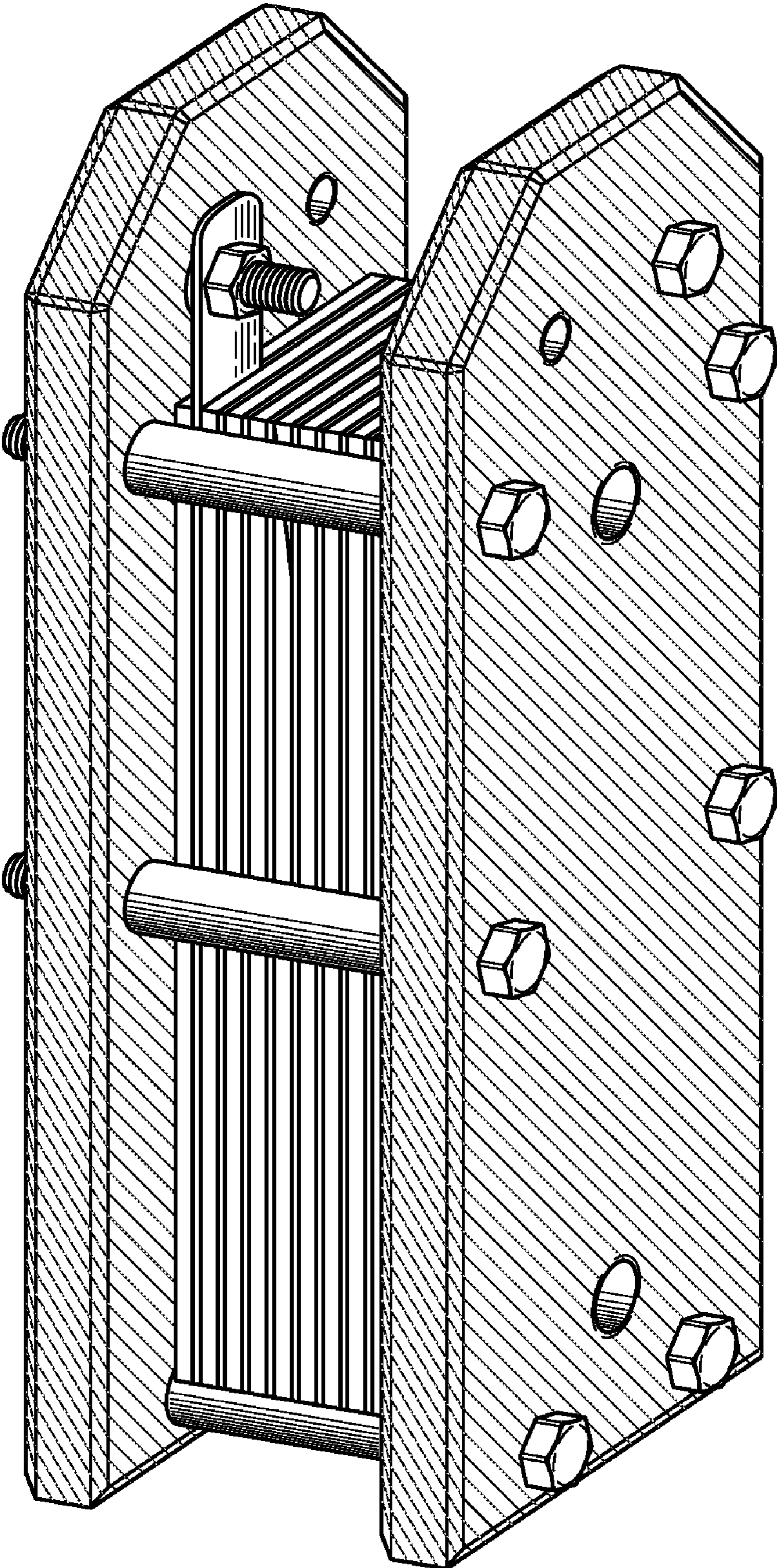


FIG. 1

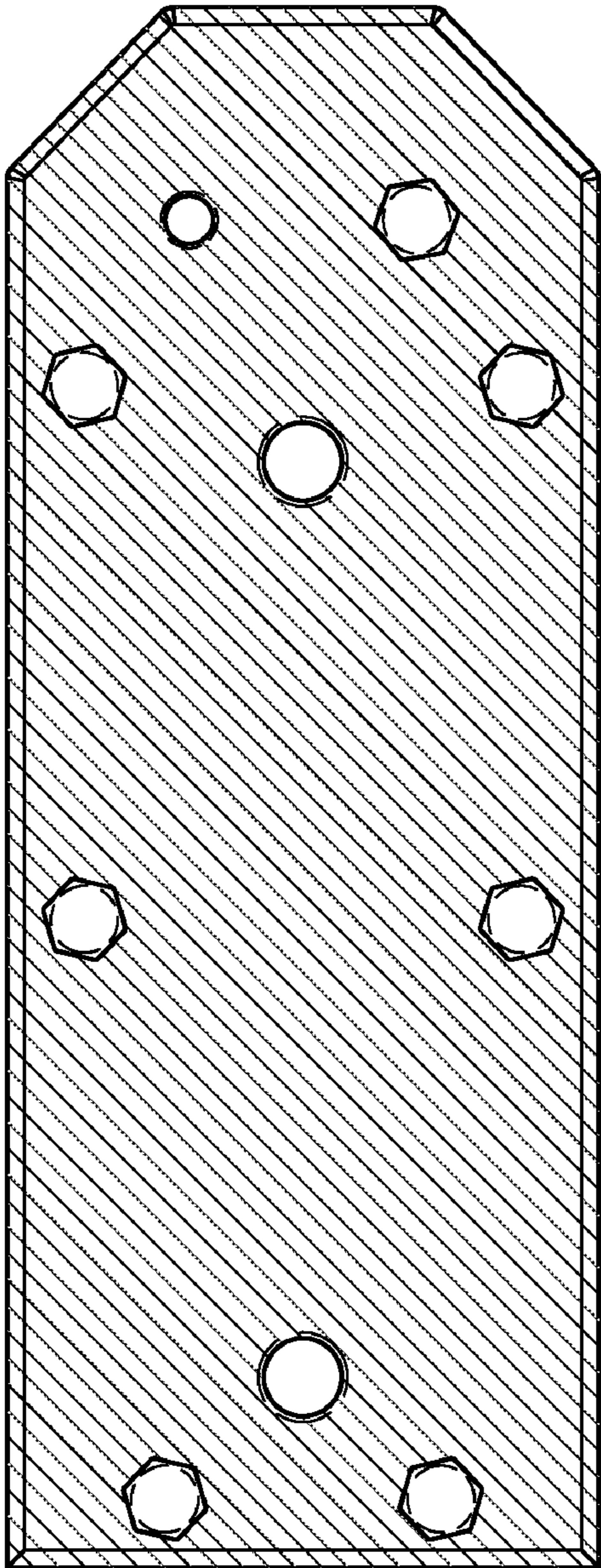


FIG. 2

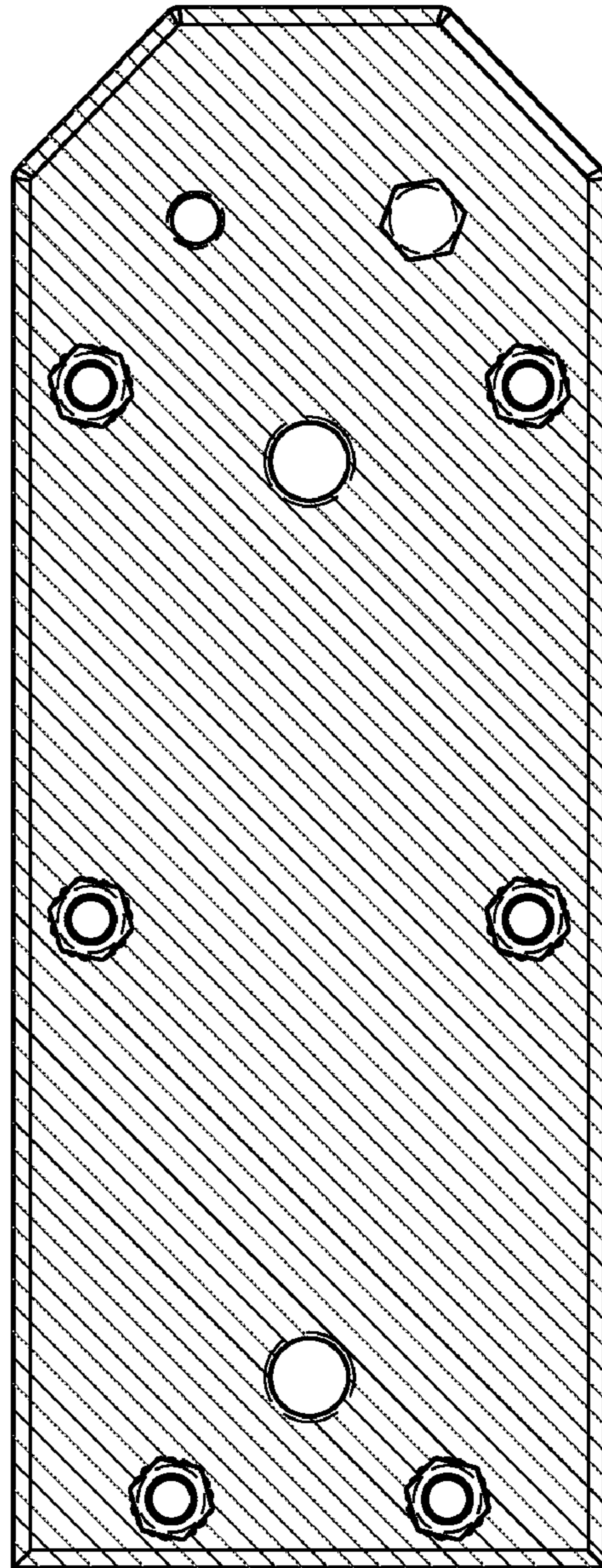


FIG. 3

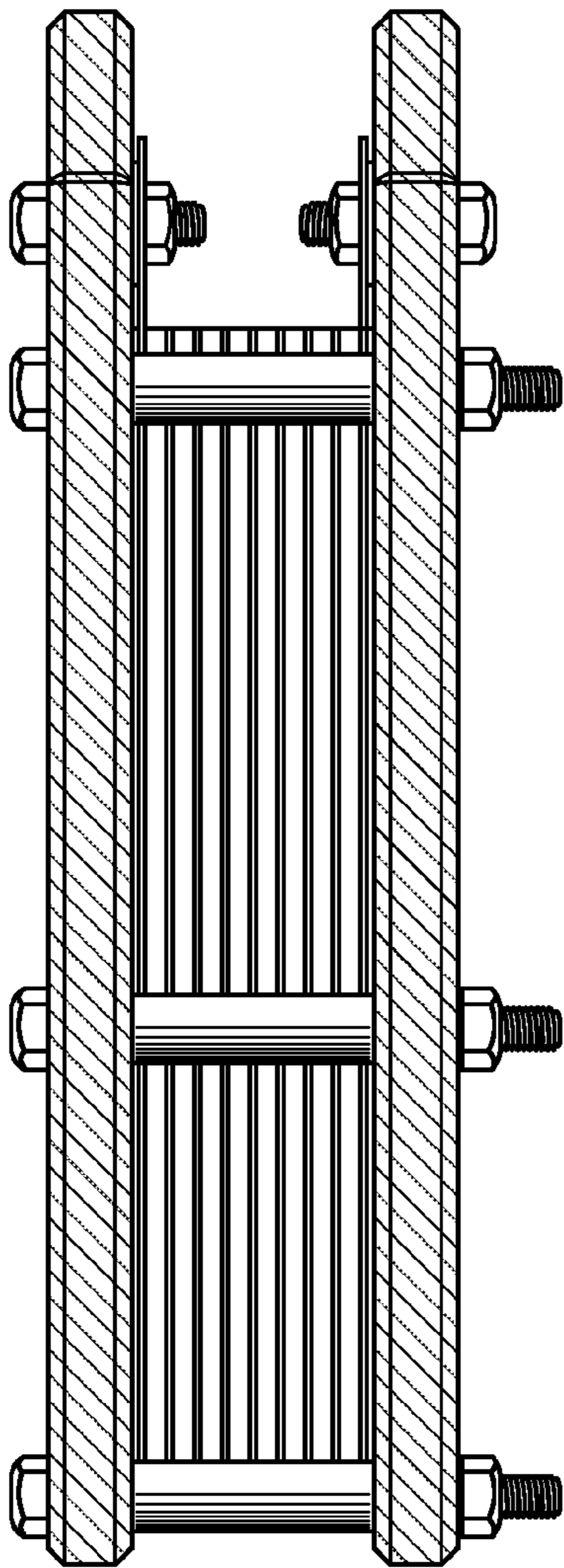


FIG. 4

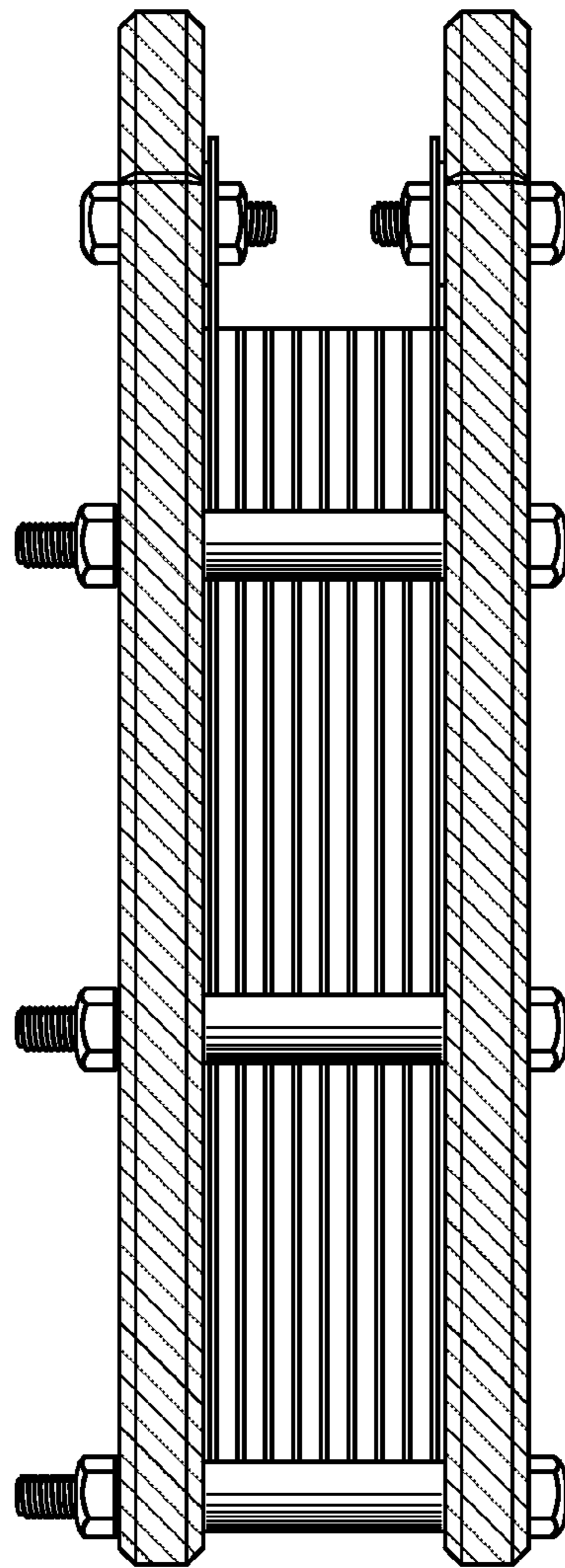


FIG. 5

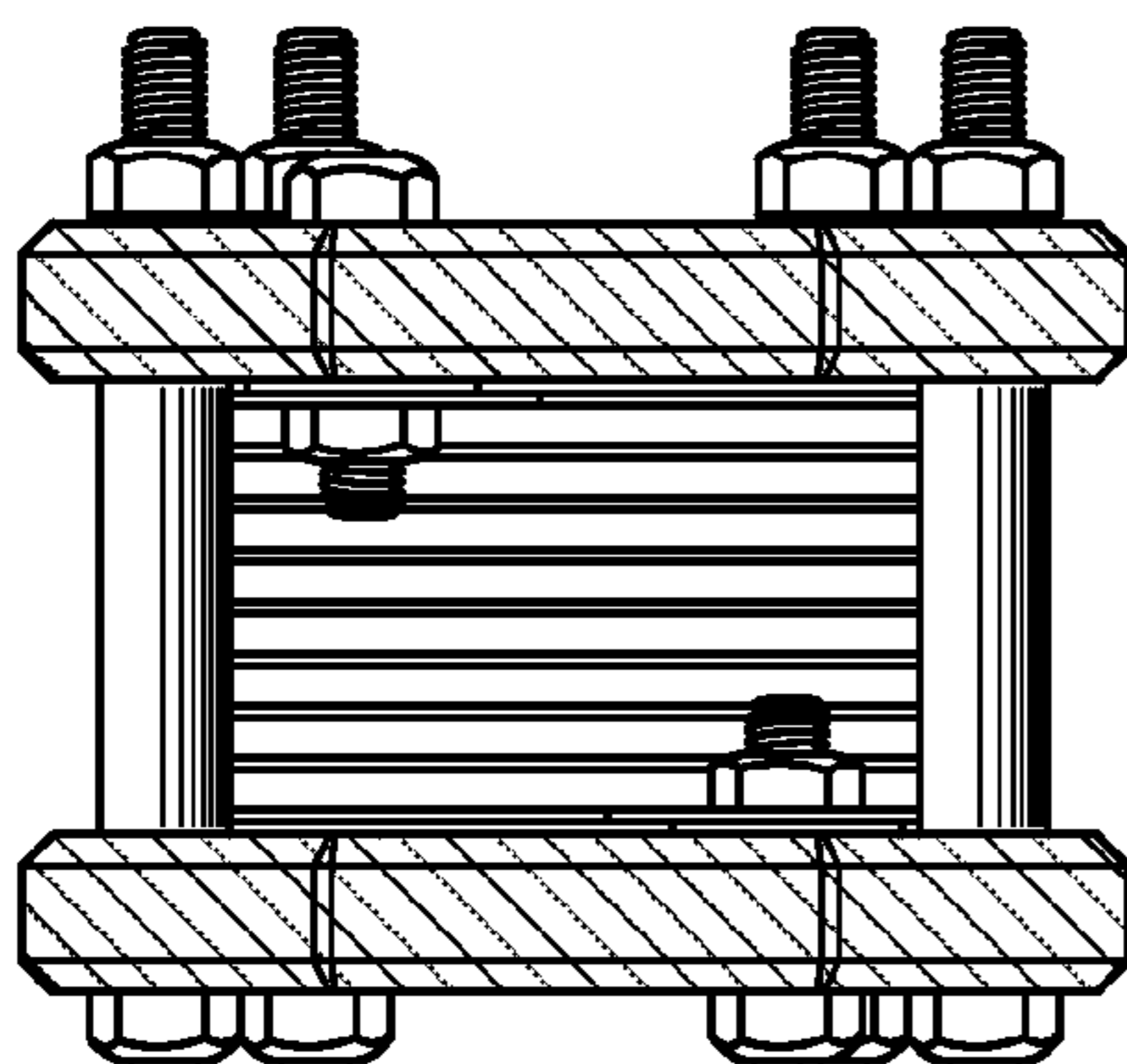


FIG. 6

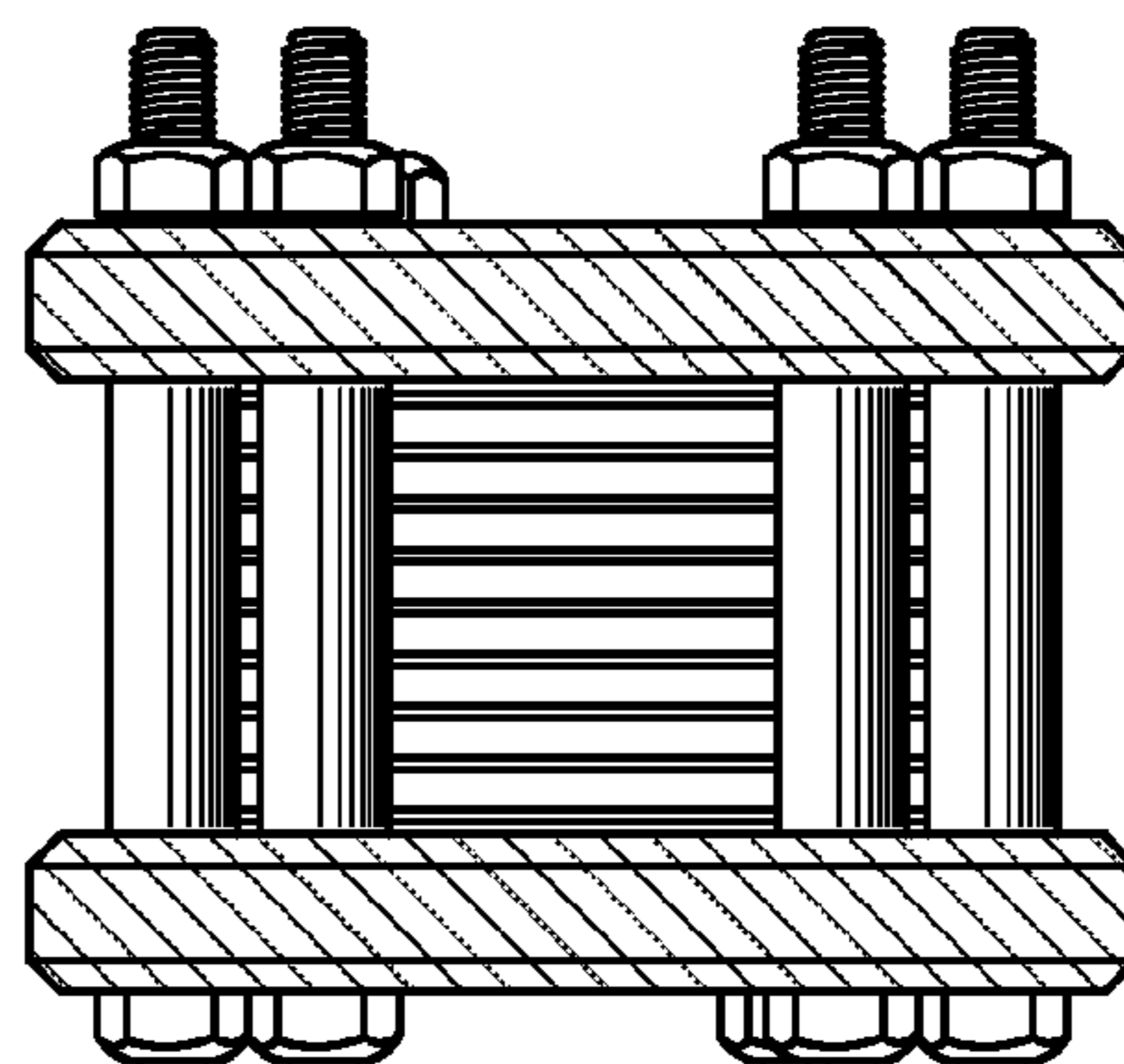


FIG. 7