



US00D629355S

(12) **United States Design Patent**
Bodley et al.

(10) **Patent No.:** **US D629,355 S**

(45) **Date of Patent:** **** Dec. 21, 2010**

(54) **CHARGER BASE FOR USE WITH A MULTI-USER AUDIO SYSTEM**

(75) Inventors: **Martin Reed Bodley**, Sudbury, MA (US); **Jean-Pierre Carney**, Sudbury, MA (US); **Stephen Lyman**, Hudson, NH (US)

(73) Assignee: **Revolabs, Inc.**, Maynard, MA (US)

(**) Term: **14 Years**

(21) Appl. No.: **29/332,088**

(22) Filed: **Feb. 9, 2009**

(51) **LOC (9) Cl.** **13-03**

(52) **U.S. Cl.** **D13/108**

(58) **Field of Classification Search** D13/102–103, D13/107–110, 118–119, 133, 144, 184; D14/251, D14/253, 432, 434; 320/107–115

See application file for complete search history.

(56) **References Cited**

U.S. PATENT DOCUMENTS

3,696,283	A *	10/1972	Ackley, III	320/110
5,039,929	A *	8/1991	Veistroffer et al.	320/107
D352,927	S *	11/1994	Williams	D13/107
6,018,227	A *	1/2000	Kumar et al.	320/106
6,891,351	B2 *	5/2005	Chen	320/115
D510,562	S *	10/2005	Lodato et al.	D13/108
D519,921	S *	5/2006	Claxton et al.	D13/108
D520,447	S *	5/2006	Liu	D13/108
D530,667	S *	10/2006	Viduya et al.	D13/107
D532,365	S *	11/2006	Shen	D13/107
D591,674	S *	5/2009	McConnell	D13/107
2004/0080298	A1 *	4/2004	Maggert et al.	320/107
2007/0090788	A1 *	4/2007	Hansford et al.	320/107

* cited by examiner

Primary Examiner—Rosemary K Tarca

(74) *Attorney, Agent, or Firm*—Nutter McClennen & Fish LLP

(57) **CLAIM**

The ornamental design for a charger base for use with a multi-user audio system, as shown.

DESCRIPTION

FIG. 1 is a top perspective view of a charger base for use with a multi-user audio system;

FIG. 2 is a top view of a charger base for use with a multi-user audio system;

FIG. 3 is a front view of a charger base for use with a multi-user audio system;

FIG. 4 is a back perspective view of a charger base for use with a multi-user audio system;

FIG. 5 is a back view of a charger base for use with a multi-user audio system;

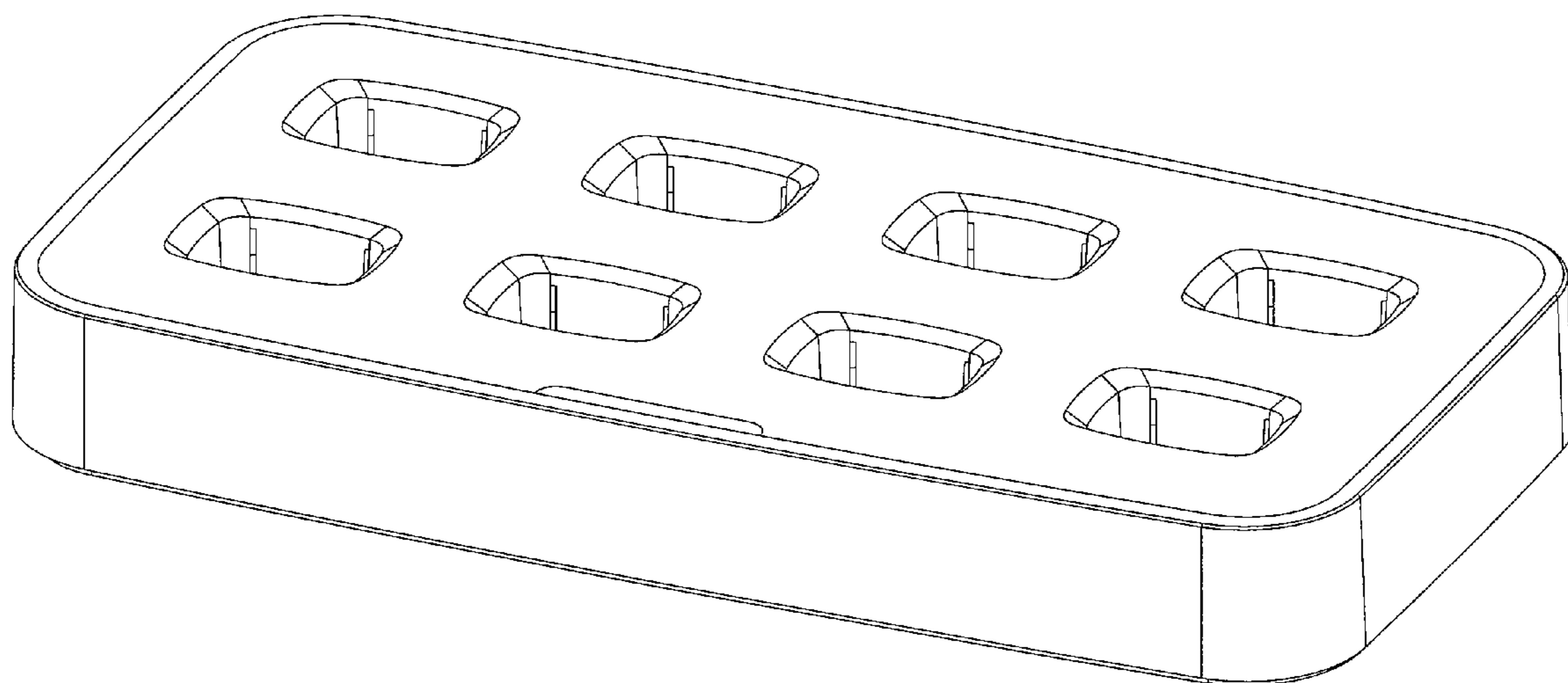
FIG. 6 is a bottom perspective view of a charger base for use with a multi-user audio system;

FIG. 7 is a bottom view of a charger base for use with a multi-user audio system; and,

FIG. 8 is a side view of a charger base for use with a multi-user audio system.

The broken lines shown in the drawings are included for the purpose of illustrating unclaimed portions of the charger base for use with a multi-user audio system, and form no part of the claimed design.

1 Claim, 8 Drawing Sheets



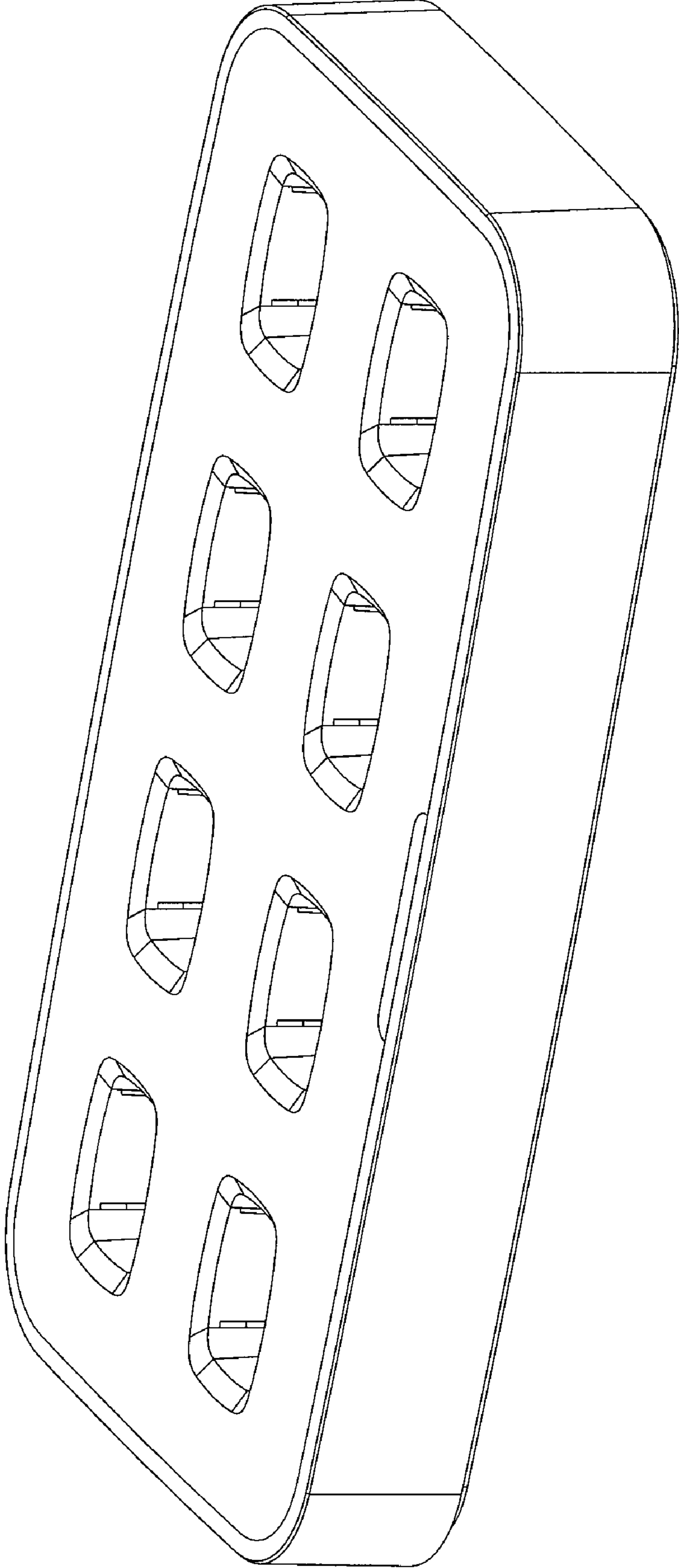


FIG. 1

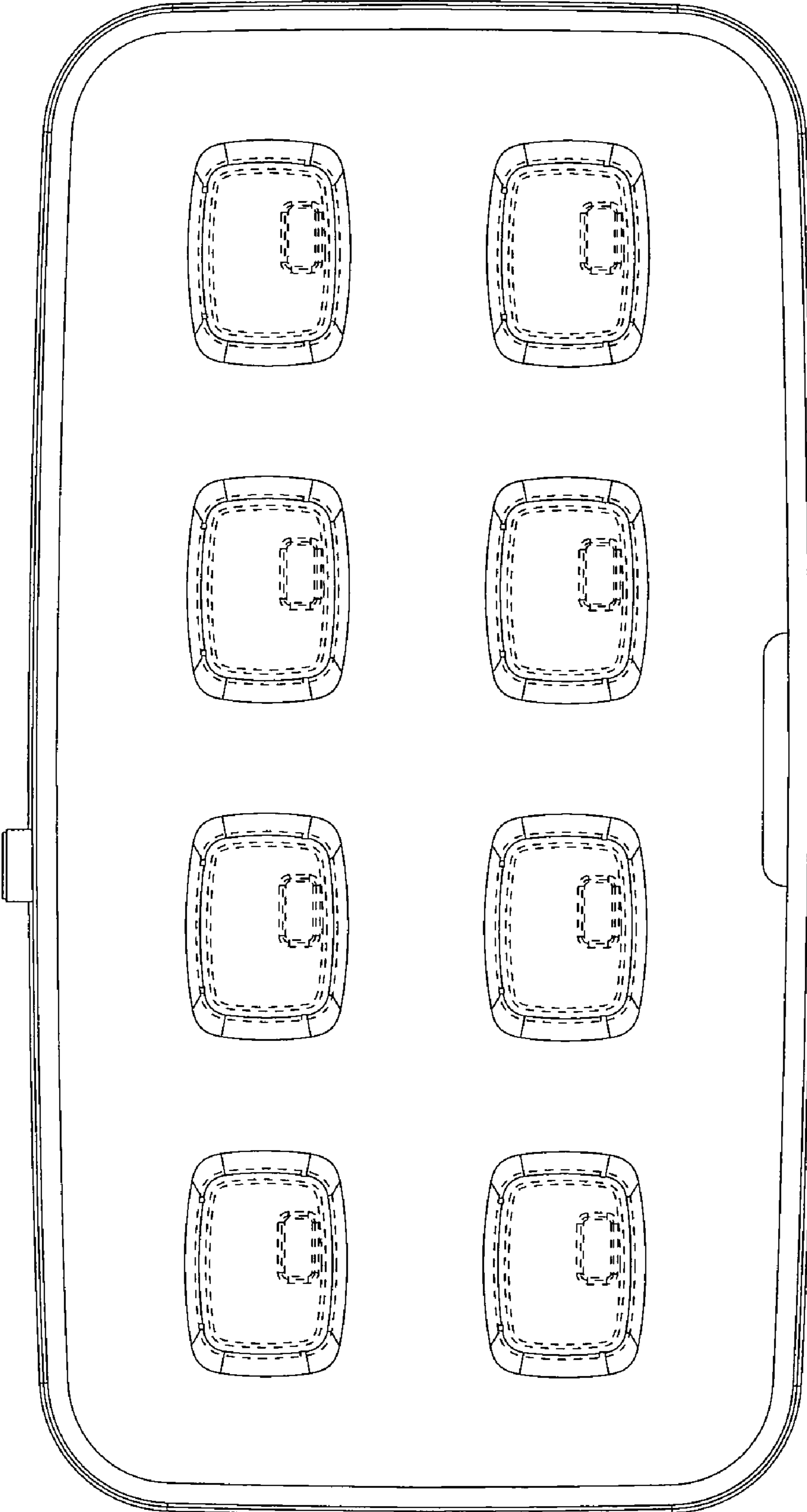


FIG. 2

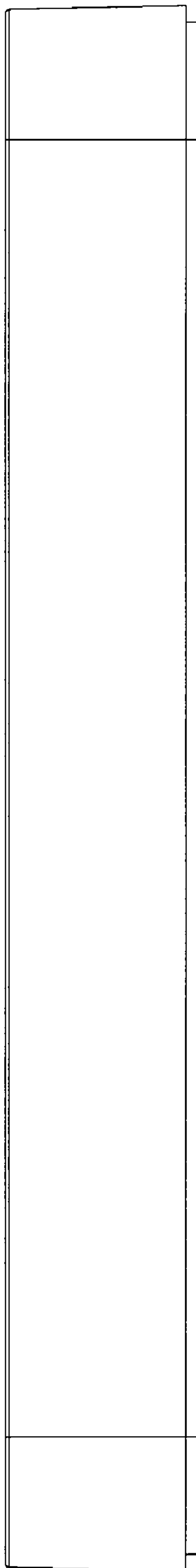


FIG. 3

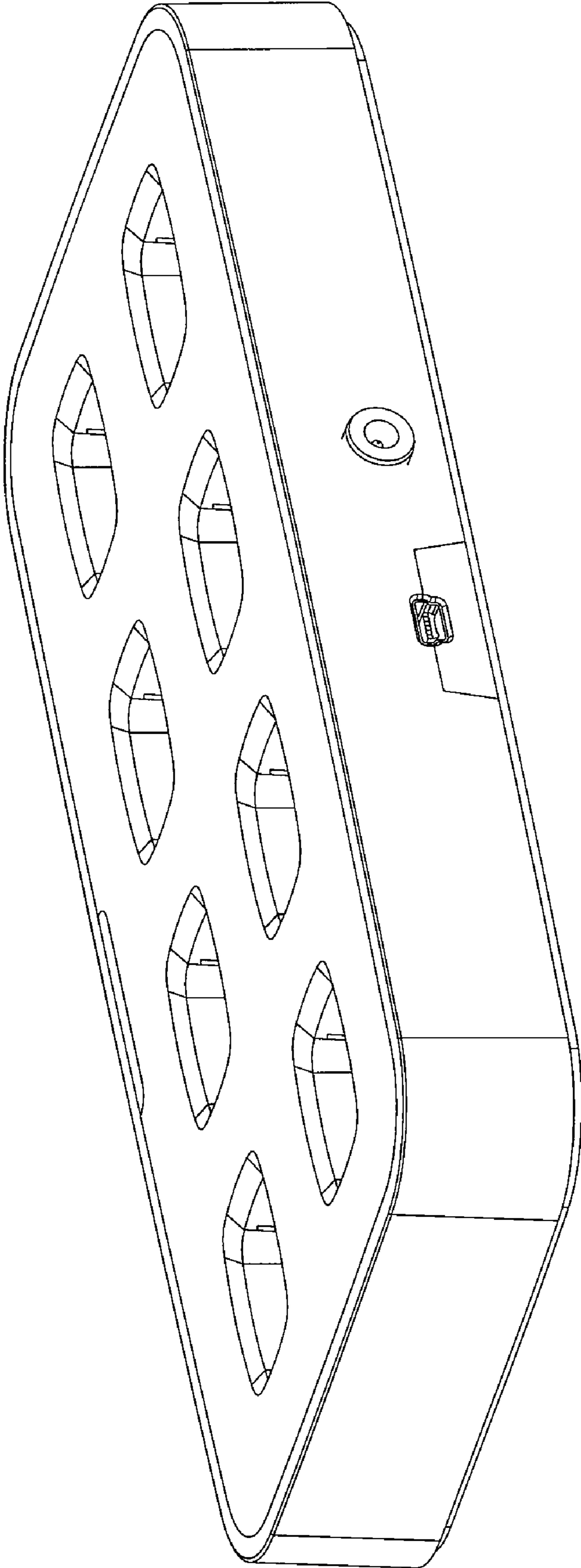


FIG. 4

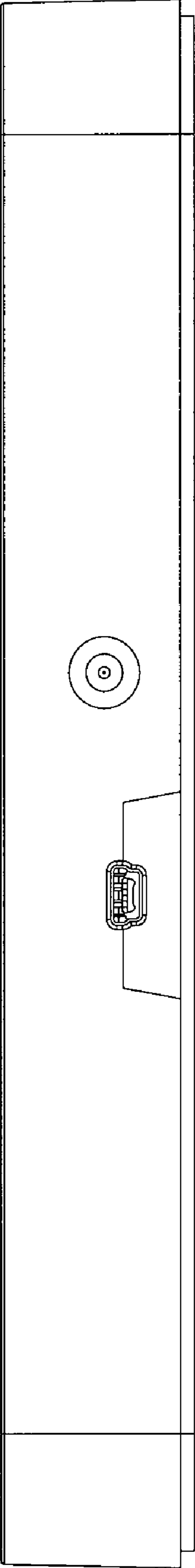


FIG. 5

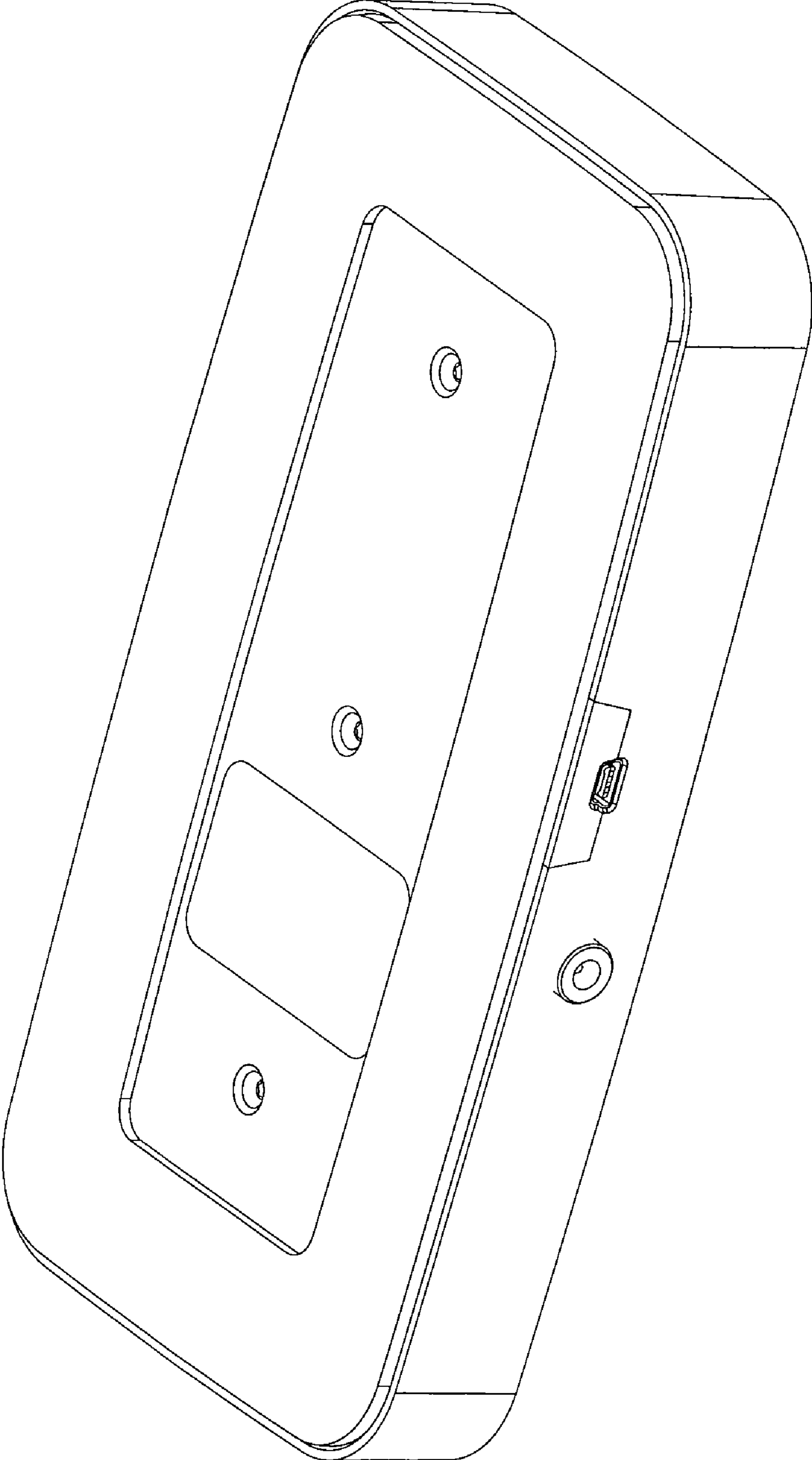


FIG. 6

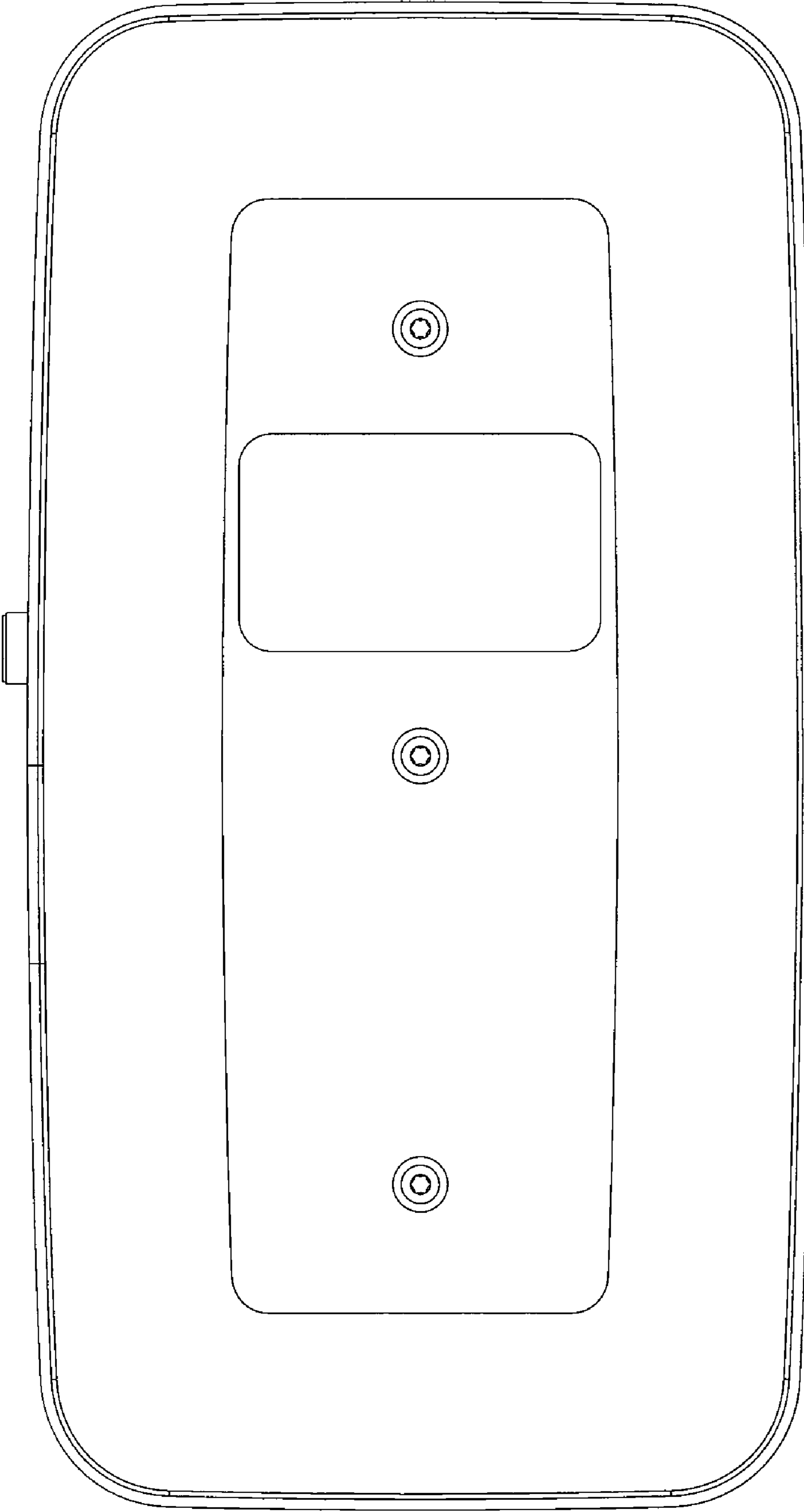


FIG. 7

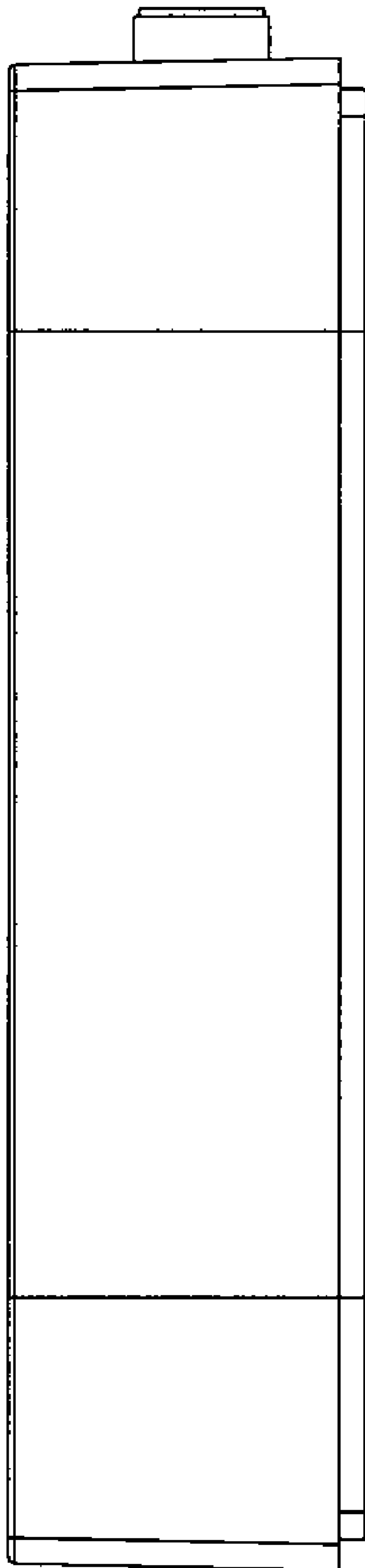


FIG. 8