



US00D629354S

(12) **United States Design Patent**
Chang

(10) **Patent No.:** **US D629,354 S**

(45) **Date of Patent:** **** Dec. 21, 2010**

(54) **CHARGER**

(75) Inventor: **I-Chang Chang**, Siihih (TW)

(73) Assignee: **Jye Chuang Electronics Co., Ltd.**,
Taipei County (TW)

(**) Term: **14 Years**

(21) Appl. No.: **29/269,042**

(22) Filed: **Nov. 20, 2006**

(51) **LOC (9) Cl.** **13-02**

(52) **U.S. Cl.** **D13/107**

(58) **Field of Classification Search** D13/102,
D13/107-110, 118-119, 184; D14/251,
D14/253, 432, 434; 320/107-115

See application file for complete search history.

(56) **References Cited**

U.S. PATENT DOCUMENTS

D412,487 S *	8/1999	Nagele et al.	D13/108
D454,837 S *	3/2002	Ibuki et al.	D13/107
D457,163 S *	5/2002	Peiker	D14/434
D467,225 S *	12/2002	Sudo	D13/102
D478,557 S *	8/2003	Pfeiffer	D13/107
D489,680 S *	5/2004	Stobart	D13/107
D513,731 S *	1/2006	Kang et al.	D13/107
D520,013 S *	5/2006	Yang	D14/434
D525,582 S *	7/2006	Chan	D13/107

D552,029 S *	10/2007	Kingston et al.	D13/108
D565,506 S *	4/2008	Sacco et al.	D13/107
D574,383 S *	8/2008	Maruyama et al.	D14/434
D586,295 S *	2/2009	Zhao et al.	D13/133

* cited by examiner

Primary Examiner—Rosemary K Tarcza

(74) *Attorney, Agent, or Firm*—Muncy, Geissler, Olds & Lowe, PLLC

(57) **CLAIM**

The ornamental design for a charger, as shown and described.

DESCRIPTION

FIG. 1 is a perspective view of a charger showing my new design;

FIG. 2 is a front view thereof;

FIG. 3 is a back view thereof;

FIG. 4 is a left side view thereof;

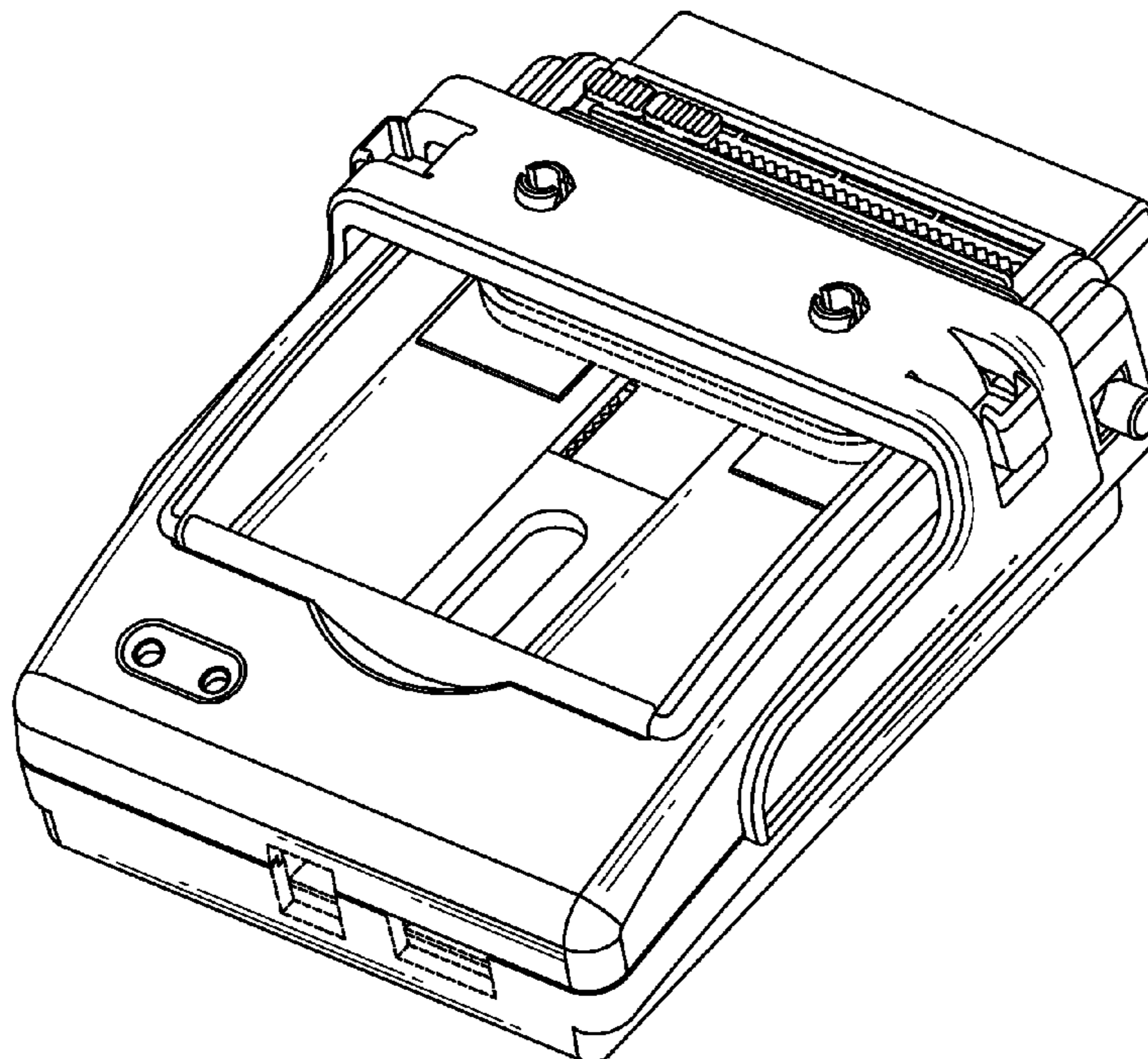
FIG. 5 is a right side view thereof;

FIG. 6 is a top view thereof; and,

FIG. 7 is a bottom view thereof.

The broken lines shown in the drawings are included for the purpose of illustrating environmental structure and form no part of the claimed design.

1 Claim, 7 Drawing Sheets



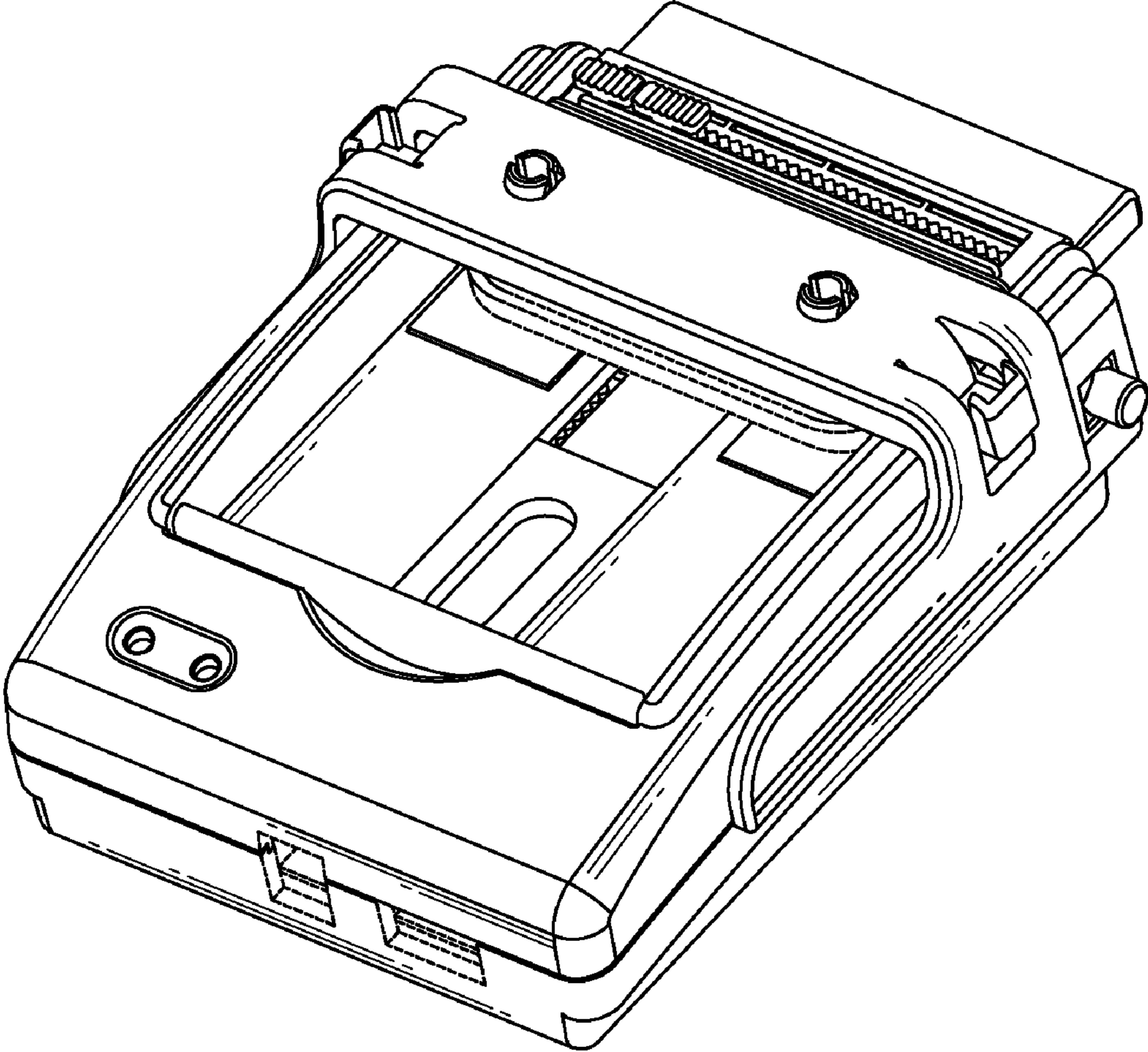


Figure 1

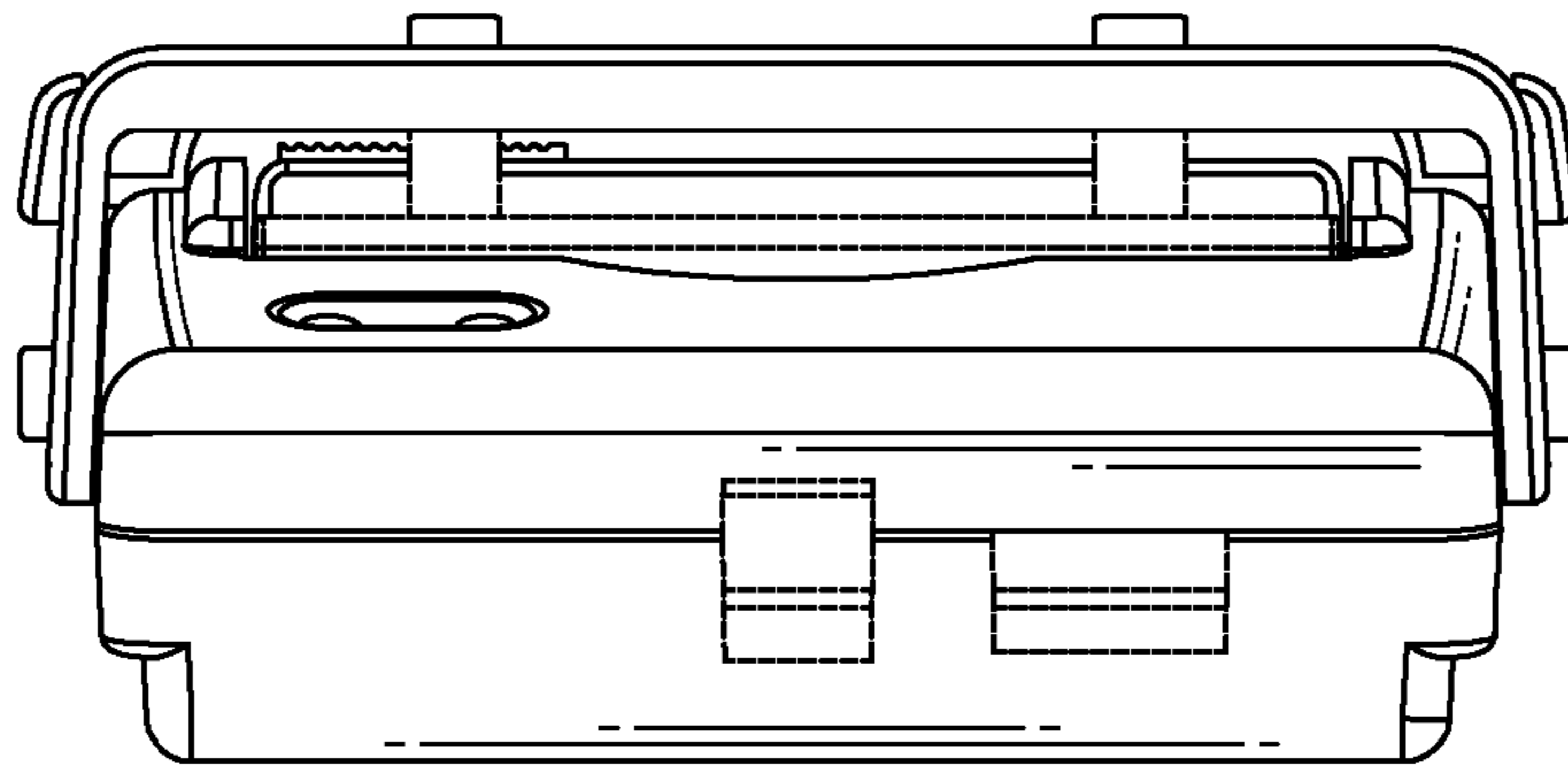


Figure 2

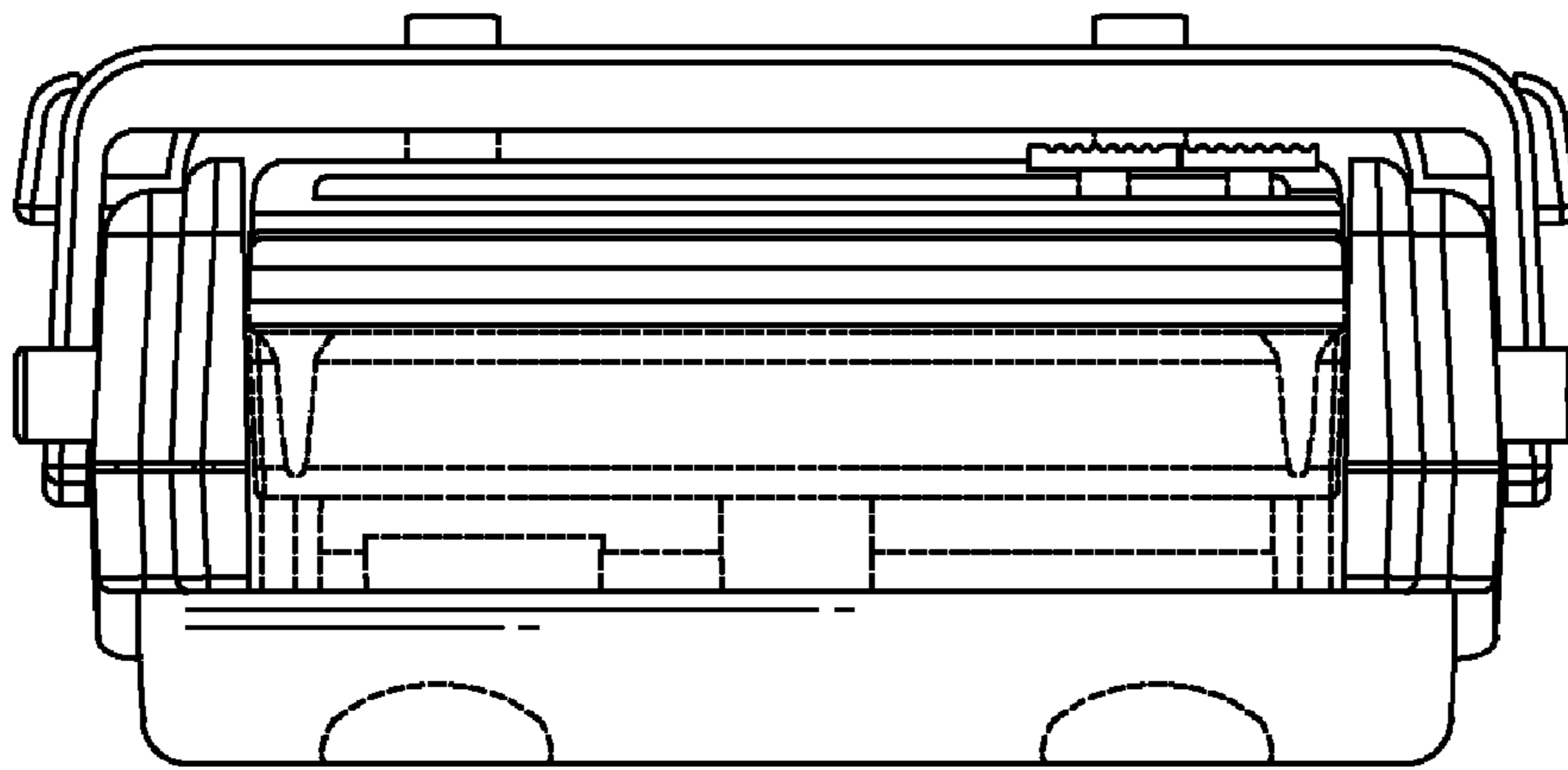


Figure 3

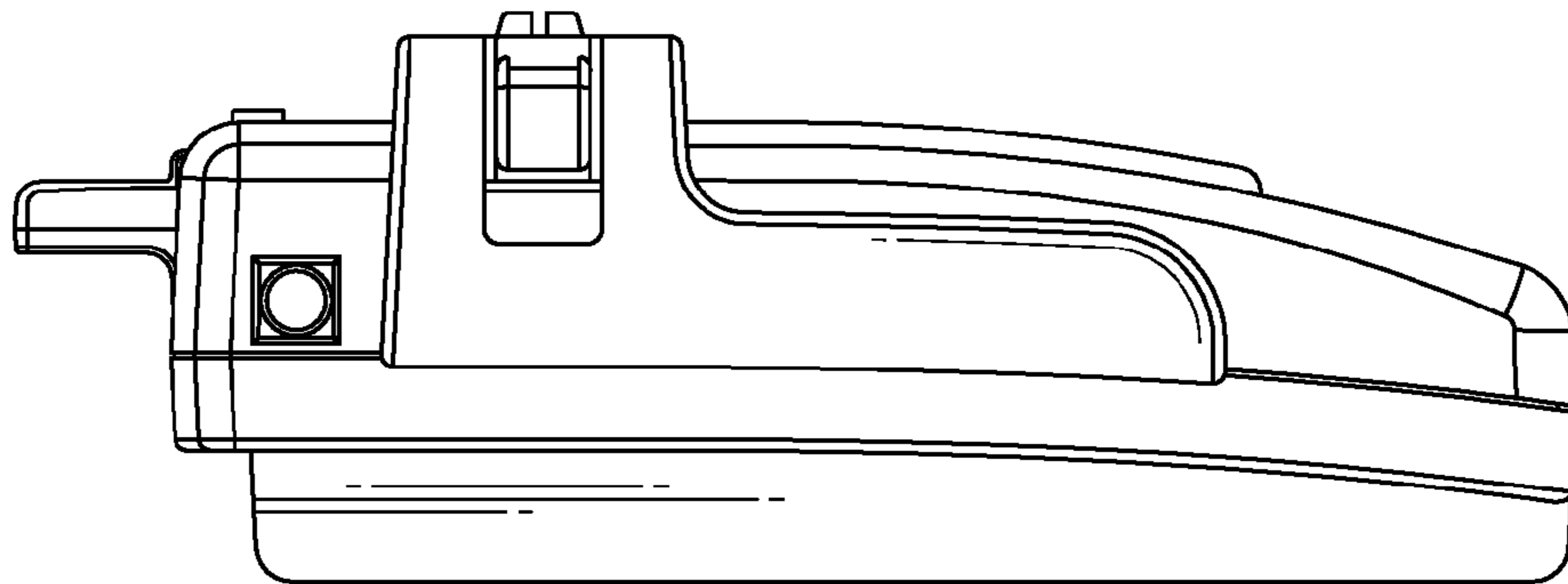


Figure 4

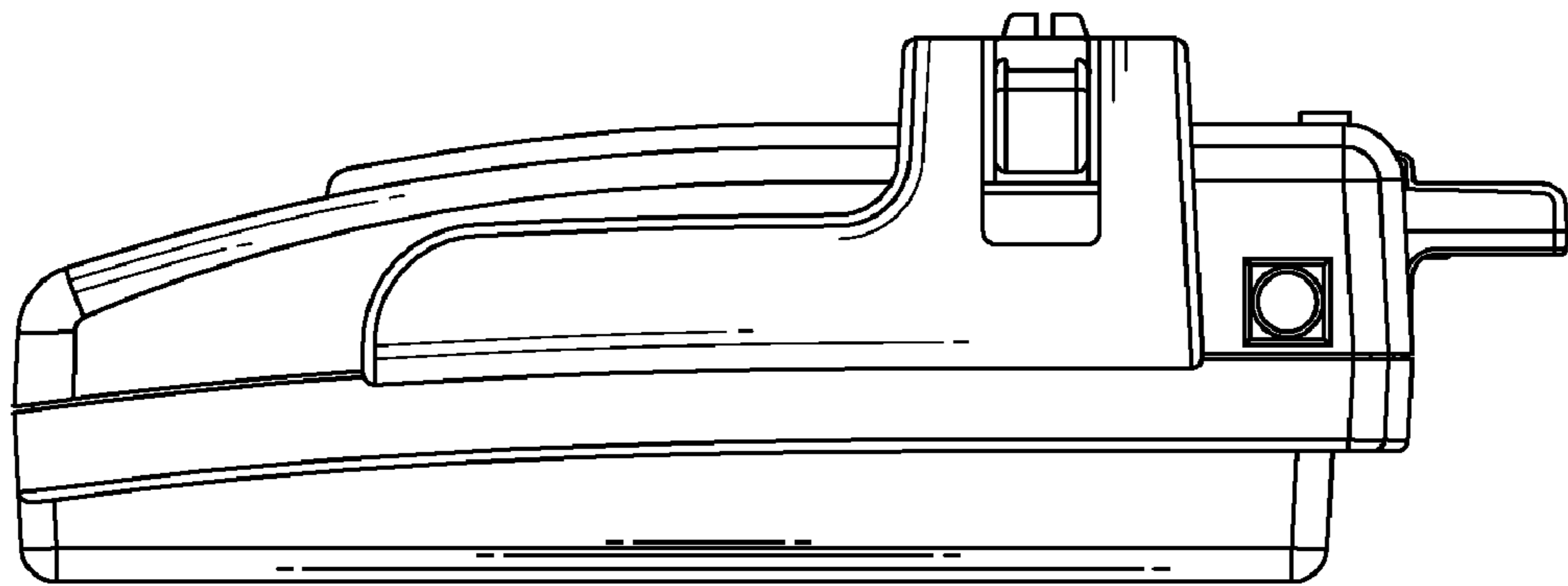


Figure 5

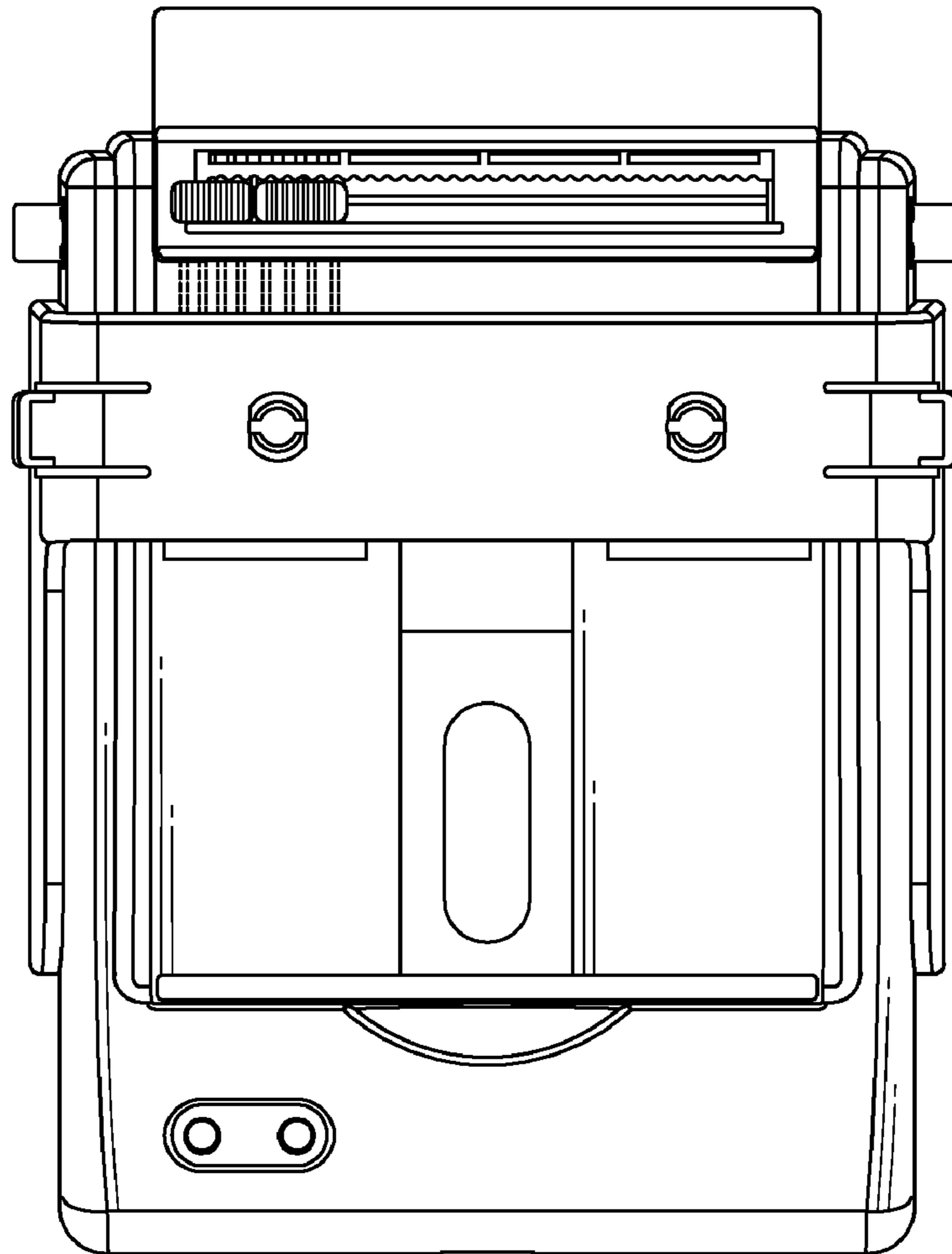


Figure 6

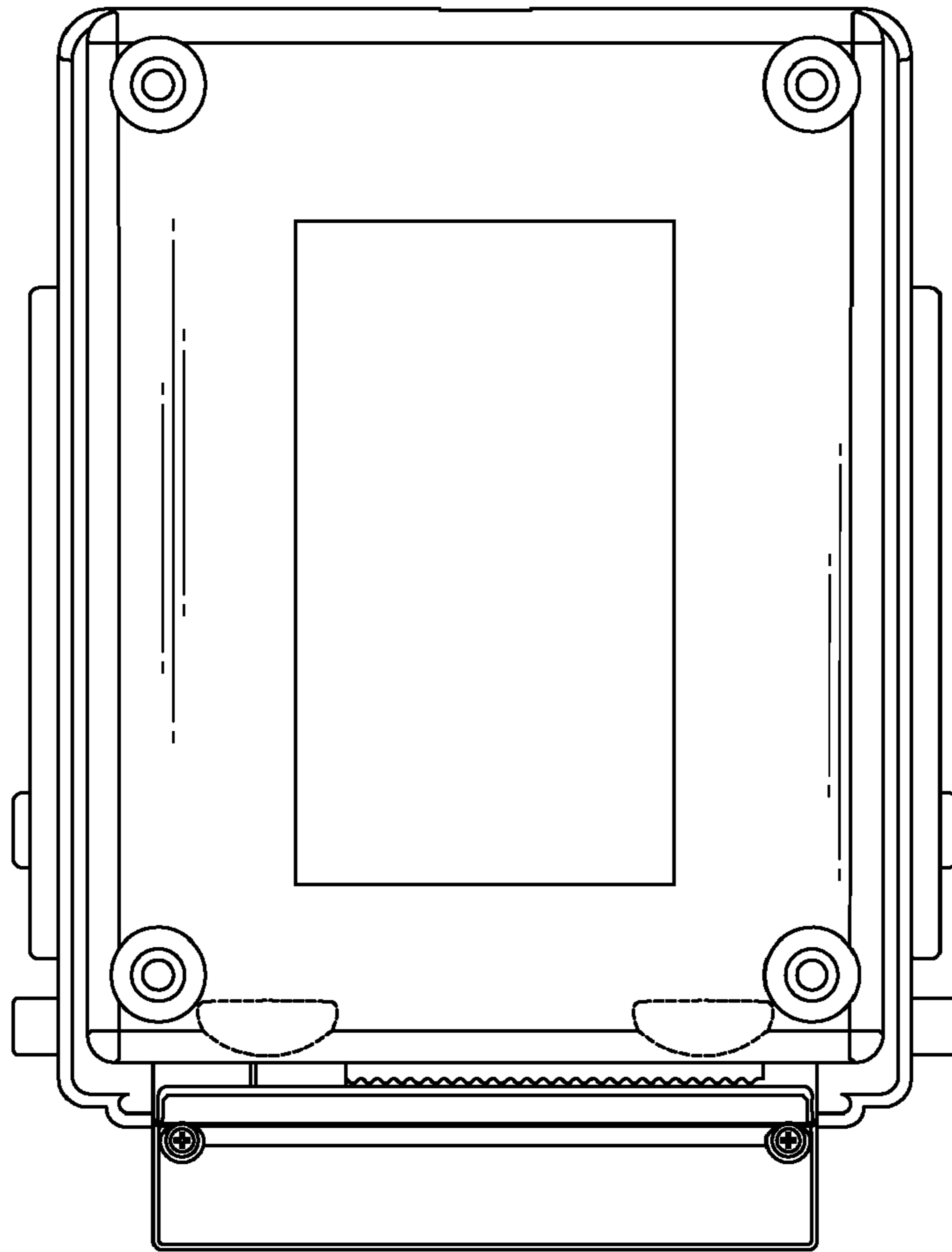


Figure 7