



US00D629348S

(12) **United States Design Patent**
Nishimoto et al.

(10) **Patent No.:** **US D629,348 S**

(45) **Date of Patent:** **** Dec. 21, 2010**

(54) **TANK AND SIDE COVER ASSEMBLY FOR A MOTORCYCLE**

(75) Inventors: **Akihiko Nishimoto**, Wako (JP); **Kazuya Kurita**, Wako (JP)

(73) Assignee: **Honda Motor Co., Ltd.**, Tokyo (JP)

(**) Term: **14 Years**

(21) Appl. No.: **29/341,027**

(22) Filed: **Jul. 29, 2009**

(30) **Foreign Application Priority Data**

Jan. 30, 2009 (JP) 2009-001848

(51) **LOC (9) Cl.** **12-11**

(52) **U.S. Cl.** **D12/218; D12/126**

(58) **Field of Classification Search** D12/218,
D12/110, 126; 280/833-835, 288.4; 220/4.14,
220/562-564, 581, 582; 180/219, 69.4, 225,
180/220; 296/77.1, 78.1, 193.01, 193.05;
123/195 C, 198 E

See application file for complete search history.

(56) **References Cited**

U.S. PATENT DOCUMENTS

D207,042 S *	2/1967	Otsuka et al.	D12/110
D241,241 S *	8/1976	McElroy	D12/110
D264,574 S *	5/1982	Kurishima et al.	D12/110
4,685,530 A *	8/1987	Hara	180/219
D295,154 S *	4/1988	Opitz	D12/126
D300,418 S *	3/1989	Yamada et al.	D12/114
D512,951 S *	12/2005	Alsop	D12/218
D514,498 S *	2/2006	Alsop	D12/218
D588,503 S *	3/2009	Idei et al.	D12/110

OTHER PUBLICATIONS

J & P Cycles® 2008 Keeping the World on 2 Wheels® Catalog, gas tanks on pp. 424 and 425.*

Custom Chrome® 2002 Catalog, Aluminum Gas Tank with Optional Flip-Up Dash for Softail® Models on p. 16.04.*

* cited by examiner

Primary Examiner—Philip S Hyder

Assistant Examiner—Linda G. Brooks

(74) *Attorney, Agent, or Firm*—Birch, Stewart, Kolasch & Birch, LLP

(57) **CLAIM**

The ornamental design for a tank and side cover assembly for a motorcycle, as shown and described.

DESCRIPTION

FIG. 1 is a perspective view of the tank and side cover assembly for a motorcycle.

FIG. 2 is a perspective view from the right side thereof.

FIG. 3 is a perspective view from the left side thereof.

FIG. 4 is a perspective view from the right side thereof.

FIG. 5 is a front elevation view thereof.

FIG. 6 is a rear elevation view thereof.

FIG. 7 is a left side elevation view thereof.

FIG. 8 is a right side elevation view thereof.

FIG. 9 is a top plan view thereof; and,

FIG. 10 is a bottom plan view thereof.

The broken lines shown in the drawings are for the purpose of showing environmental structure only and form no part of the claimed design.

1 Claim, 10 Drawing Sheets

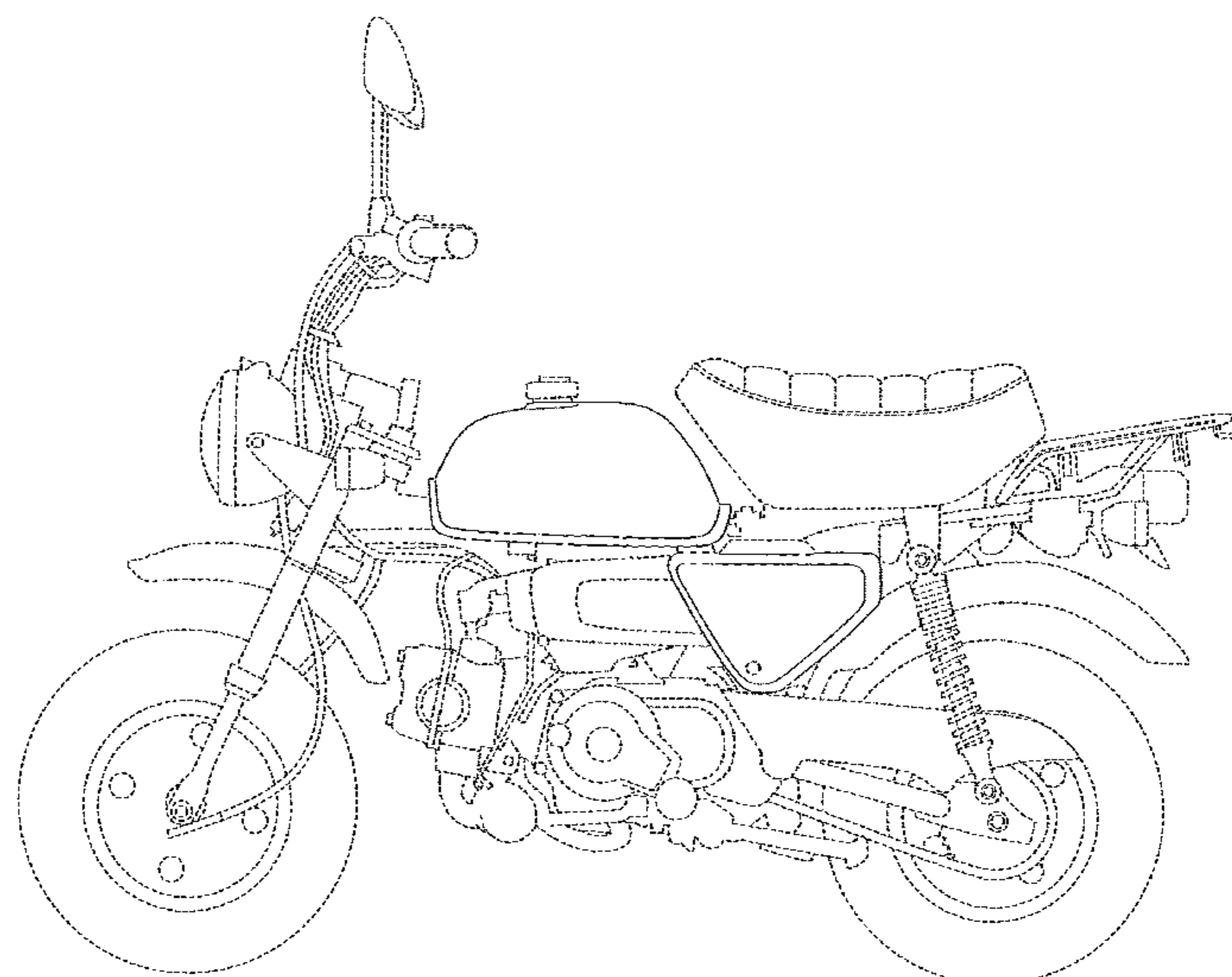
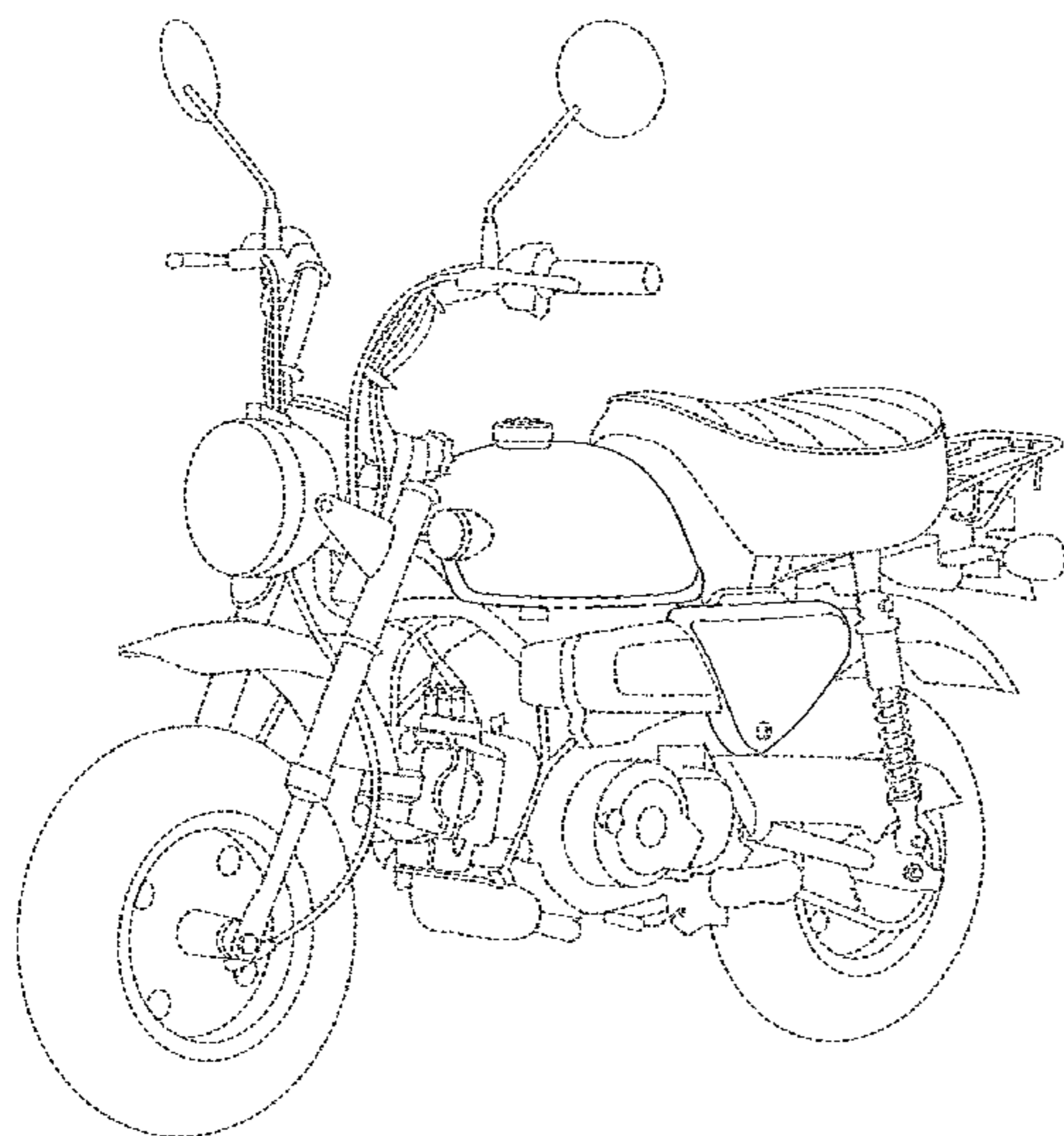


FIG. 1

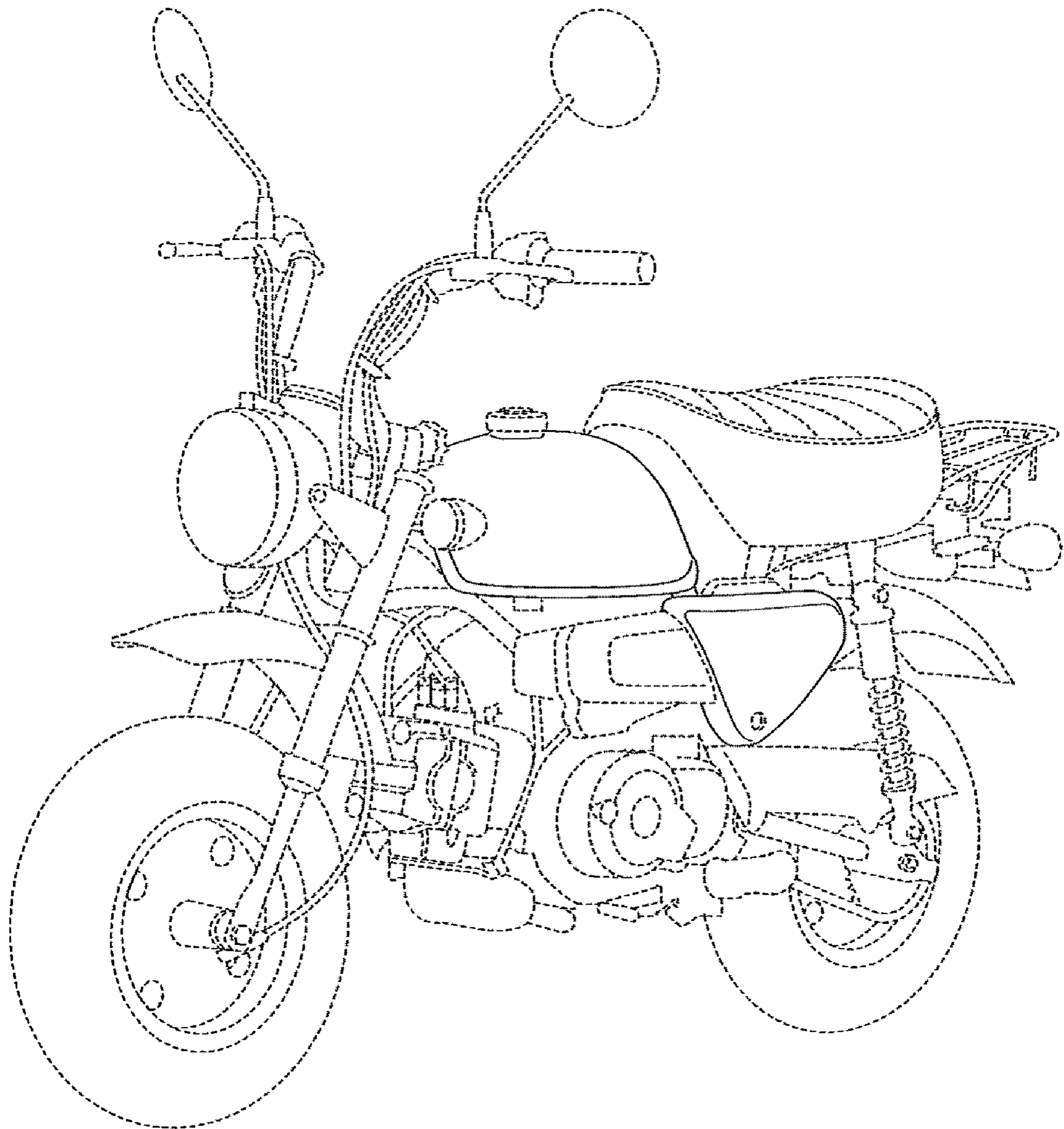


FIG. 2

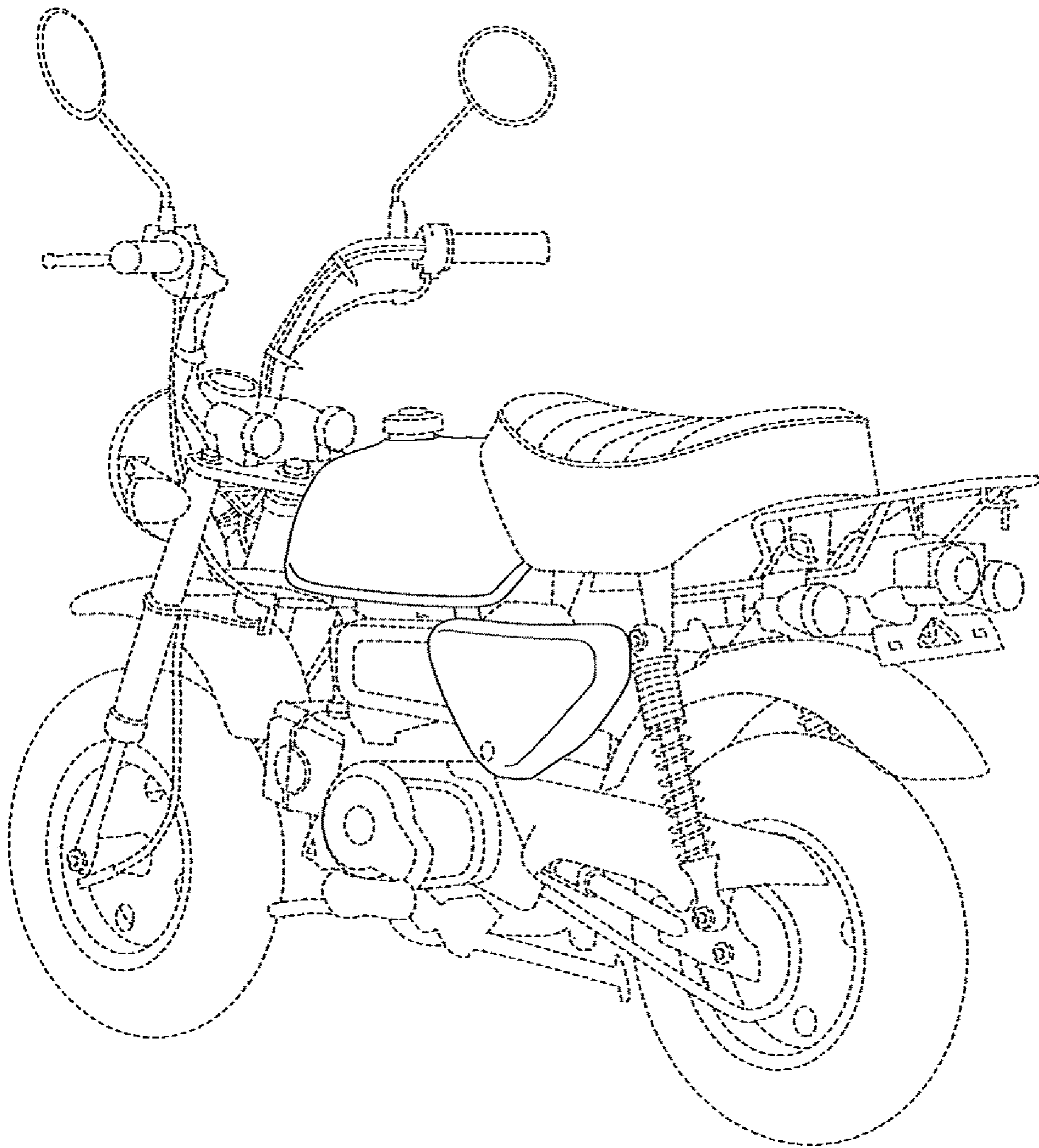


FIG. 3

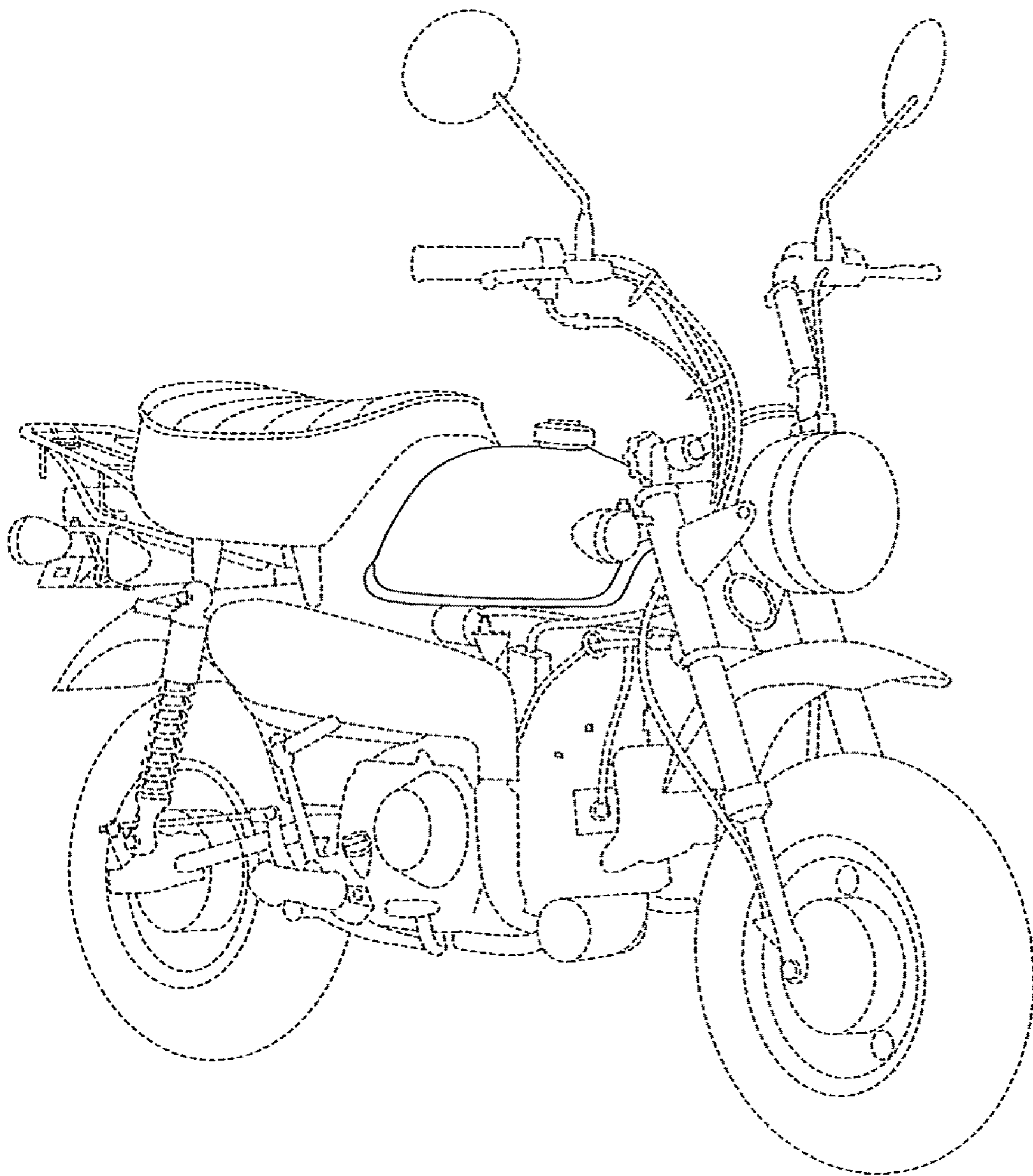


FIG. 4

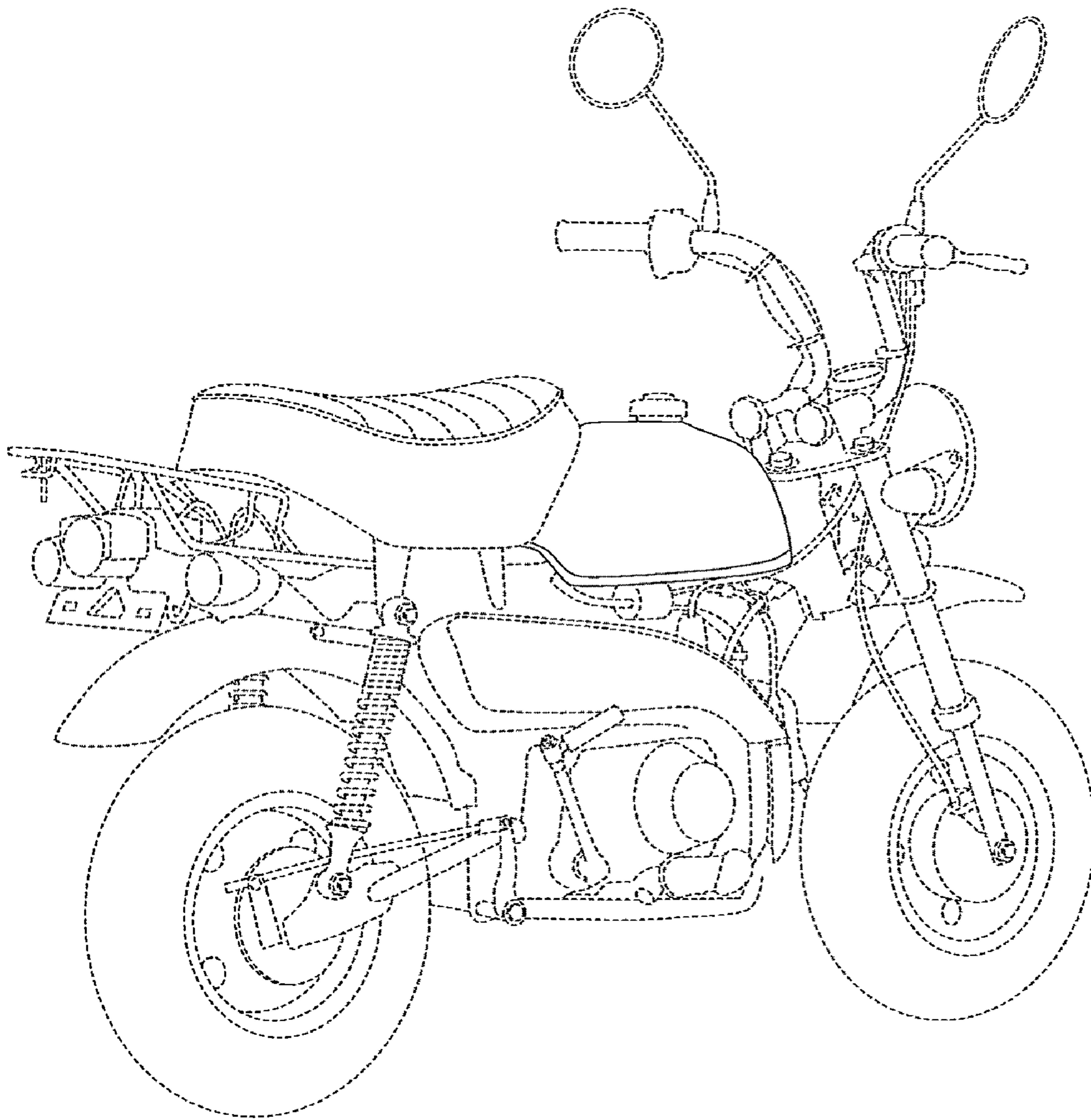


FIG. 5

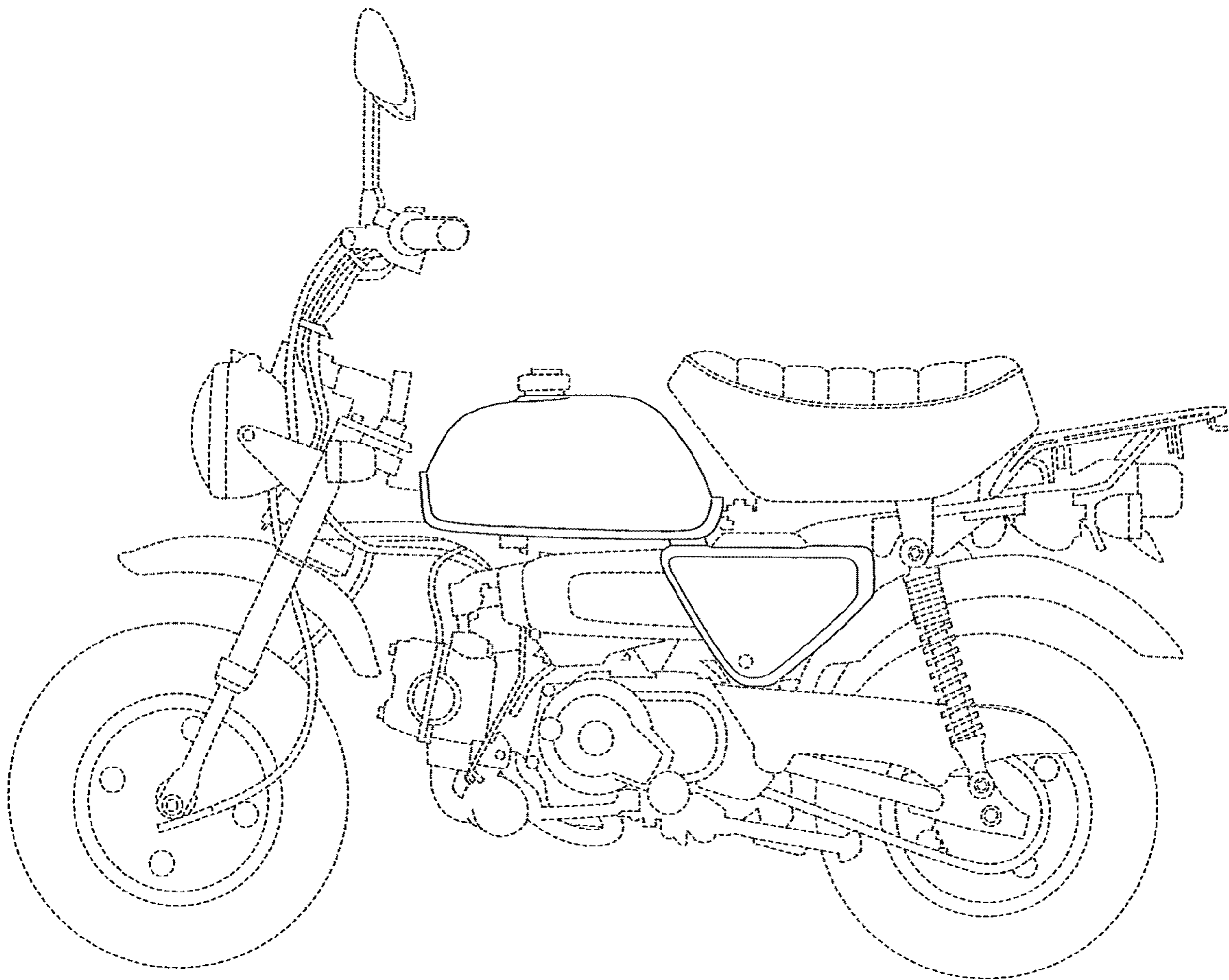


FIG. 6

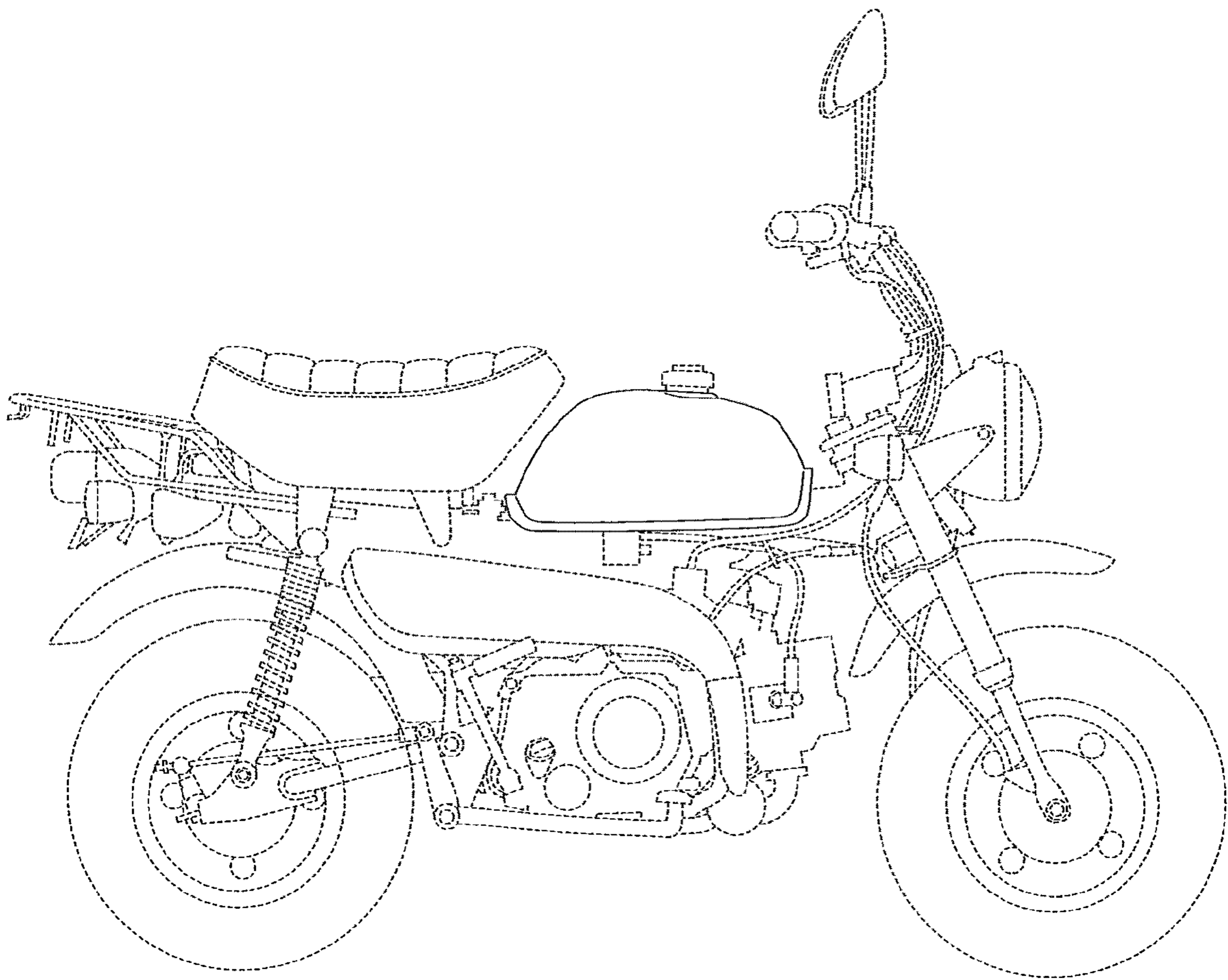


FIG. 7

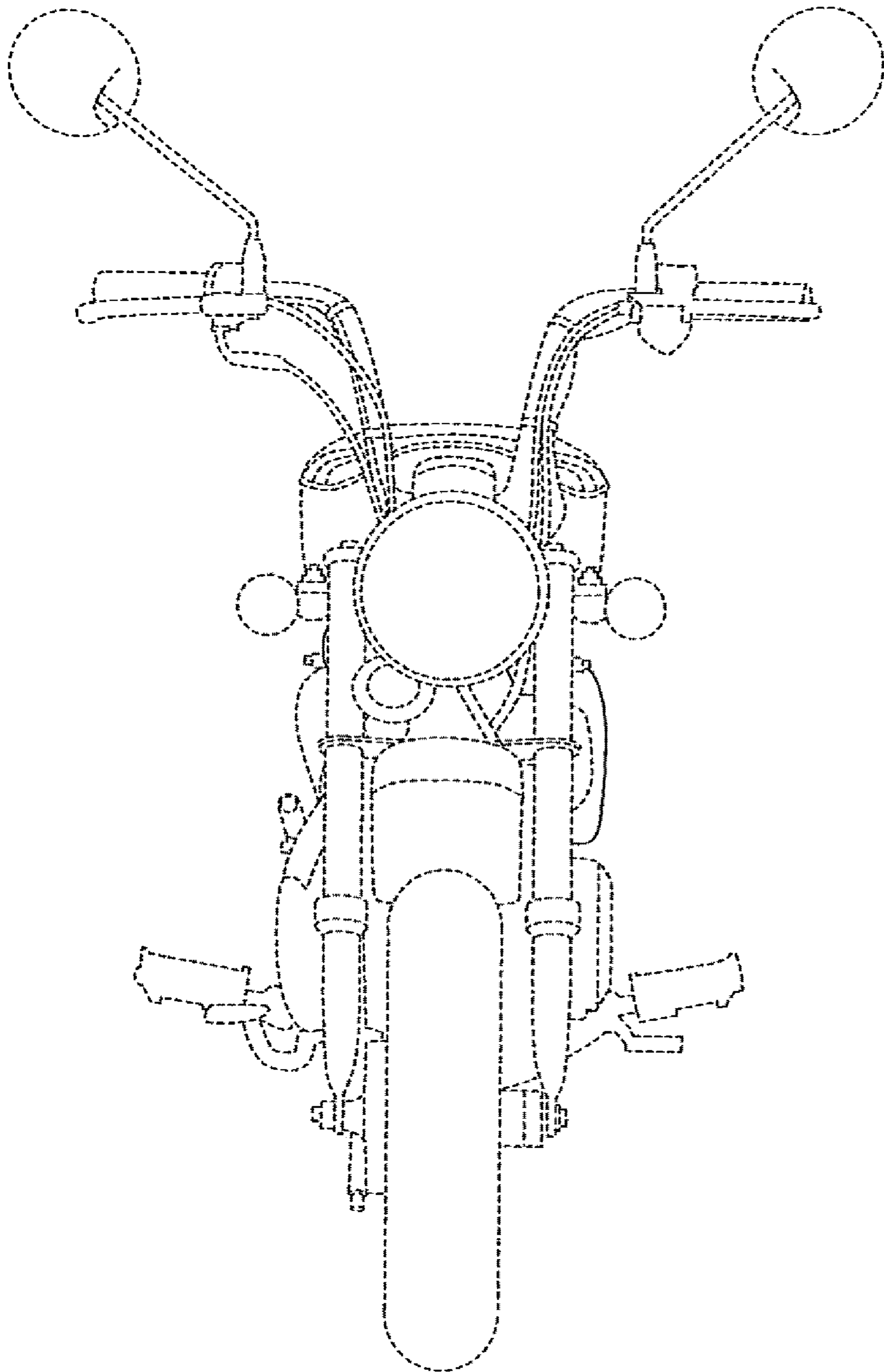


FIG. 8

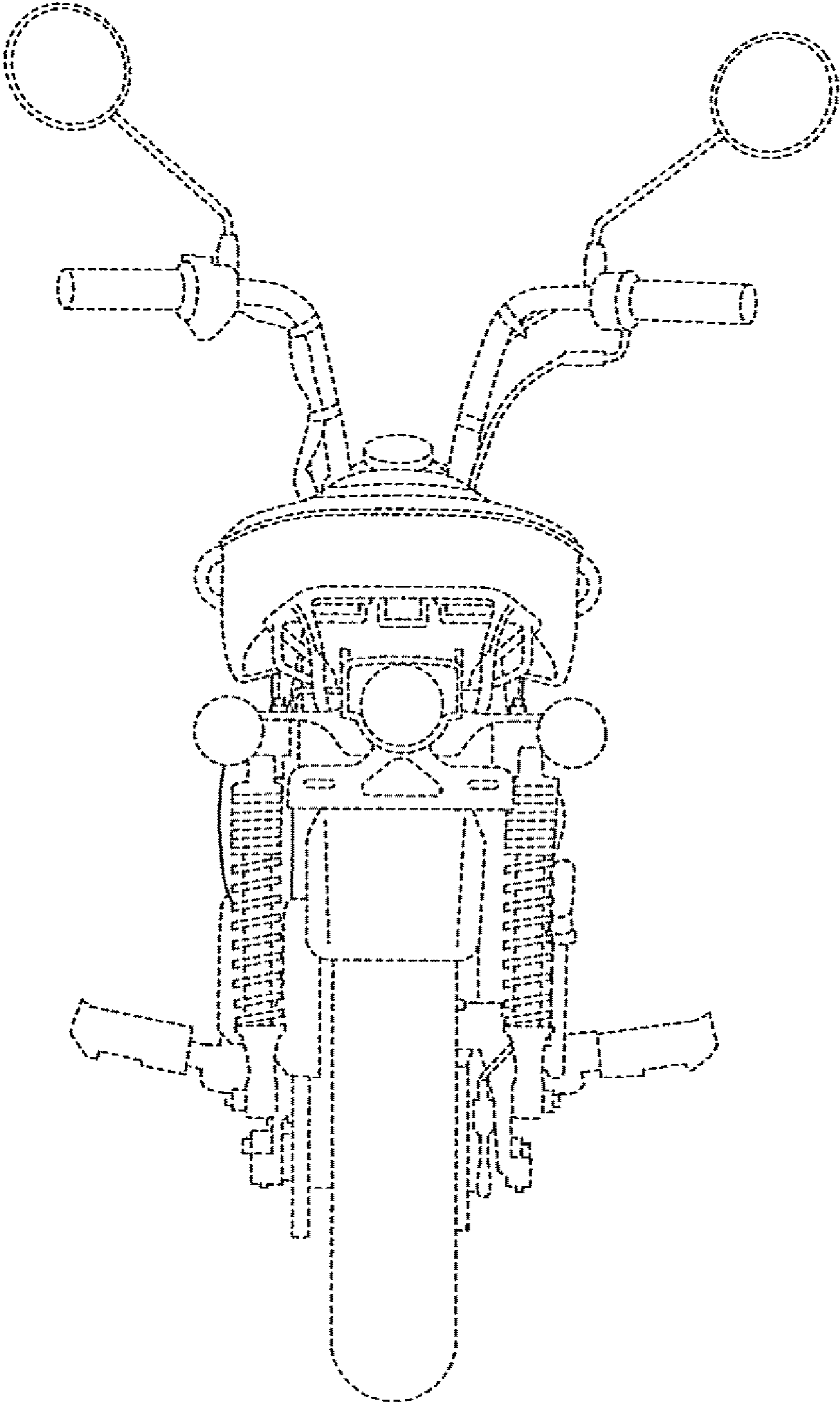


FIG. 9

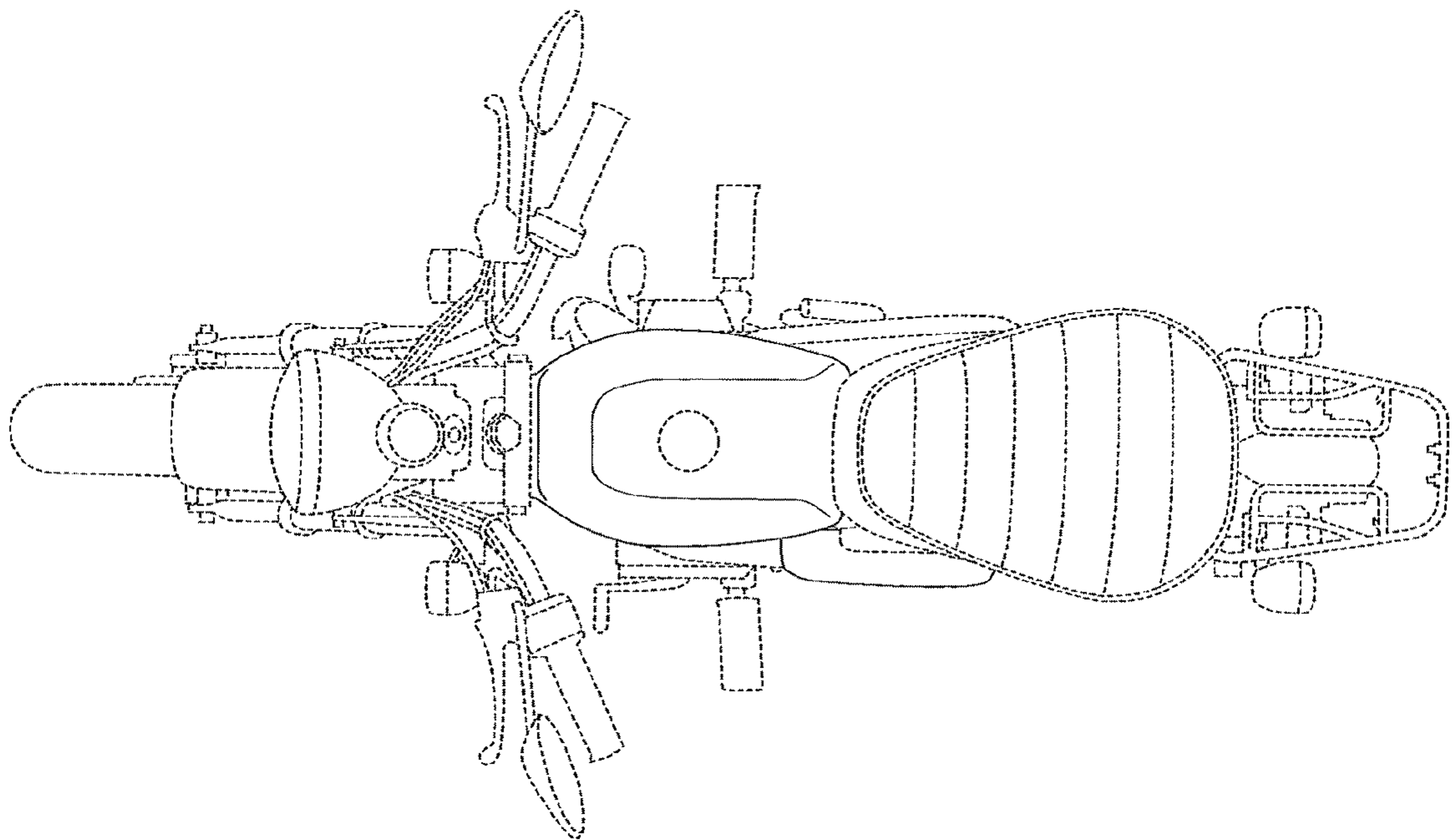


FIG. 10

