



US00D629347S

(12) **United States Design Patent**  
**Kim**

(10) **Patent No.:** **US D629,347 S**

(45) **Date of Patent:** **\*\* Dec. 21, 2010**

(54) **AUTOMOTIVE WHEEL**

(75) **Inventor:** **Paul J. Kim**, Industry, CA (US)

(73) **Assignee:** **The Wheel Group**, Industry, CA (US)

(\*\*) **Term:** **14 Years**

(21) **Appl. No.:** **29/370,872**

(22) **Filed:** **Sep. 16, 2010**

(51) **LOC (9) Cl.** ..... **12-16**

(52) **U.S. Cl.** ..... **D12/211**

(58) **Field of Classification Search** ..... D12/204-213;  
301/37.101, 64.101, 65, 64.201

See application file for complete search history.

(56) **References Cited**

**U.S. PATENT DOCUMENTS**

D514,496 S	*	2/2006	Neeper	.....	D12/211
D528,494 S	*	9/2006	Osborne et al.	.....	D12/209
D531,566 S	*	11/2006	Kim	.....	D12/211
D553,063 S	*	10/2007	Pugh	.....	D12/209
D567,732 S	*	4/2008	Chung	.....	D12/209

D578,458 S	*	10/2008	Cortes	.....	D12/211
D579,845 S	*	11/2008	Chung	.....	D12/209
D583,291 S	*	12/2008	Treadway	.....	D12/211
D584,673 S	*	1/2009	Chung	.....	D12/209
D590,315 S	*	4/2009	Chung	.....	D12/209
D620,863 S	*	8/2010	Groom	.....	D12/209
D624,863 S	*	10/2010	Zhao	.....	D12/211

\* cited by examiner

*Primary Examiner*—Stacia Cadmus

(57) **CLAIM**

The ornamental design for an automotive wheel, as shown and described.

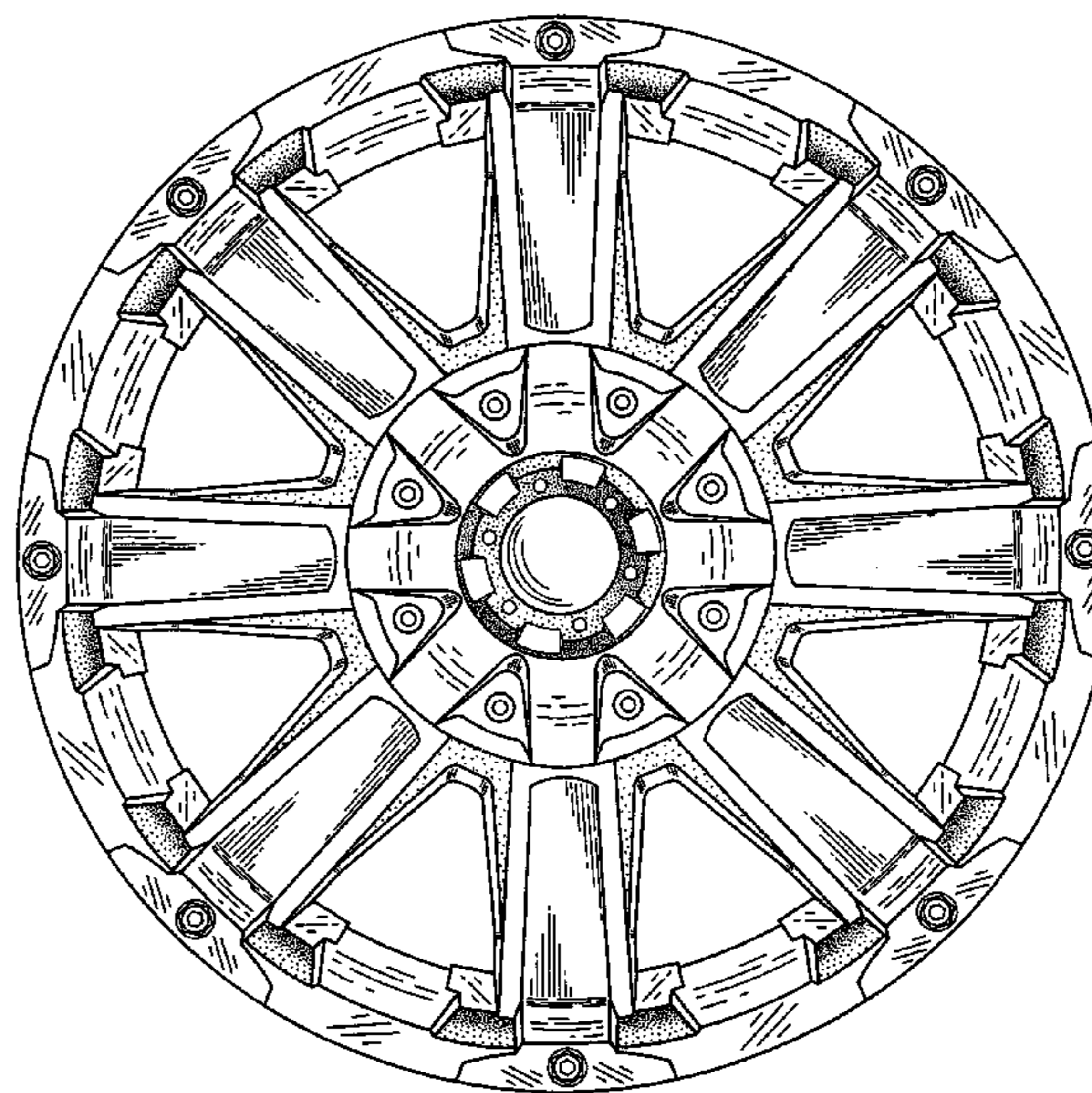
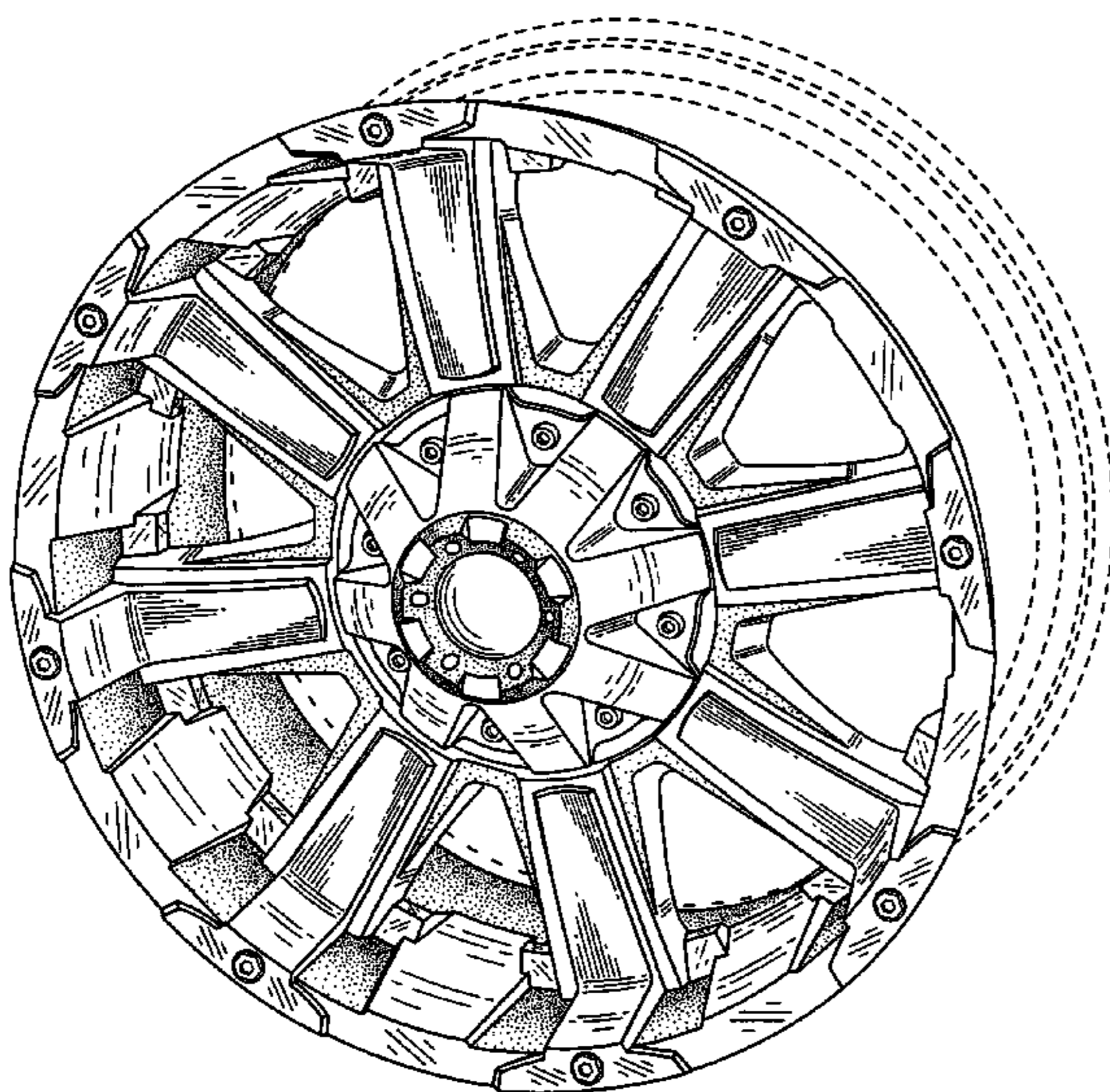
**DESCRIPTION**

FIG. 1 is a perspective view of an automotive wheel showing my new design; and,

FIG. 2 is a front elevational view of an automotive wheel showing the design herein described.

The broken lines showing the environment are for illustrative purposes only, and form no part of the claimed design.

**1 Claim, 2 Drawing Sheets**



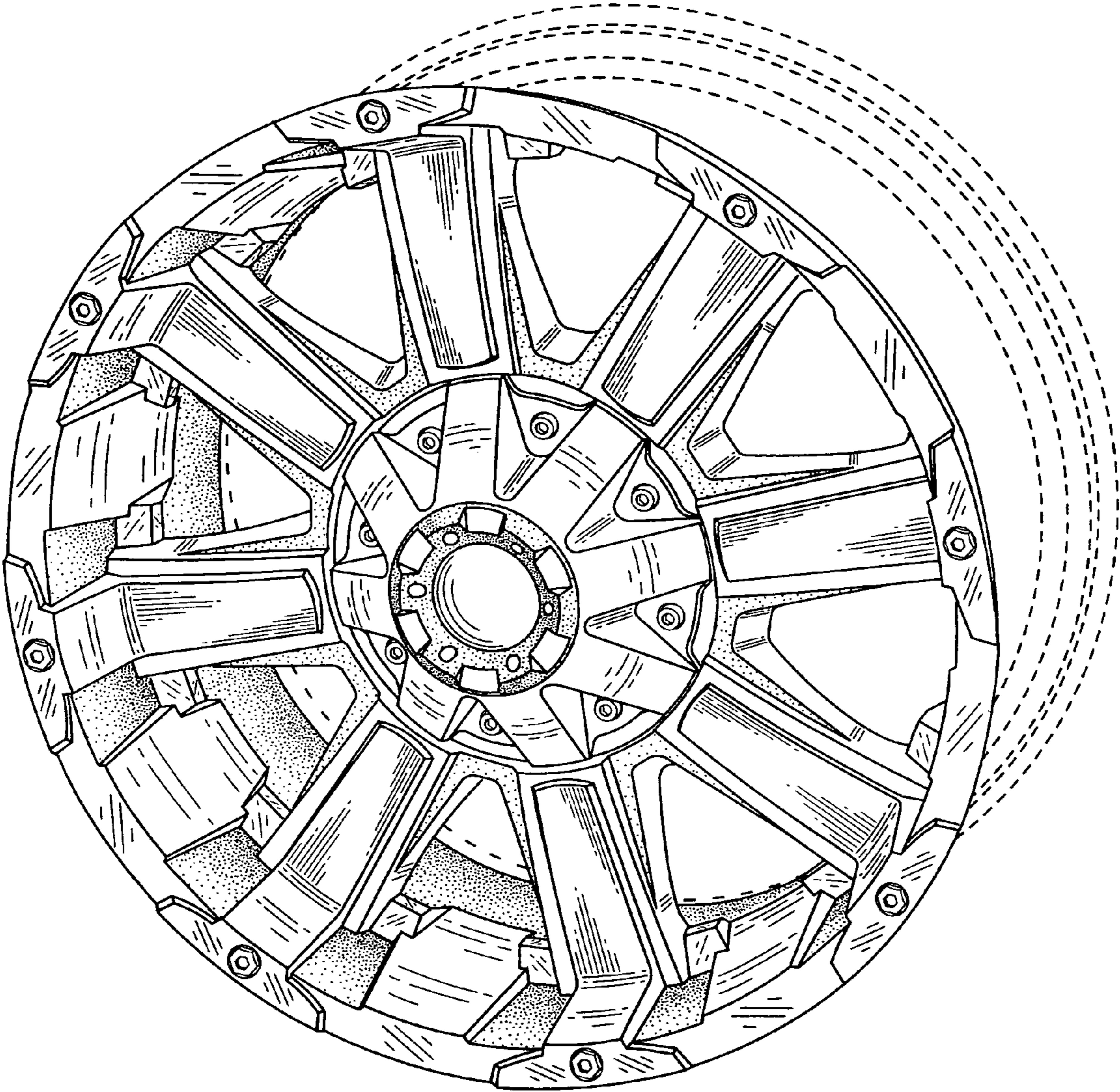


FIG. 1

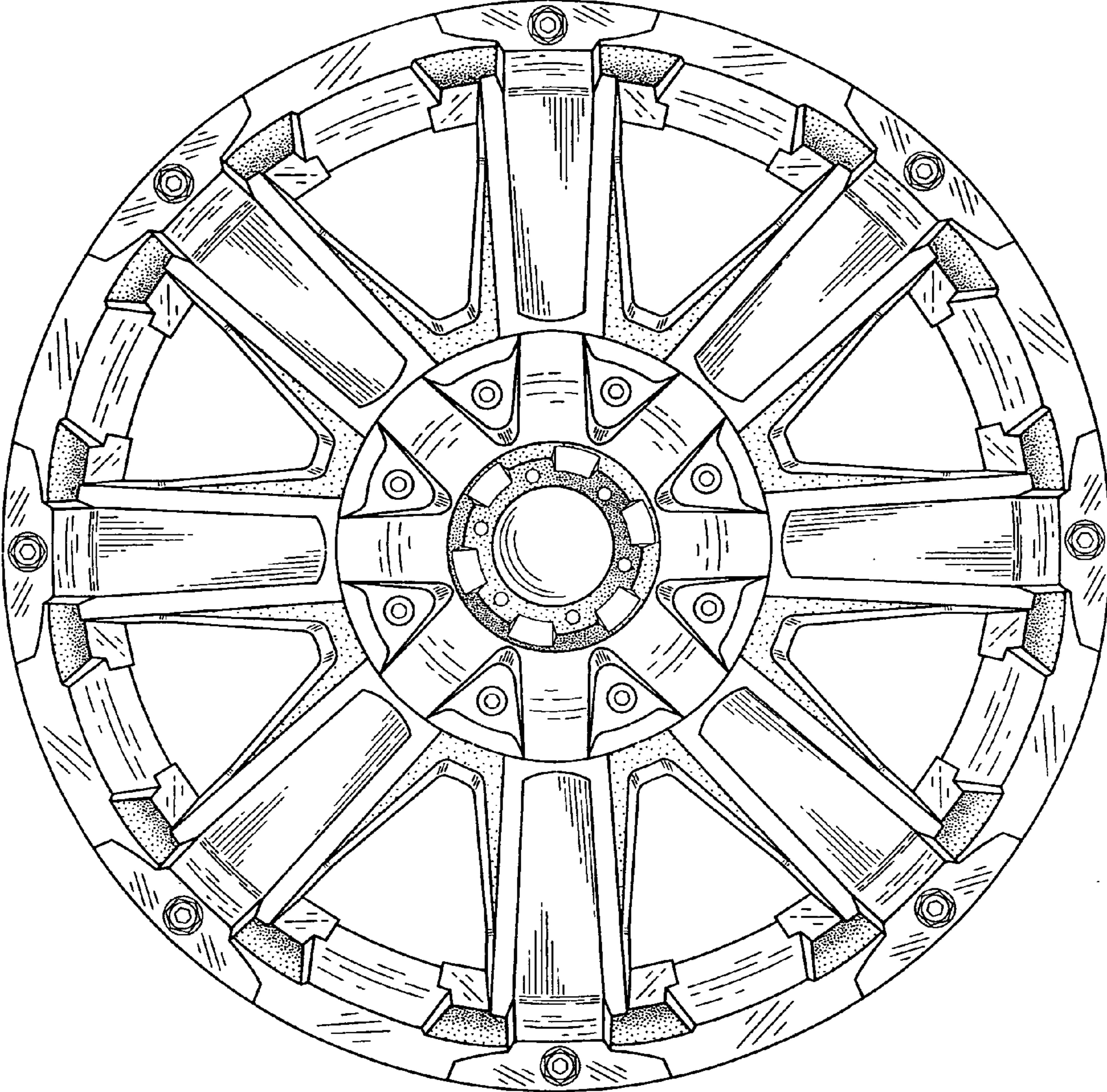


FIG. 2