

US00D629342S

(12) **United States Design Patent**  
**Fallot**

(10) **Patent No.:** **US D629,342 S**

(45) **Date of Patent:** **\*\* Dec. 21, 2010**

(54) **BRAKE PEDAL**

7,146,876 B2 \* 12/2006 Willemsen et al. .... 74/512  
D540,227 S \* 4/2007 Doucet ..... D12/174

(75) Inventor: **Bradley Fallot**, Palm Coast, FL (US)

\* cited by examiner

(73) Assignee: **Ernie Green Industries, Inc.**,  
Beavercreek, OH (US)

*Primary Examiner*—Melody N Brown

(\*\*) Term: **14 Years**

(74) *Attorney, Agent, or Firm*—Laurence A. Greenberg;  
Werner H. Stemer; Ralph E. Locher

(21) Appl. No.: **29/355,523**

(57) **CLAIM**

(22) Filed: **Feb. 9, 2010**

The ornamental design for a brake pedal, as shown and described.

(51) **LOC (9) Cl.** ..... **12-16**

(52) **U.S. Cl.** ..... **D12/174**

(58) **Field of Classification Search** ..... D12/174;  
74/560–563, 594.4; 280/259, 291; 403/257  
See application file for complete search history.

**DESCRIPTION**

FIG. 1 is a front perspective view of a brake pedal, showing my new design;

FIG. 2 is a rear perspective view thereof;

FIG. 3 is front elevational view thereof;

FIG. 4 is side elevational view thereof; and,

FIG. 5 is an enlarged perspective view showing an attachment portion of the brake pedal.

(56) **References Cited**

U.S. PATENT DOCUMENTS

6,008,787 A \* 12/1999 Kondoh ..... 345/97  
D447,102 S \* 8/2001 Saleen ..... D12/174  
D479,167 S \* 9/2003 Faust et al. .... D12/174  
6,983,671 B2 \* 1/2006 White ..... 74/512

**1 Claim, 5 Drawing Sheets**

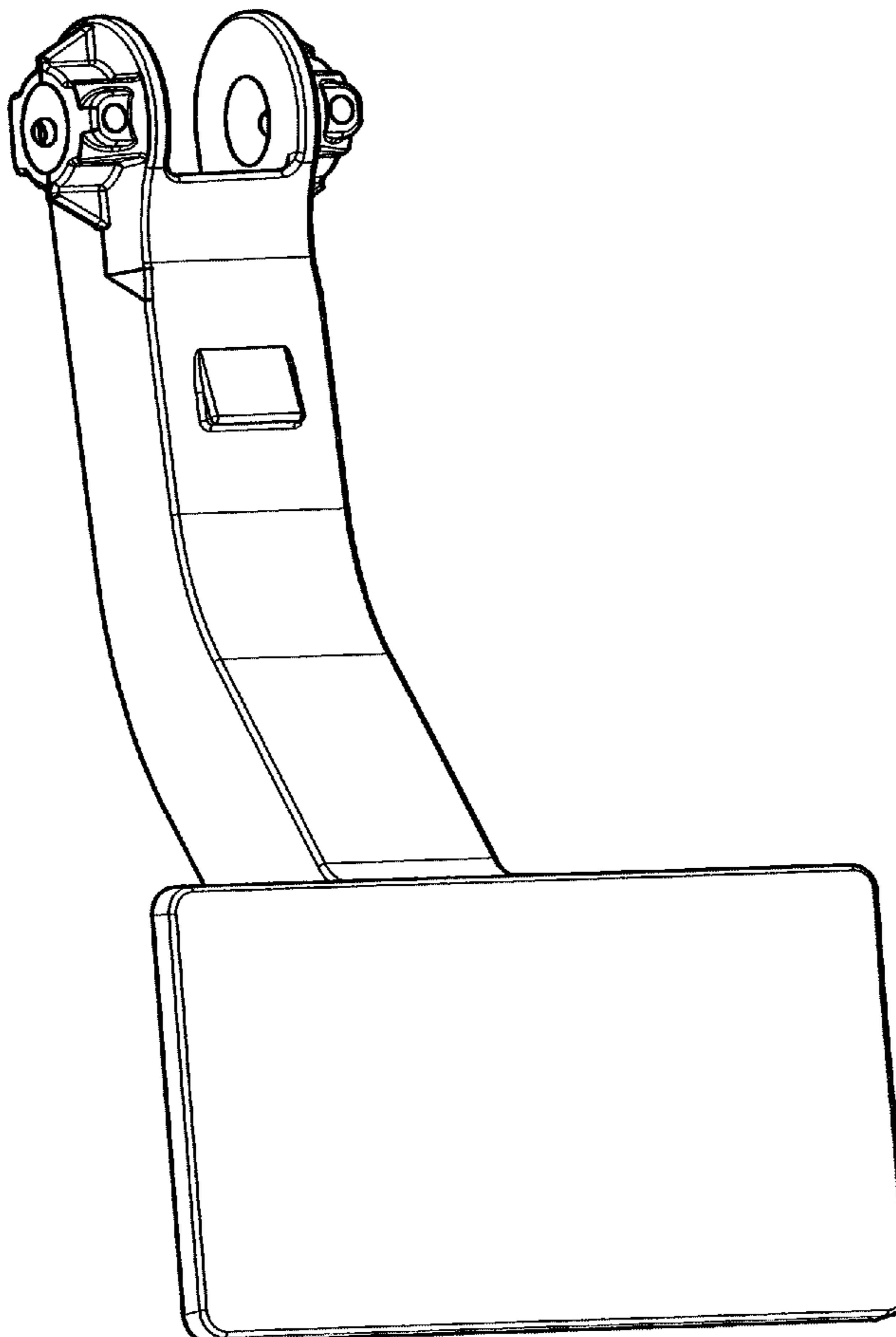


FIG. 1

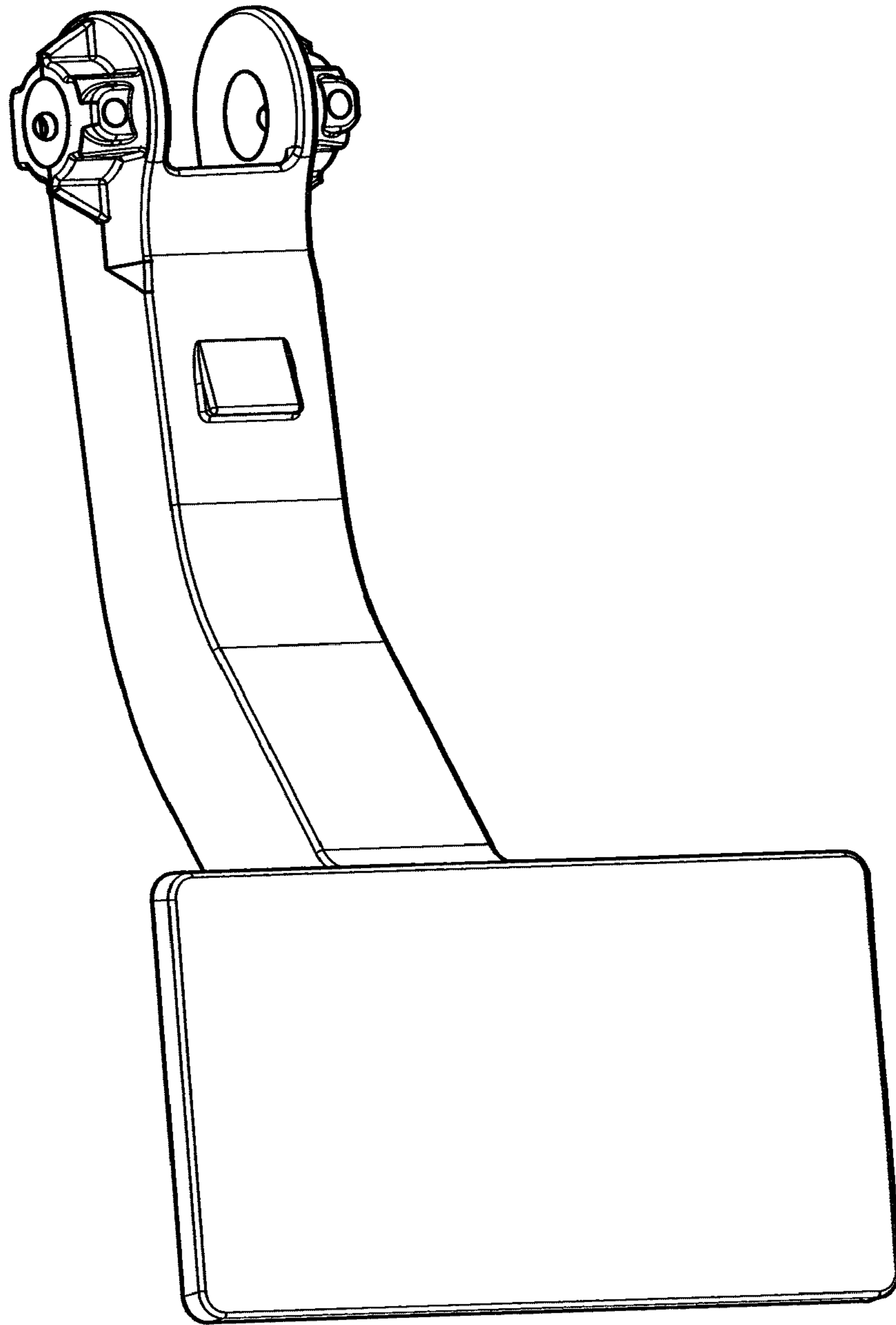


FIG. 2

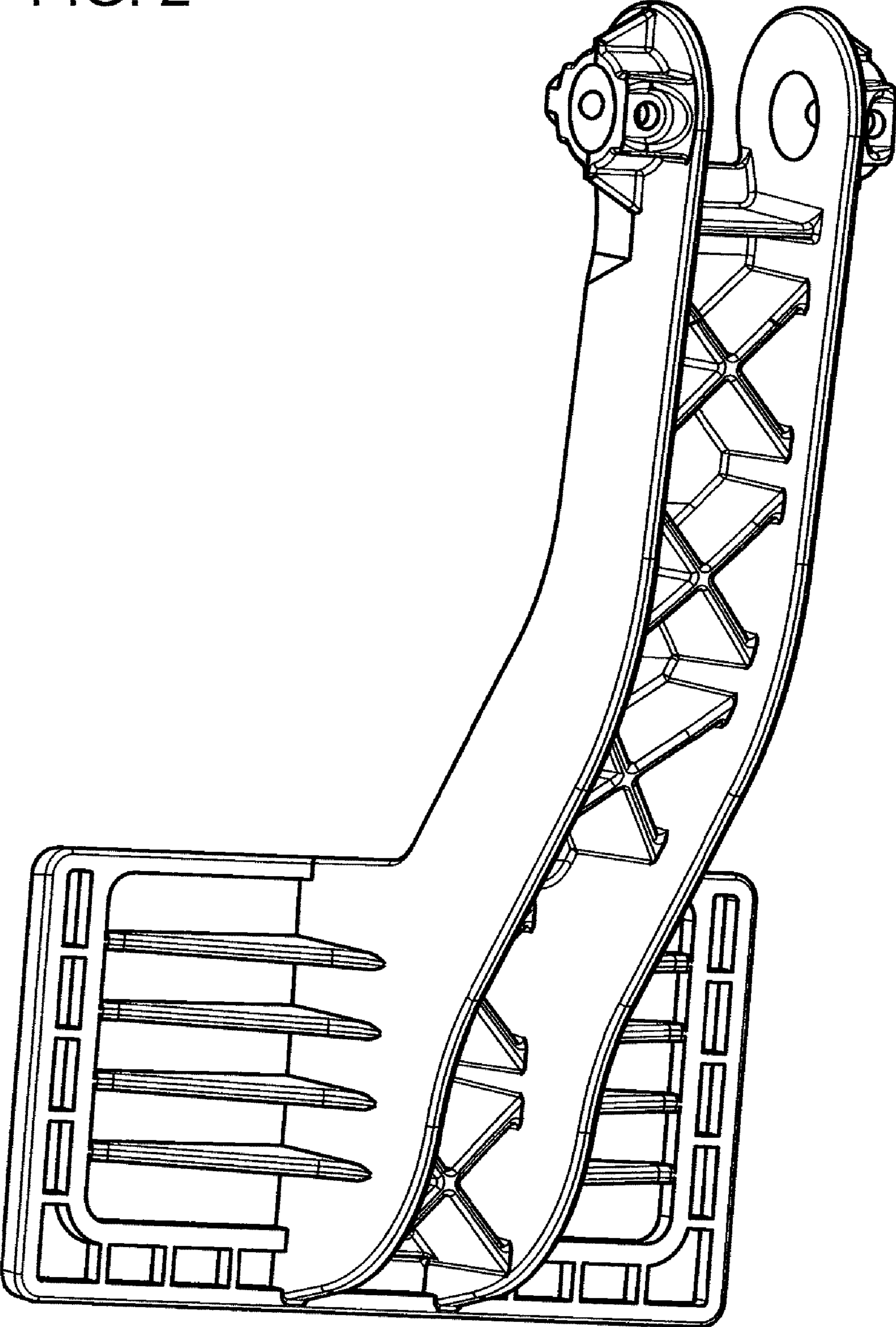


FIG. 3

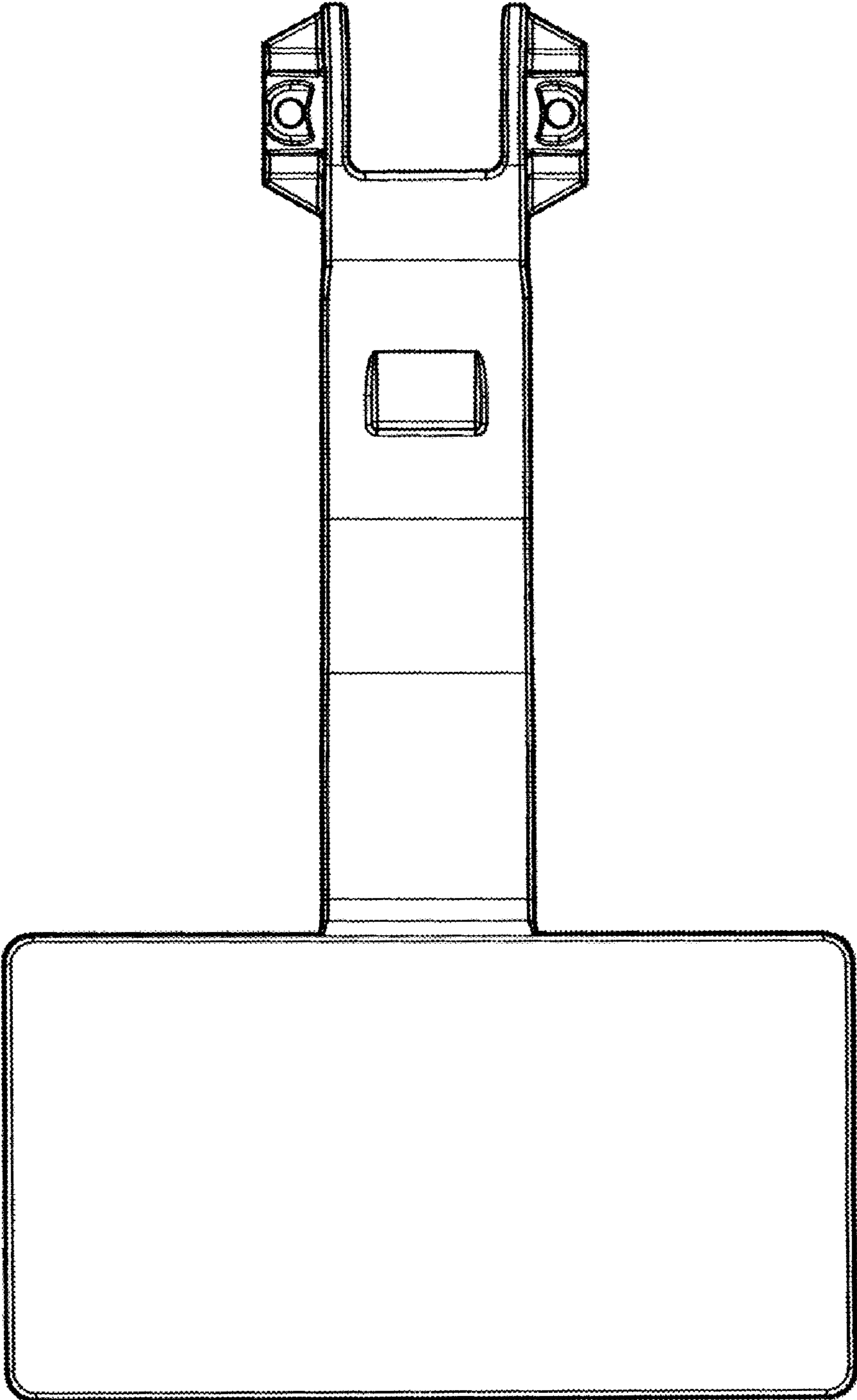


FIG. 4

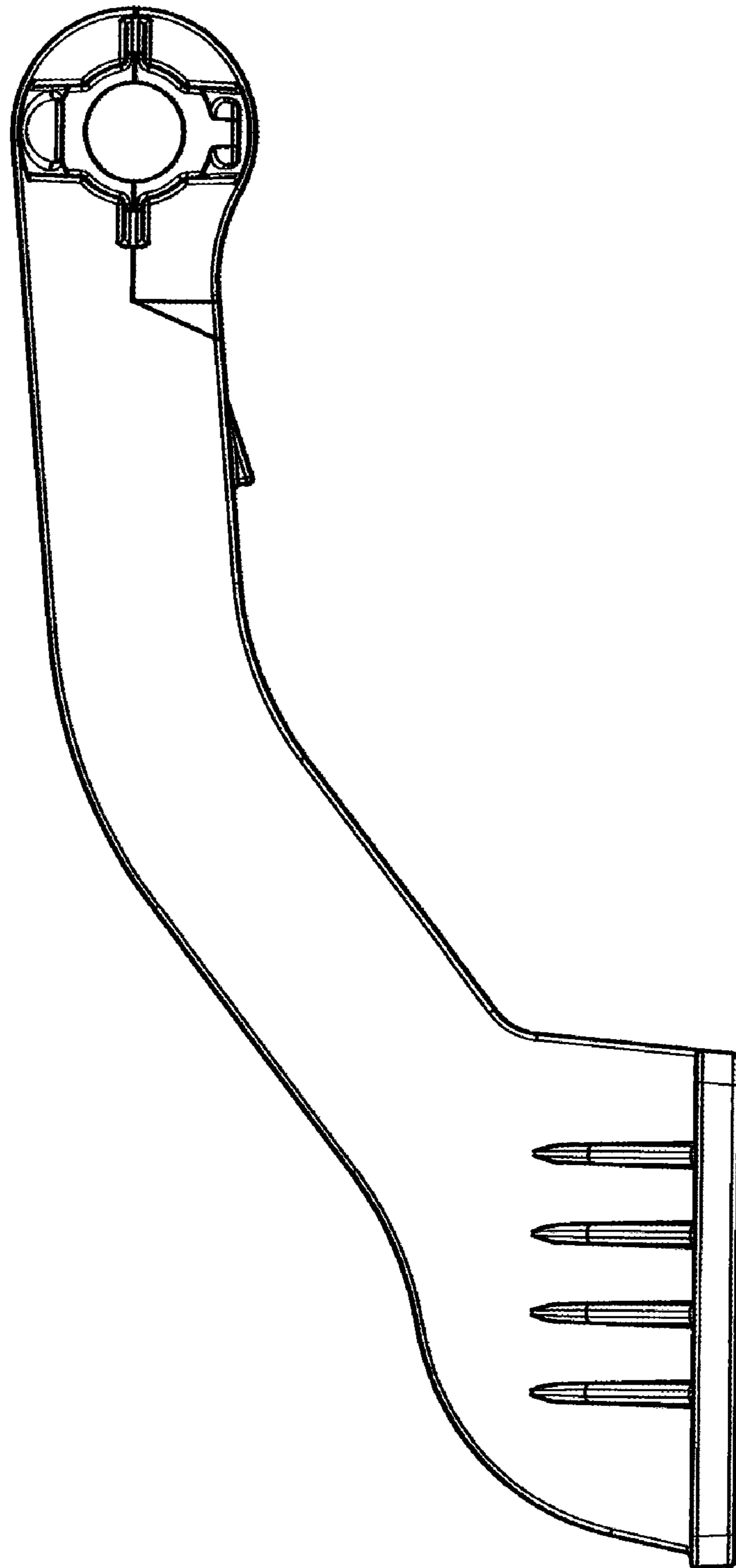


FIG. 5

