



US00D629336S

(12) **United States Design Patent**  
**Wakita et al.**

(10) **Patent No.:** **US D629,336 S**

(45) **Date of Patent:** **\*\* Dec. 21, 2010**

(54) **MOTORCYCLE OR MOTORCYCLE  
REPLICA**

(75) Inventors: **Nobutaka Wakita**, Wako (JP); **Yota Okamoto**, Wako (JP); **Teofilo Plaza**, Rome (IT)

(73) Assignee: **Honda Motor Co., Ltd.**, Tokyo (JP)

(\*\*) Term: **14 Years**

(21) Appl. No.: **29/354,772**

(22) Filed: **Jan. 28, 2010**

(30) **Foreign Application Priority Data**

Jul. 29, 2009 (JP) ..... 2009-017283

(51) **LOC (9) Cl.** ..... **12-11**

(52) **U.S. Cl.** ..... **D12/110**

(58) **Field of Classification Search** ..... D12/110;  
180/219, 220, 225, 229

See application file for complete search history.

(56) **References Cited**

**U.S. PATENT DOCUMENTS**

D593,909 S *	6/2009	Chiu et al.	.....	D12/110
D596,082 S *	7/2009	Ueno et al.	.....	D12/110
D601,458 S *	10/2009	Nagao	.....	D12/110
D611,390 S *	3/2010	Toriyama et al.	.....	D12/110
D615,000 S *	5/2010	Tako et al.	.....	D12/110

\* cited by examiner

*Primary Examiner*—Susan M Lee

*Assistant Examiner*—Linda G. Brooks

(74) *Attorney, Agent, or Firm*—Westerman, Hattori, Daniels & Adrian, LLP

(57) **CLAIM**

The ornamental design for a motorcycle or motorcycle replica, as shown and described.

**DESCRIPTION**

FIG. 1 is a front view of the motorcycle or motorcycle replica thereof;

FIG. 2 is a rear view thereof;

FIG. 3 is a plan view thereof;

FIG. 4 is a bottom view thereof;

FIG. 5 is a right side view thereof;

FIG. 6 is a left side view thereof;

FIG. 7 is a perspective view thereof, as seen from the right front side;

FIG. 8 is a perspective view thereof, as seen from the left front side;

FIG. 9 is a perspective view thereof, as seen from the right rear side; and,

FIG. 10 is a perspective view thereof, as seen from the left rear side.

The broken lines illustrate environmental structure and form no part of the claimed design.

**1 Claim, 5 Drawing Sheets**

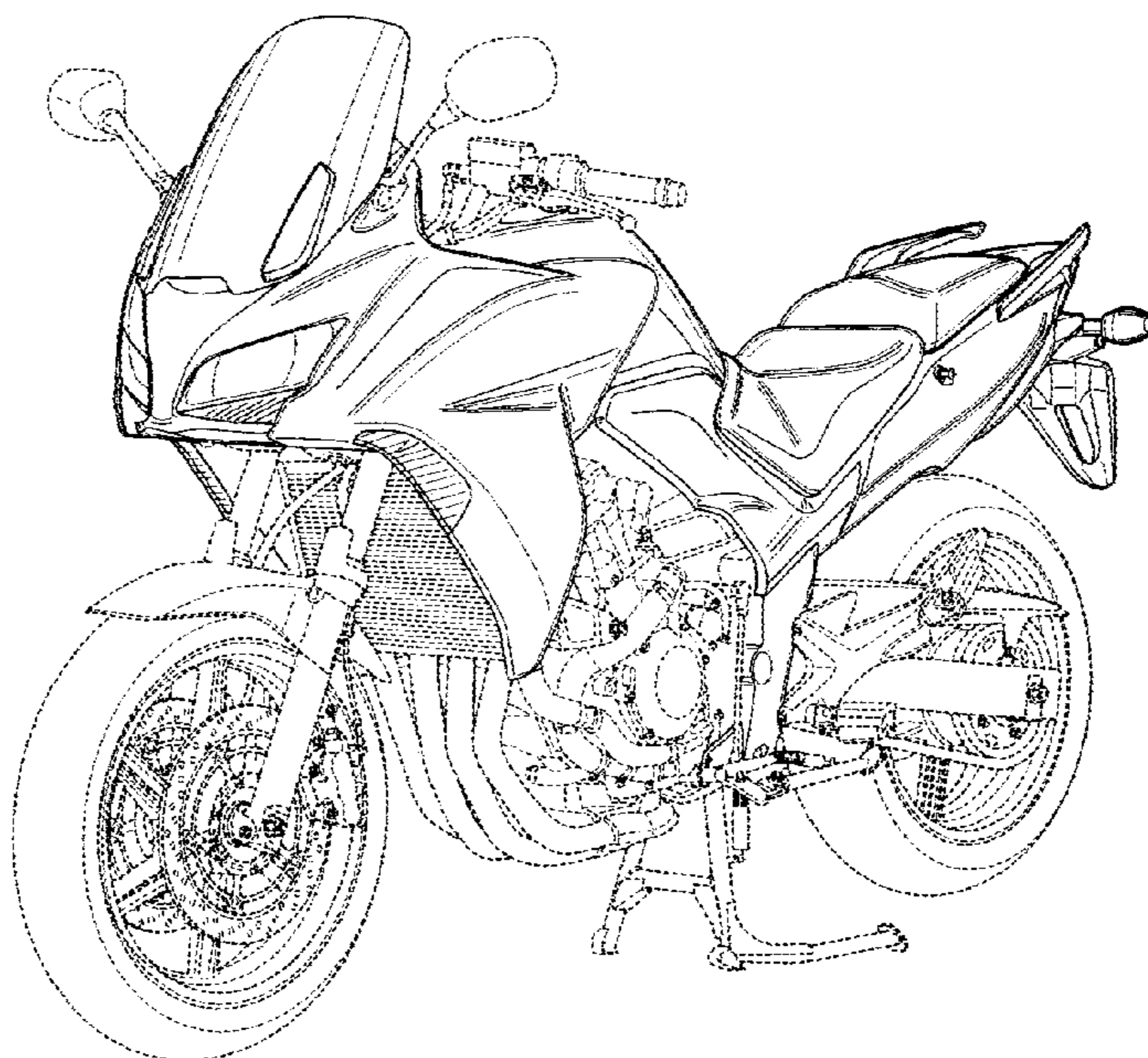
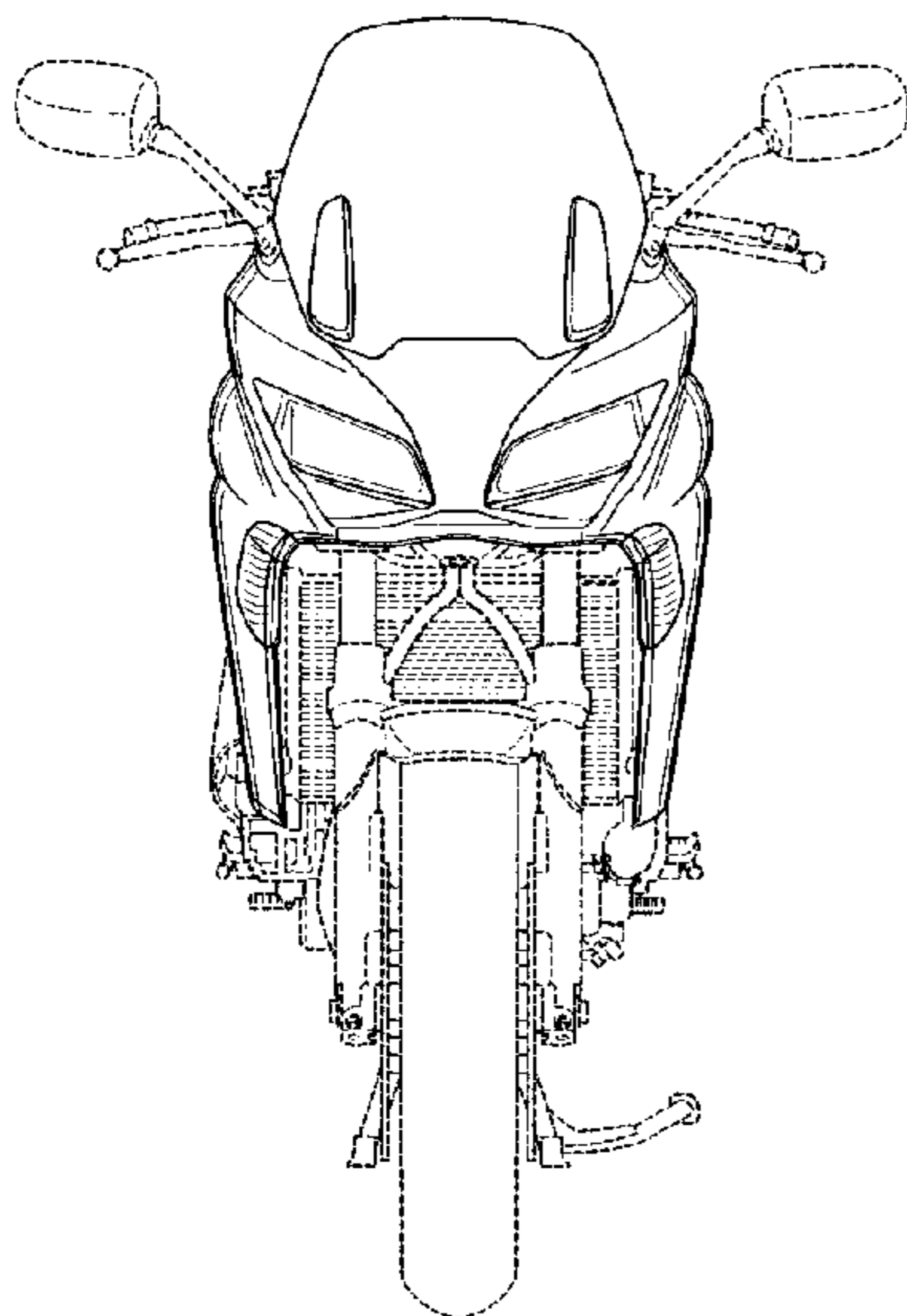


FIG.1

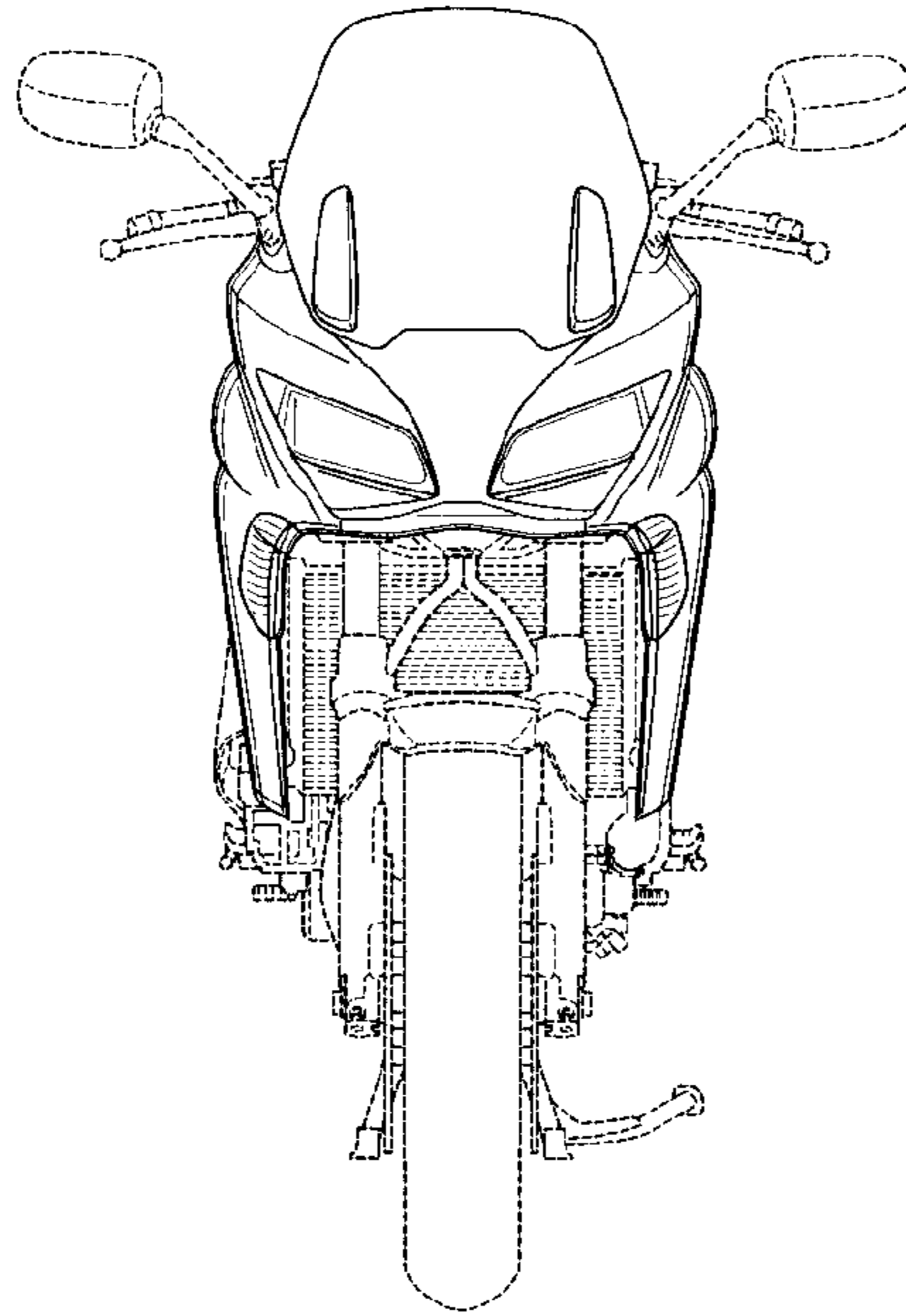


FIG.2

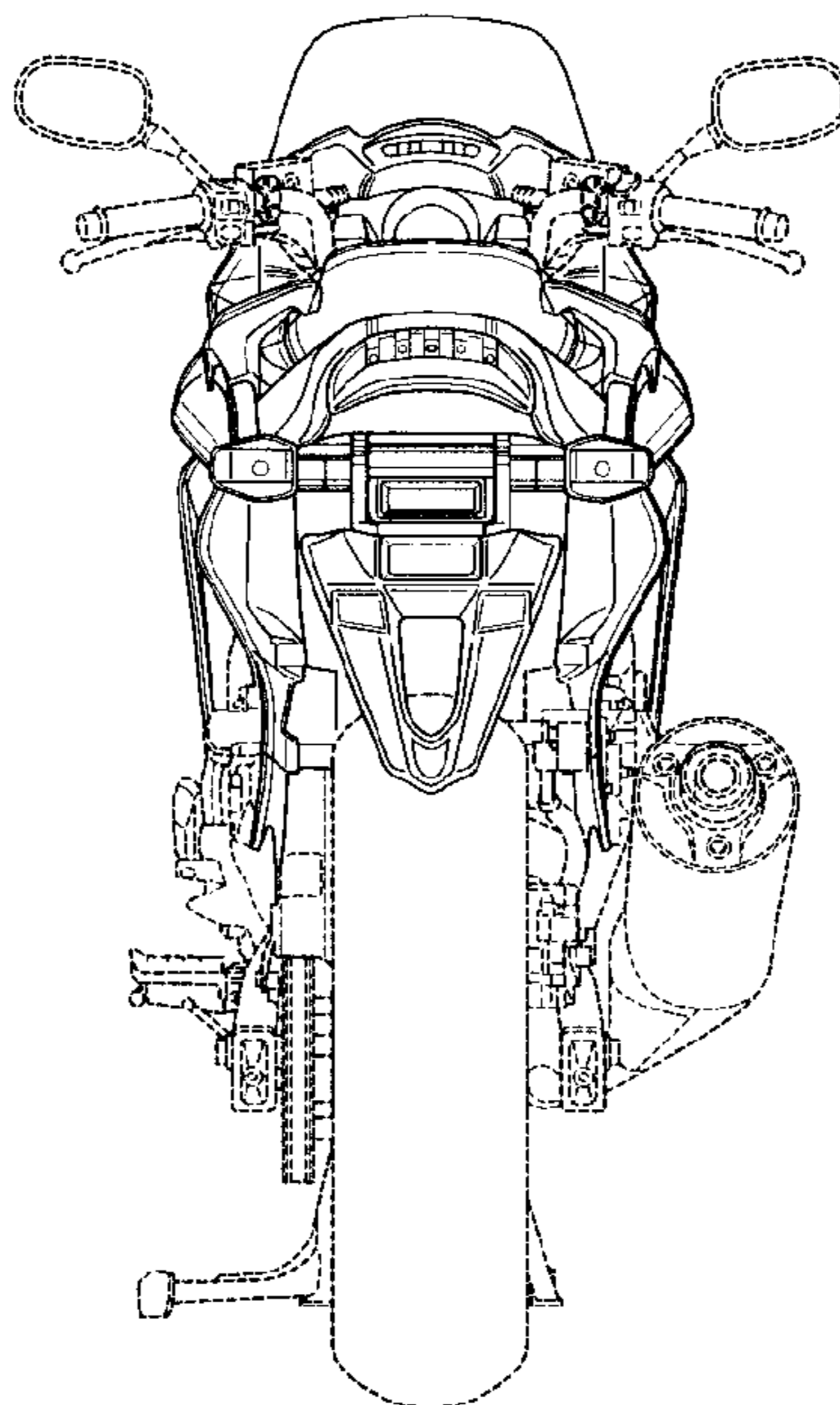


FIG.3

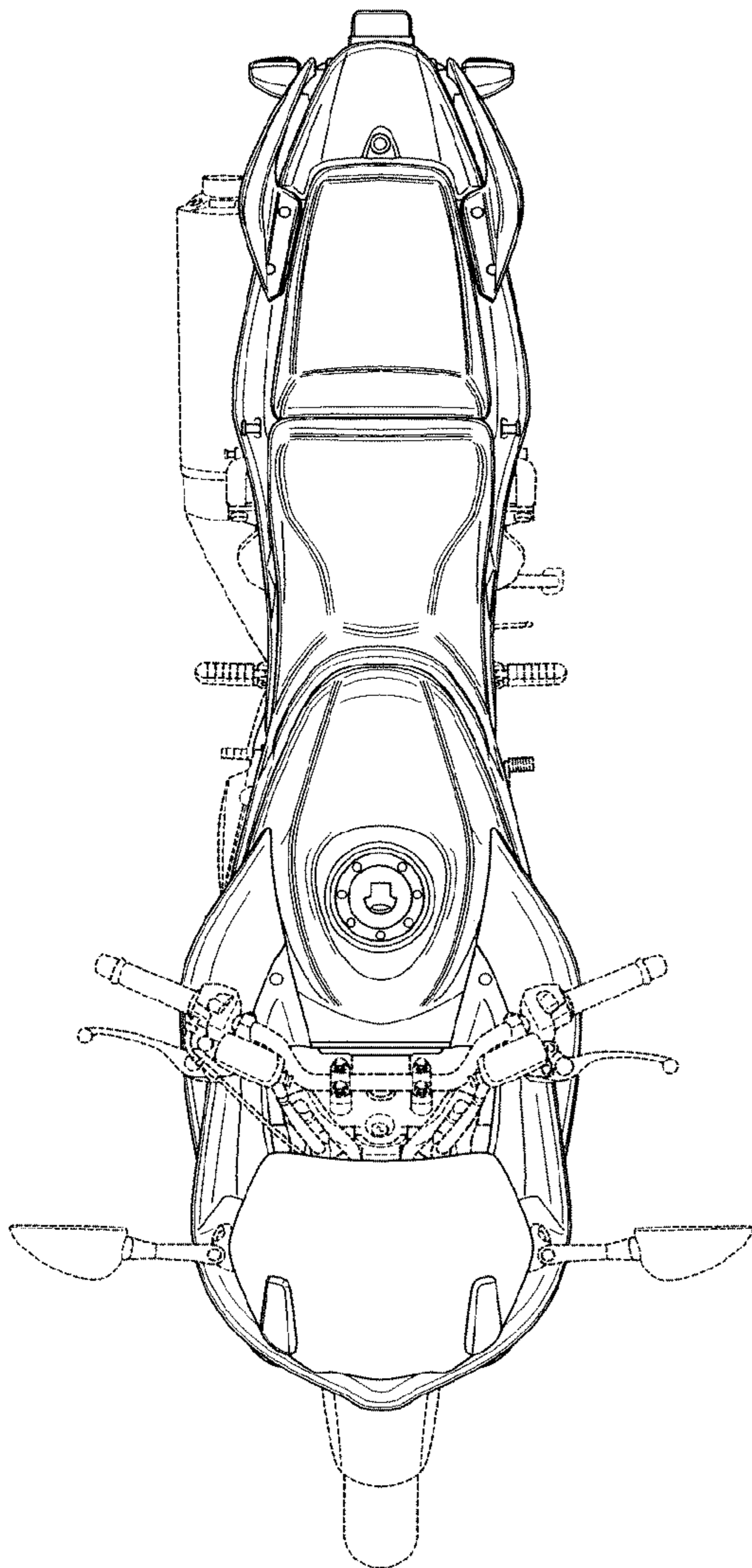


FIG.4

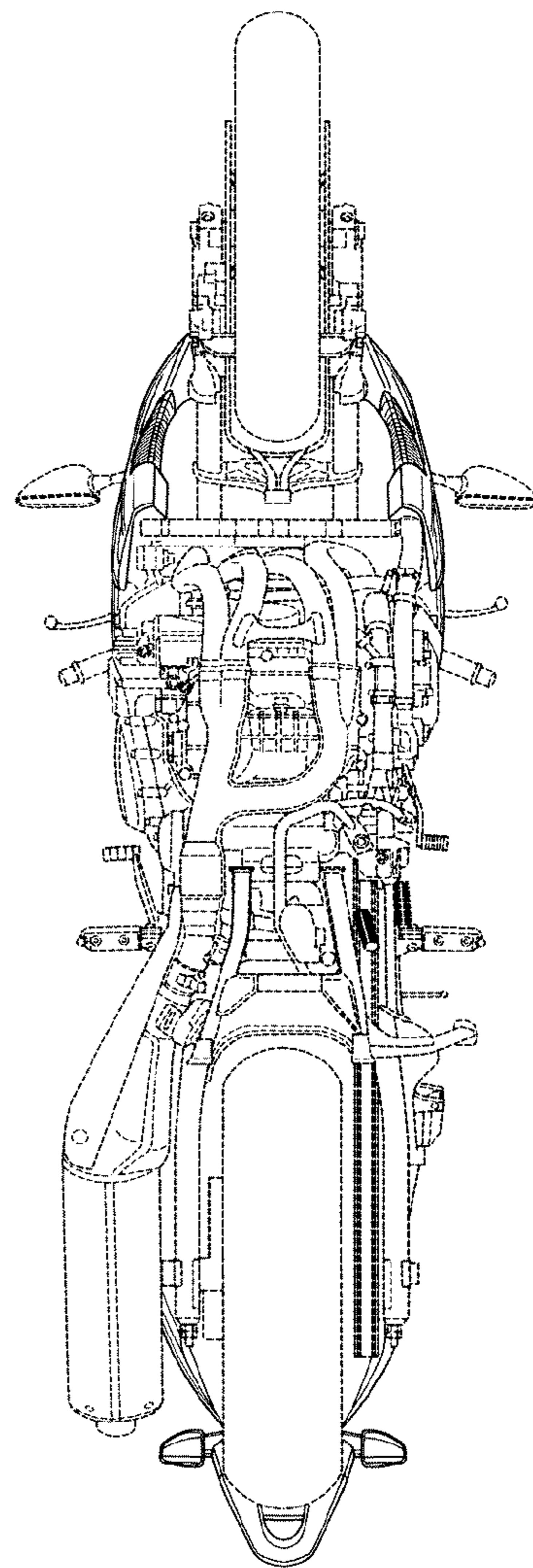


FIG.5

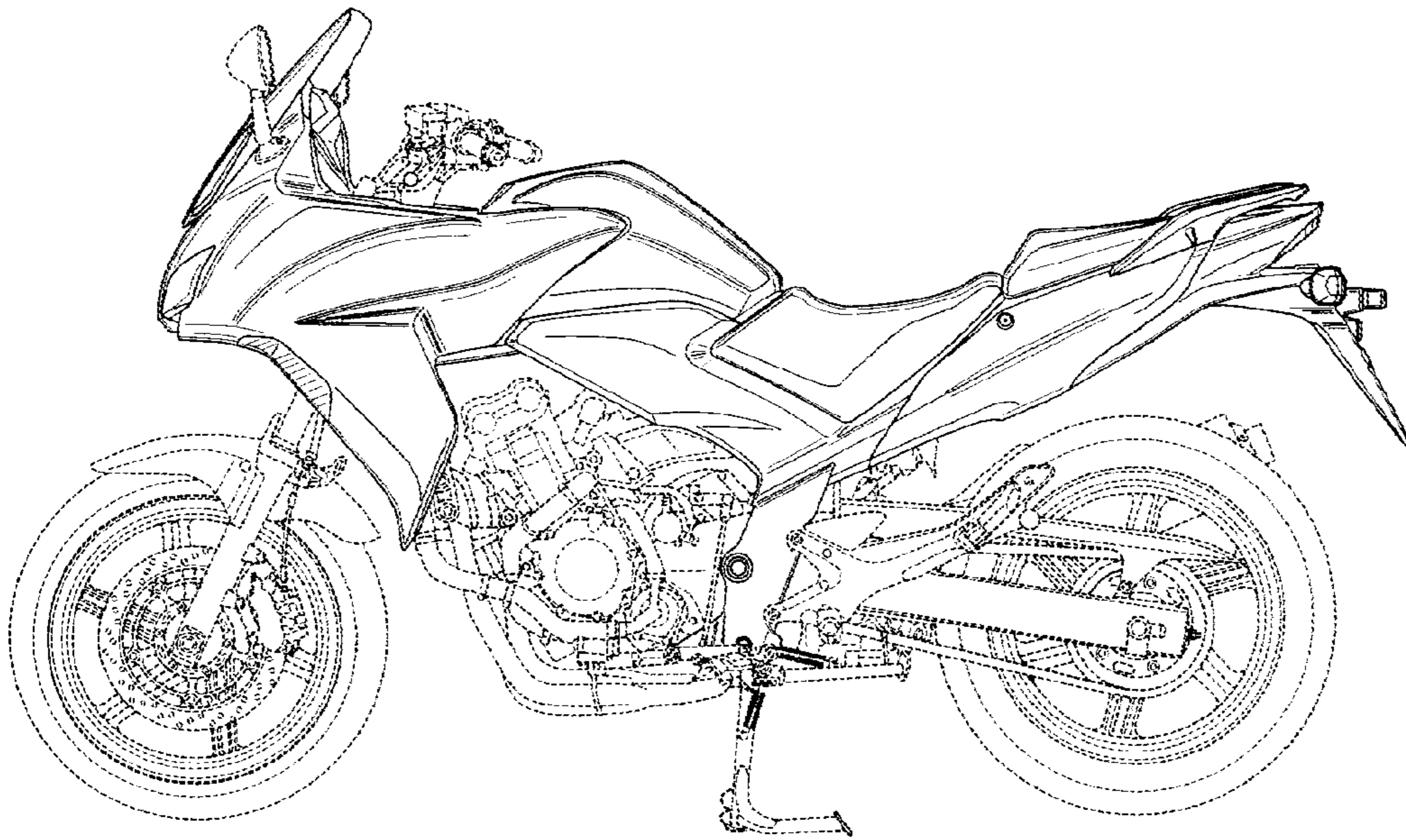


FIG.6

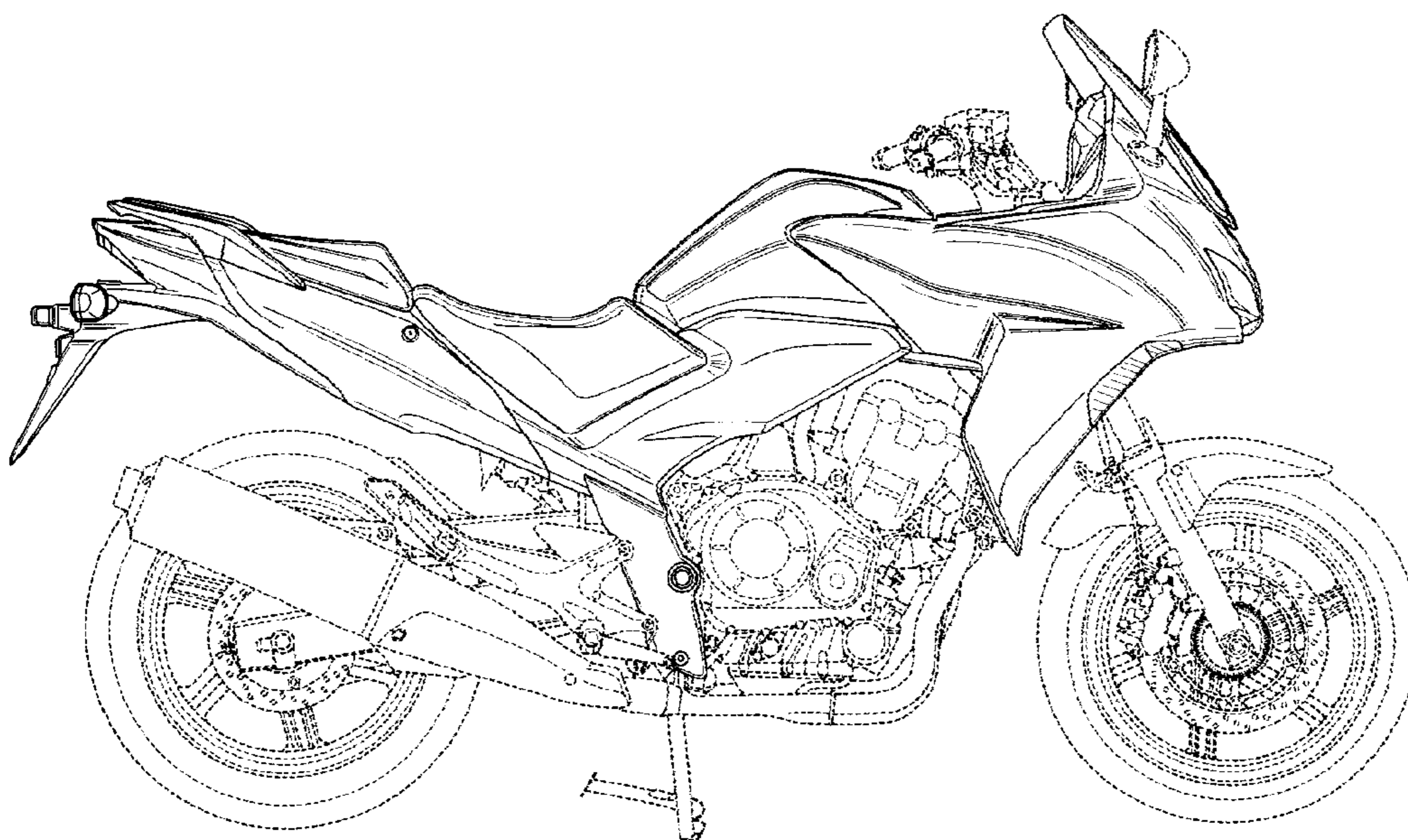


FIG.7

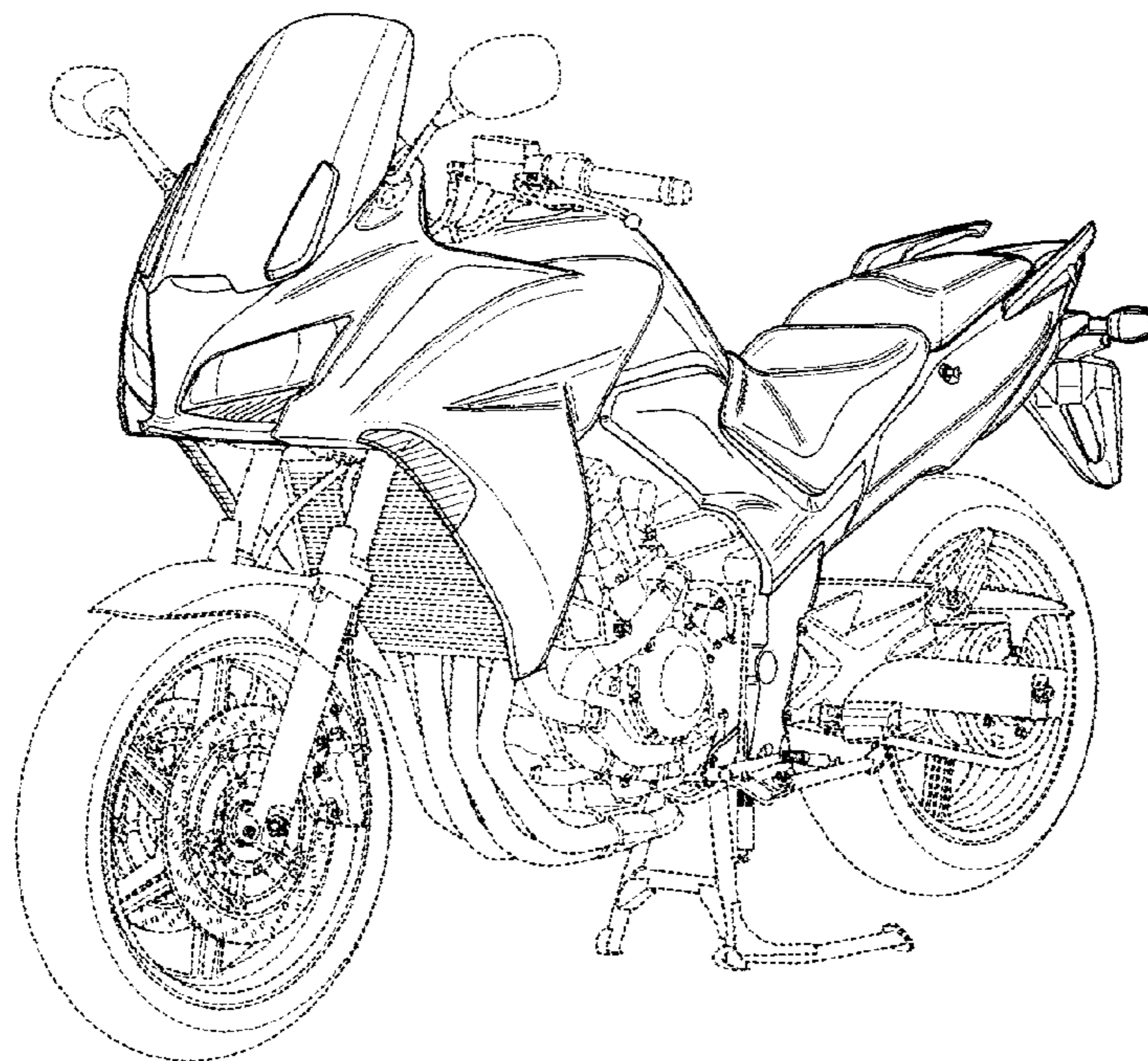


FIG.8

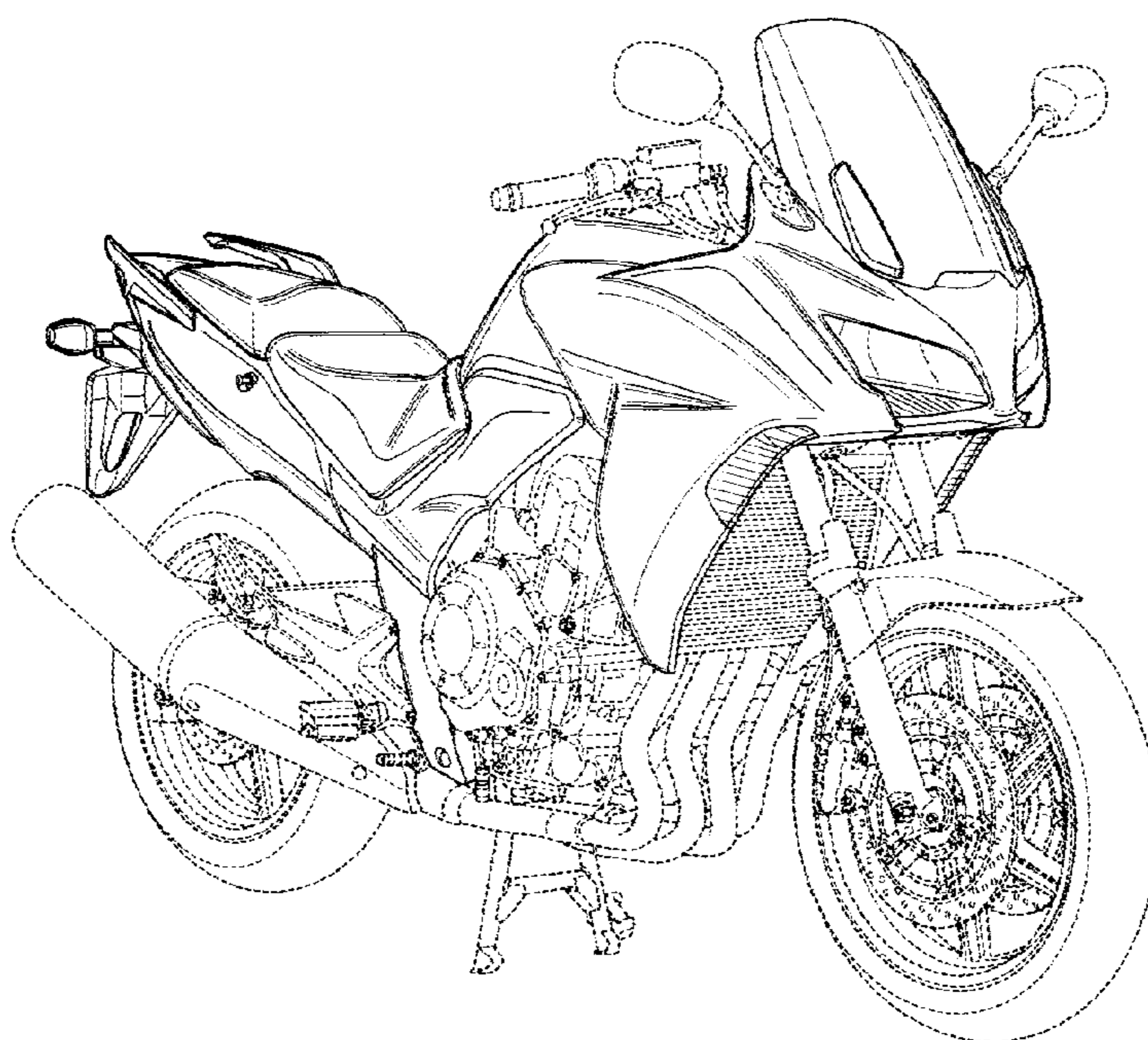


FIG.9

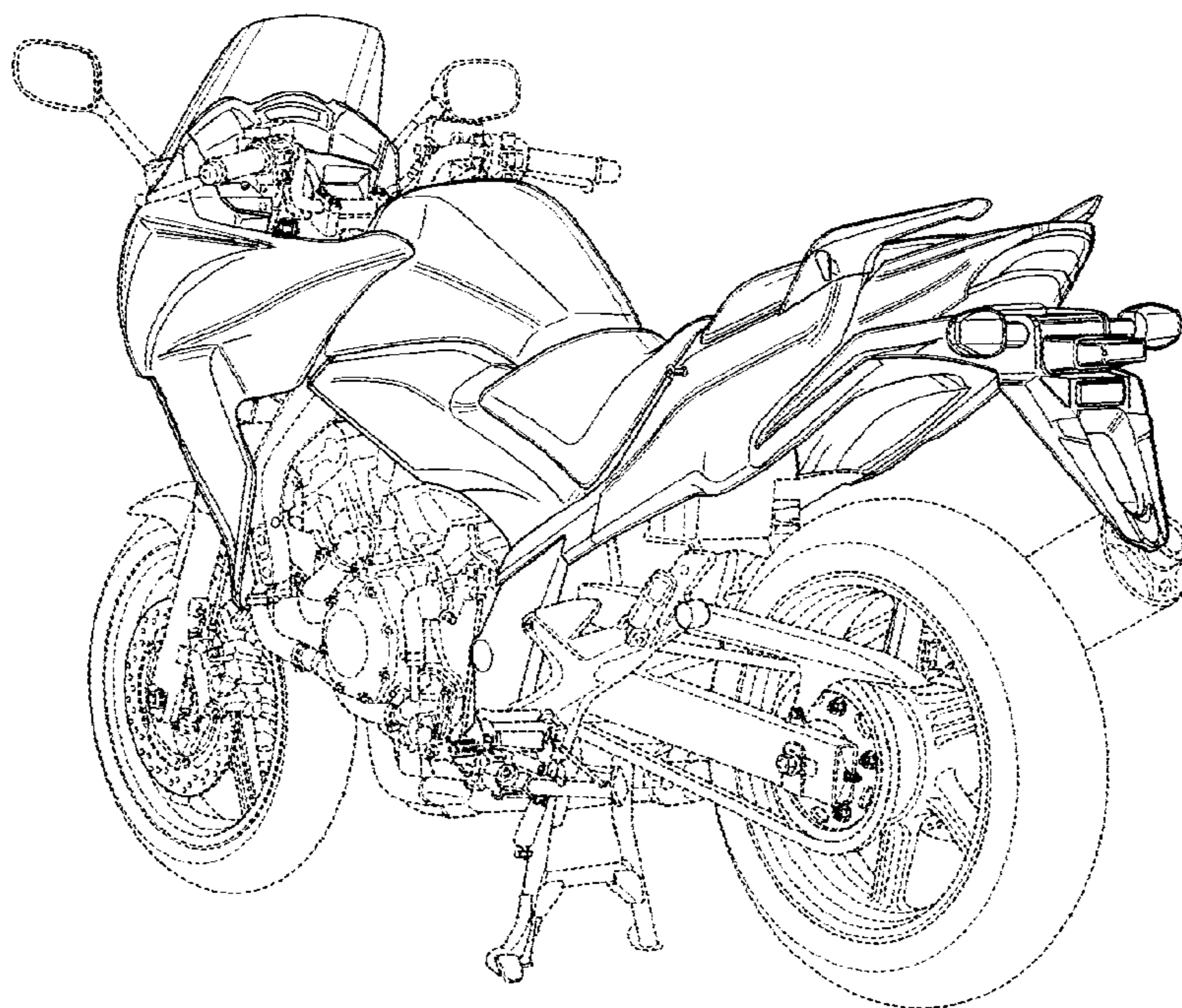


FIG.10

