



US00D629335S

(12) **United States Design Patent**
Shimomura

(10) **Patent No.:** **US D629,335 S**

(45) **Date of Patent:** **** Dec. 21, 2010**

(54) **FENDER FOR A TRANSPORT VEHICLE**

(75) Inventor: **Takashi Shimomura**, Takatsuki (JP)

(73) Assignee: **Kubota Corporation**, Osaka (JP)

(**) Term: **14 Years**

(21) Appl. No.: **29/301,568**

(22) Filed: **Mar. 6, 2008**

(51) **LOC (9) Cl.** **12-13**

(52) **U.S. Cl.** **D12/14; D12/181**

(58) **Field of Classification Search** D12/87,
D12/86, 1, 433, 15, 16, 107, 82, 88, 89, 90,
D12/91, 92, 93, 196, 190, 400, 173, 301,
D12/530, 98, 14; D15/30; D21/803; 180/233,
180/908; 280/DIG. 5, 183, 184, 185, 186,
280/28, 37.7

See application file for complete search history.

(56) **References Cited**

U.S. PATENT DOCUMENTS

D482,992 S * 12/2003 Hattori et al. D12/184
D504,638 S * 5/2005 Tanaka et al. D12/14
D511,317 S * 11/2005 Tanaka et al. D12/1
D548,150 S * 8/2007 Woodard et al. D12/173
D555,036 S * 11/2007 Eck D12/87

D578,934 S * 10/2008 Tanaka et al. D12/14

D584,661 S * 1/2009 Tanaka et al. D12/107

D586,694 S * 2/2009 Huang et al. D12/14

D592,998 S * 5/2009 Woodard et al. D12/14

D604,201 S * 11/2009 Kawaguchi et al. D12/14

D606,900 S * 12/2009 Flores D12/87

* cited by examiner

Primary Examiner—T. Chase Nelson

Assistant Examiner—Ania K Dworzecka

(74) *Attorney, Agent, or Firm*—The Webb Law Firm

(57) **CLAIM**

The ornamental design for a fender for a transport vehicle, as shown and described.

DESCRIPTION

FIG. 1 is a left side elevation view of the transport vehicle showing our new design;

FIG. 2 is a rear side elevation view thereof;

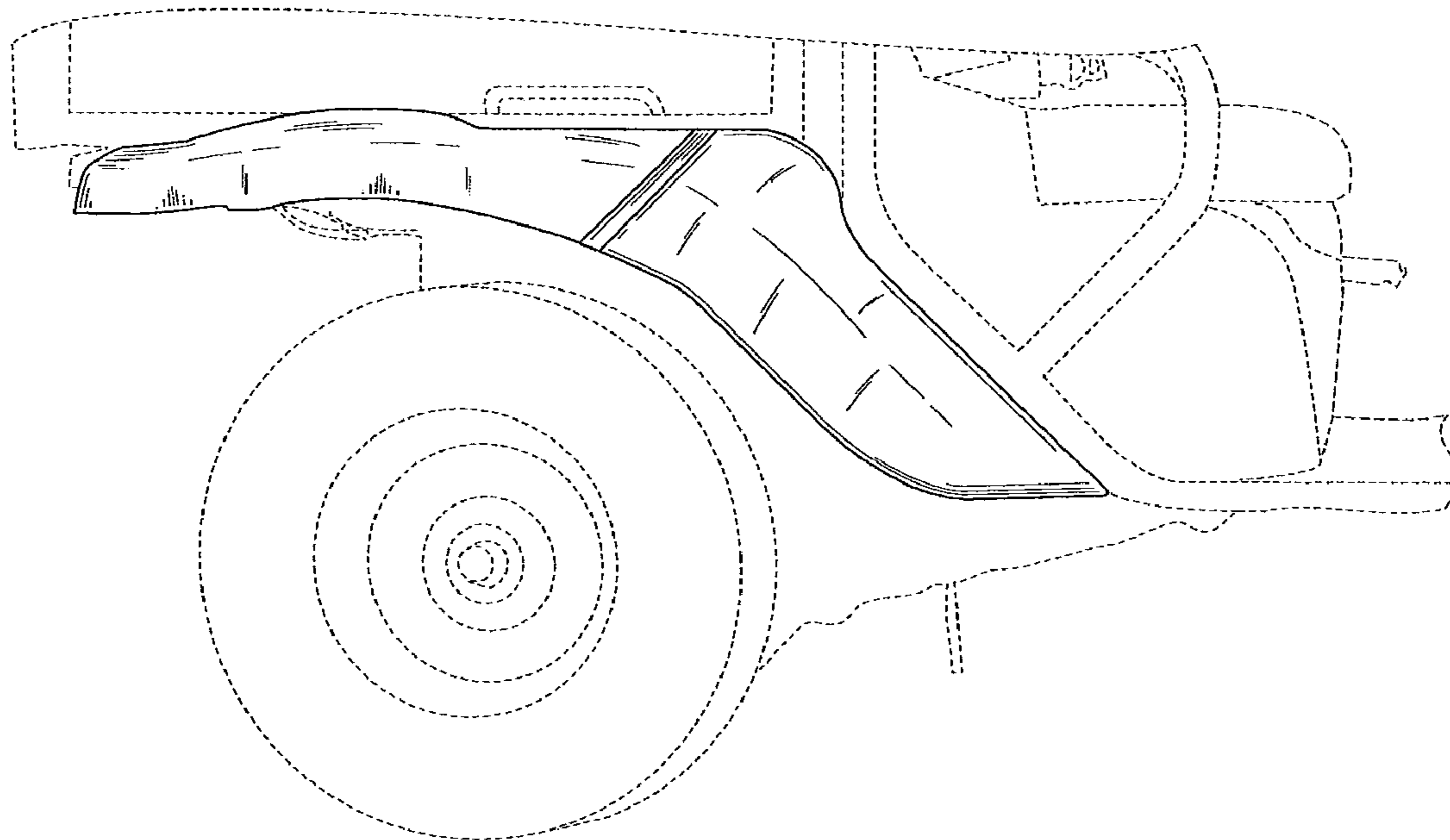
FIG. 3 is a top plan view thereof;

FIG. 4 is a left front perspective view thereof; and,

FIG. 5 is an enlarged left side elevation view.

The broken lines shown in the views depict unclaimed subject matter only and form no part of the claimed design.

1 Claim, 5 Drawing Sheets



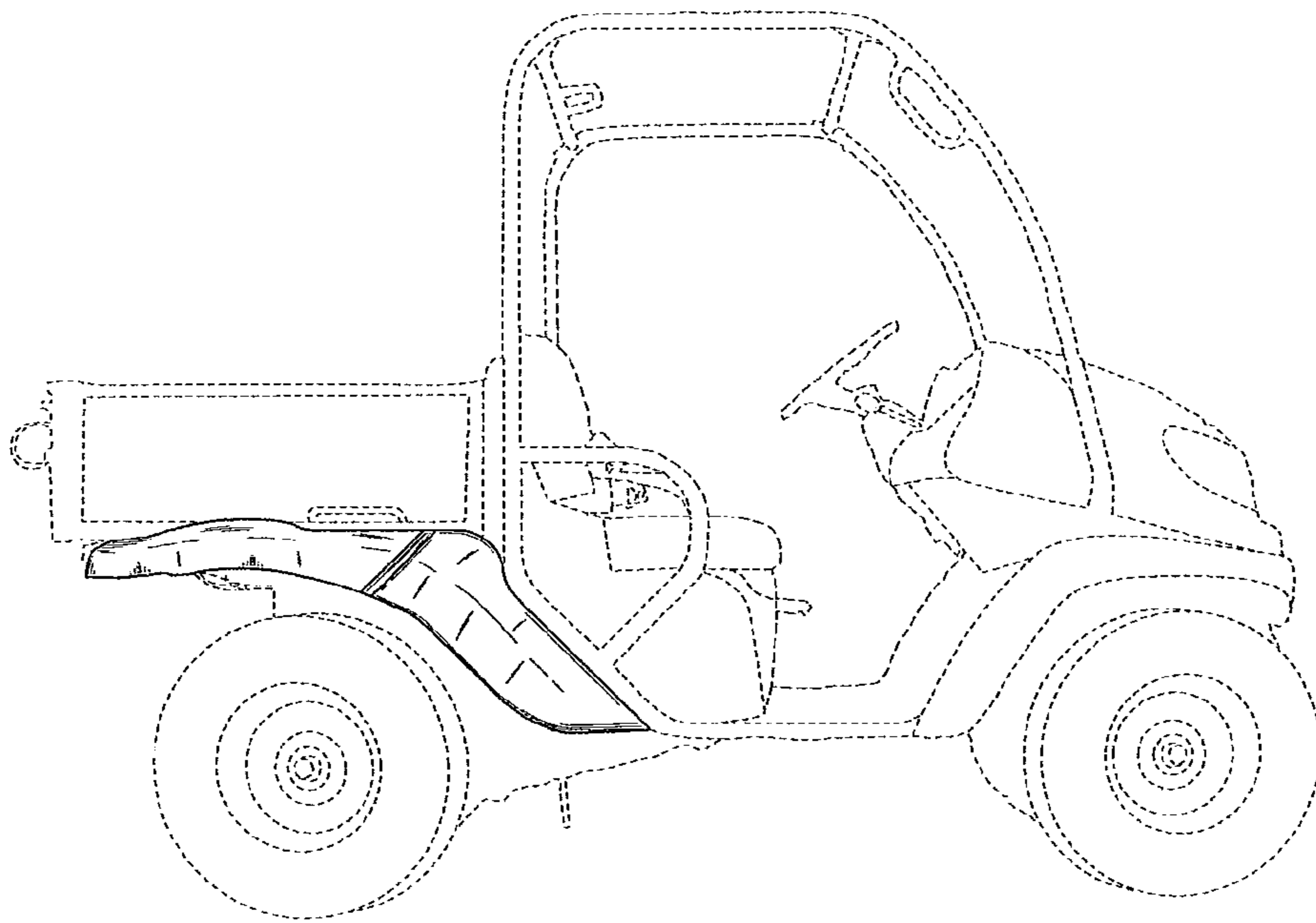


FIG. 1

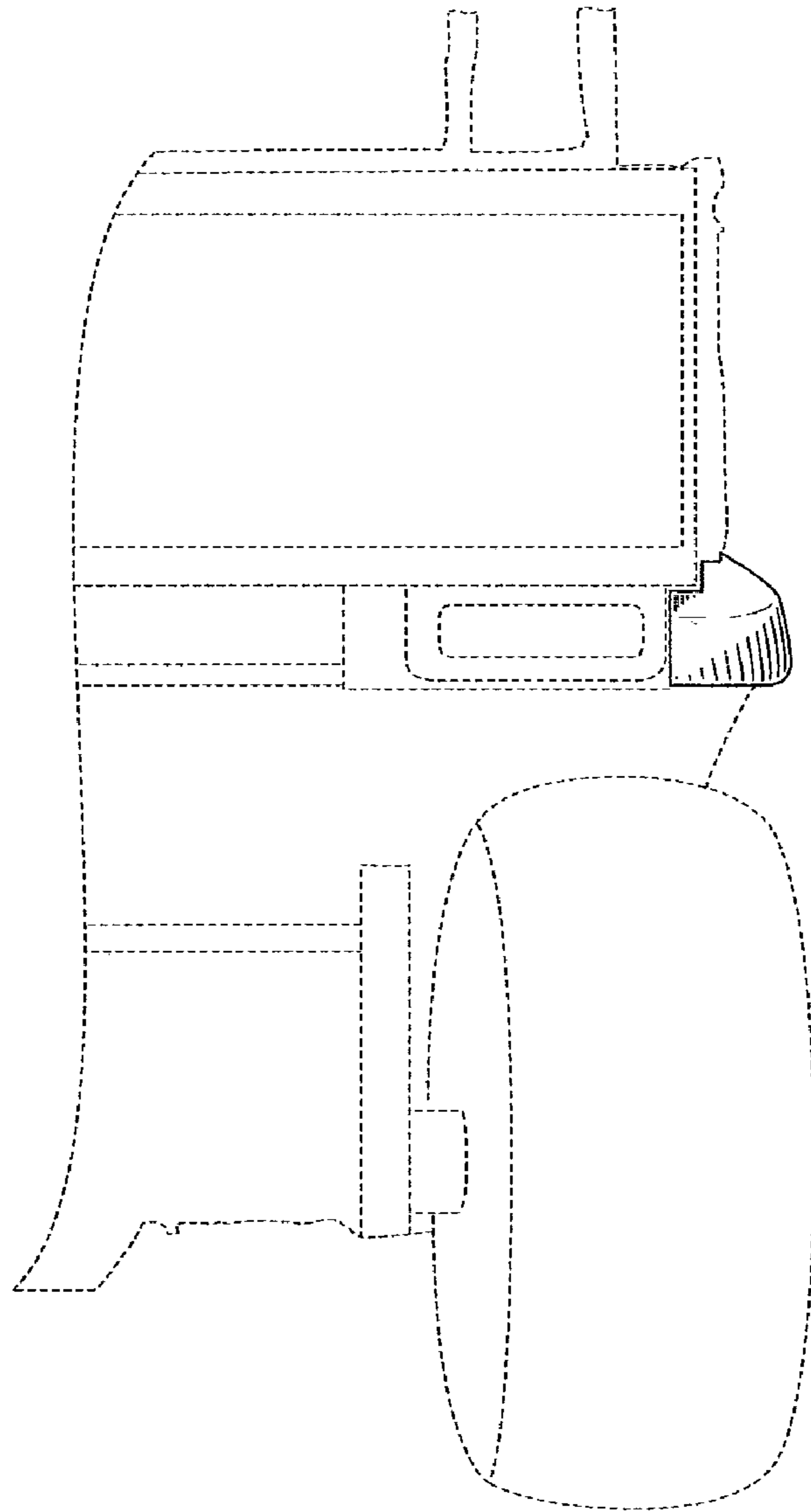


FIG. 2

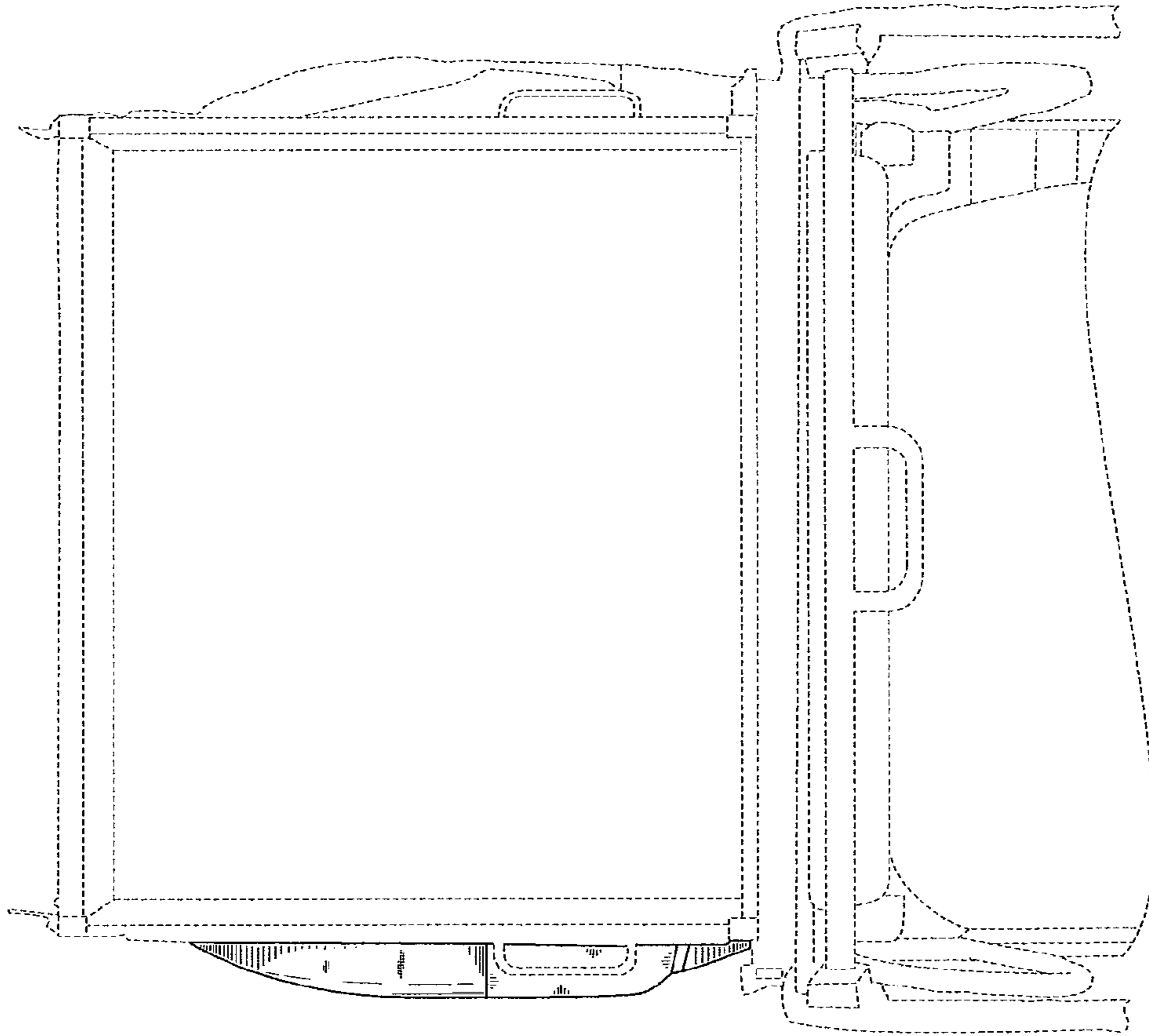


FIG. 3

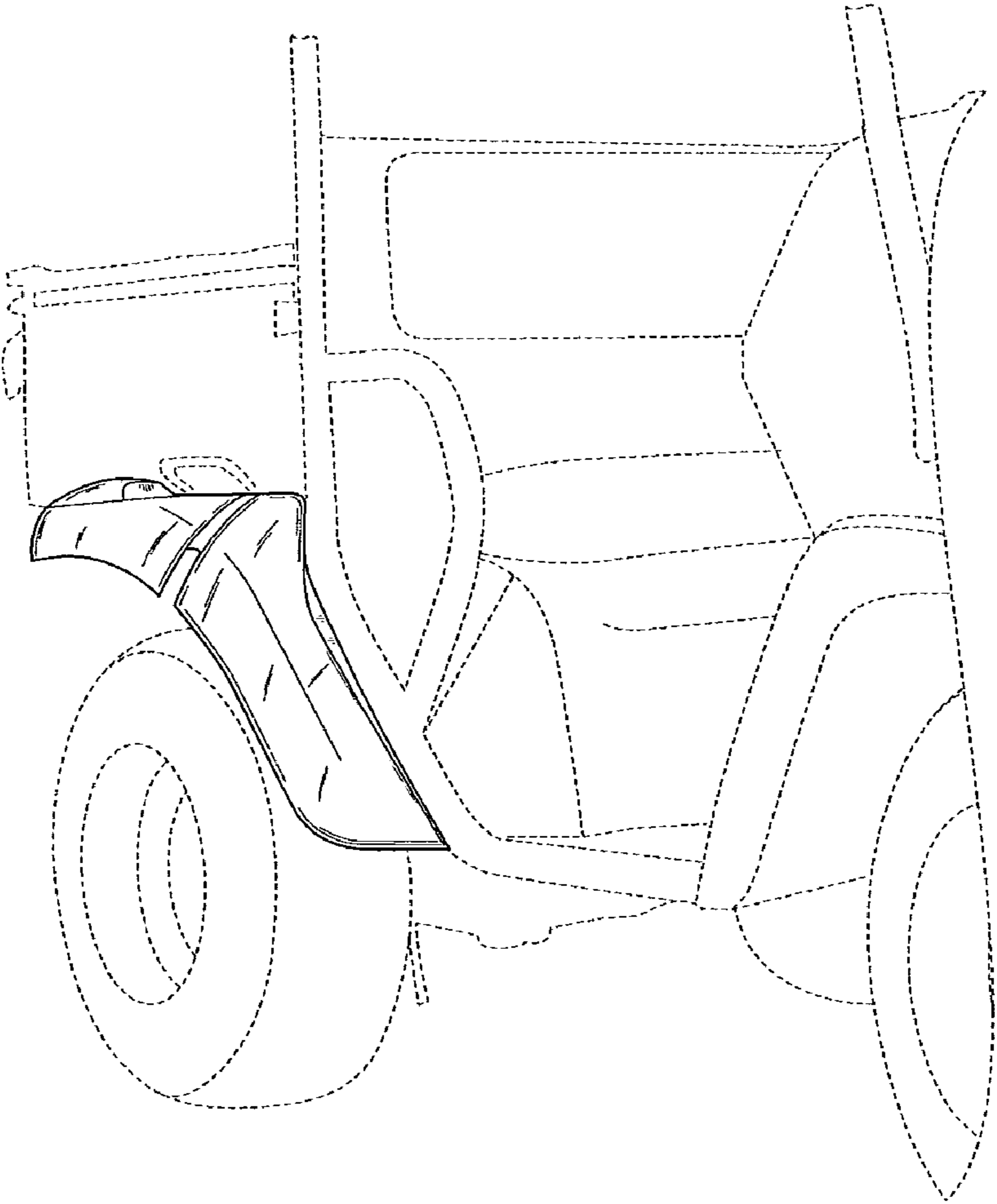


FIG. 4

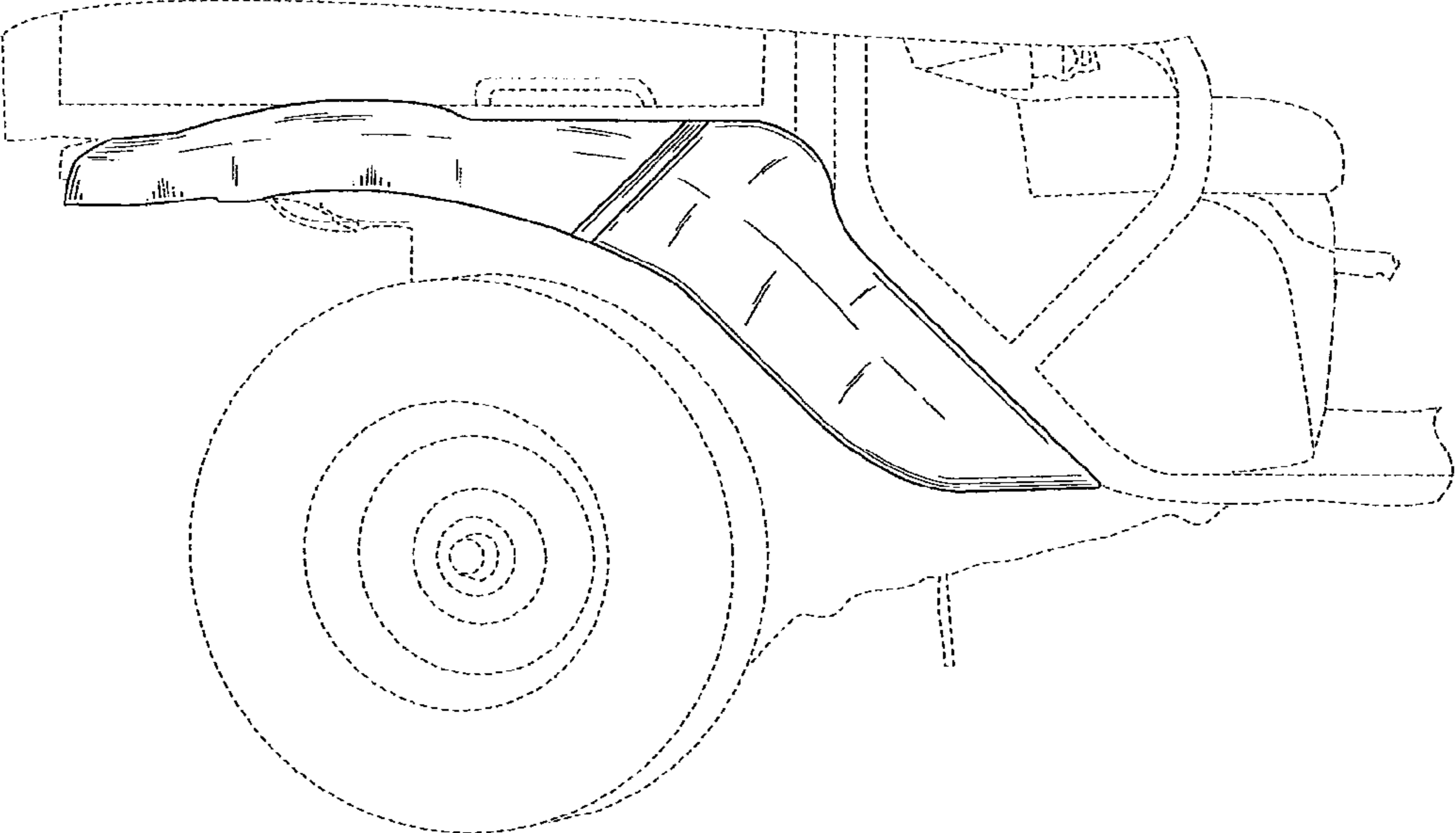


FIG.5