



US00D629334S

(12) **United States Design Patent**
Petit

(10) **Patent No.:** **US D629,334 S**

(45) **Date of Patent:** **** Dec. 21, 2010**

(54) **SNOWMOBILE FAIRING ASSEMBLY**

(75) Inventor: **Philippe Petit**, Orford (CA)

(73) Assignee: **BRP Finland Oy**, Rovaniemi (FI)

(**) Term: **14 Years**

(21) Appl. No.: **29/361,093**

(22) Filed: **May 5, 2010**

(51) **LOC (9) Cl.** **12-14**

(52) **U.S. Cl.** **D12/7**

(58) **Field of Classification Search** D12/7,
D12/110, 111, 9, 112, 307, 400, 86, 85, 88;
D21/533; 180/182, 190, 184-186, 9.25,
180/180, 219, 193, 194; 280/845

See application file for complete search history.

(56) **References Cited**

U.S. PATENT DOCUMENTS

D403,273	S	*	12/1998	Cadotte et al.	D12/7
D505,889	S	*	6/2005	Girouard et al.	D12/7
D512,662	S	*	12/2005	Deluy	D12/7
D541,192	S	*	4/2007	Jokelainen	D12/7
D552,506	S	*	10/2007	Deluy	D12/7
D580,824	S	*	11/2008	Longpre et al.	D12/7
D592,098	S	*	5/2009	Petit	D12/7
D596,530	S	*	7/2009	Petit et al.	D12/7
D599,247	S	*	9/2009	Longpre et al.	D12/7

* cited by examiner

Primary Examiner—T. Chase Nelson
Assistant Examiner—Ania K Dworzecka

(74) *Attorney, Agent, or Firm*—Osler, Hoskin & Harcourt LLP

(57) **CLAIM**

The ornamental design for a snowmobile fairing assembly, as shown and described.

DESCRIPTION

FIG. 1 is a perspective view taken from a front, left side of a snowmobile fairing assembly according to my design;

FIG. 2 is a perspective view taken from a rear, left side thereof;

FIG. 3 is a perspective view taken from a front, right side thereof;

FIG. 4 is a perspective view taken from a rear, right side thereof;

FIG. 5 is a left side elevation view thereof;

FIG. 6 is a top plan view thereof;

FIG. 7 is a front elevation view thereof;

FIG. 8 is a rear elevation view thereof;

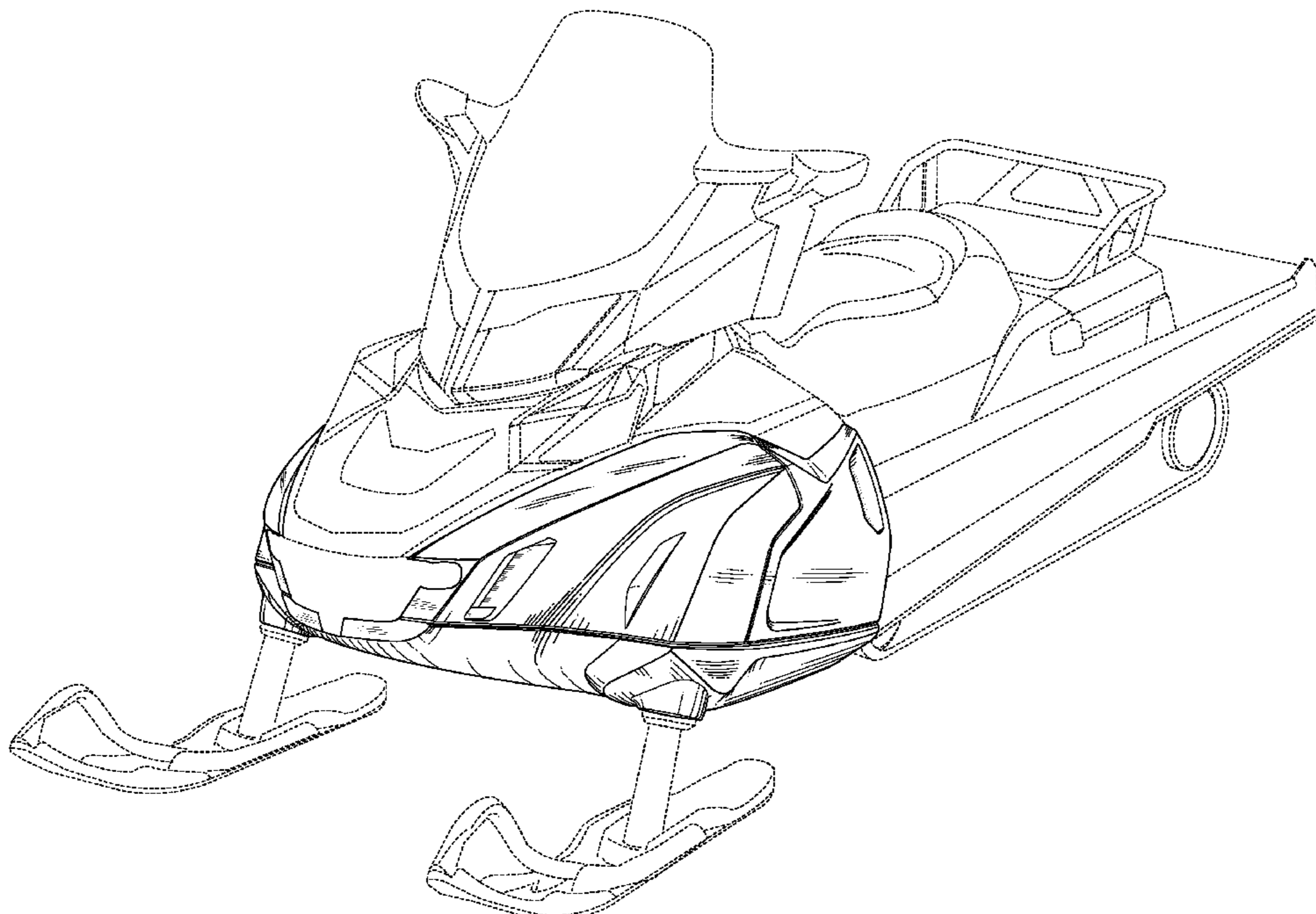
FIG. 9 is a right side elevation view thereof;

FIG. 10 is a bottom plan view thereof; and,

FIG. 11 is a perspective view taken from a front, left side thereof shown on a snowmobile shown in dotted lines.

Throughout the Figures, where shown: (i) the dotted lines showing a snowmobile are for illustrative purposes only and do not form part of the claimed design; (ii) the dotted/dashed lines illustrate unclaimed boundaries of surfaces claimed as part of the design; and (iii) the unshaded surfaces do not form part of the claimed design.

1 Claim, 6 Drawing Sheets



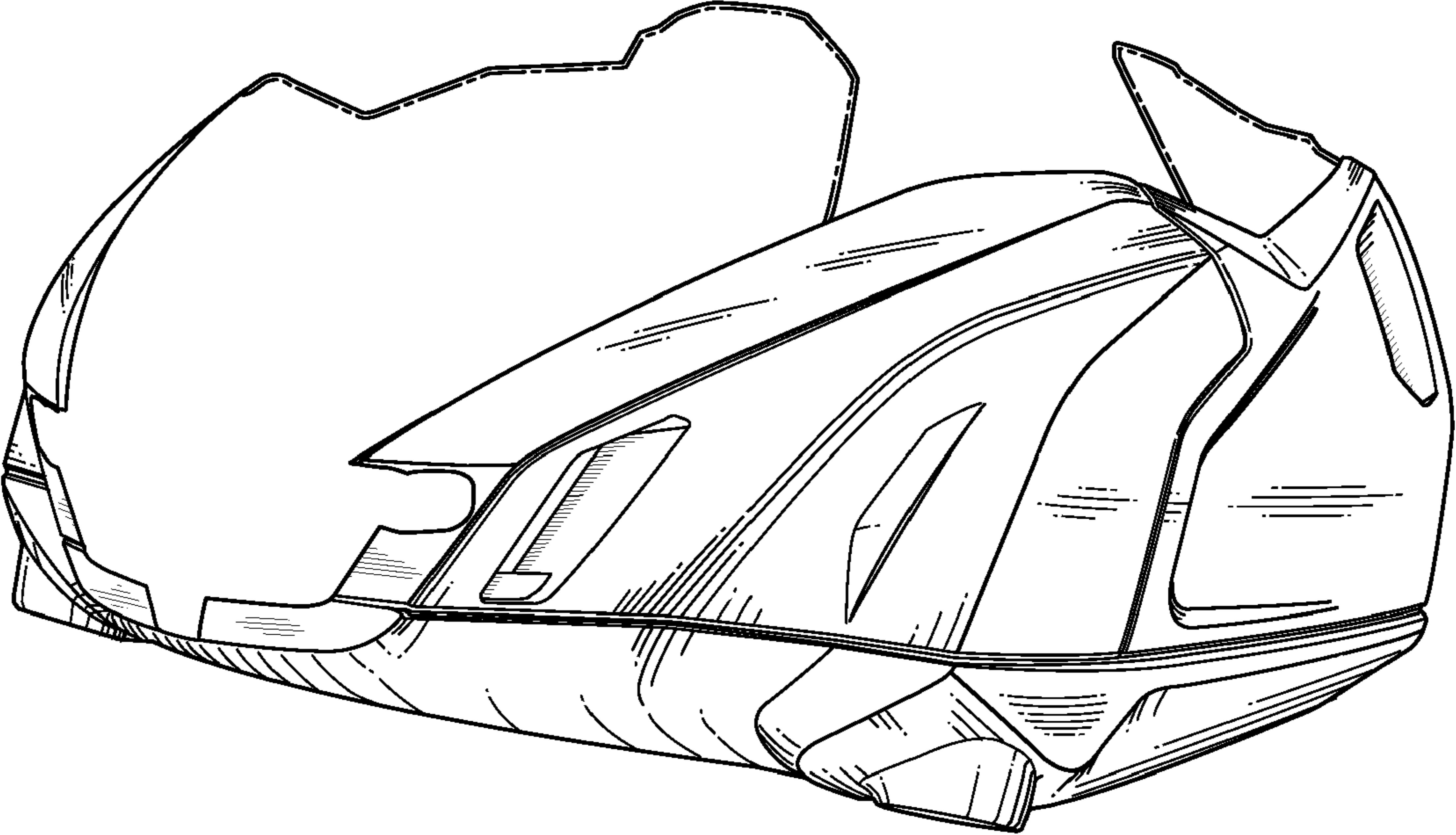


Fig.1

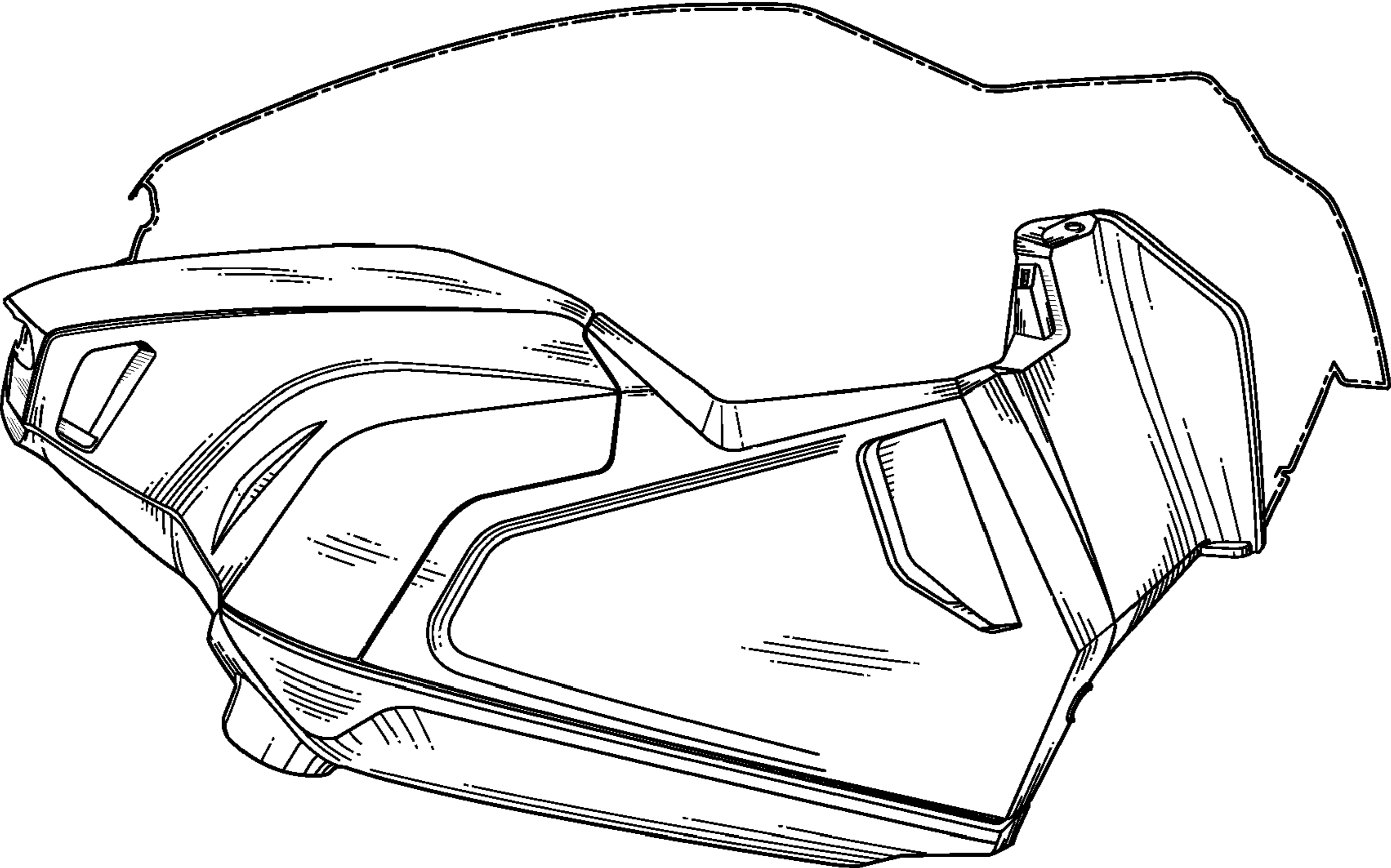


Fig.2

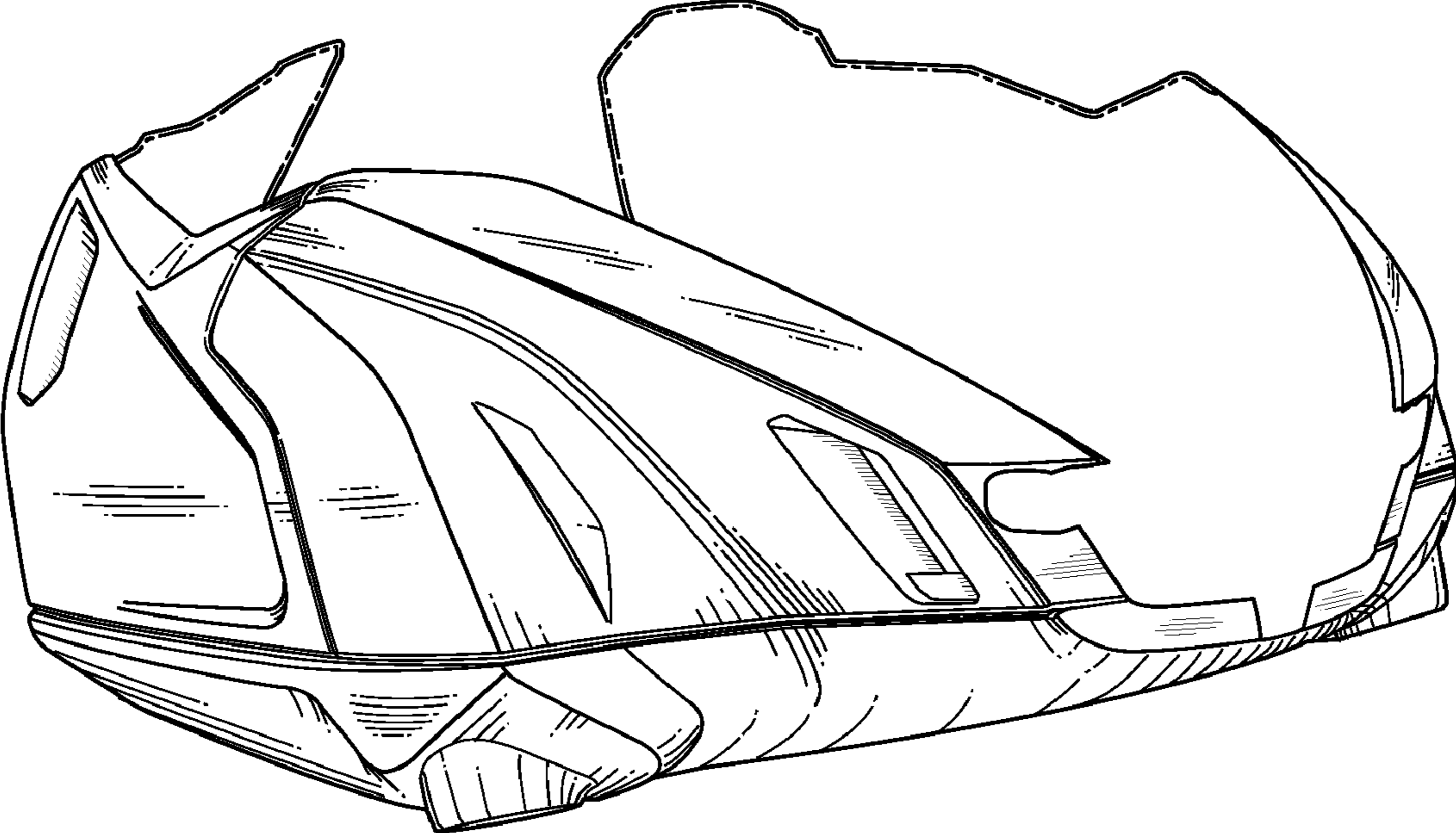


Fig.3

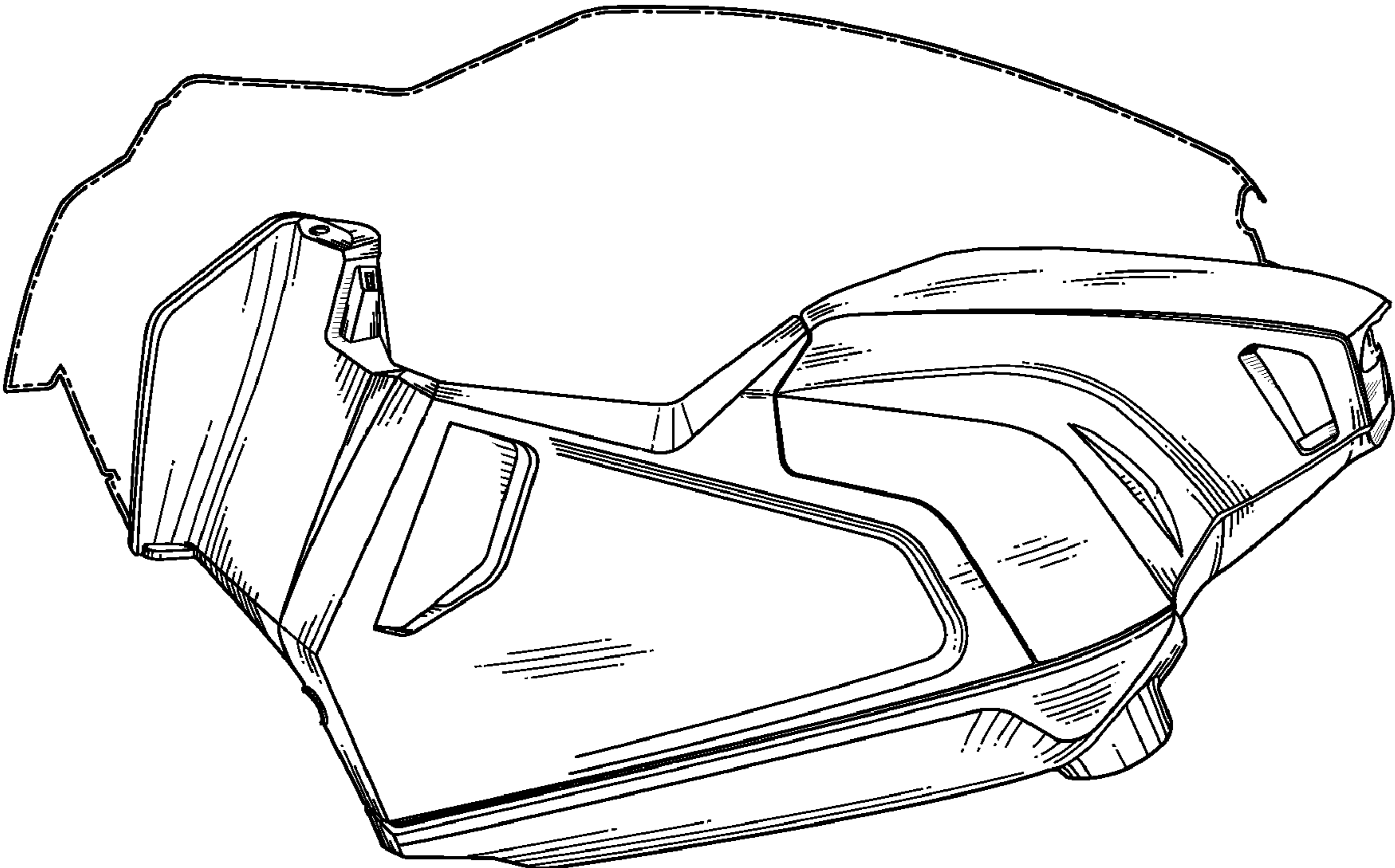


Fig.4

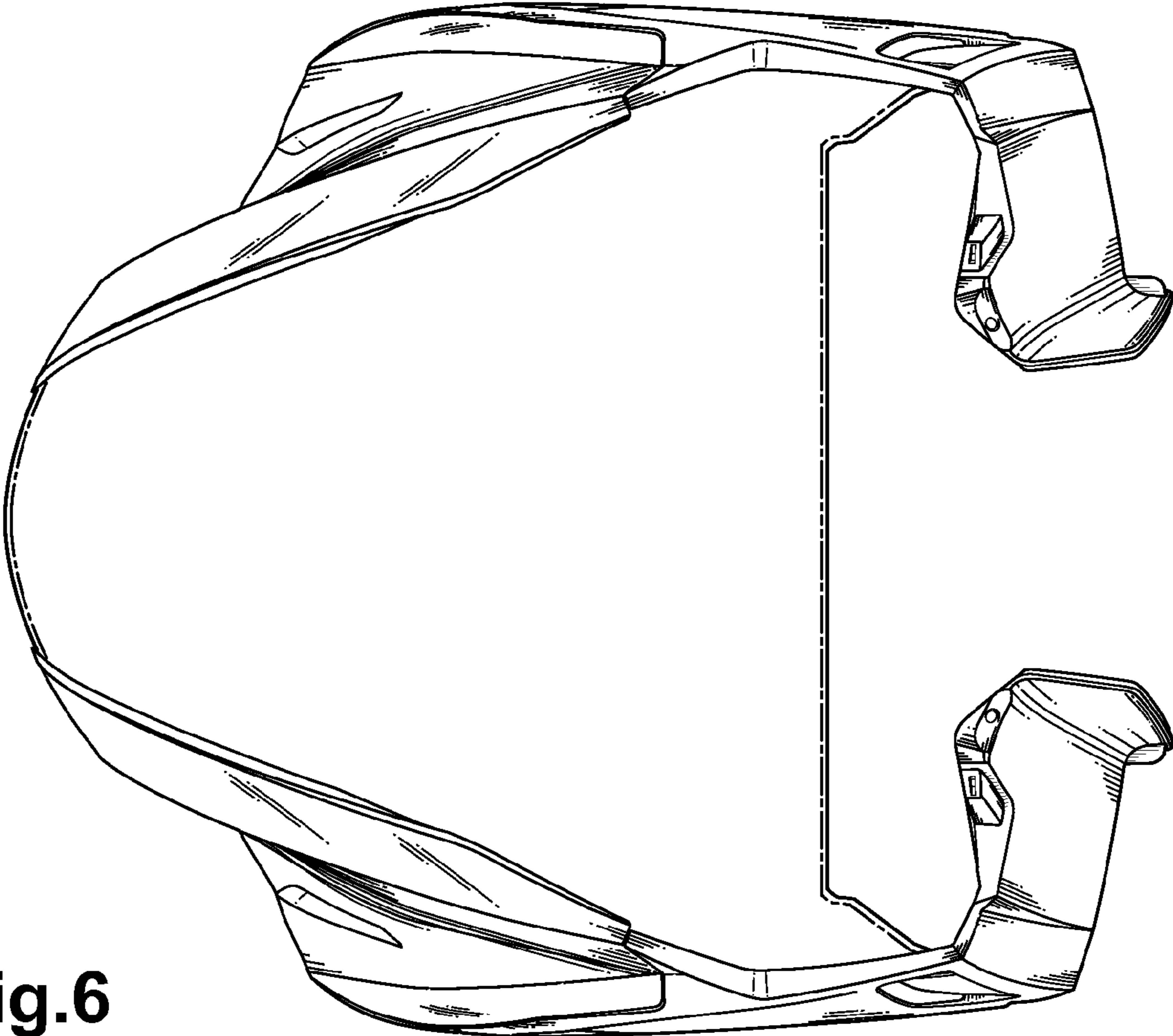


Fig.6

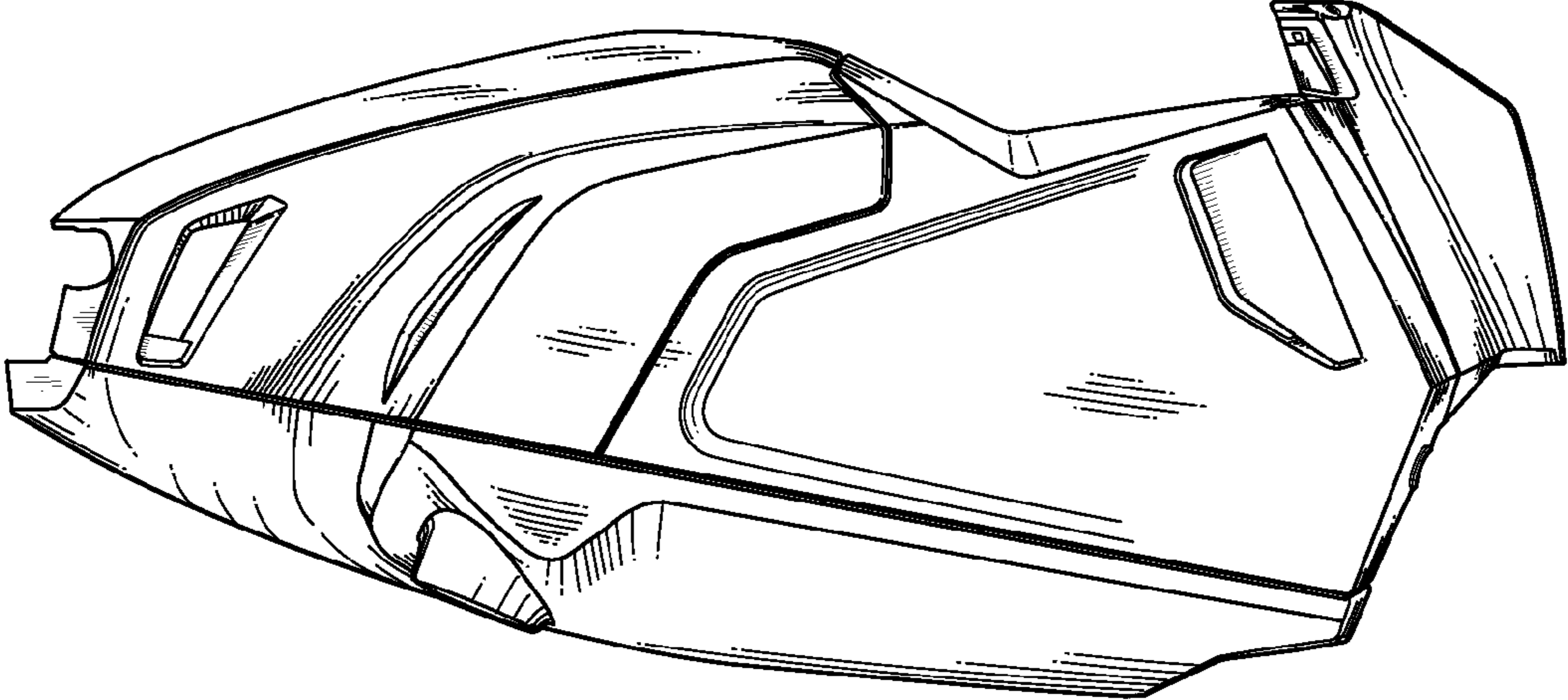


Fig.5

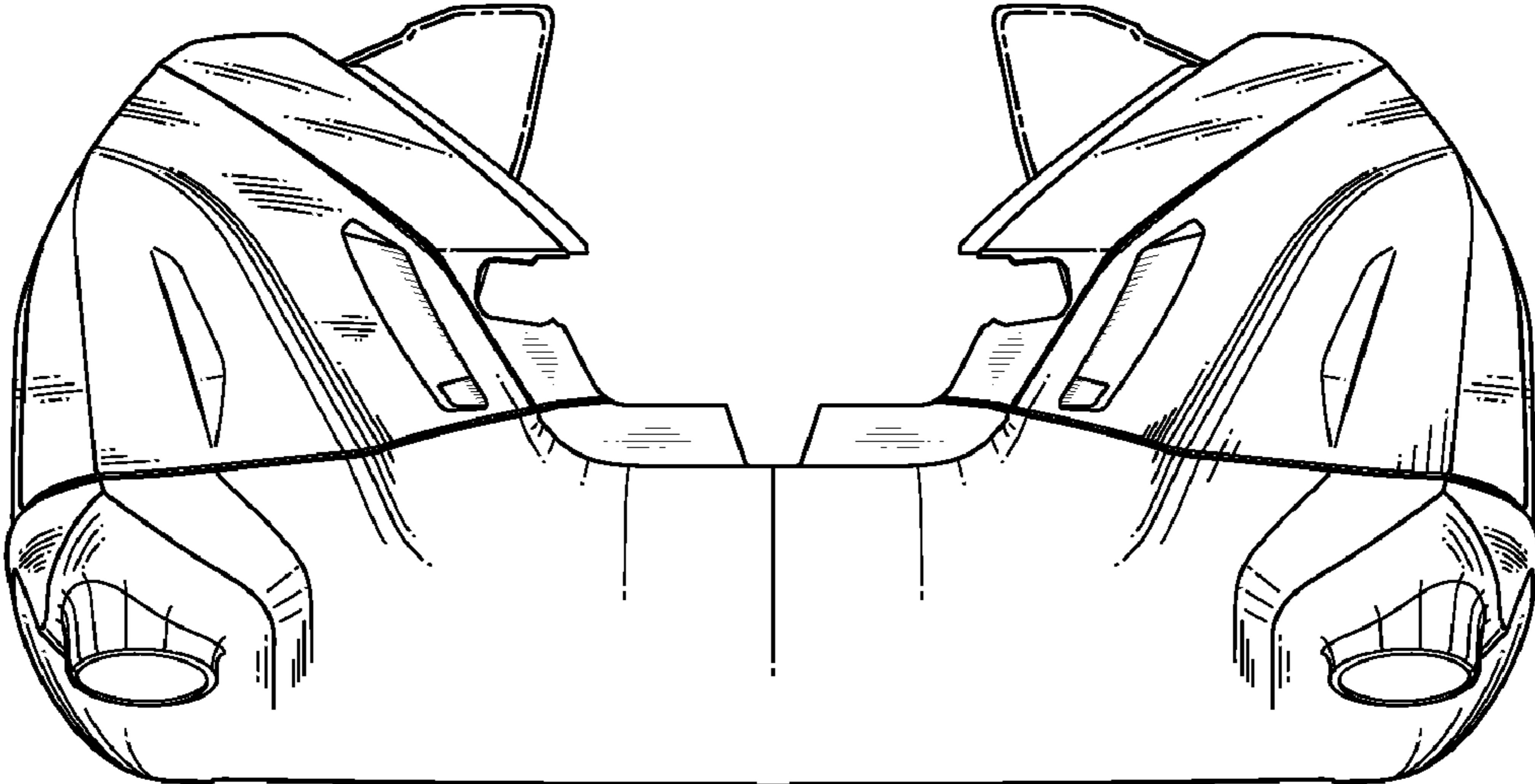


Fig.7

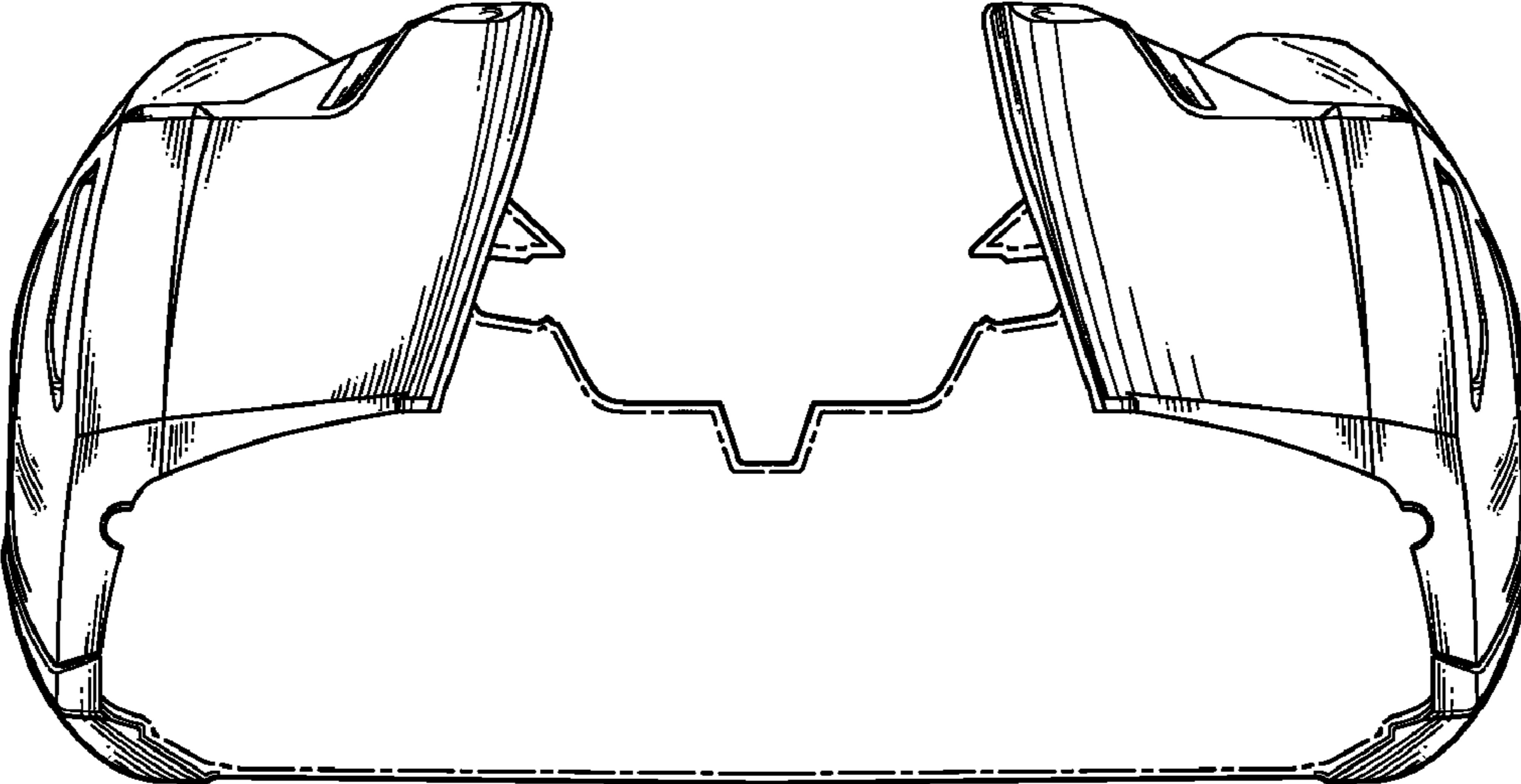


Fig.8

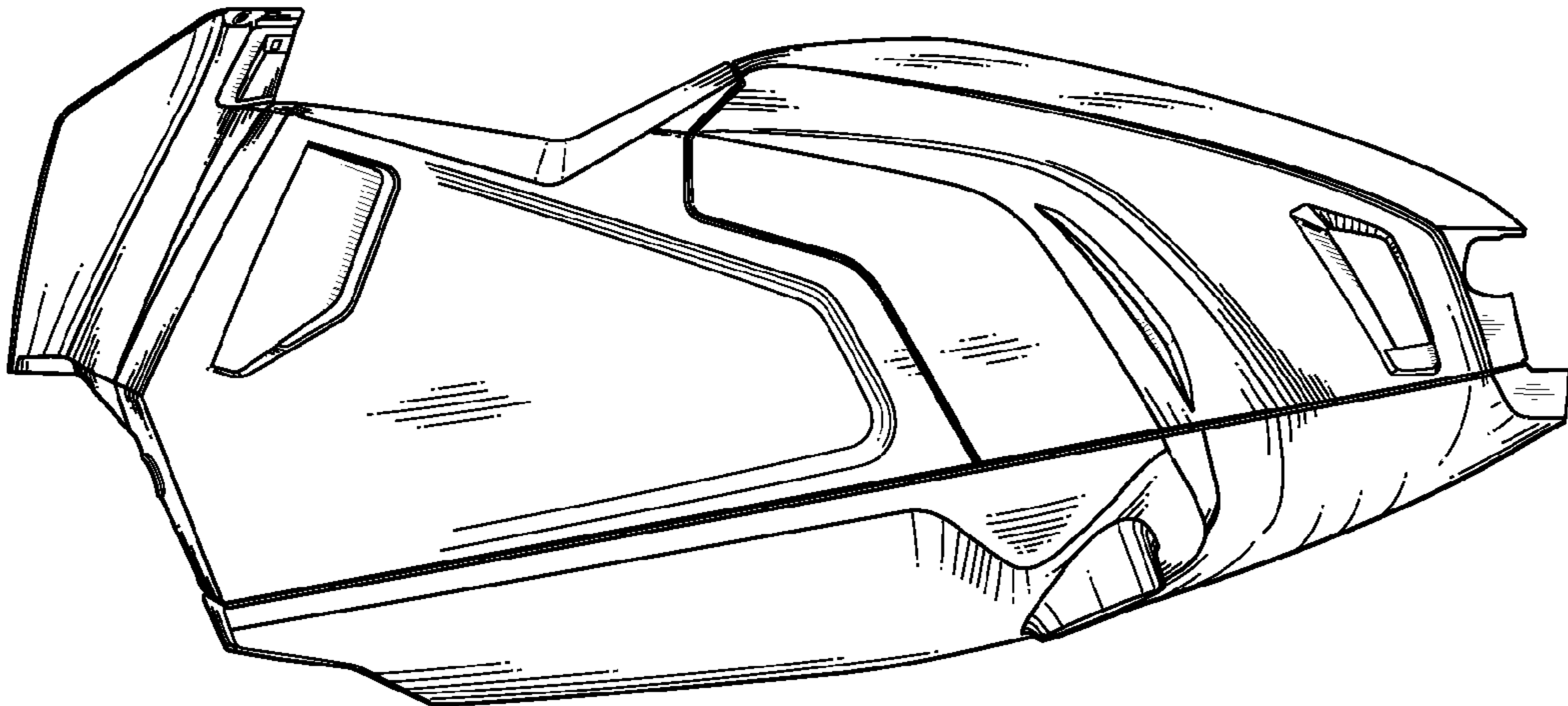


Fig.9

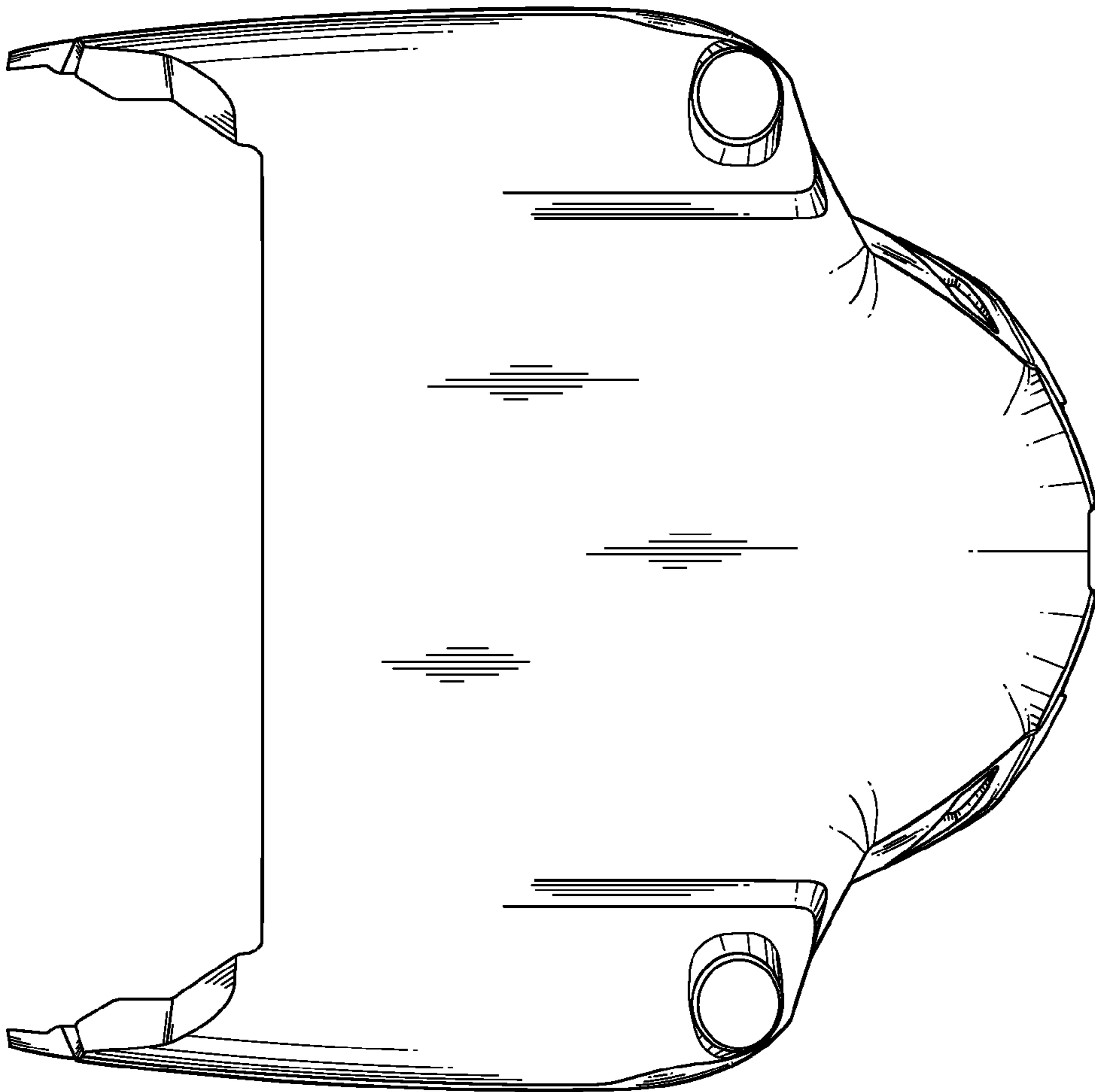


Fig.10

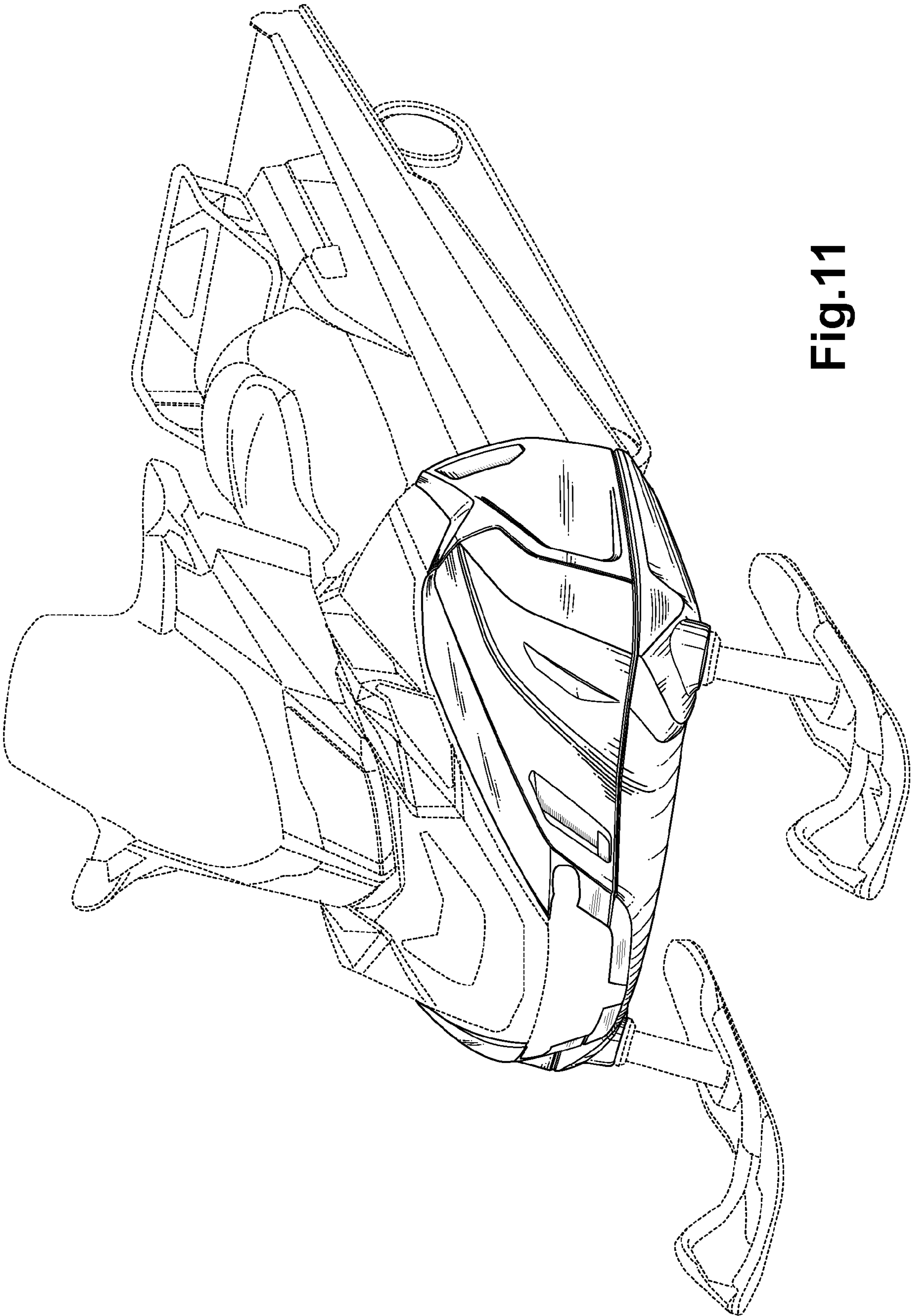


Fig. 11