



US00D629333S

(12) **United States Design Patent**
Miyazaki et al.

(10) **Patent No.:** **US D629,333 S**

(45) **Date of Patent:** **** Dec. 21, 2010**

(54) **SLIDER FOR SLIDE FASTENER**

D576,916 S * 9/2008 Yamamoto D11/221
D579,379 S * 10/2008 Lin D11/221

(75) Inventors: **Yohei Miyazaki**, Kurobe (JP); **Keiichi Keyaki**, Kurobe (JP)

FOREIGN PATENT DOCUMENTS

(73) Assignee: **YKK Corporation**, Tokyo (JP)

JP 831390 3/1992

(**) Term: **14 Years**

* cited by examiner

(21) Appl. No.: **29/340,325**

Primary Examiner—Ralf Seifert

(22) Filed: **Jul. 16, 2009**

(74) *Attorney, Agent, or Firm*—Alston & Bird LLP

(30) **Foreign Application Priority Data**

(57) **CLAIM**

Jan. 20, 2009 (JP) 2009-000910

The ornamental design for a slider for slide fastener, as shown and described.

(51) **LOC (9) Cl.** **02-07**

DESCRIPTION

(52) **U.S. Cl.** **D11/221**

FIG. 1 is a perspective view of the front, bottom and right side of a slider for slide fastener showing our new design;

(58) **Field of Classification Search** D11/200,
D11/201, 221; 24/381–383, 385–387, 414–417,
24/421–422, 427–431, 433; 2/265

FIG. 2 is front view thereof;

See application file for complete search history.

FIG. 3 is a rear view thereof;

(56) **References Cited**

FIG. 4 is a right side view thereof, the left side view being mirror image thereof;

U.S. PATENT DOCUMENTS

FIG. 5 is a top plan view thereof;

D484,829 S * 1/2004 Yamamoto et al. D11/221

FIG. 6 is a bottom view thereof; and,

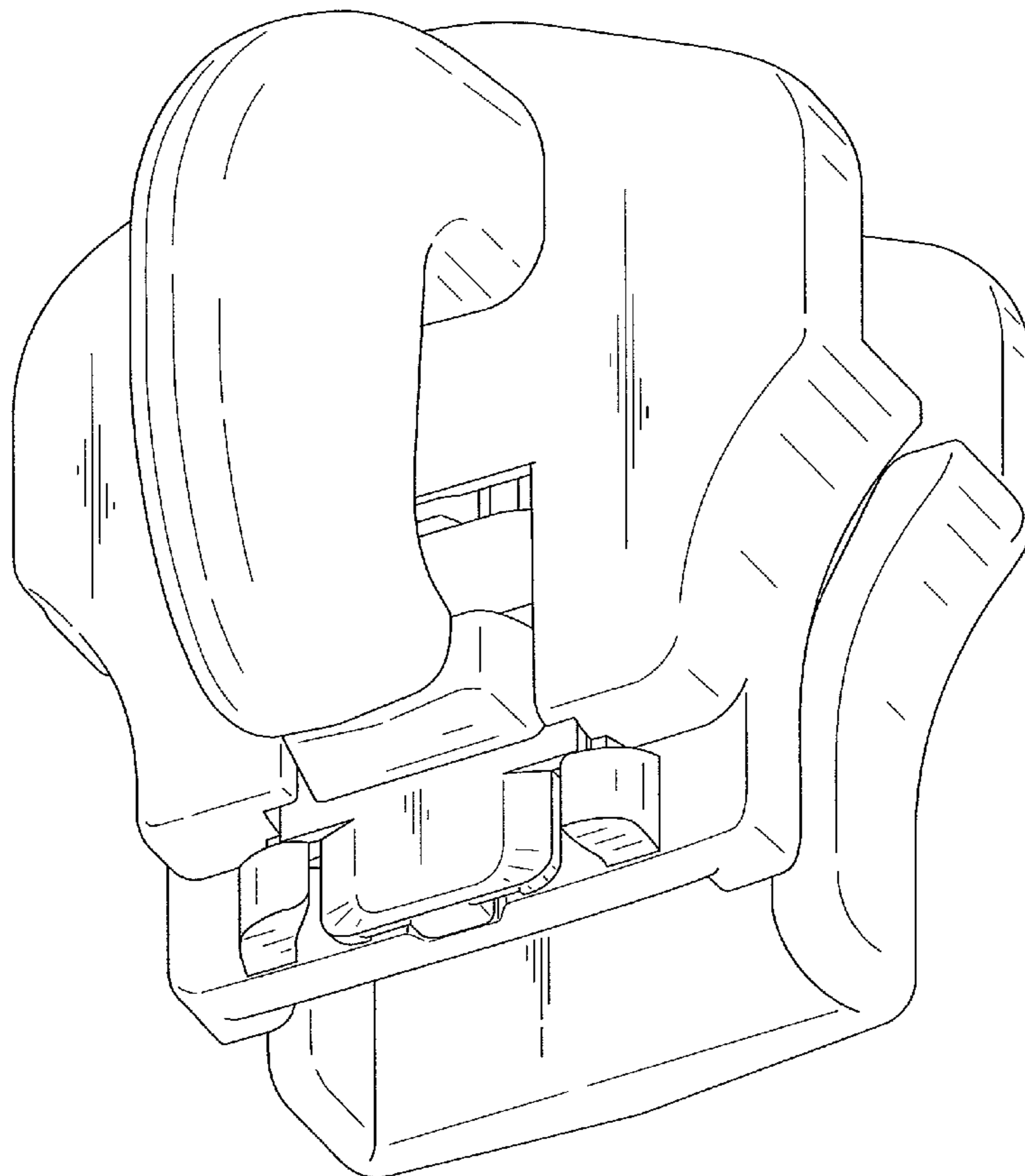
D509,770 S * 9/2005 Hamada et al. D11/221

FIG. 7 is a cross sectional view at 7—7 thereof.

D556,088 S * 11/2007 Cossutti D11/221

D558,091 S * 12/2007 Cossutti et al. D11/221

1 Claim, 7 Drawing Sheets



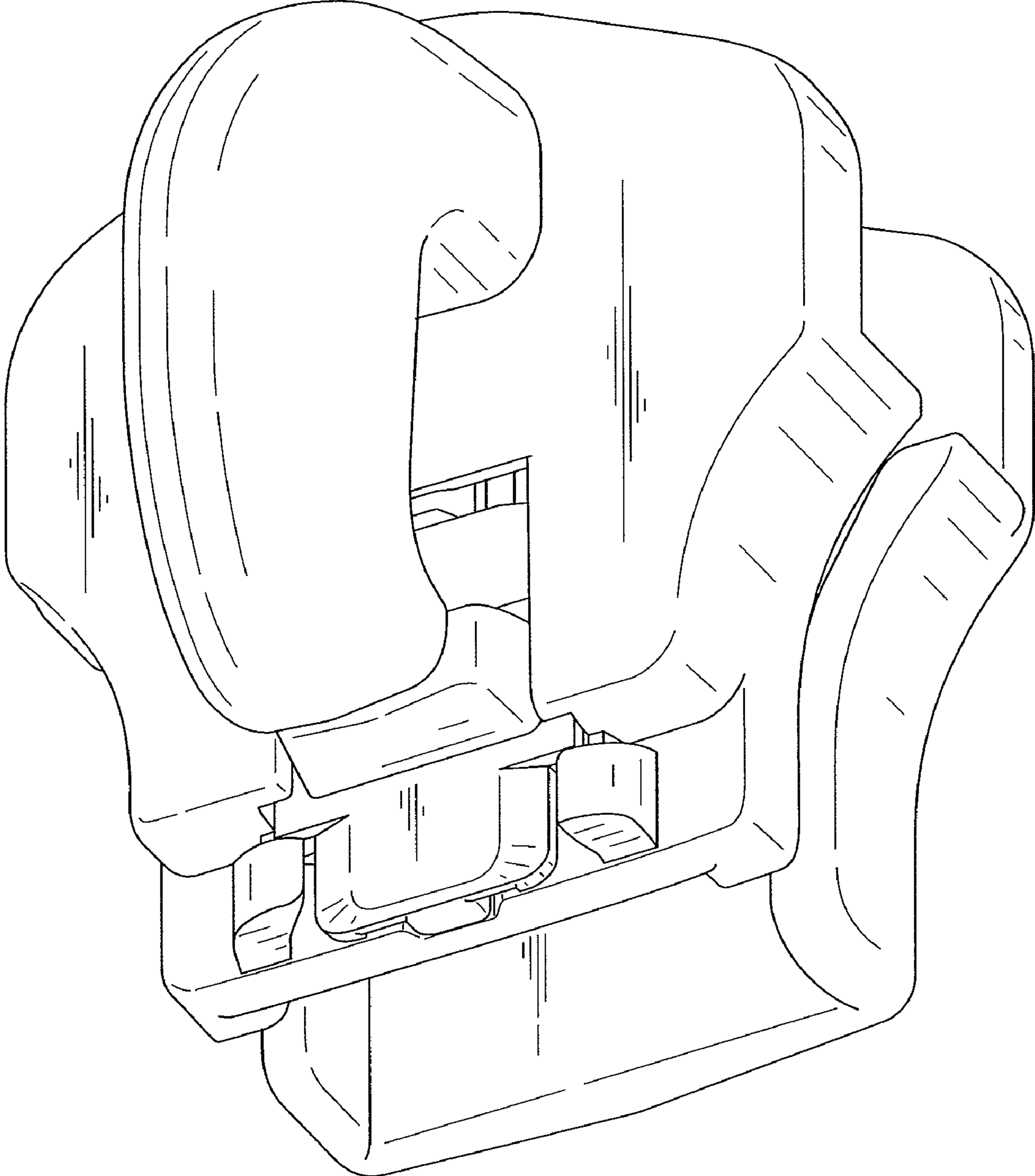


FIG. 1

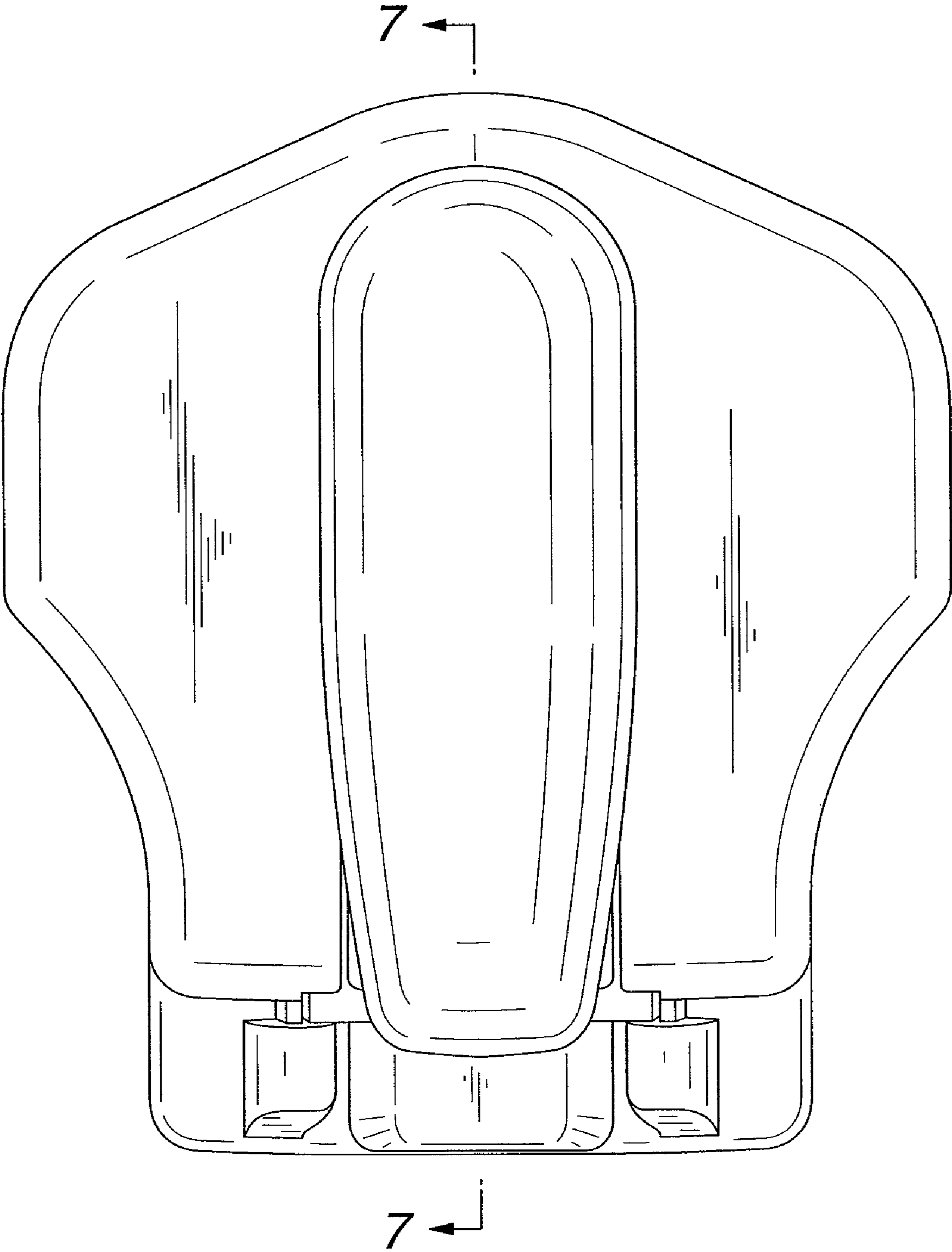


FIG. 2

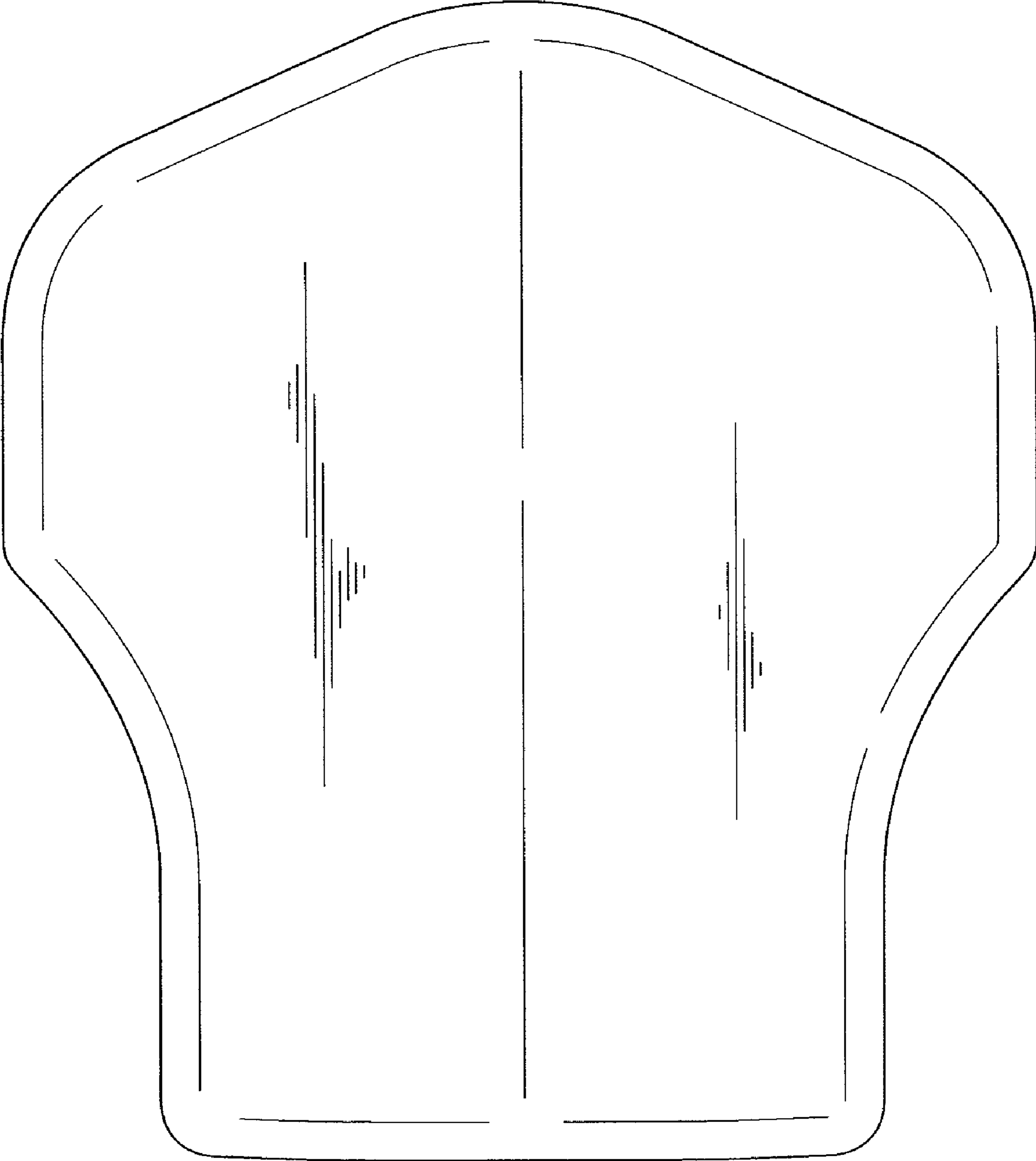


FIG. 3

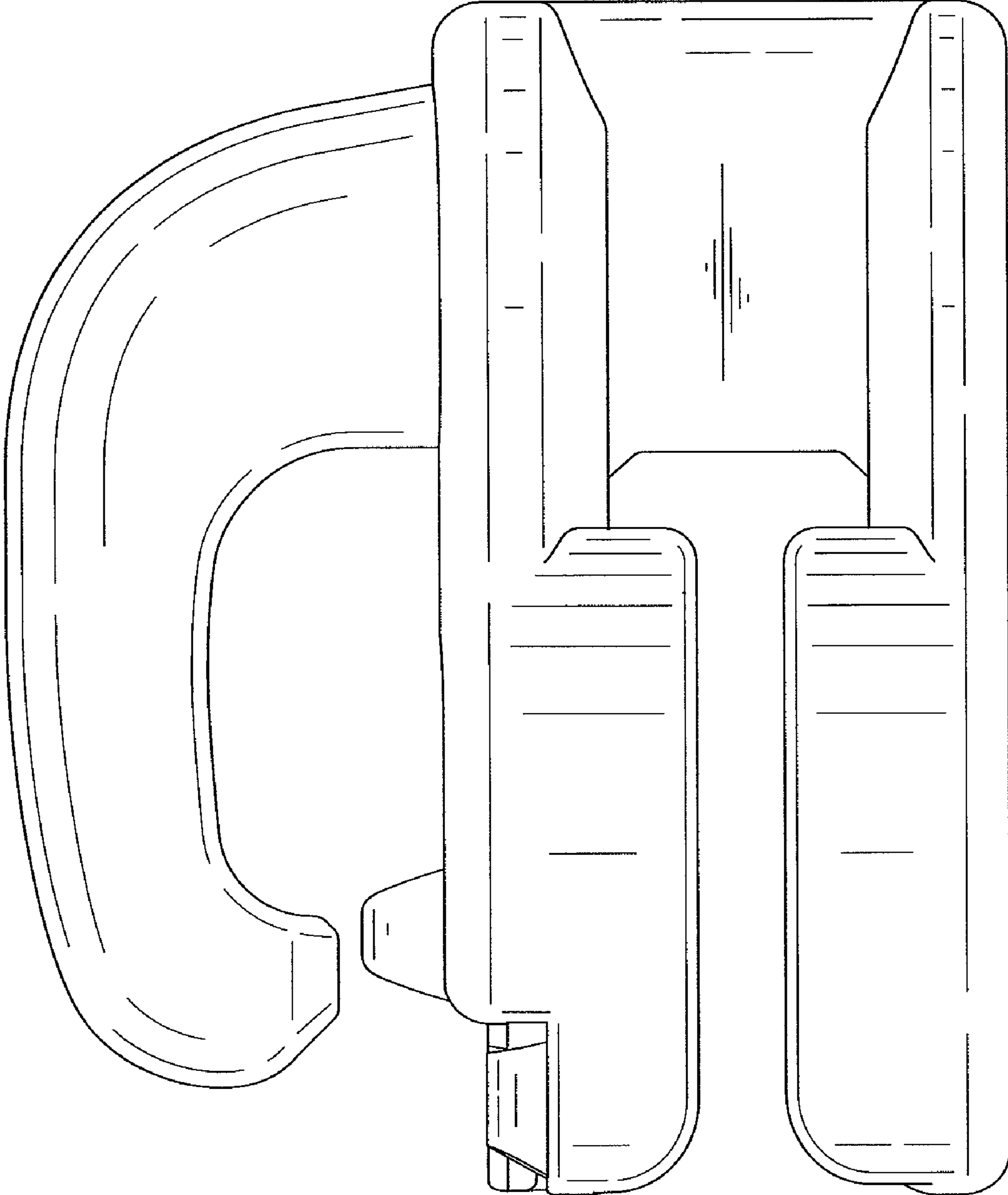


FIG. 4

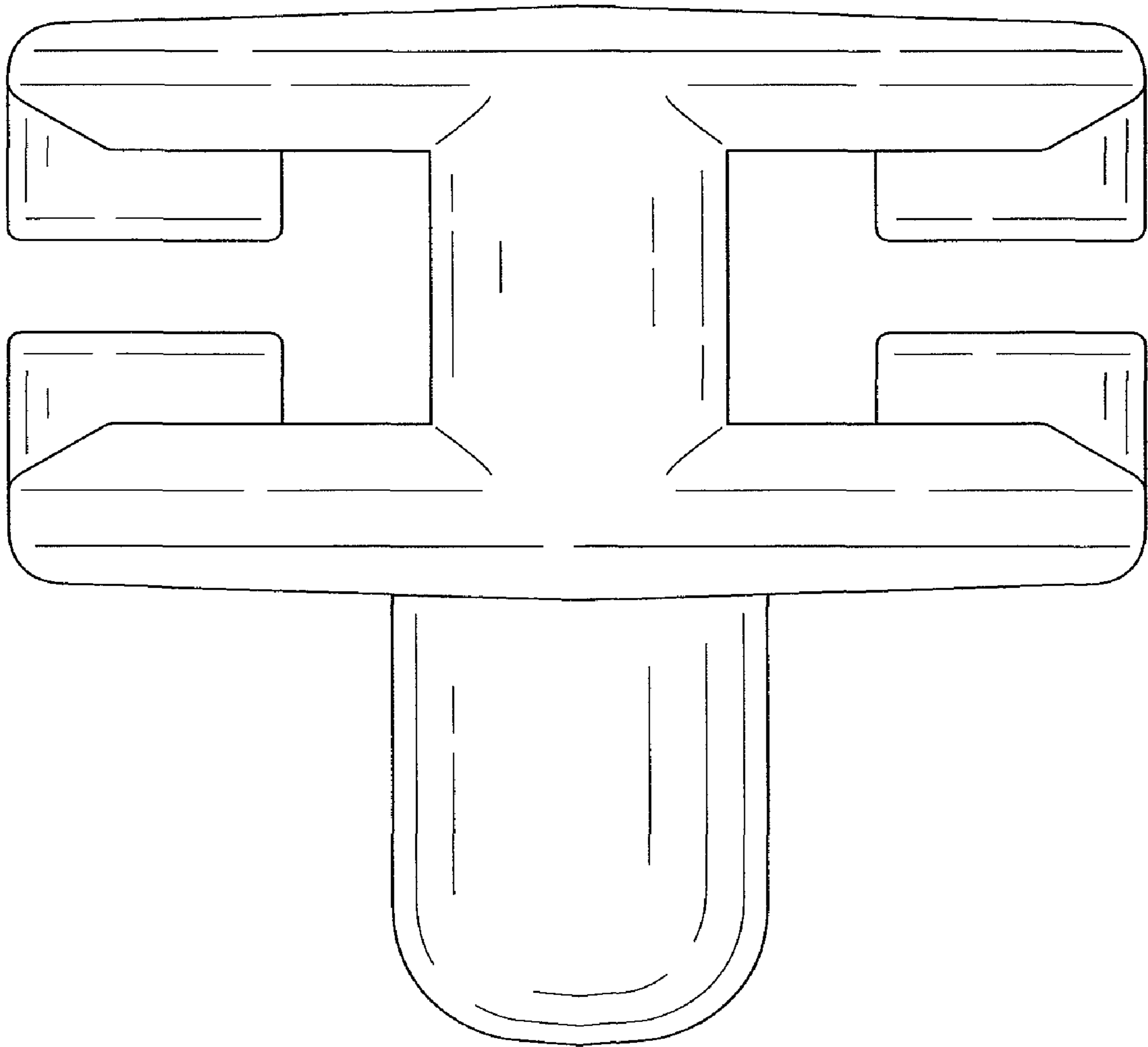


FIG. 5

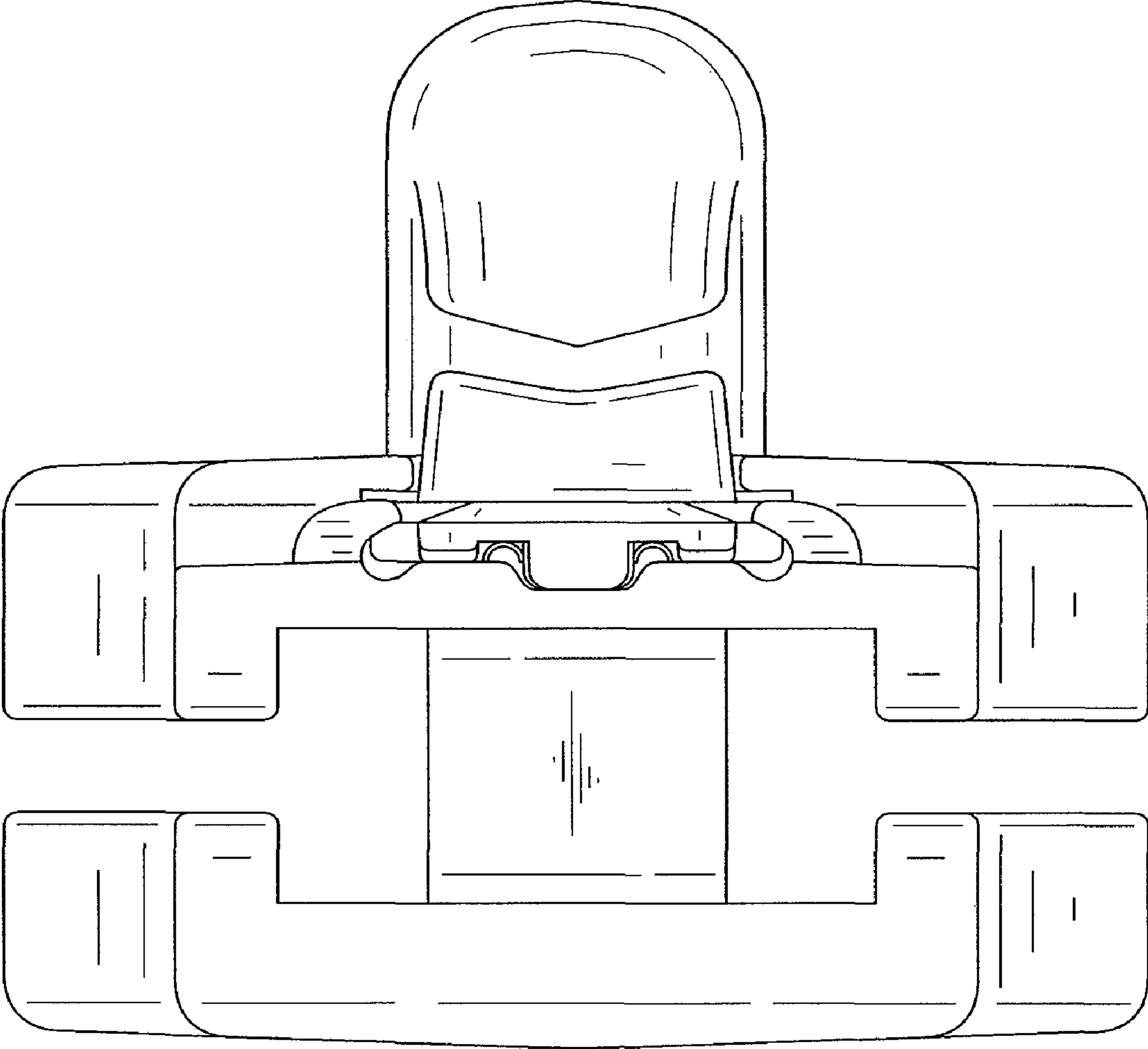


FIG. 6

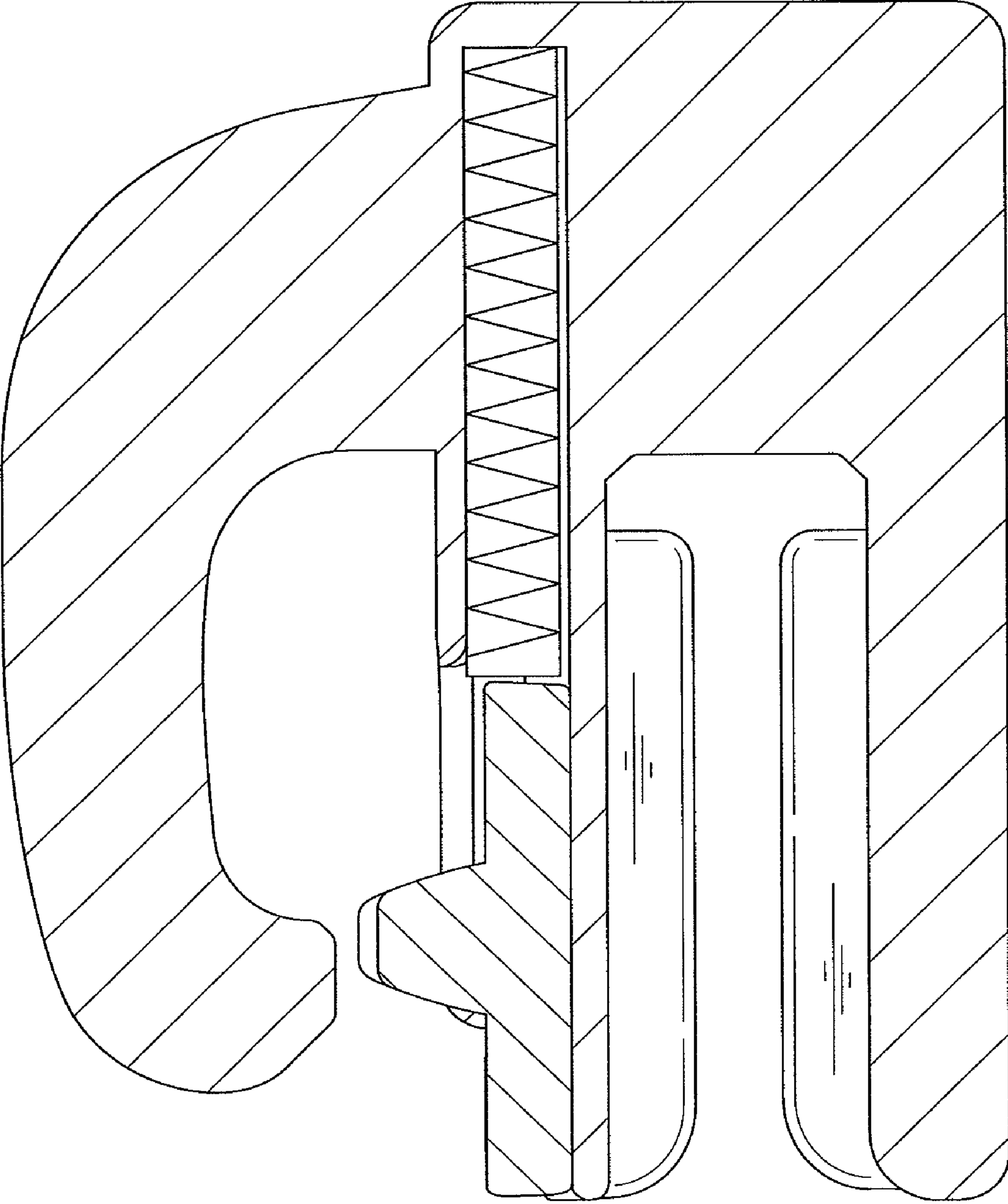


FIG. 7