



US00D629332S

(12) **United States Design Patent**  
**Miyazaki et al.**

(10) **Patent No.:** **US D629,332 S**  
(45) **Date of Patent:** **\*\* Dec. 21, 2010**

(54) **SLIDER FOR SLIDE FASTENER**

D558,091 S \* 12/2007 Cossutti et al. .... D11/221

(75) Inventors: **Yohei Miyazaki**, Kurobe (JP); **Keiichi Keyaki**, Kurobe (JP)

FOREIGN PATENT DOCUMENTS

JP 831390 3/1992

\* cited by examiner

(73) Assignee: **YKK Corporation**, Tokyo (JP)

*Primary Examiner*—Ralf Seifert

(\*\*) Term: **14 Years**

(74) *Attorney, Agent, or Firm*—Alston & Bird LLP

(21) Appl. No.: **29/340,321**

(57) **CLAIM**

(22) Filed: **Jul. 16, 2009**

The ornamental design for a slider for slide fastener, as shown and described.

(30) **Foreign Application Priority Data**

Jan. 20, 2009 (JP) ..... 2009-000911

**DESCRIPTION**

(51) **LOC (9) Cl.** ..... **02-07**

FIG. 1 is a perspective view of the front, bottom and right side of a slider for slide fastener showing our new design;

(52) **U.S. Cl.** ..... **D11/221**

FIG. 2 is front view thereof;

(58) **Field of Classification Search** ..... D11/200,  
D11/201, 221; 24/381–383, 385–387, 414–417,  
24/421–422, 427–431, 433; 2/265

FIG. 3 is a rear view thereof;

See application file for complete search history.

FIG. 4 is a right side view thereof, the left side view being mirror image thereof;

(56) **References Cited**

FIG. 5 is a top plan view thereof;

**U.S. PATENT DOCUMENTS**

FIG. 6 is a bottom view thereof; and,

D251,697 S \* 5/1979 Toepelt et al. .... D11/221

FIG. 7 is a cross sectional view at 7—7 thereof.

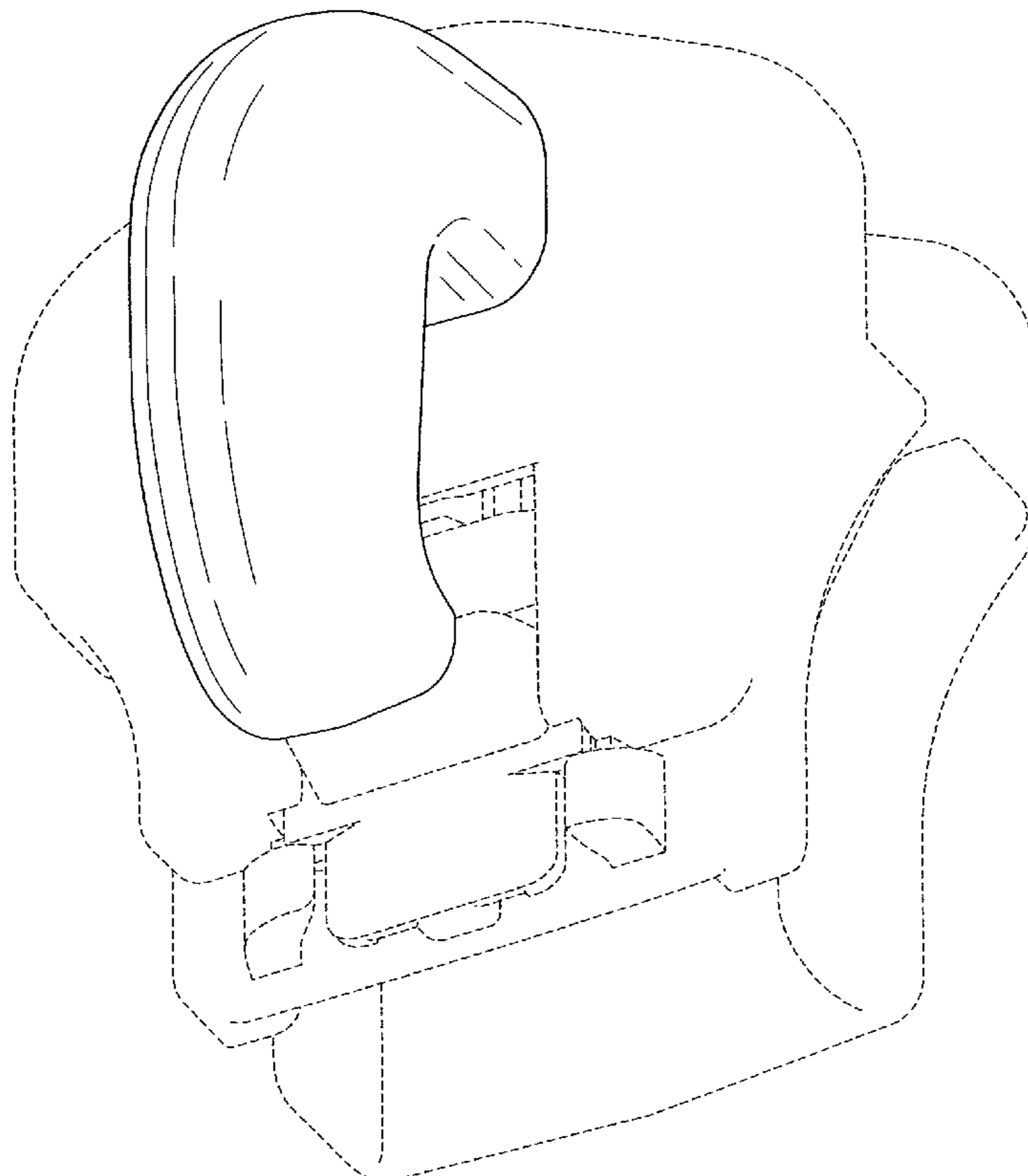
D380,987 S \* 7/1997 Izumi ..... D11/221

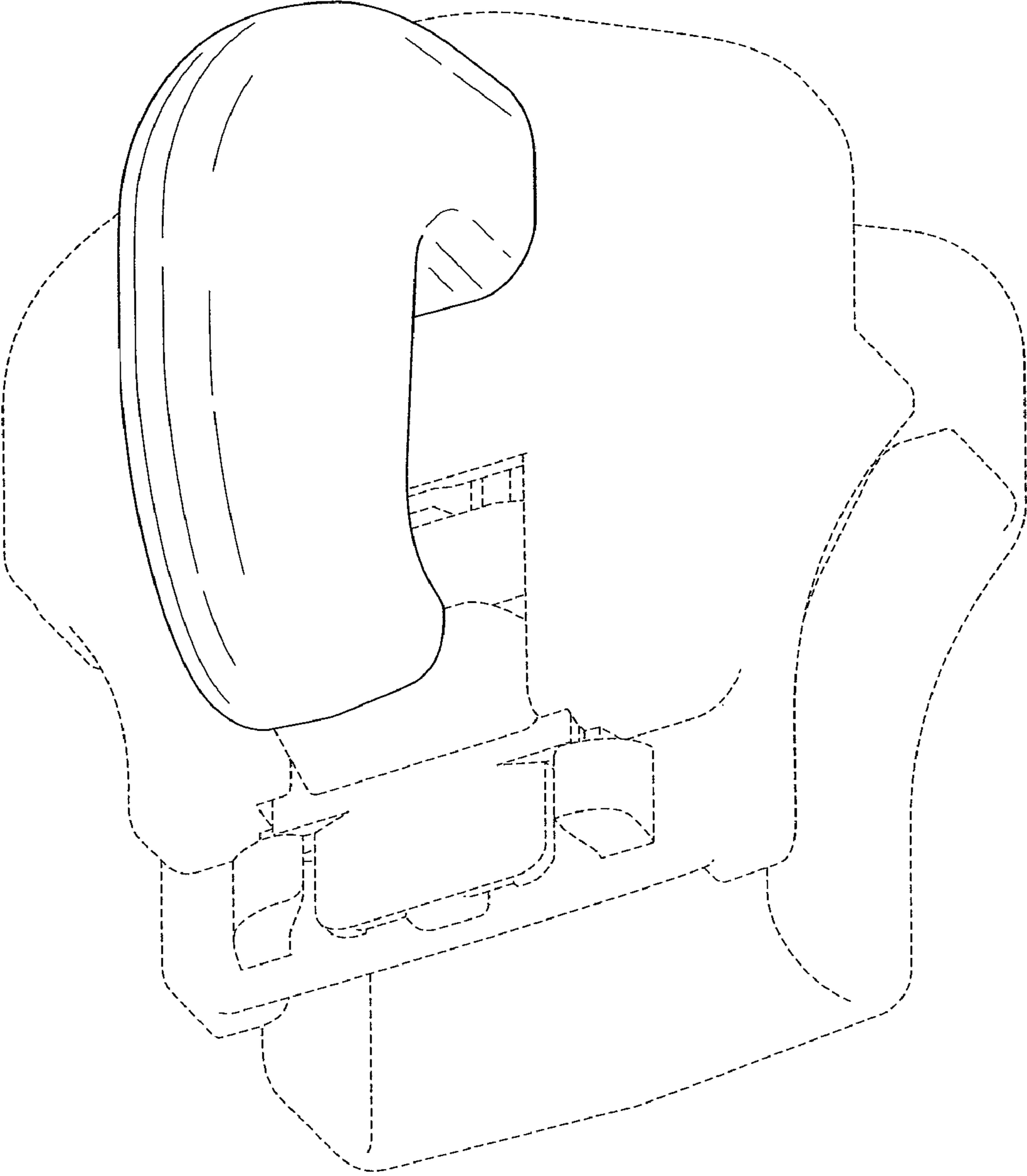
The portion of the article in broken lines are shown for illustrative purposes only and form no part of the claimed design.

D484,829 S \* 1/2004 Yamamoto et al. .... D11/221

D509,770 S \* 9/2005 Hamada et al. .... D11/221

**1 Claim, 7 Drawing Sheets**





**FIG. 1**

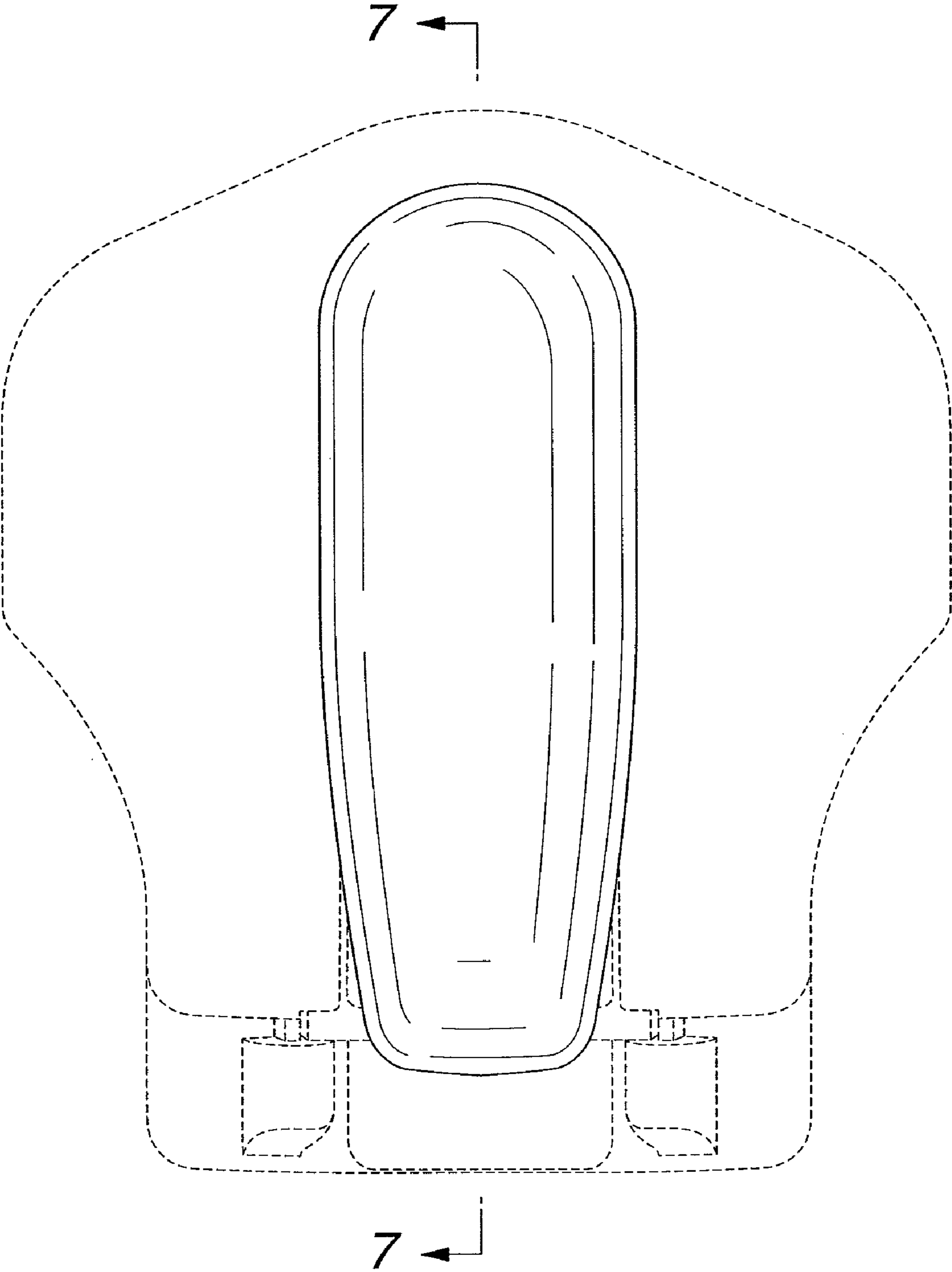
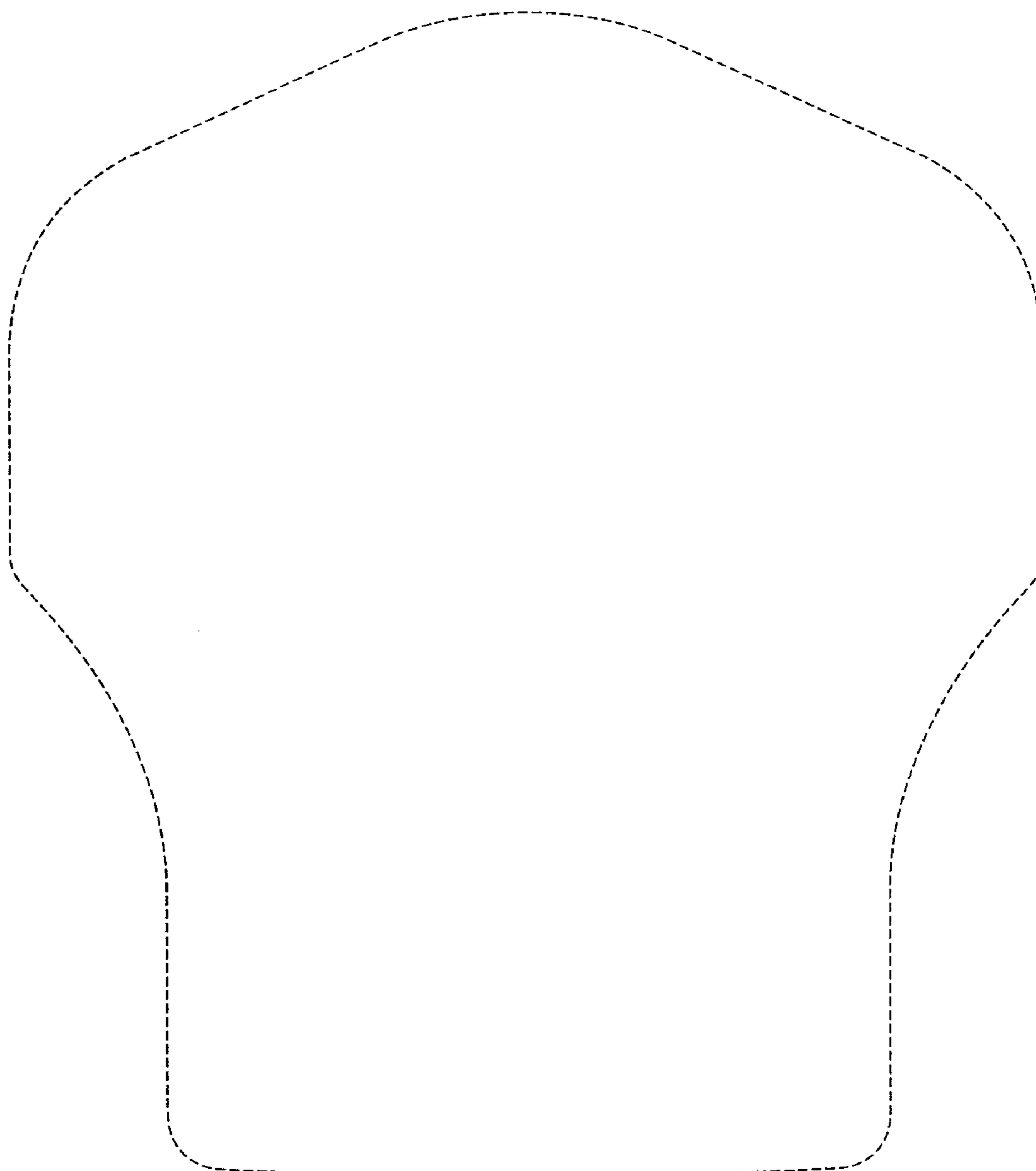
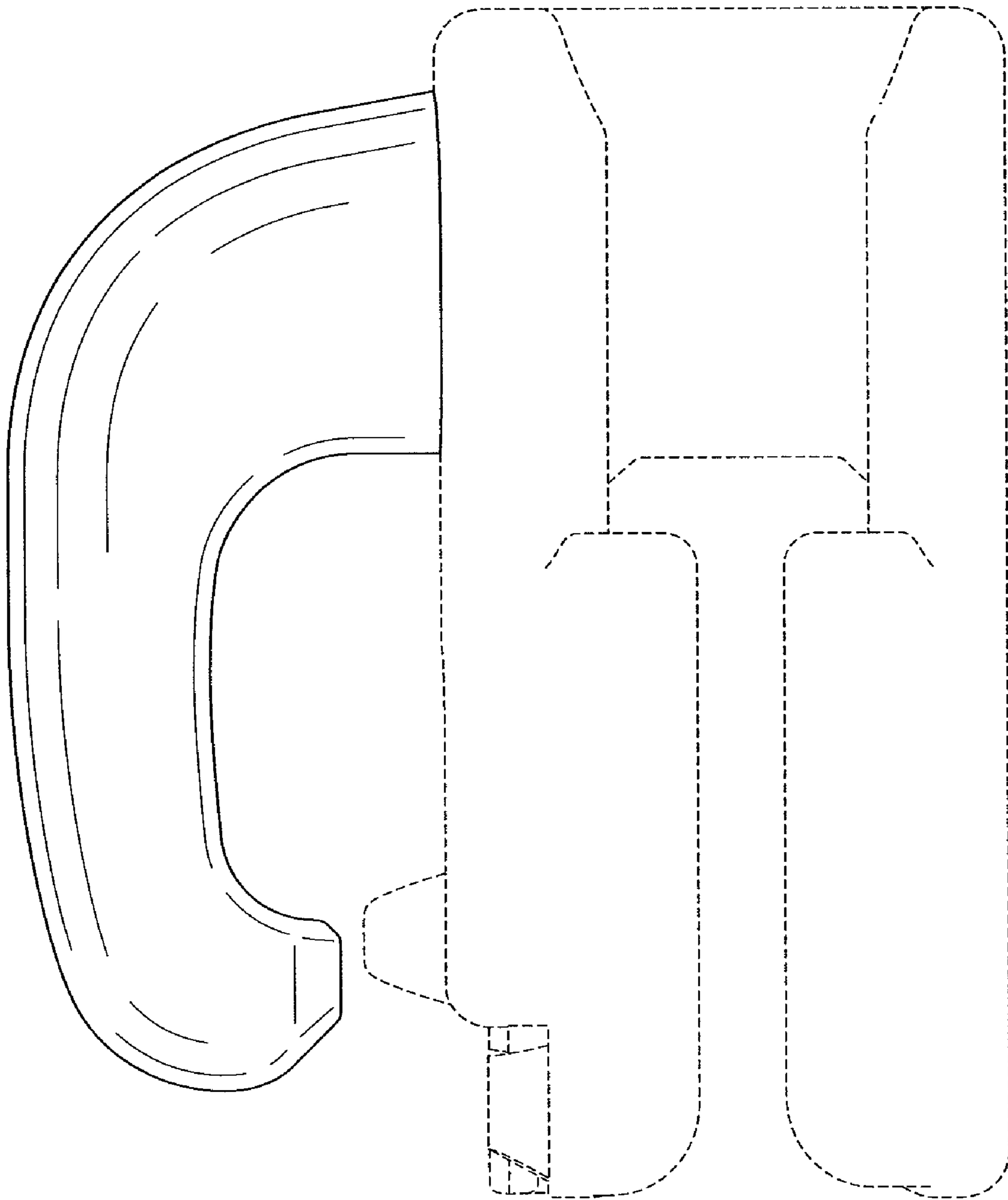


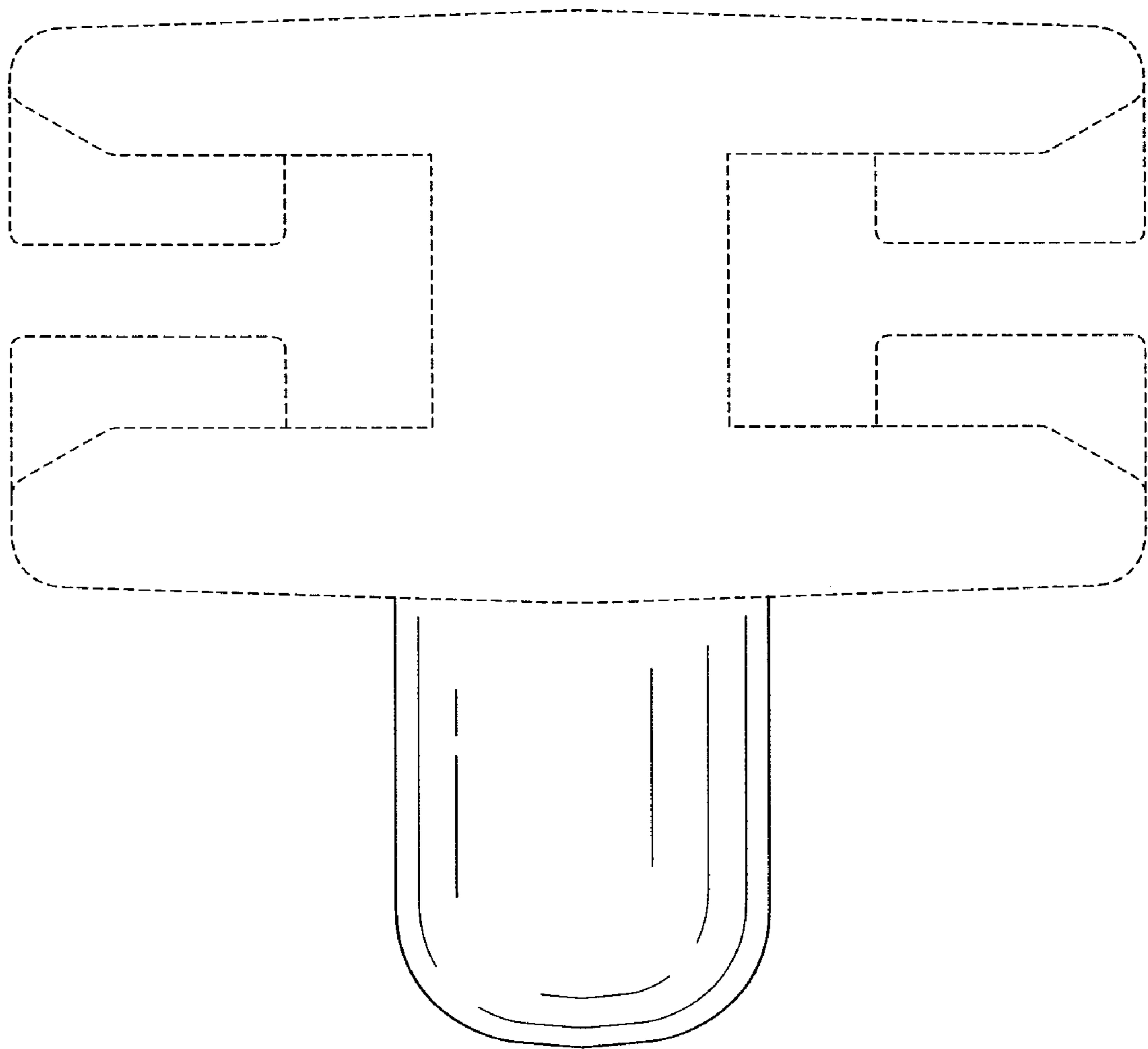
FIG. 2



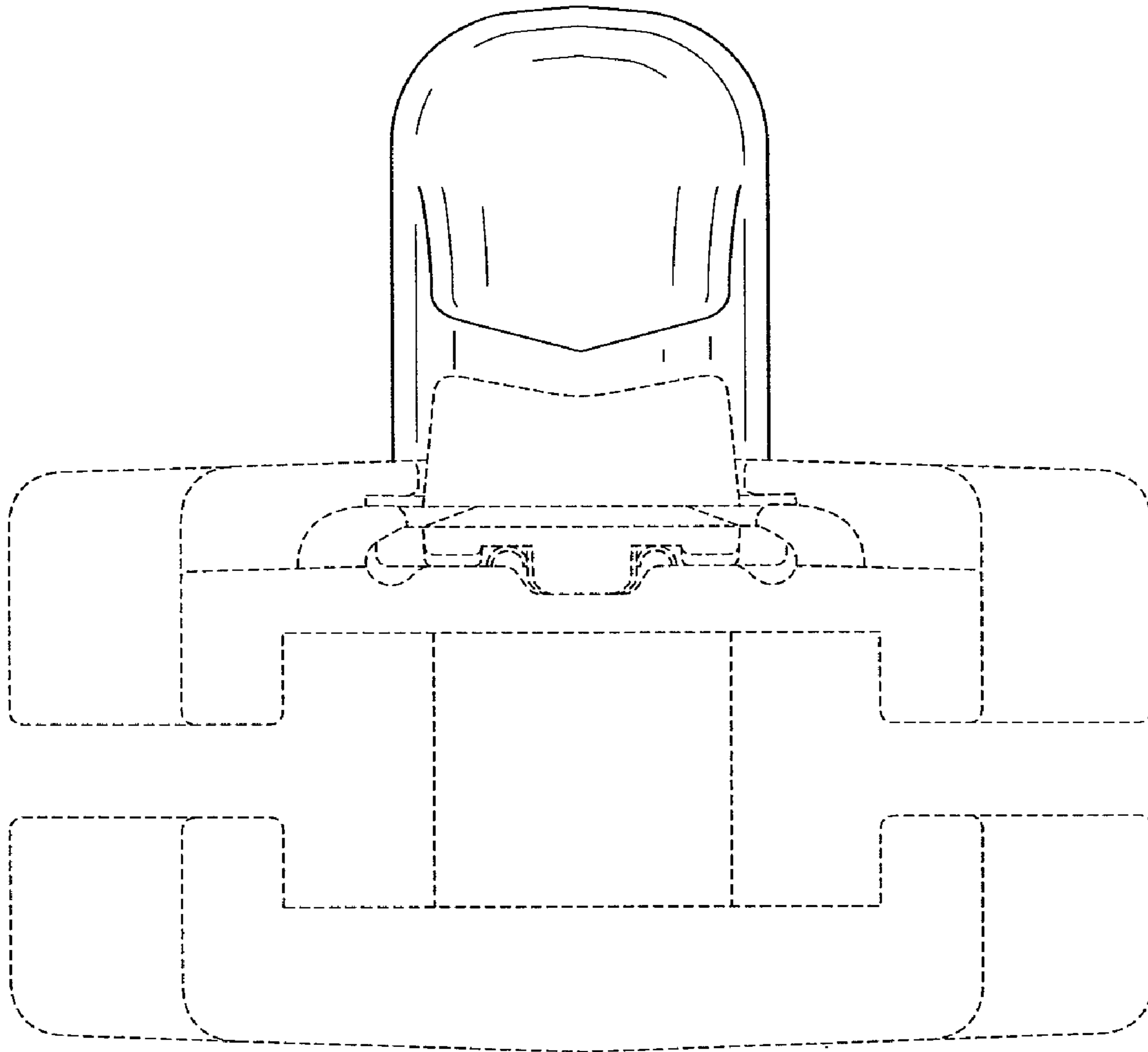
*FIG. 3*



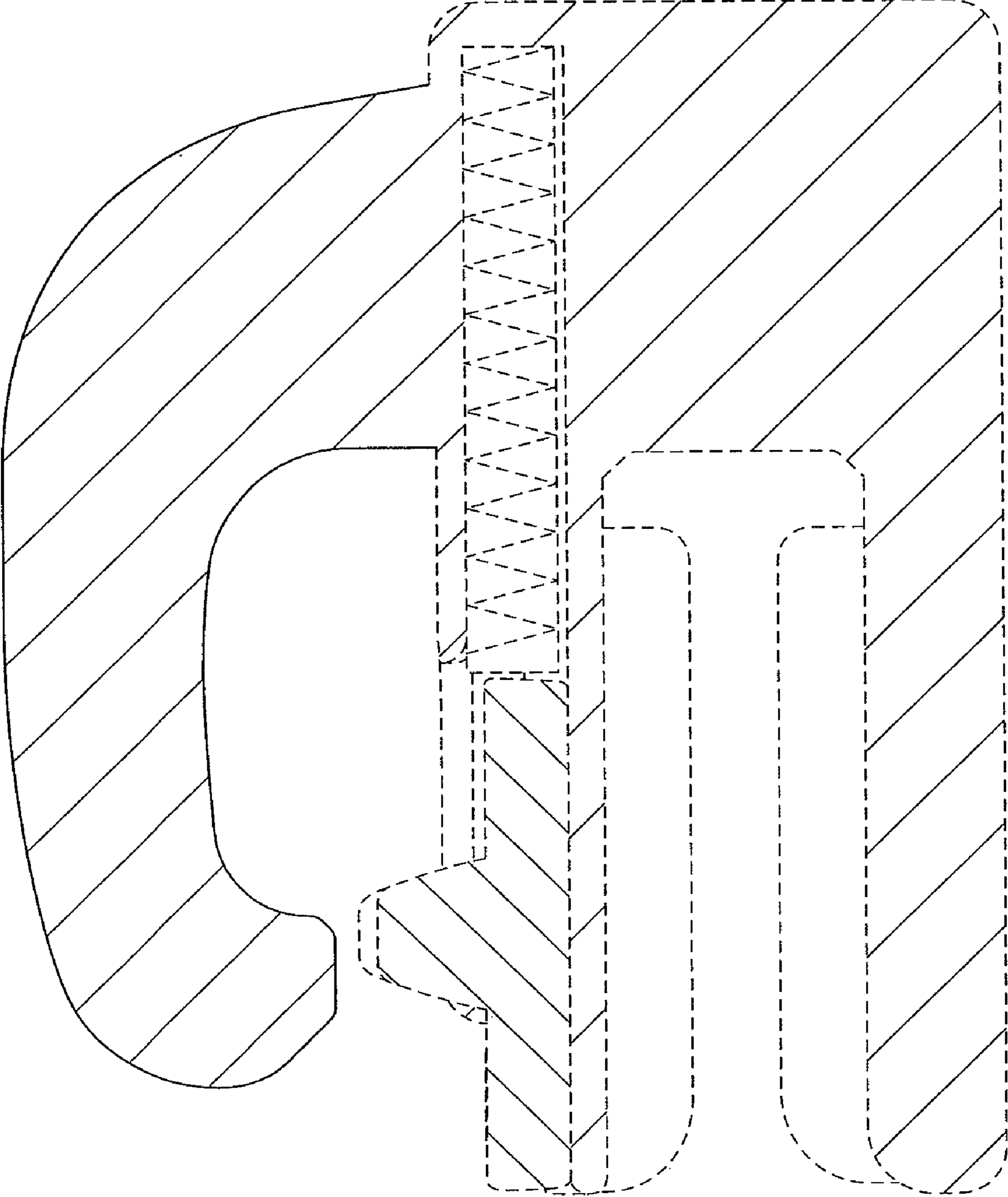
**FIG. 4**



*FIG. 5*



*FIG. 6*



**FIG. 7**