



US00D629319S

(12) **United States Design Patent**
Tian

(10) **Patent No.:** **US D629,319 S**
(45) **Date of Patent:** **** Dec. 21, 2010**

(54) **VOLTAGE TESTER**

(75) Inventor: **Jun Tian**, Shenzhen (CN)

(73) Assignee: **Dongguan Huayi Mastech Co., Ltd**,
Yuliangwei Industrial Area, Qingxi
Town, Dongguan (CN)

(**) Term: **14 Years**

(21) Appl. No.: **29/362,796**

(22) Filed: **Jun. 1, 2010**

(51) **LOC (9) Cl.** **10-04**

(52) **U.S. Cl.** **D10/78**

(58) **Field of Classification Search** D10/78;
324/72.5, 556, 133, 149, 503, 543, 555, 66,
324/72, 754, 115, 141, 114, 145, 156, 508;
340/635, 687, 654; 379/21; 73/866.5
See application file for complete search history.

(56) **References Cited**

U.S. PATENT DOCUMENTS

2,075,860 A * 4/1937 Mehaffie 324/145

2,290,760 A * 7/1942 Mehaffie 324/145
D257,014 S * 9/1980 Cressman et al. D10/78
D416,819 S * 11/1999 Luebke et al. D10/78
D476,246 S * 6/2003 Kuramoto et al. D10/78

* cited by examiner

Primary Examiner—Antoine D Davis

(57) **CLAIM**

The ornamental design for a voltage tester, as shown and described.

DESCRIPTION

FIG. 1 is a perspective view of a voltage tester showing my new design;

FIG. 2 is a front elevational view thereof;

FIG. 3 is a rear elevational view thereof;

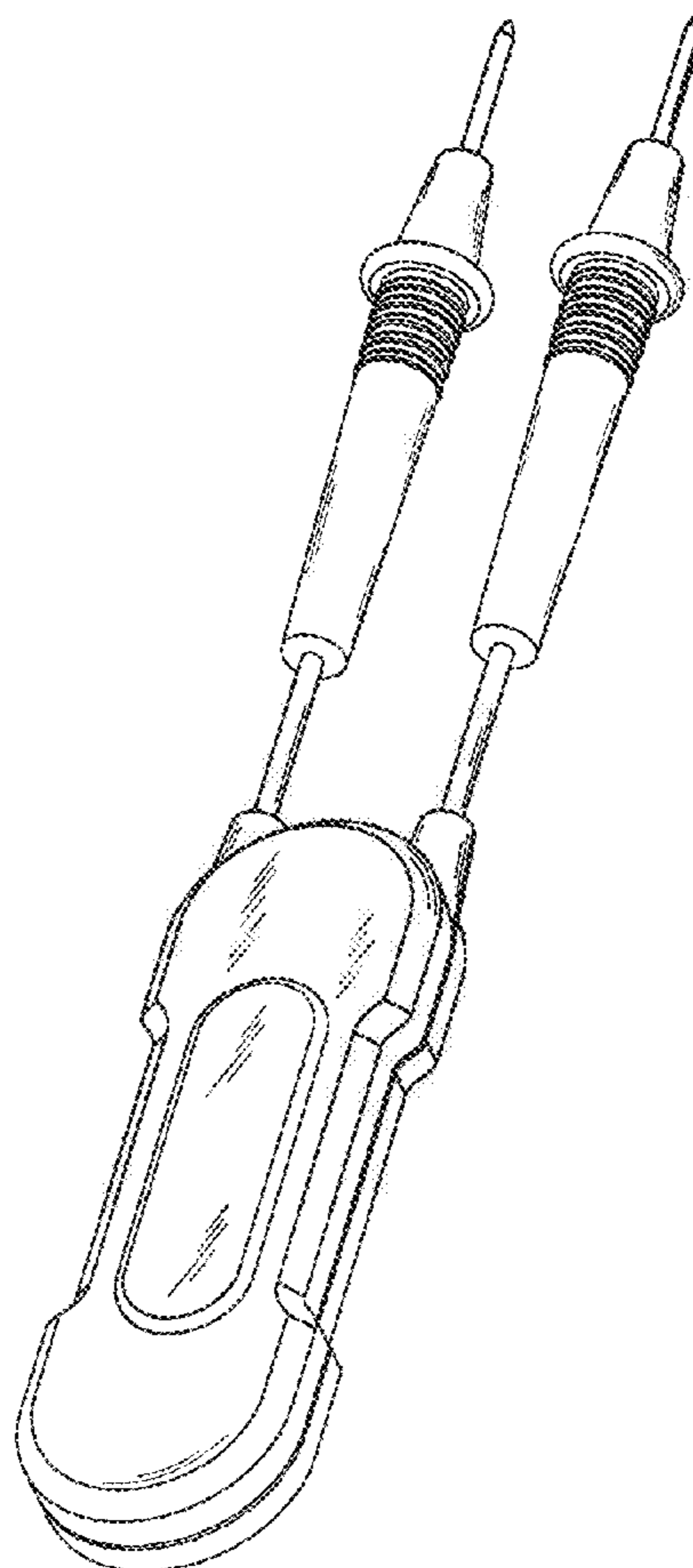
FIG. 4 is a left side elevational view thereof;

FIG. 5 is a right side elevational view thereof;

FIG. 6 is a top plan view thereof; and,

FIG. 7 is a bottom plan view thereof.

1 Claim, 6 Drawing Sheets



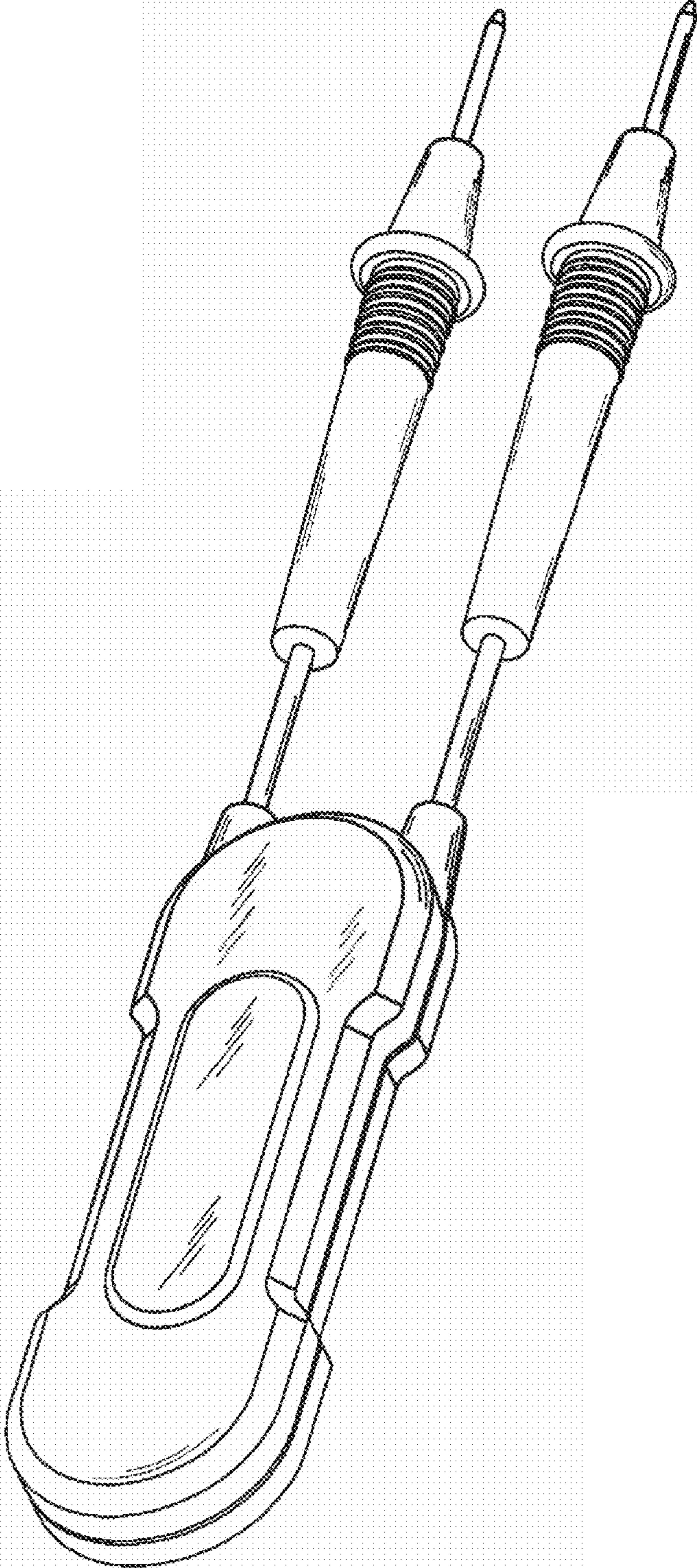


Fig. 1

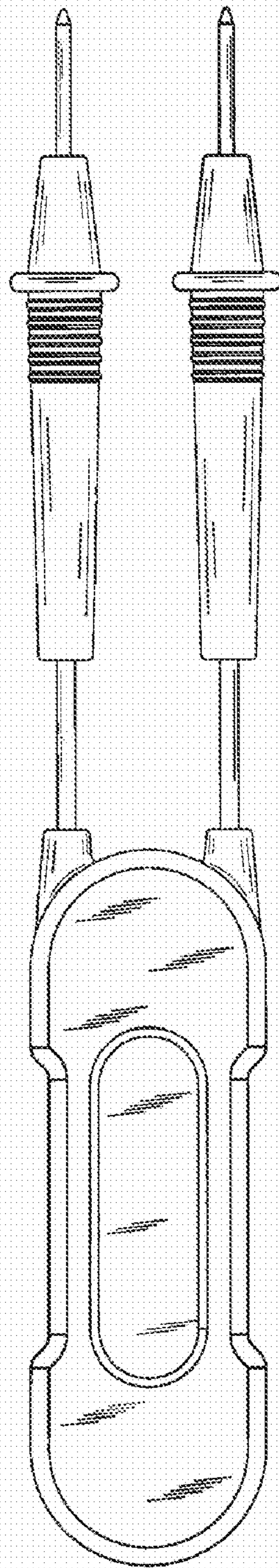


Fig.2

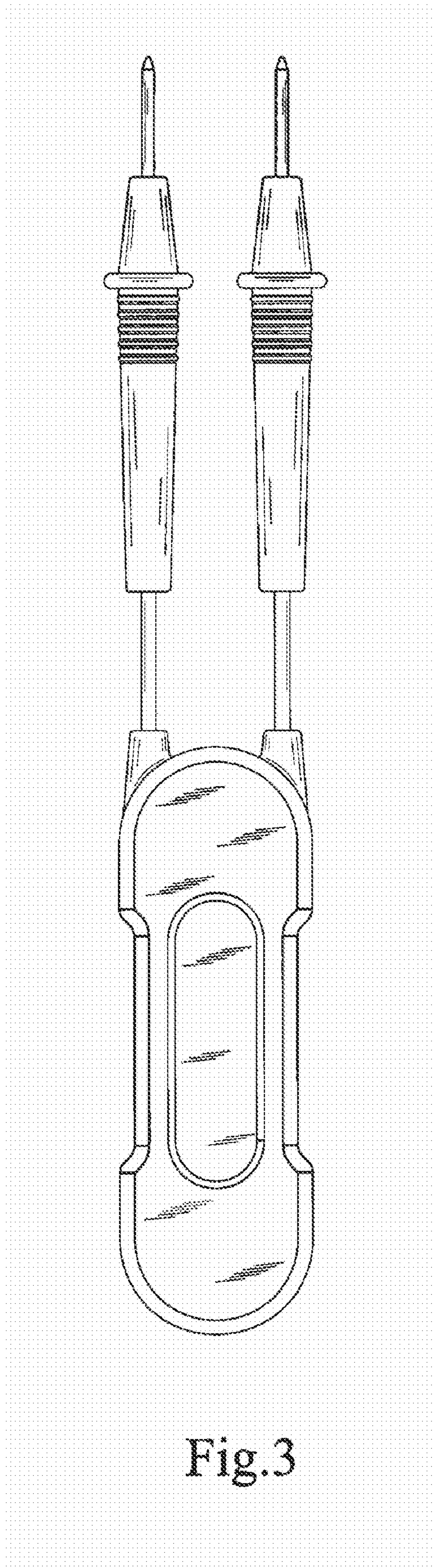


Fig.3

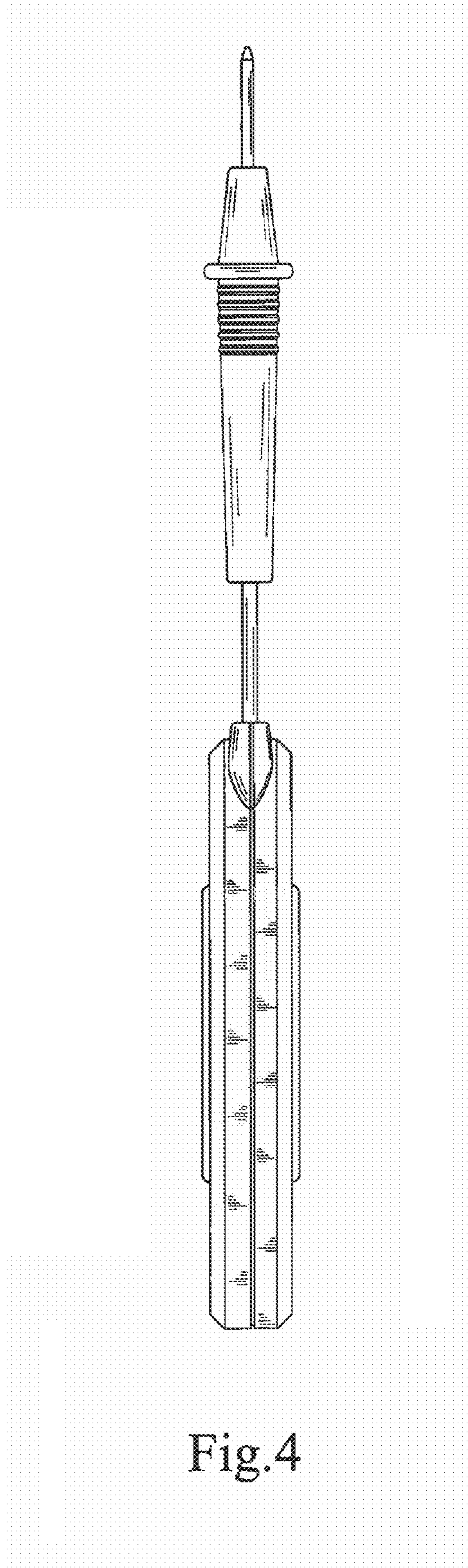


Fig.4

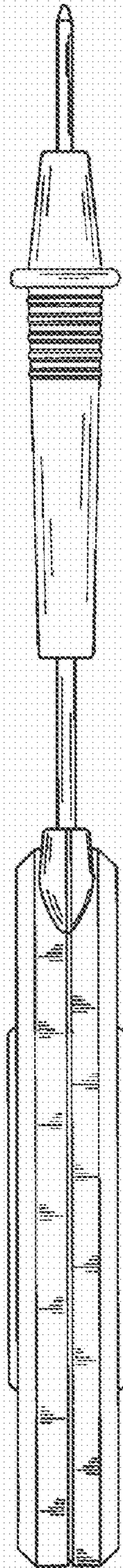


Fig. 5

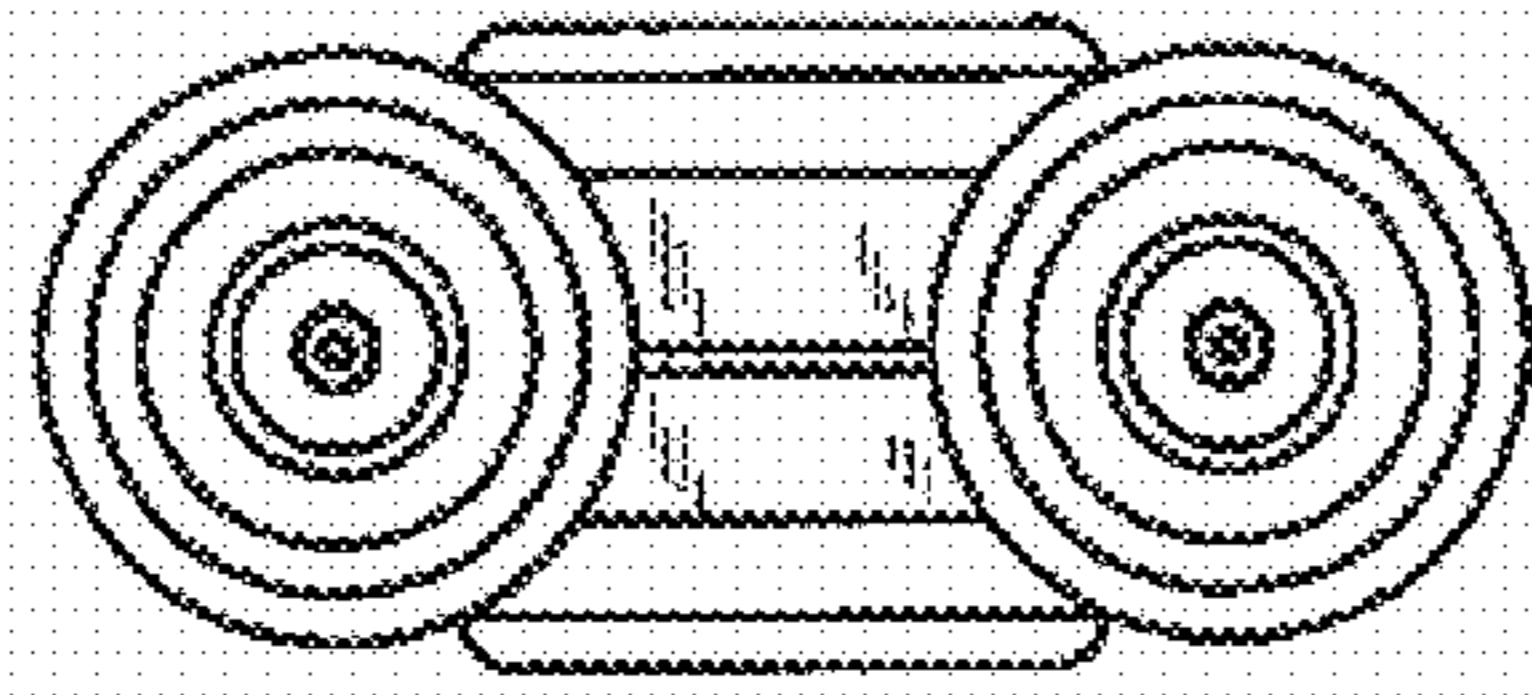


Fig. 6

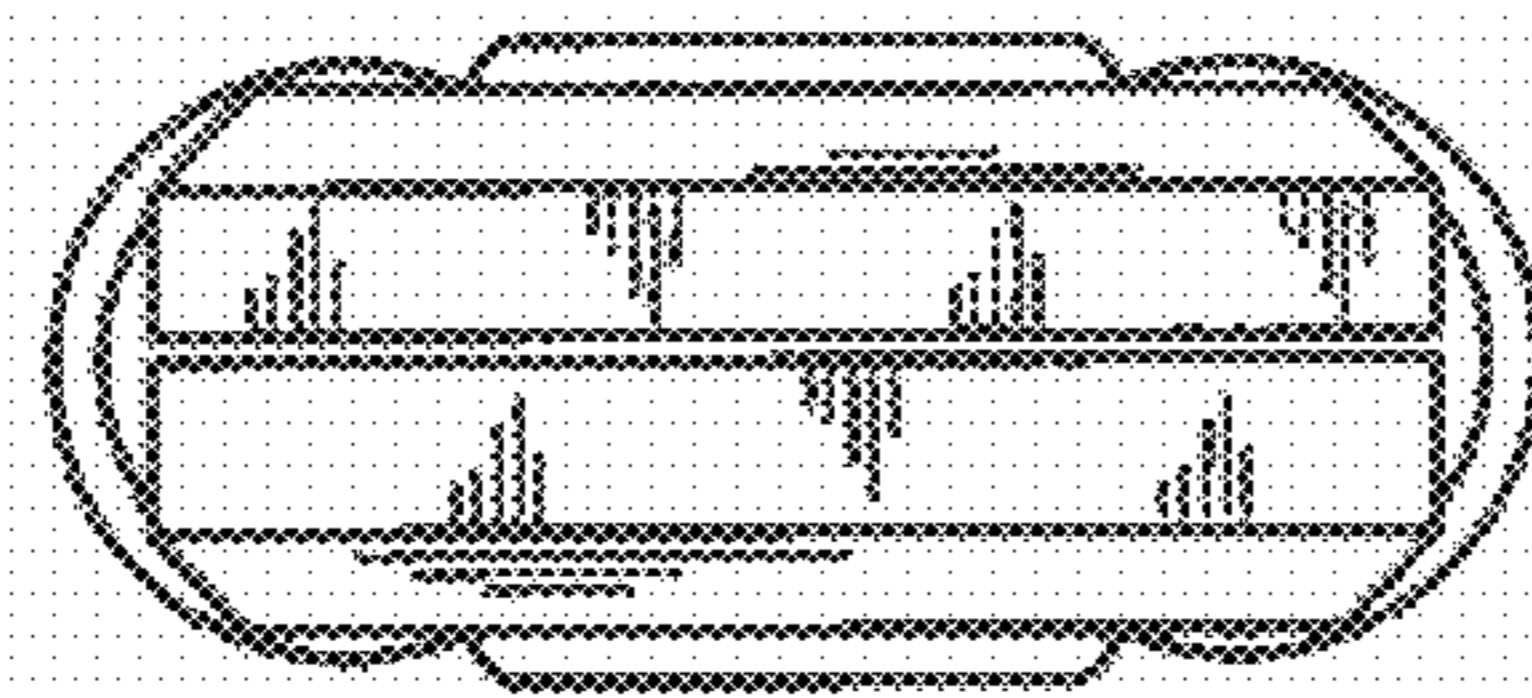


Fig. 7