



US00D629316S

(12) **United States Design Patent**  
**Riddiford**

(10) **Patent No.:** **US D629,316 S**

(45) **Date of Patent:** **\*\* Dec. 21, 2010**

(54) **MOUNT ASSEMBLY FOR A NAVIGATION DEVICE**

D560,526 S \* 1/2008 Skelton et al. .... D10/74  
D566,590 S \* 4/2008 Stevens et al. .... D10/74  
D576,865 S \* 9/2008 Chiang et al. .... D8/349  
7,766,296 B2 \* 8/2010 Choi et al. .... 248/346.01

(75) Inventor: **Martin Riddiford**, London (GB)

\* cited by examiner

(73) Assignee: **TomTom International B.V.**,  
Amsterdam (NL)

*Primary Examiner*—Antoine D Davis

(\*\*) Term: **14 Years**

(74) *Attorney, Agent, or Firm*—Harness, Dickey & Pierce,  
P.L.C.

(21) Appl. No.: **29/353,412**

(57) **CLAIM**

(22) Filed: **Jan. 8, 2010**

The ornamental design for a mount assembly for a navigation device, as shown and described.

(51) **LOC (9) Cl.** ..... **10-04**

(52) **U.S. Cl.** ..... **D10/74**

(58) **Field of Classification Search** ..... D8/349;  
D10/74; D14/347; 73/178 R; 248/346.01,  
248/671, 904, 314, 309.1, 689, 670, 122.1,  
248/125.1, 128, 130, 133, 139, 176.1, 313;  
340/995; 342/351, 419, 457, 357.06–357.13;  
343/702; 345/87, 104, 133, 156, 168, 173,  
345/901–905; 348/180, 184, 315, 739; 364/200,  
364/434, 443, 444, 449, 451, 708.1, 709.1;  
701/206–209, 213–214; 206/305, 701, 335;  
220/810–817; 224/400, 483, 282, 428–462  
See application file for complete search history.

**DESCRIPTION**

FIG. 1 is a perspective view of a mount assembly for a navigation device showing my new design;

FIG. 2 is a front view thereof;

FIG. 3 is a rear view thereof;

FIG. 4 is a left side view thereof;

FIG. 5 is a right side view thereof;

FIG. 6 is a top view thereof;

FIG. 7 is a bottom view thereof; and,

FIG. 8 is a view of the mount assembly attached to a navigation device.

The broken lines shown in the drawings are for illustrative purposes only and from no part of the claimed design.

(56) **References Cited**

U.S. PATENT DOCUMENTS

D560,523 S \* 1/2008 Nakamura ..... D10/74  
D560,525 S \* 1/2008 Skelton et al. .... D10/74

**1 Claim, 5 Drawing Sheets**

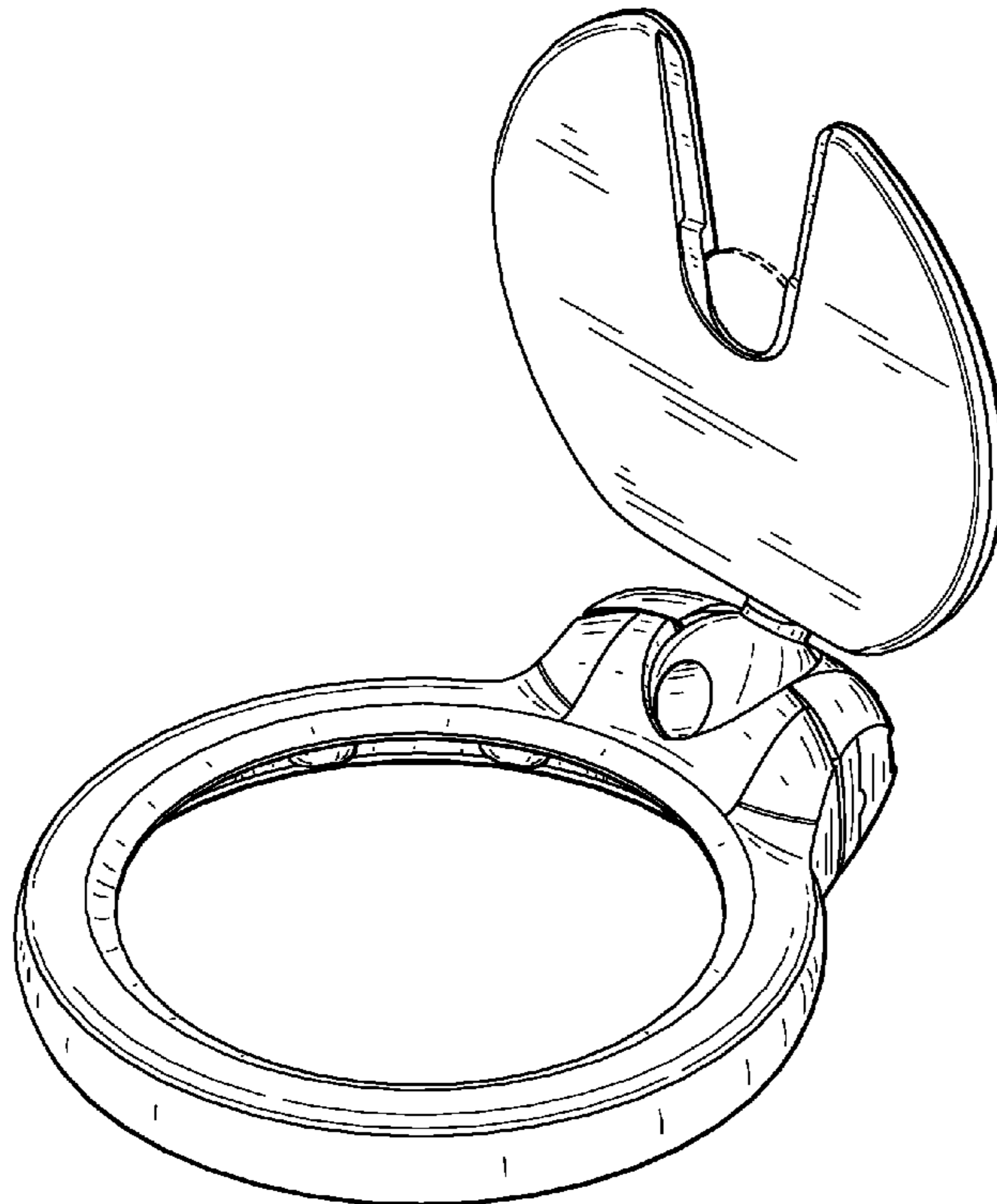


FIG. 1

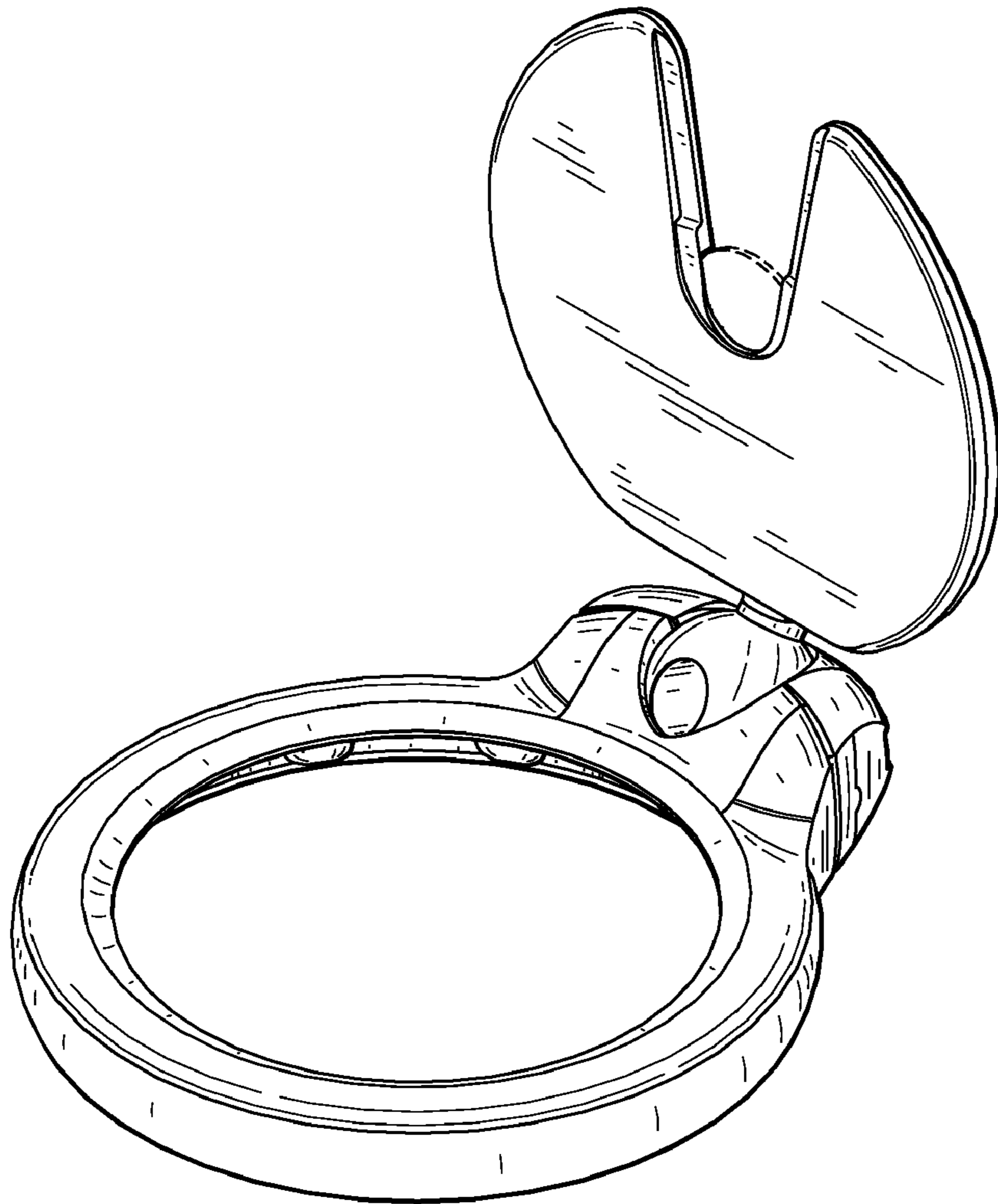


FIG. 2

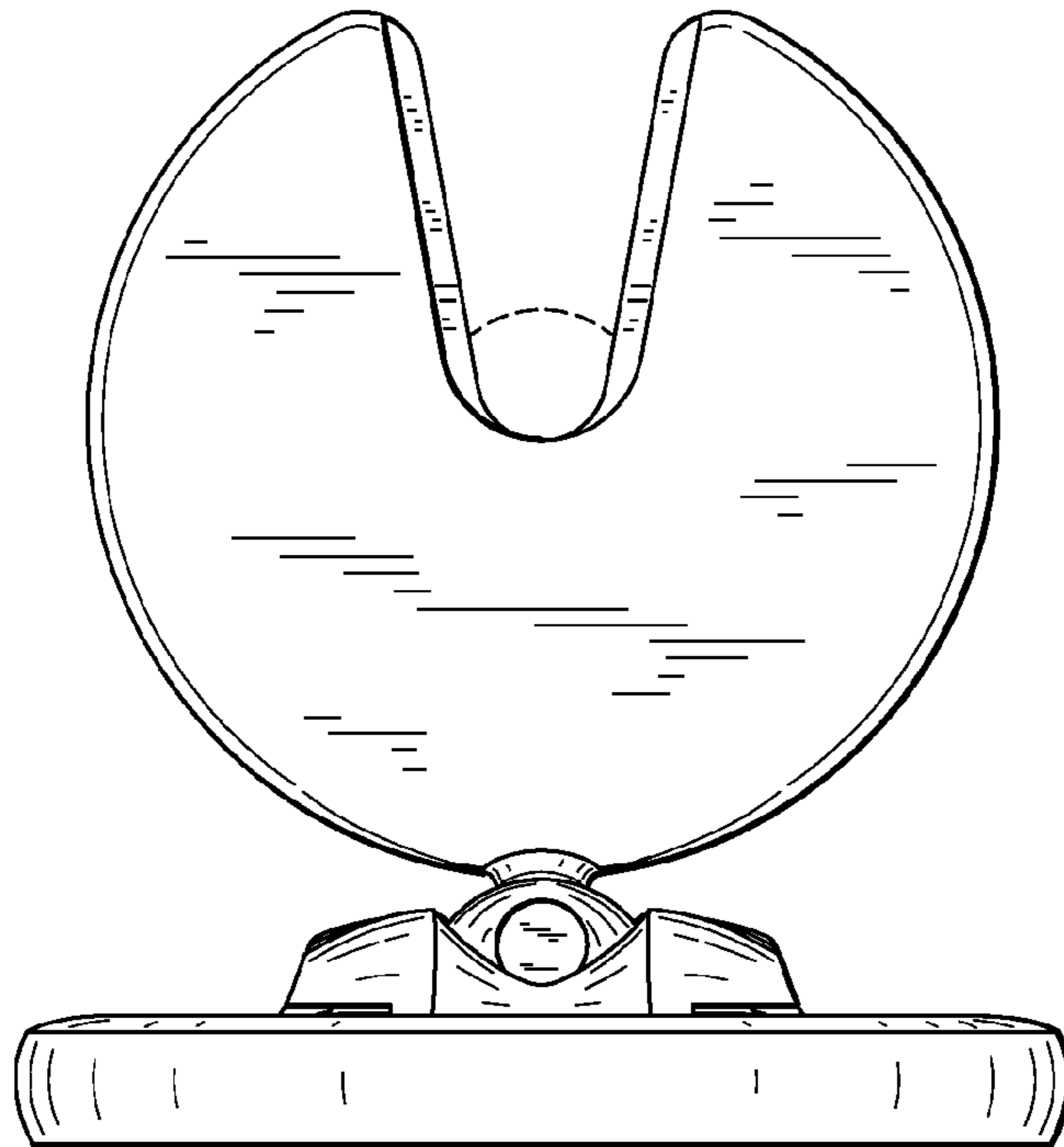


FIG. 3

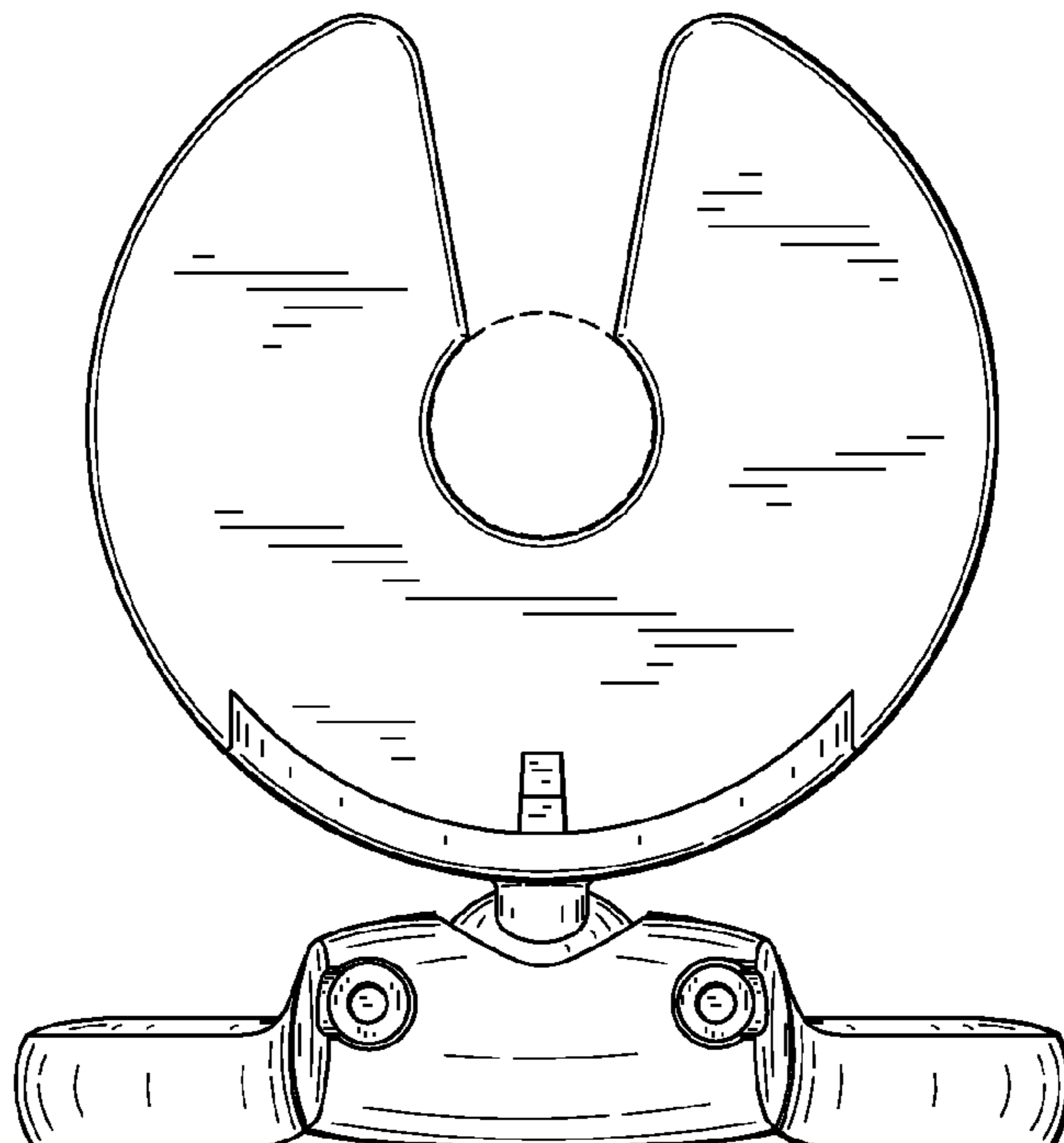


FIG. 4

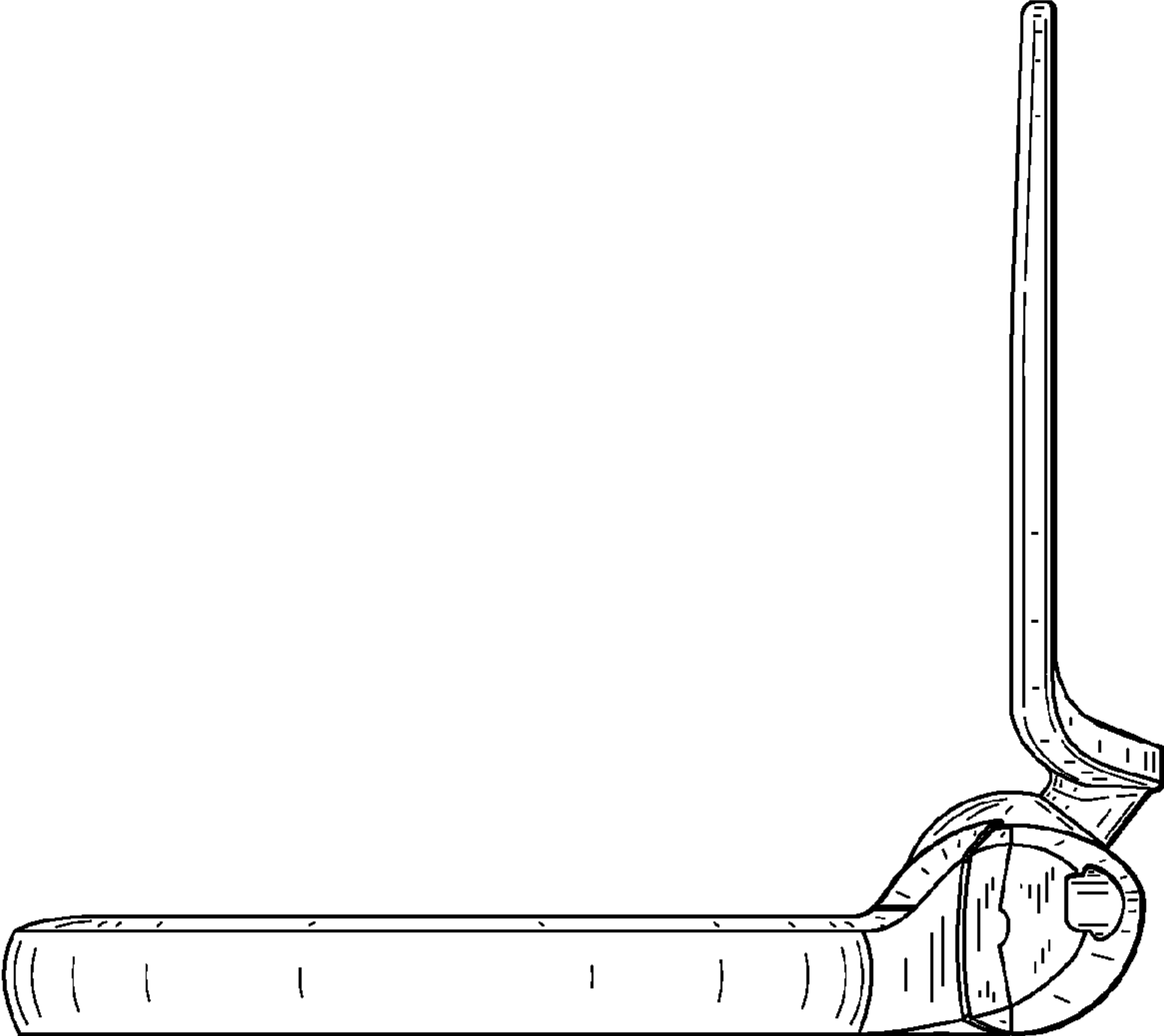


FIG. 5

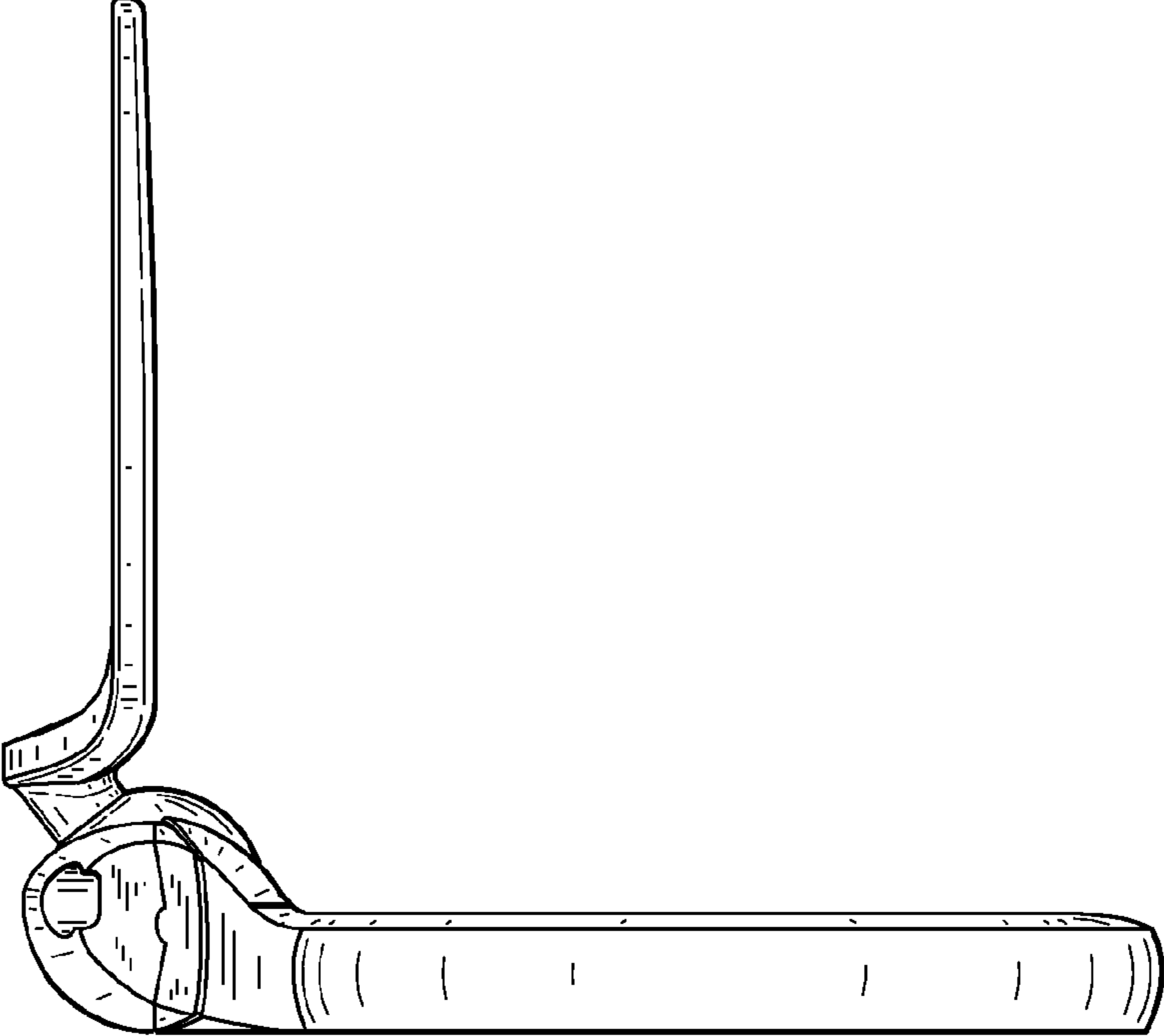


FIG. 6

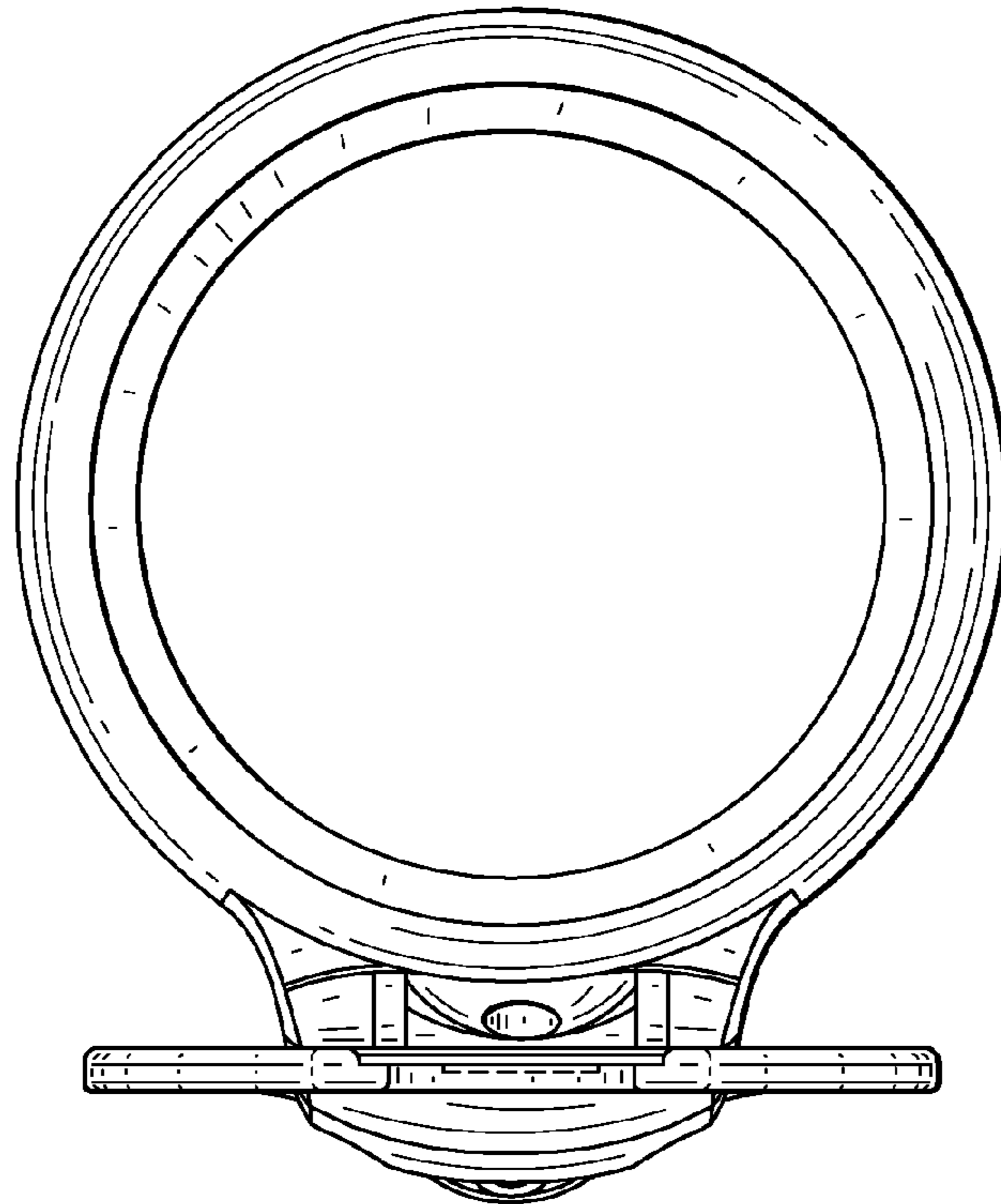


FIG. 7

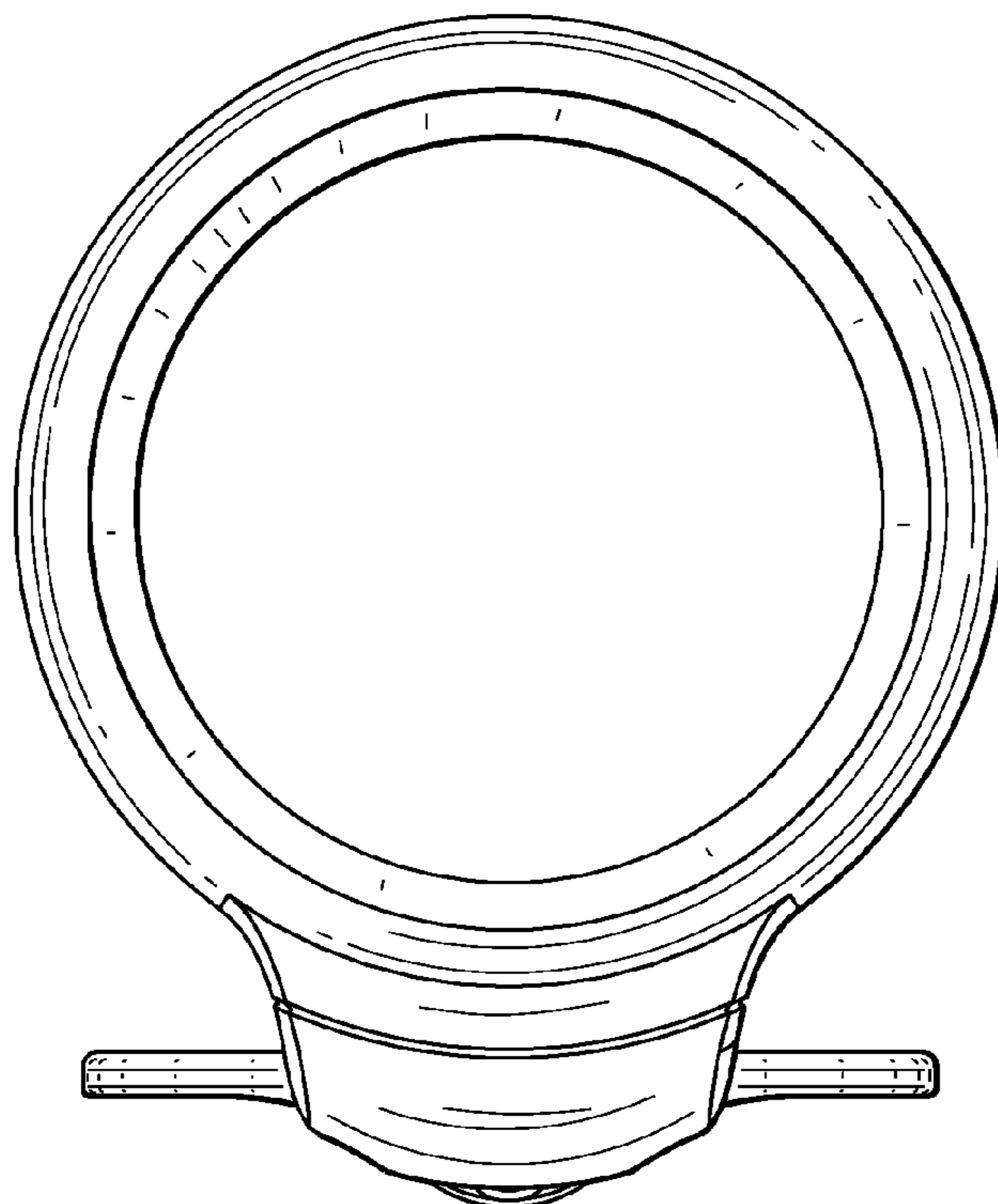


FIG. 8

