



US00D629314S

(12) **United States Design Patent**
Ogasawara

(10) **Patent No.:** **US D629,314 S**

(45) **Date of Patent:** **** Dec. 21, 2010**

(54) **ELECTRONIC TACHEOMETER**

(75) Inventor: **Michiyo Ogasawara**, Tokyo (JP)

(73) Assignee: **Nikon-Trimble Co., Ltd.**, Tokyo (JP)

(**) Term: **14 Years**

(21) Appl. No.: **29/345,339**

(22) Filed: **Oct. 14, 2009**

(30) **Foreign Application Priority Data**

Apr. 23, 2009 (JP) 2009-009438

(51) **LOC (9) Cl.** **10-04**

(52) **U.S. Cl.** **D10/66; D10/69**

(58) **Field of Classification Search** D10/66,
D10/69; 33/276, 277, 281, 285, 286, 290,
33/291–299, DIG. 21; 340/539, 825.36,
340/825.46, 825.49; 356/5.15, 4.01, 5.01,
356/4.05, 5.05–5.09, 5.12, 28.5, 345, 375,
356/3.01, 128–155, 399–400; 385/83, 97–99,
385/134–139; 701/211–213, 150, 158; 264/1.24–1.25
See application file for complete search history.

(56) **References Cited**

U.S. PATENT DOCUMENTS

D389,418 S * 1/1998 Takayama et al. D10/66
D409,507 S * 5/1999 Ishii D10/66
D427,087 S * 6/2000 Kaneko et al. D10/66
D526,223 S * 8/2006 Ishii et al. D10/66
D558,075 S * 12/2007 Ishii D10/66

D576,062 S * 9/2008 Hayamizu et al. D10/66
7,552,539 B2 * 6/2009 Piekutowski 33/286
7,564,488 B2 * 7/2009 Kumagai et al. 348/240.3
7,583,373 B2 * 9/2009 Schwarz 356/141.2
D605,959 S * 12/2009 Apotheloz D10/66
7,669,340 B2 * 3/2010 Matsuo et al. 33/290
7,726,033 B2 * 6/2010 Ohtomo et al. 33/275 R
7,739,803 B2 * 6/2010 Yahagi et al. 33/290

* cited by examiner

Primary Examiner—Antoine D Davis

(74) *Attorney, Agent, or Firm*—Oliff & Berridge, PLC

(57) **CLAIM**

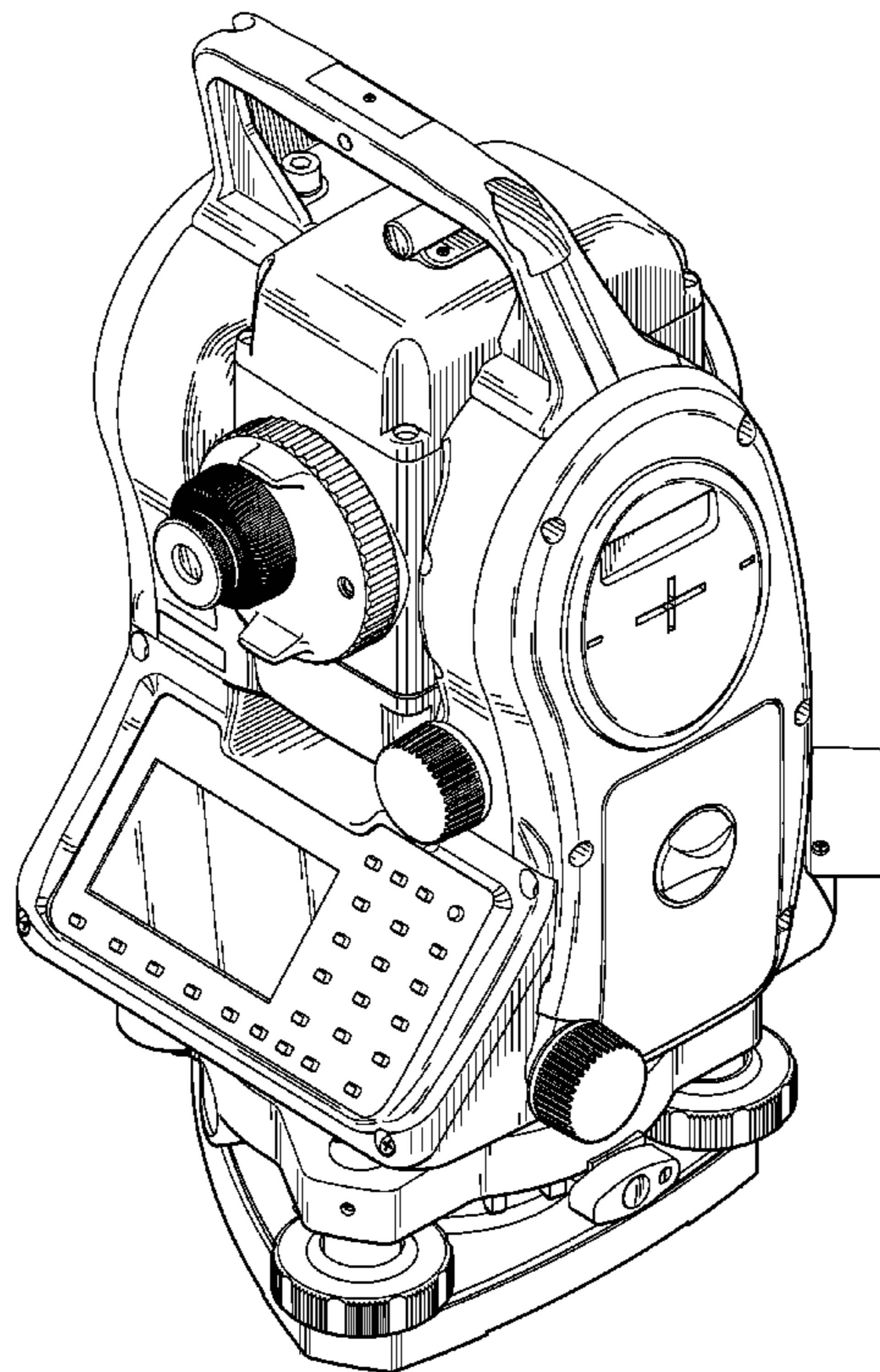
The ornamental design for an electronic tacheometer, as shown and described.

DESCRIPTION

FIG. 1 is a perspective view of an electronic tacheometer;
FIG. 2 is a front view thereof;
FIG. 3 is a top view thereof;
FIG. 4 is a right side view thereof;
FIG. 5 is a left side view thereof;
FIG. 6 is a rear view thereof;
FIG. 7 is a bottom view thereof; and,
FIG. 8 is another perspective view thereof.

The broken lines depict environmental subject matter only and form no part of the claimed design.

1 Claim, 8 Drawing Sheets



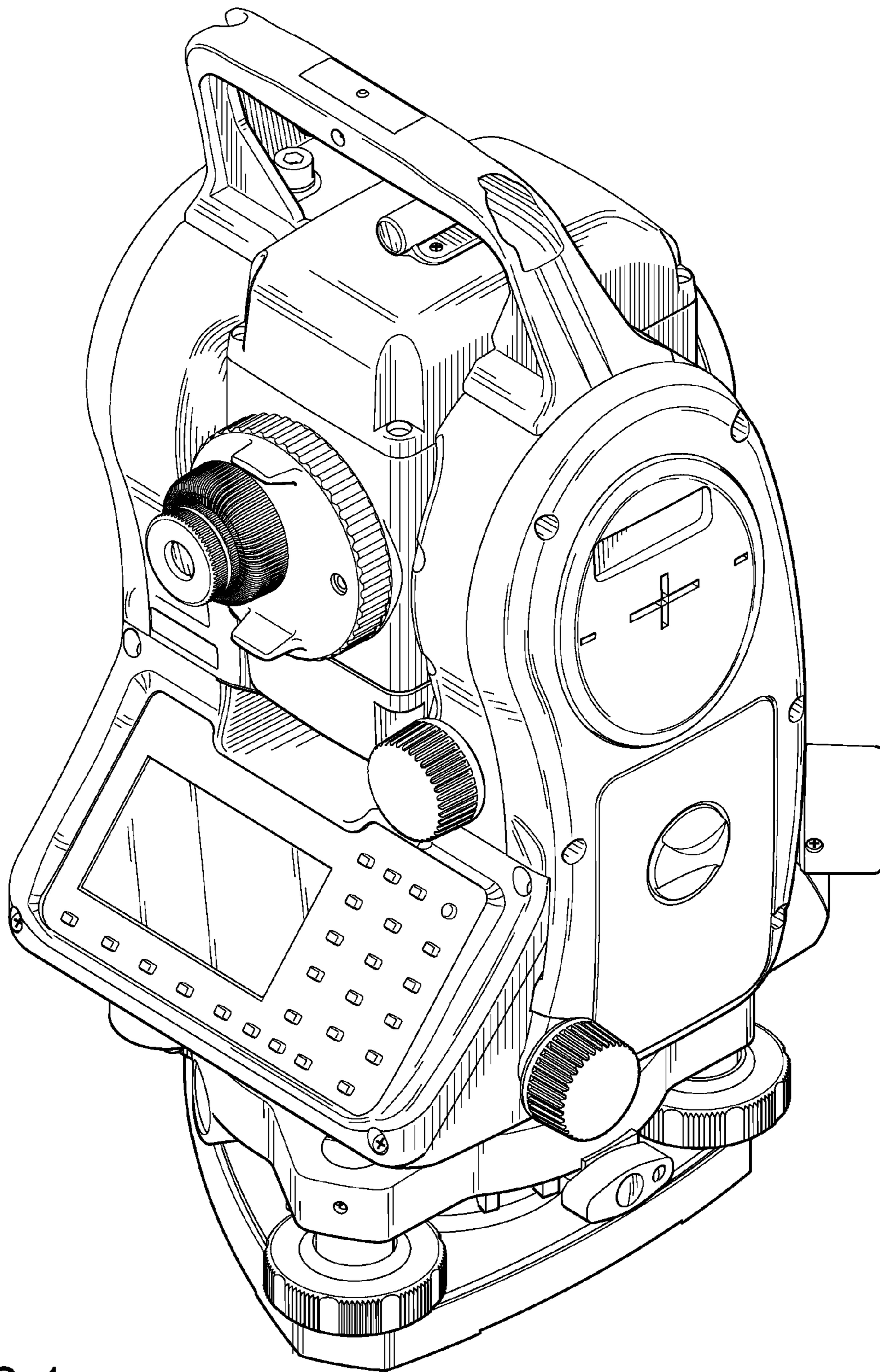


FIG. 1

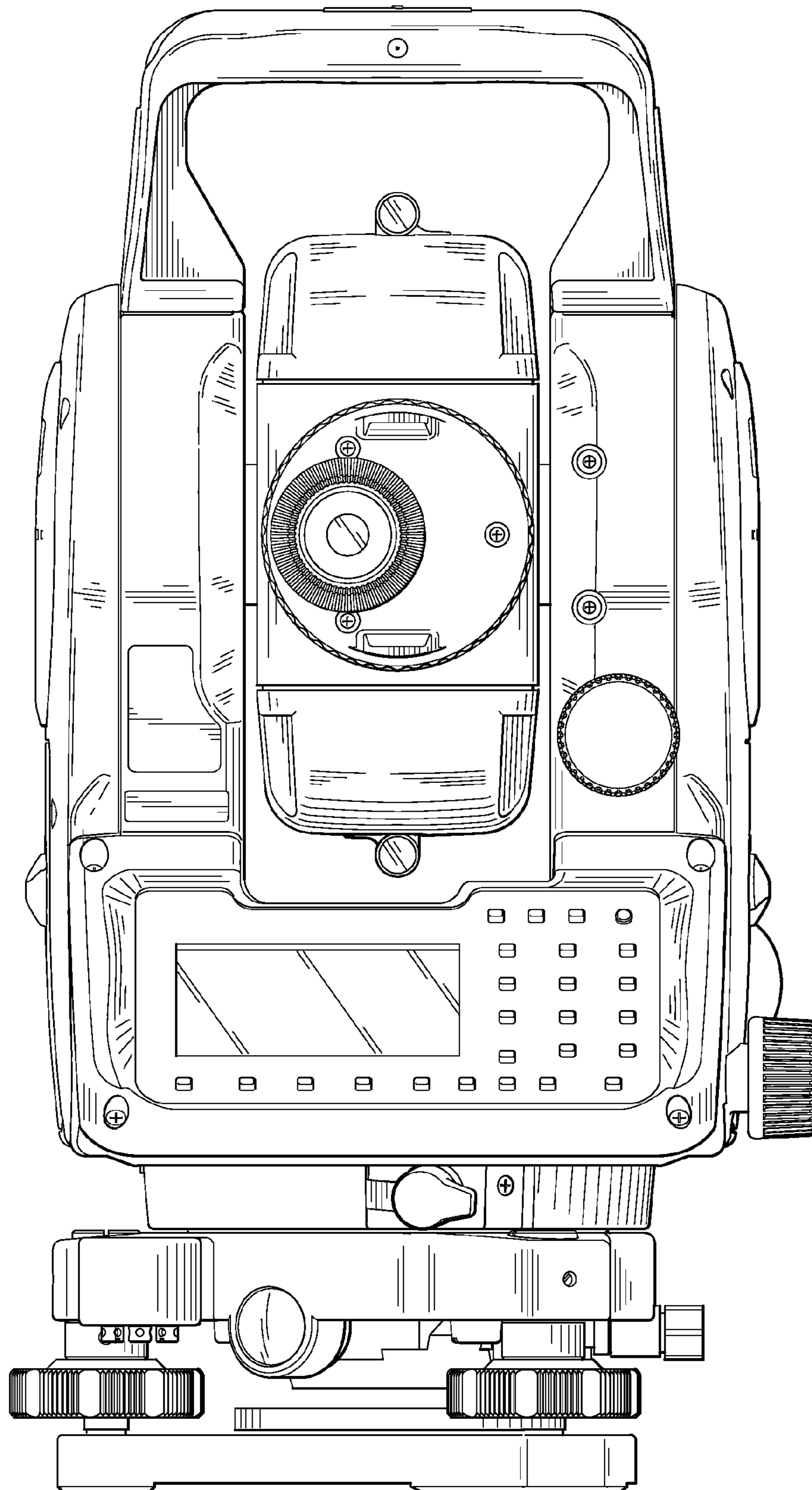


FIG. 2

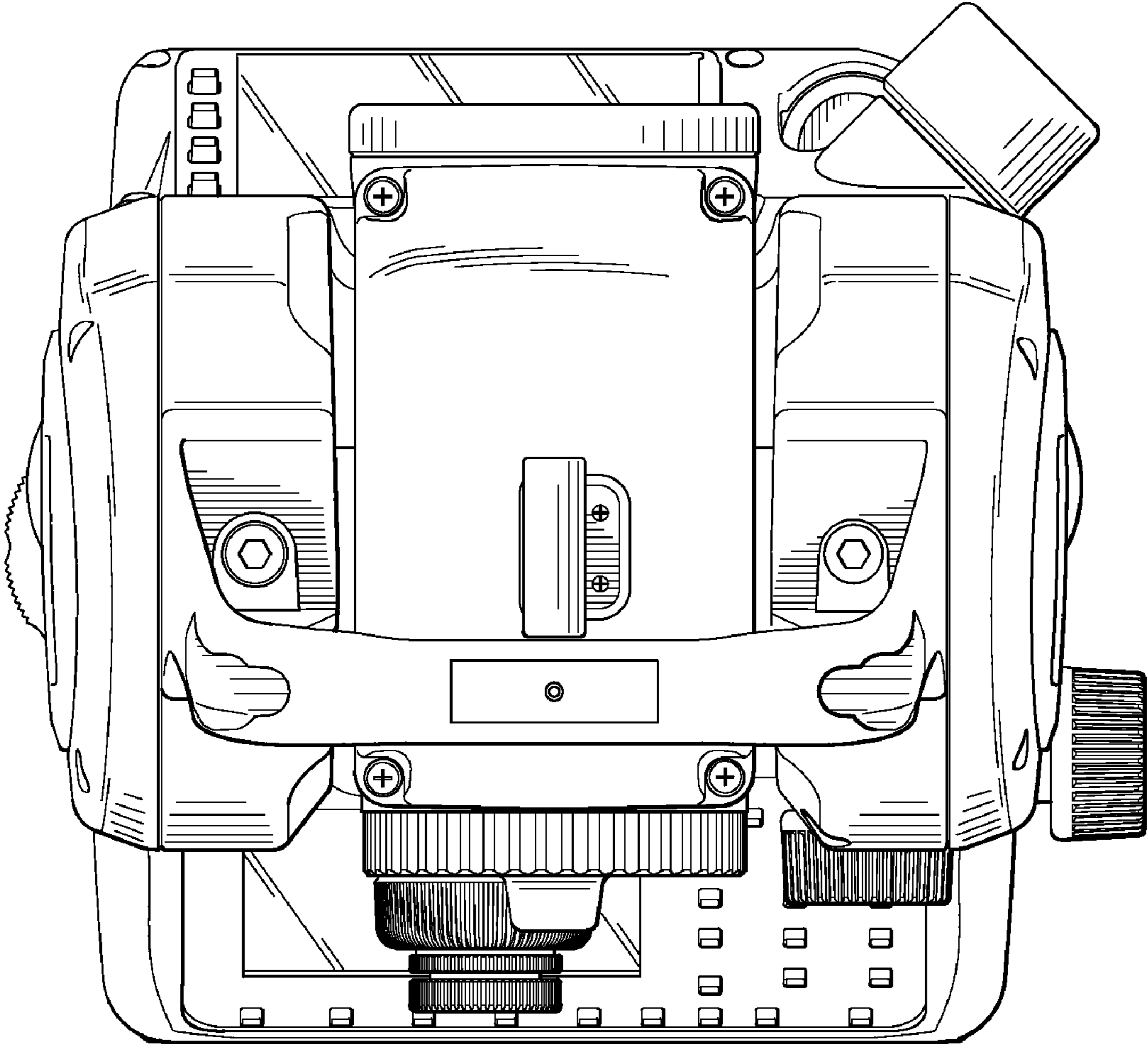


FIG. 3

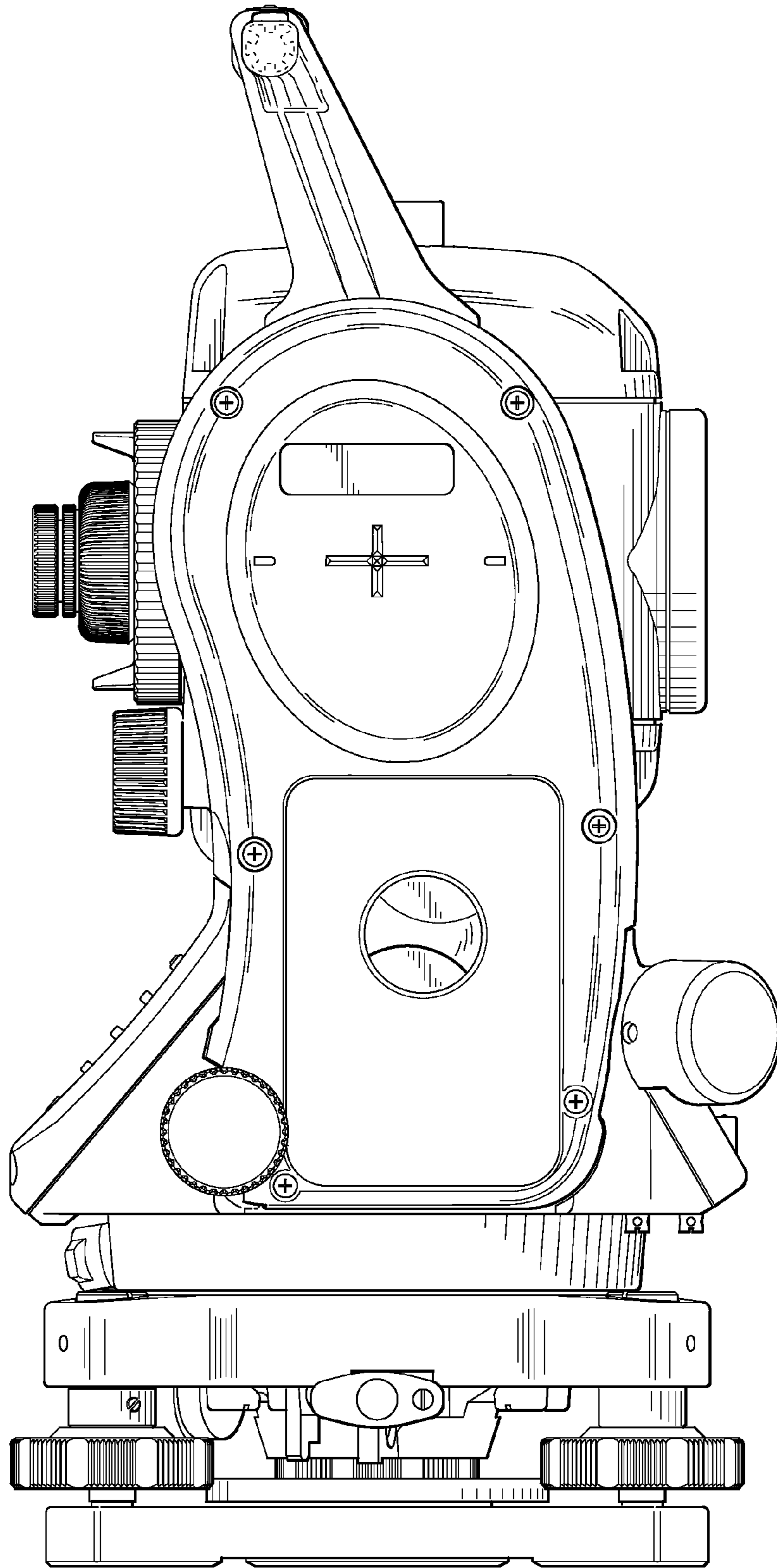


FIG. 4

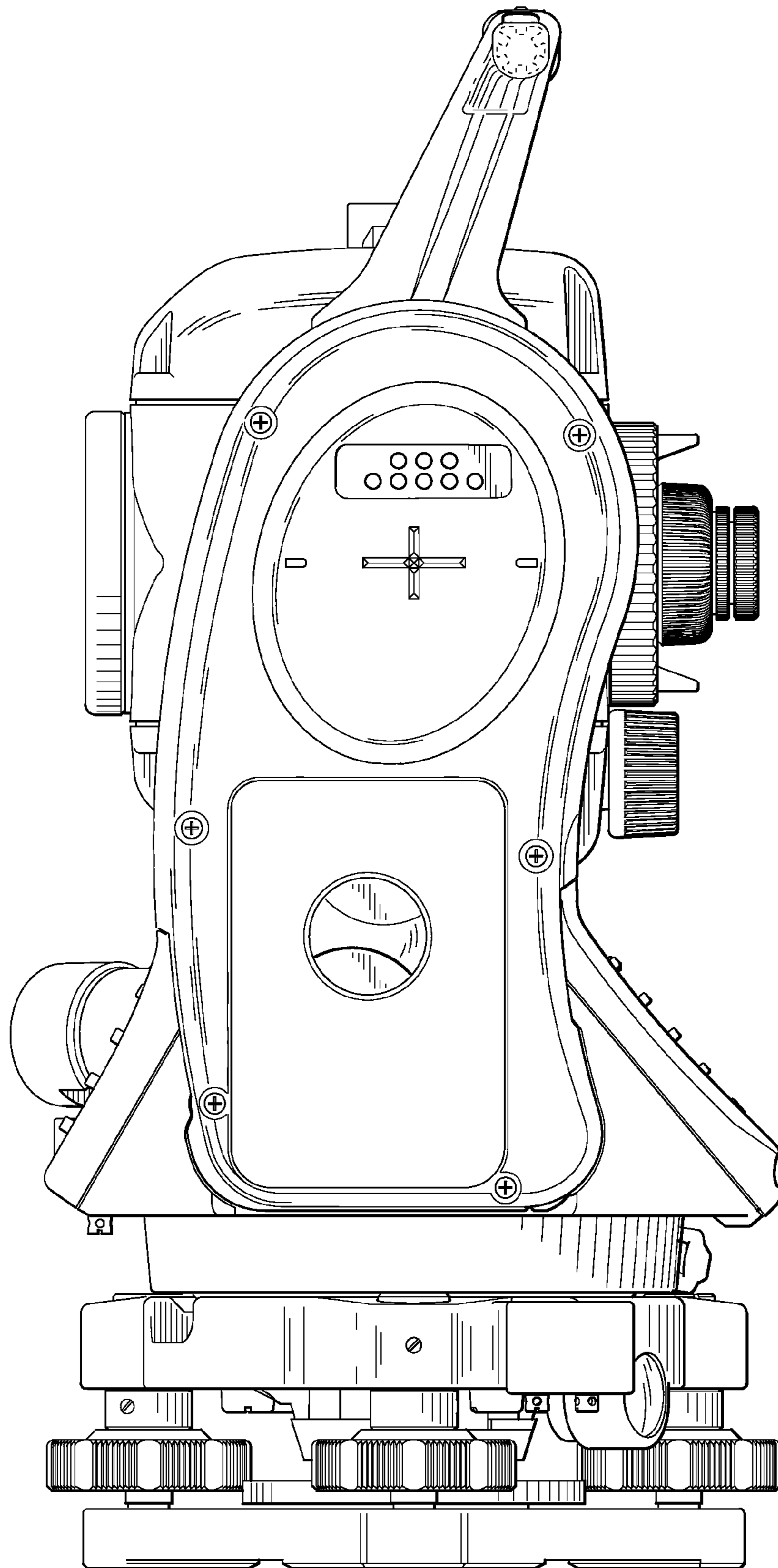


FIG. 5

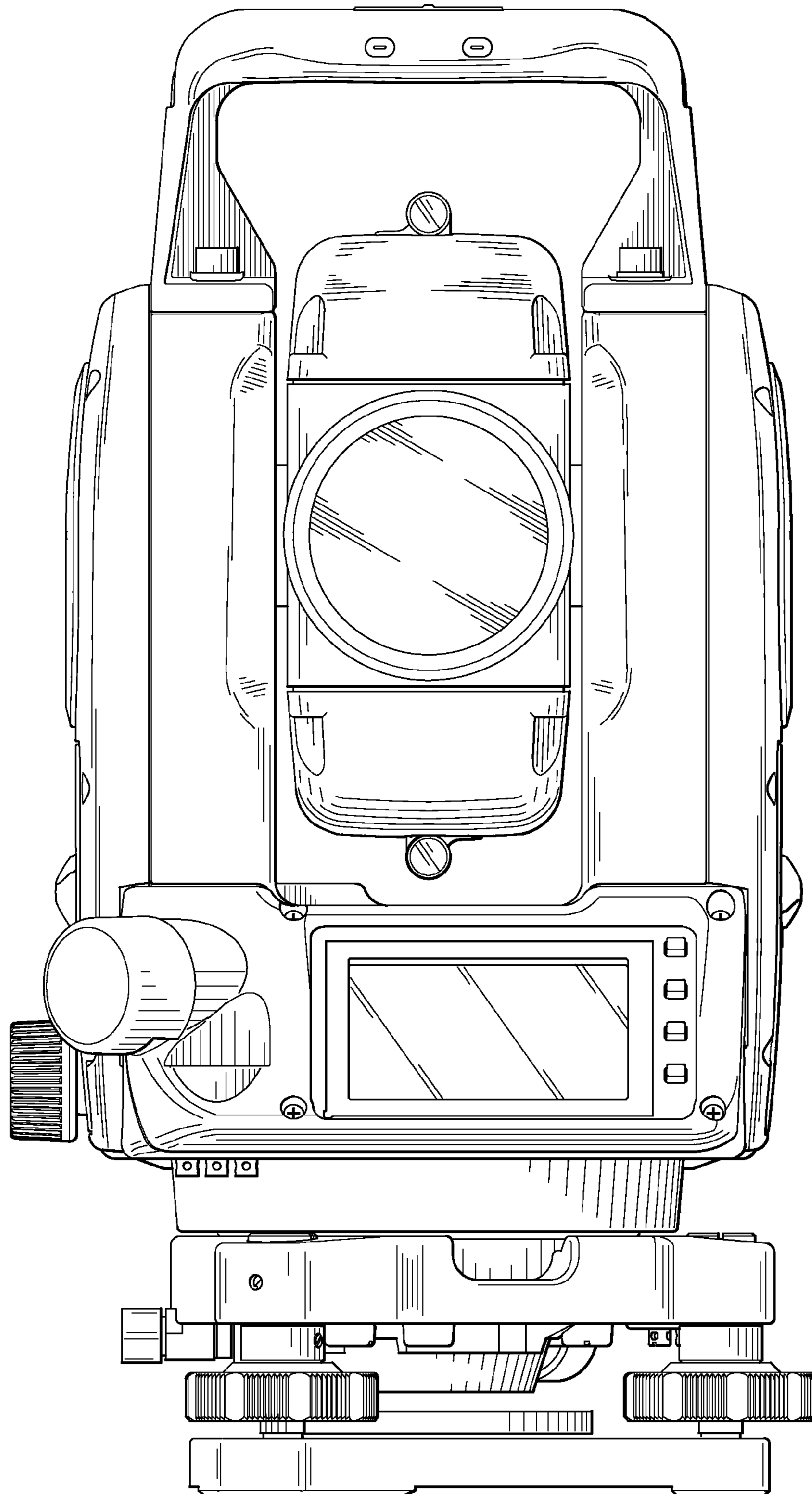


FIG. 6

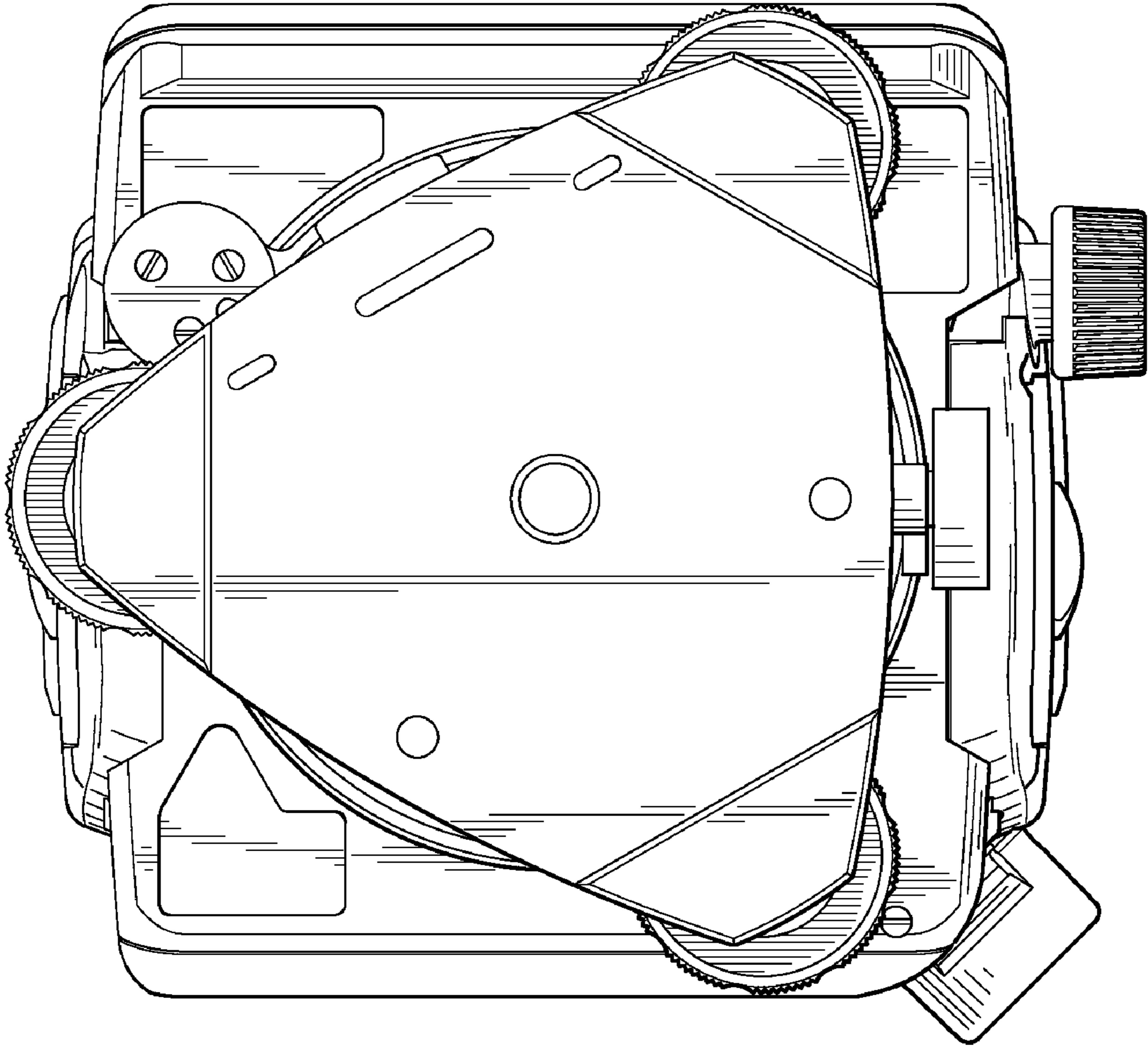


FIG. 7

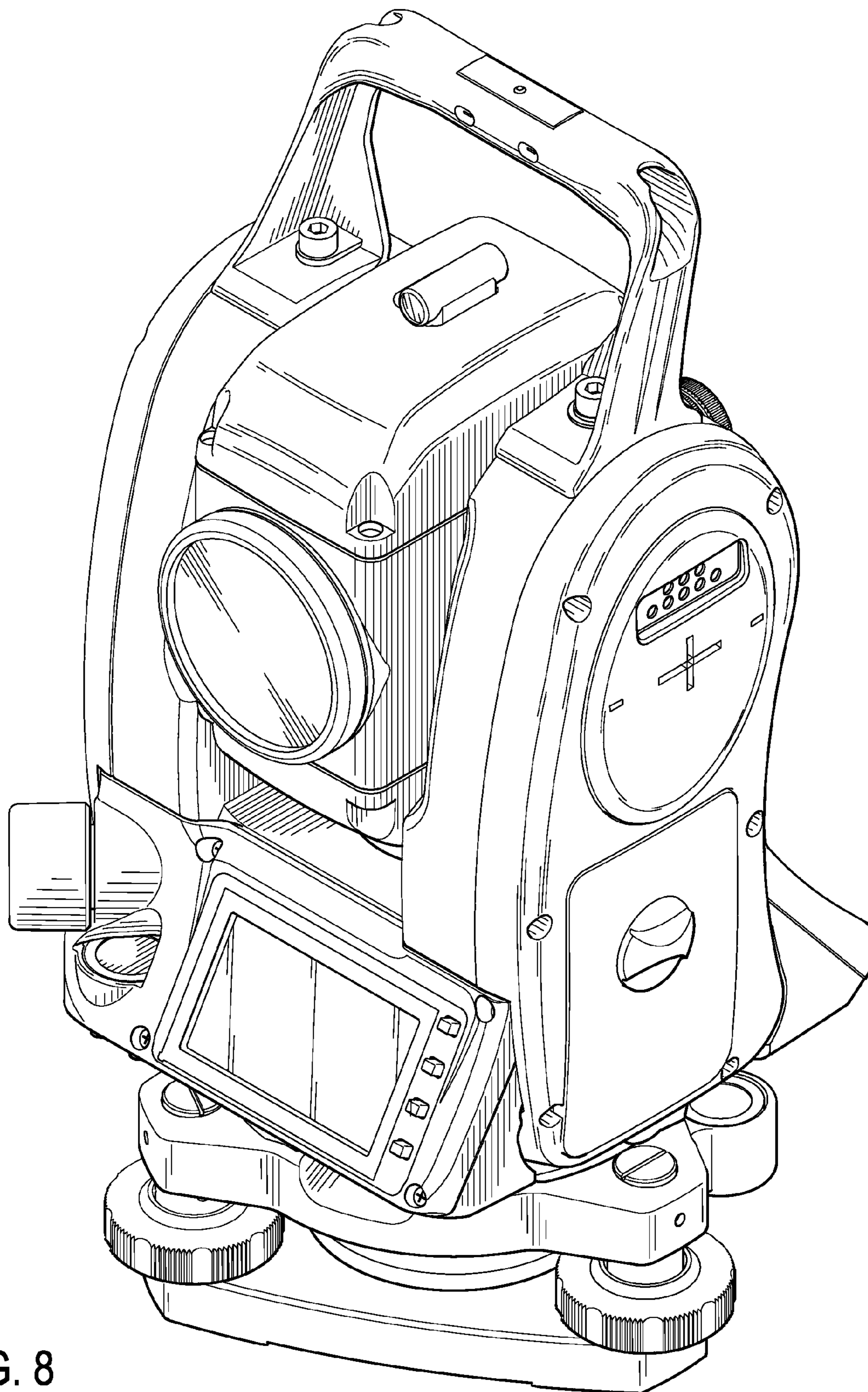


FIG. 8