



US00D629311S

(12) **United States Design Patent**
Giannini

(10) **Patent No.:** **US D629,311 S**

(45) **Date of Patent:** **** Dec. 21, 2010**

(54) **WRISTWATCH**

(75) Inventor: **Frida Giannini**, Florence (IT)

(73) Assignee: **Luxury Timepieces International SA**,
Cortailod (CH)

(**) Term: **14 Years**

(21) Appl. No.: **29/364,246**

(22) Filed: **Jun. 21, 2010**

(30) **Foreign Application Priority Data**

Feb. 9, 2010 (CH) 136683

(51) **LOC (9) Cl.** **10-02**

(52) **U.S. Cl.** **D10/31; D10/39**

(58) **Field of Classification Search** D10/30-39,
D10/122-132; 368/276, 281, 282, 285; D11/3,
D11/12

See application file for complete search history.

(56) **References Cited**

U.S. PATENT DOCUMENTS

D91,261 S *	1/1934	Baer	D11/13
2,165,115 A *	7/1939	Schultheiss	224/177
D260,615 S *	9/1981	Maroni	D10/32
4,706,857 A *	11/1987	Aellen et al.	224/164
D314,153 S *	1/1991	Ratajski	D10/32
D324,828 S *	3/1992	Wunderman	D10/32
D340,650 S *	10/1993	Iwamura	D10/32
D353,544 S *	12/1994	Reich	D10/32
D364,819 S *	12/1995	Wunderman	D10/32
D371,745 S *	7/1996	Wunderman	D10/32
D382,494 S *	8/1997	Wunderman	D10/32
5,914,913 A *	6/1999	Shriqui	368/282

D497,111 S *	10/2004	Modolo	D10/32
D510,037 S *	9/2005	Modolo	D10/32
D510,282 S *	10/2005	Modolo	D10/32
D518,741 S *	4/2006	Modolo	D10/32
D519,854 S *	5/2006	Modolo	D10/32
D535,200 S *	1/2007	Modolo	D10/32
D551,097 S *	9/2007	Modolo	D10/32
D567,675 S *	4/2008	Giannini	D10/31
D573,040 S *	7/2008	Giannini	D10/32
D575,167 S *	8/2008	Giannini	D10/32
D586,237 S *	2/2009	Giannini	D10/32
D610,472 S *	2/2010	Nashimoto	D10/32

* cited by examiner

Primary Examiner—Lucy Lieberman

(74) *Attorney, Agent, or Firm*—Oblon, Spivak, McClelland,
Maier & Neustadt, L.L.P.

(57) **CLAIM**

The ornamental design for a wristwatch, as shown and described.

DESCRIPTION

FIG. 1 is a front and right side perspective view of a wristwatch;

FIG. 2 is a front elevational view thereof;

FIG. 3 is a rear elevational view thereof;

FIG. 4 is a right side elevational view thereof;

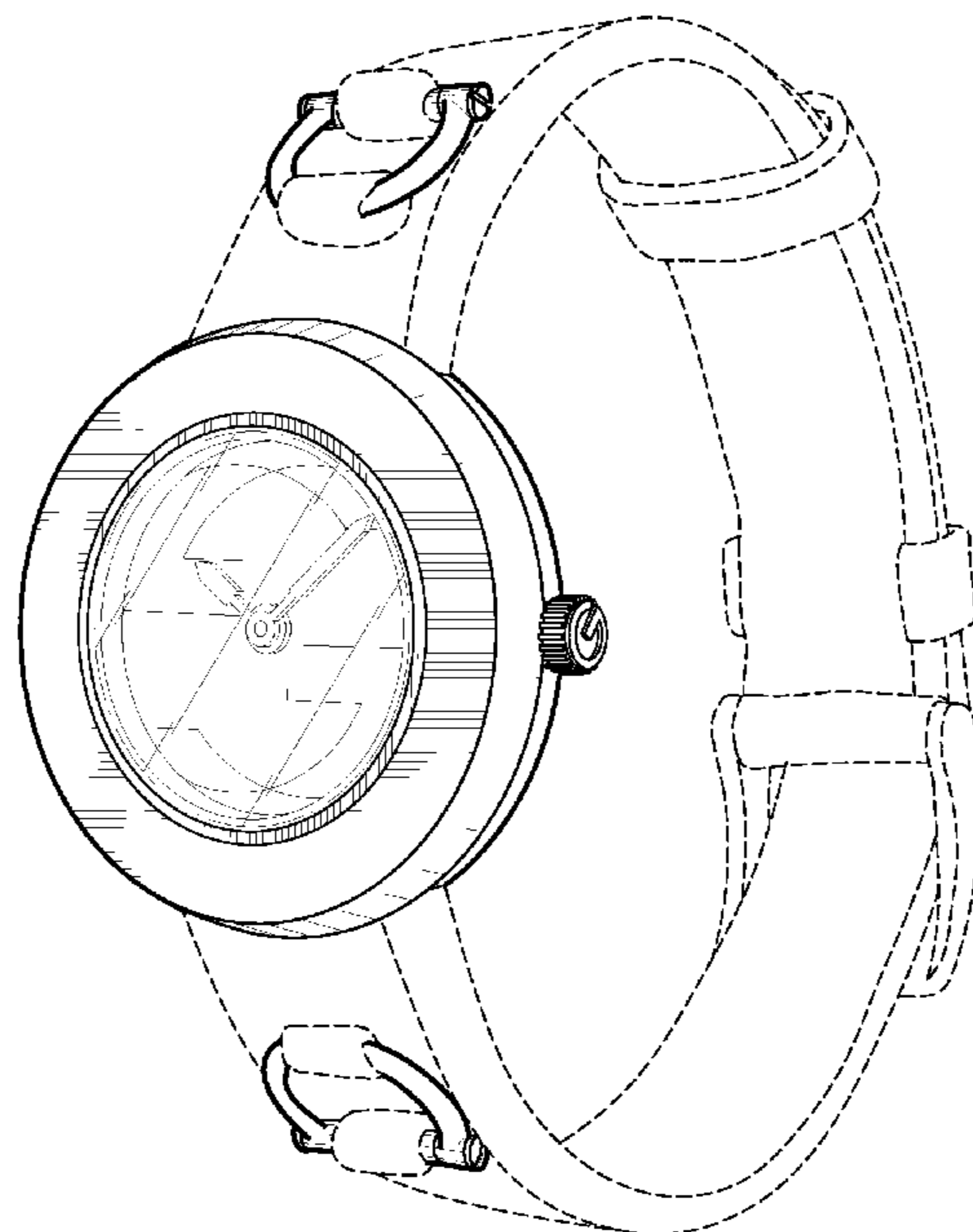
FIG. 5 is a left side elevational view thereof;

FIG. 6 is a bottom plan view thereof; and,

FIG. 7 is a top plan view thereof.

The broken lines in the drawings depict environmental subject matter only and form no part of the claimed design.

1 Claim, 7 Drawing Sheets



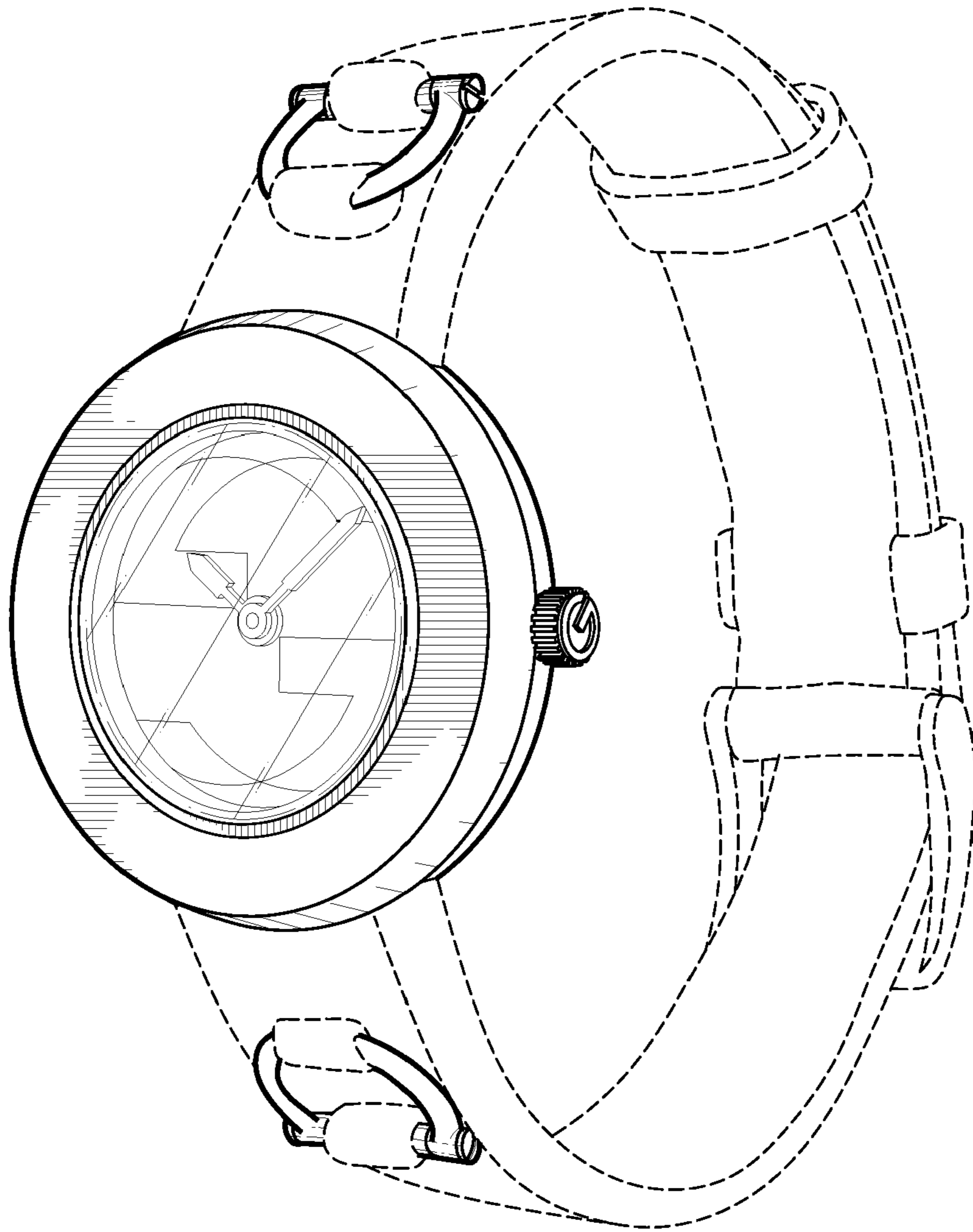


FIG. 1

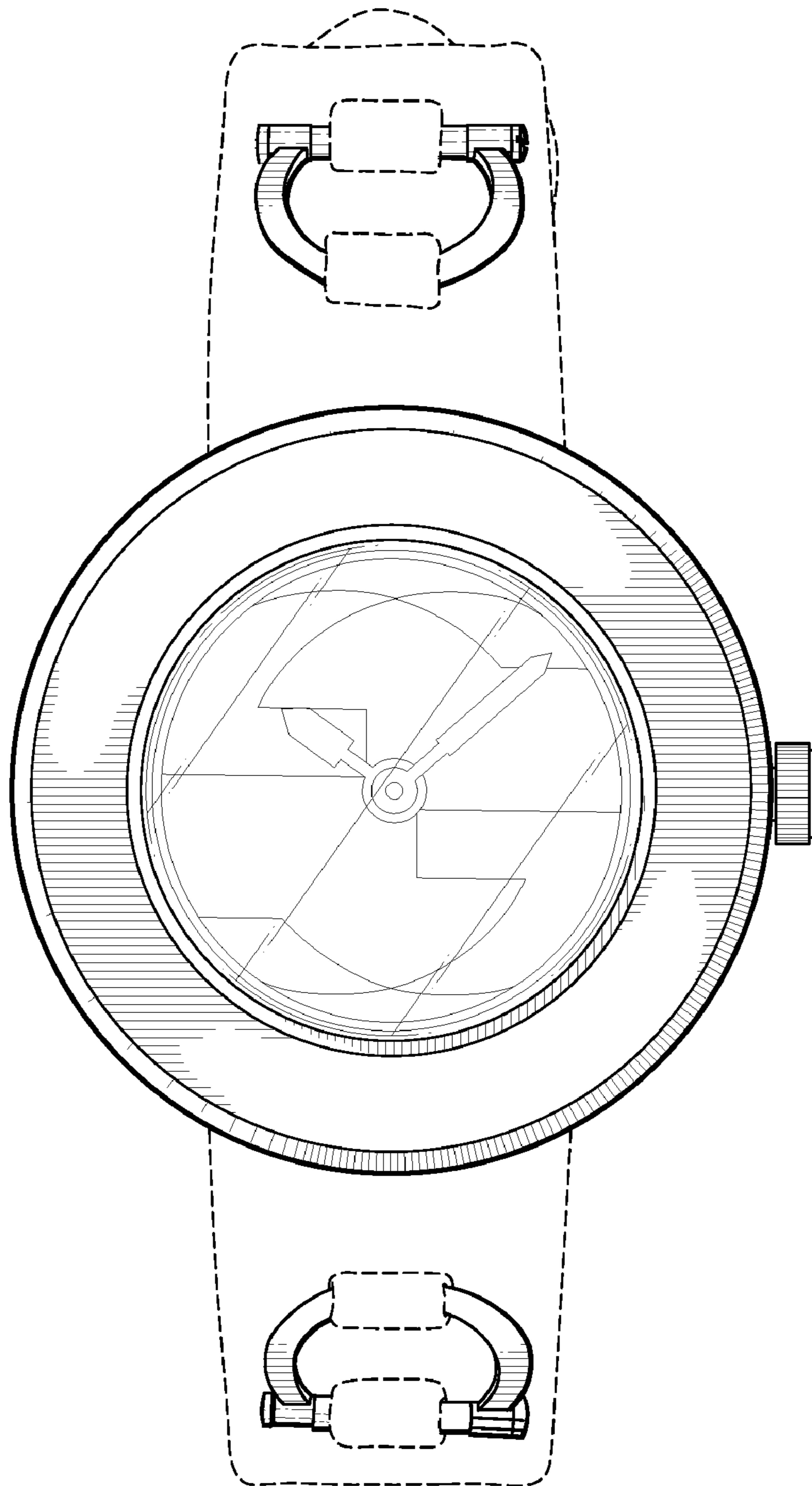


FIG. 2

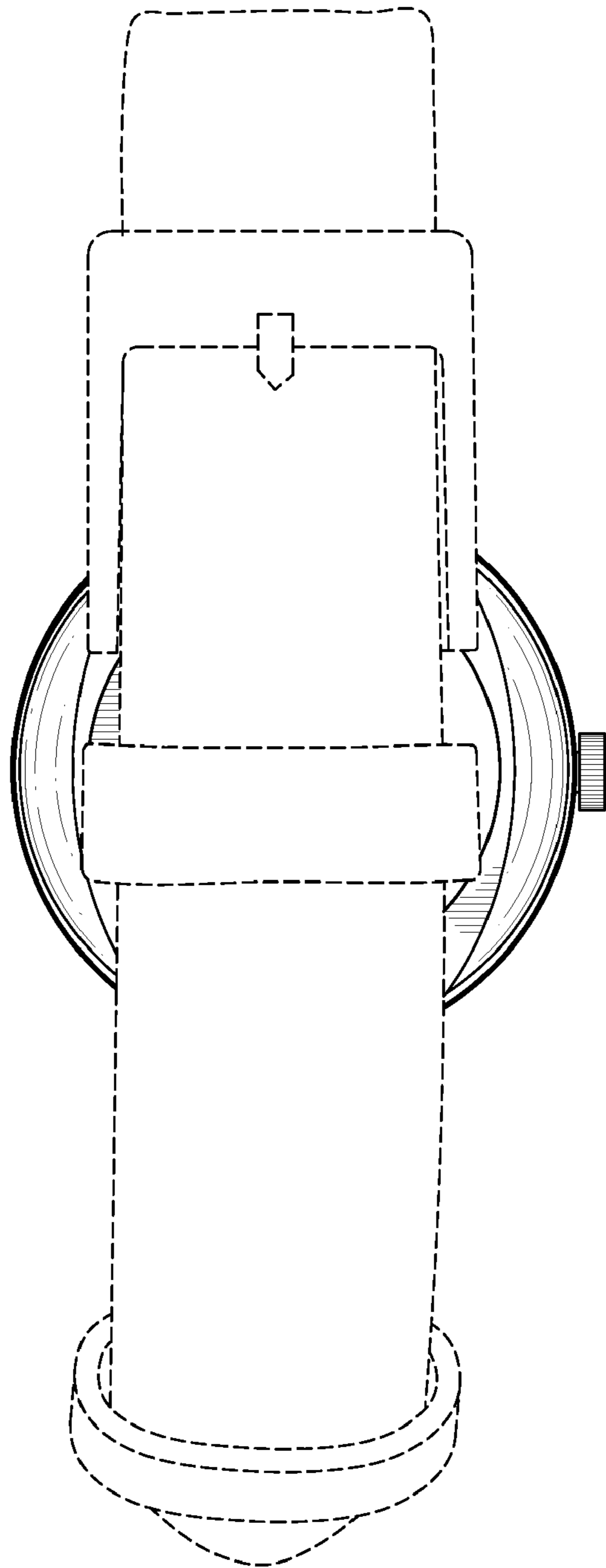


FIG.3

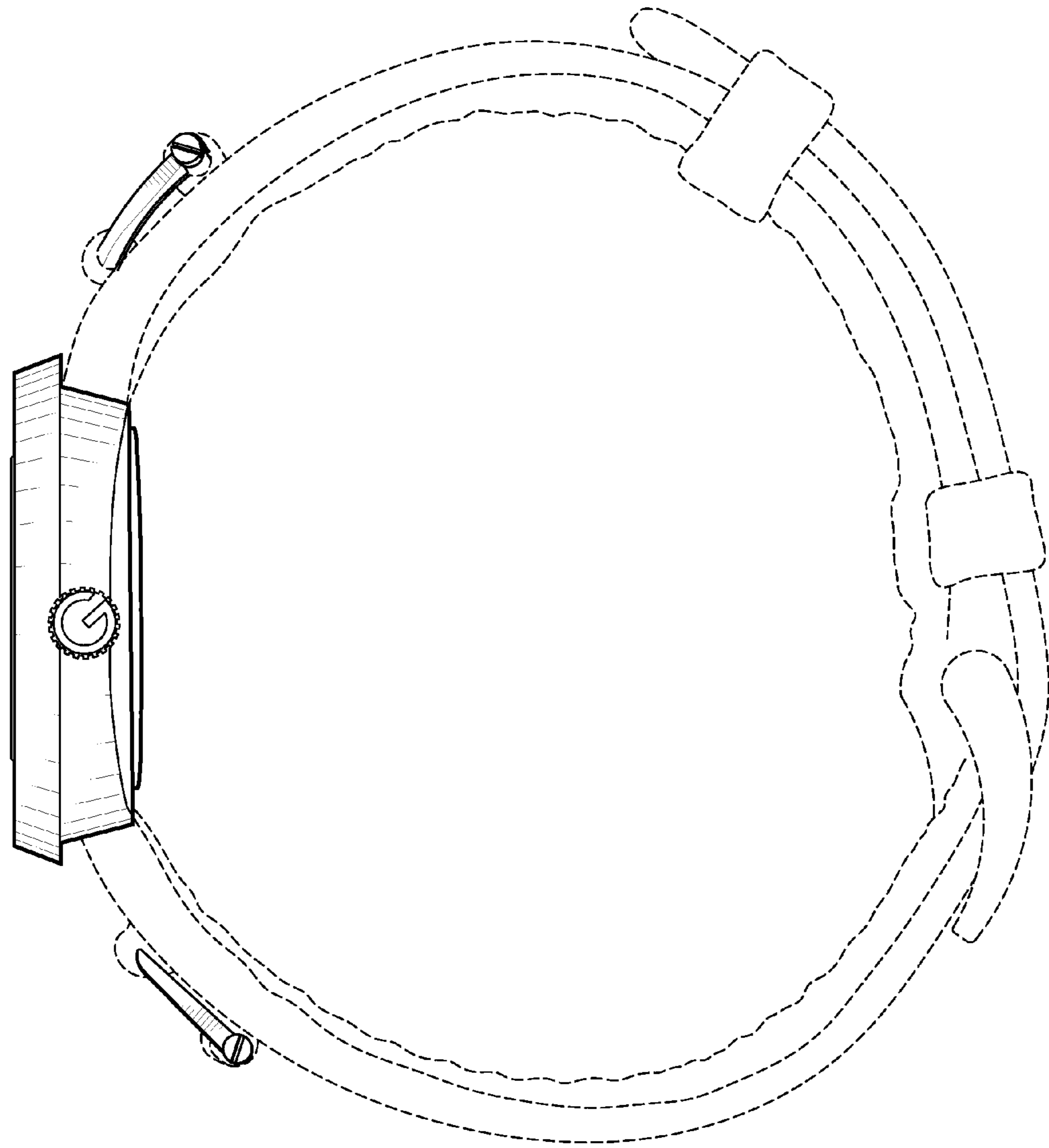


FIG.4

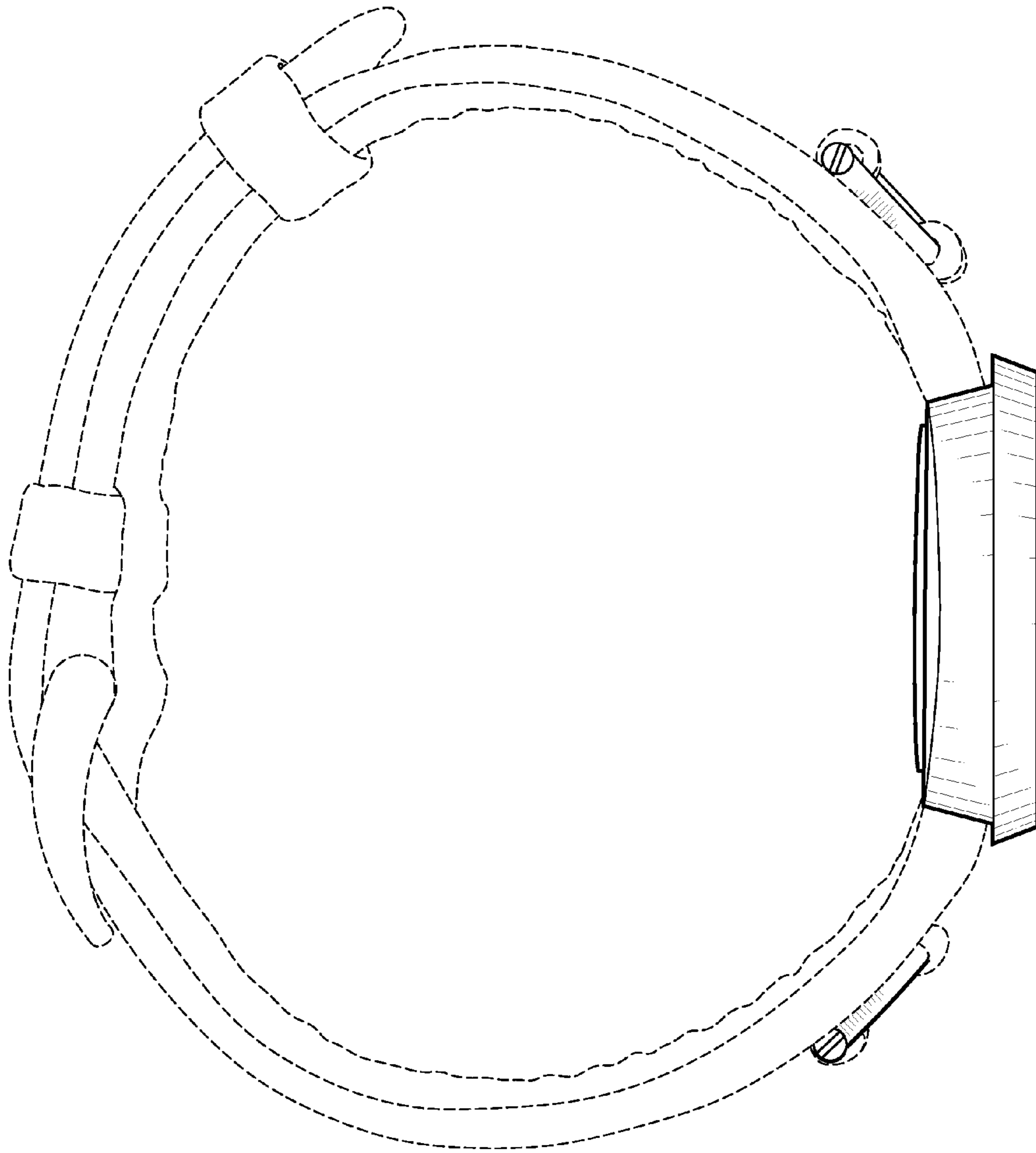


FIG.5

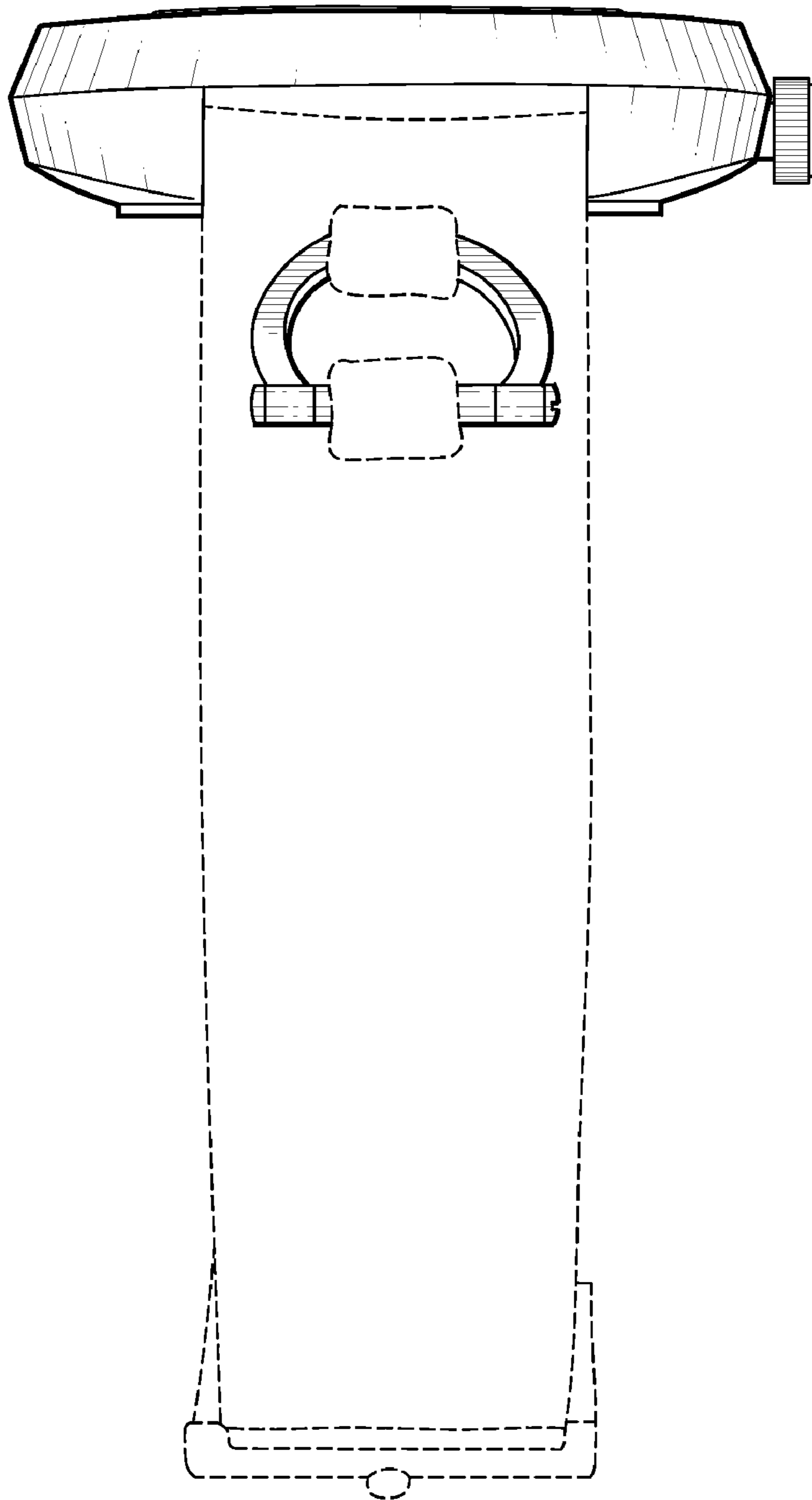


FIG. 6

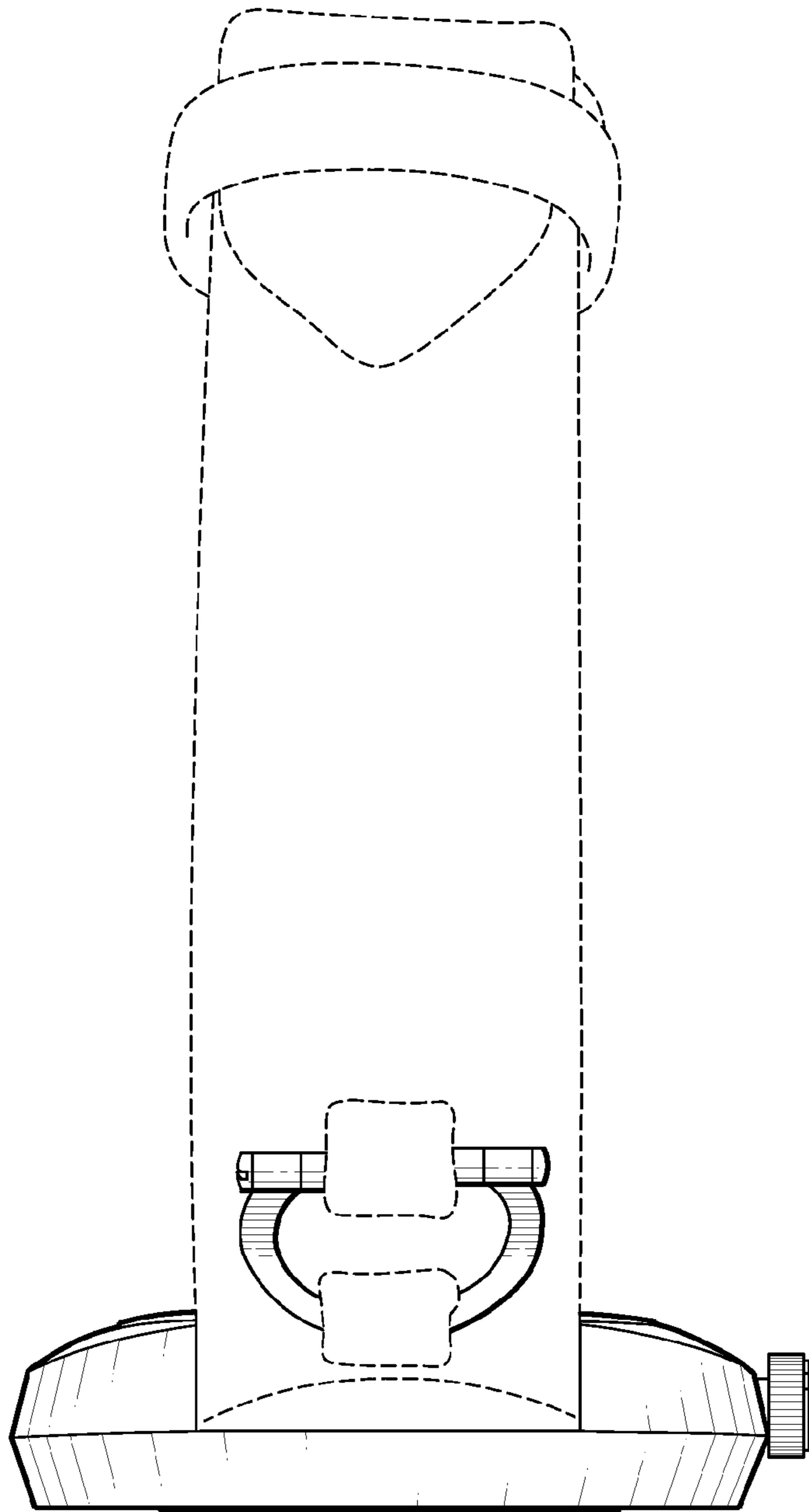


FIG. 7