



US00D629310S

(12) **United States Design Patent**  
**Tran**

(10) **Patent No.:** **US D629,310 S**

(45) **Date of Patent:** **\*\* Dec. 21, 2010**

(54) **MODULAR PULP PACKAGE**

(75) Inventor: **Thang Tran**, Richmond Hill (CA)

(73) Assignee: **Gourmet Settings, Inc.**, Richmond Hill,  
Ontario (CA)

(\*\*) Term: **14 Years**

(21) Appl. No.: **29/346,565**

(22) Filed: **Nov. 2, 2009**

(30) **Foreign Application Priority Data**

Jun. 12, 2009 (CA) ..... 131049

(51) **LOC (9) Cl.** ..... **09-03**

(52) **U.S. Cl.** ..... **D9/737; D9/418**

(58) **Field of Classification Search** ..... D9/418-433,  
D9/737; 206/44 R, 45.31, 45.33, 45.34, 553,  
206/576, 239, 426; 229/162, 100, 11, 16 D  
See application file for complete search history.

(56) **References Cited**

**U.S. PATENT DOCUMENTS**

1,441,437 A	1/1923	Lee	
2,313,376 A	3/1943	Ullman	
3,335,848 A	8/1967	Frankenberg et al.	
D259,847 S *	7/1981	Hamby	D7/641
4,511,040 A *	4/1985	Tolentino	206/553
D310,488 S *	9/1990	Callinan	D9/418

5,060,799 A	10/1991	De Pagter	
D389,737 S *	1/1998	Bader	D9/418
5,816,409 A	10/1998	Baker et al.	
D464,878 S *	10/2002	Thompson	D9/418
D485,174 S *	1/2004	Amar et al.	D9/418

\* cited by examiner

*Primary Examiner*—Stella M Reid

*Assistant Examiner*—Thomas J Johannes

(74) *Attorney, Agent, or Firm*—Patterson & Sheridan, LLP

(57) **CLAIM**

The ornamental design for a modular pulp package, as shown and described.

**DESCRIPTION**

FIG. 1 is a perspective view of a modular pulp package showing my new design;

FIG. 2 is an exploded view thereof;

FIG. 3 is a top view thereof;

FIG. 4 is a first end view thereof;

FIG. 5 is a bottom view thereof;

FIG. 6 is a second end view thereof, the second end being opposite the first end;

FIG. 7 is a first side view thereof; and,

FIG. 8 is a second side view thereof, the second side being opposite the first side.

**1 Claim, 5 Drawing Sheets**

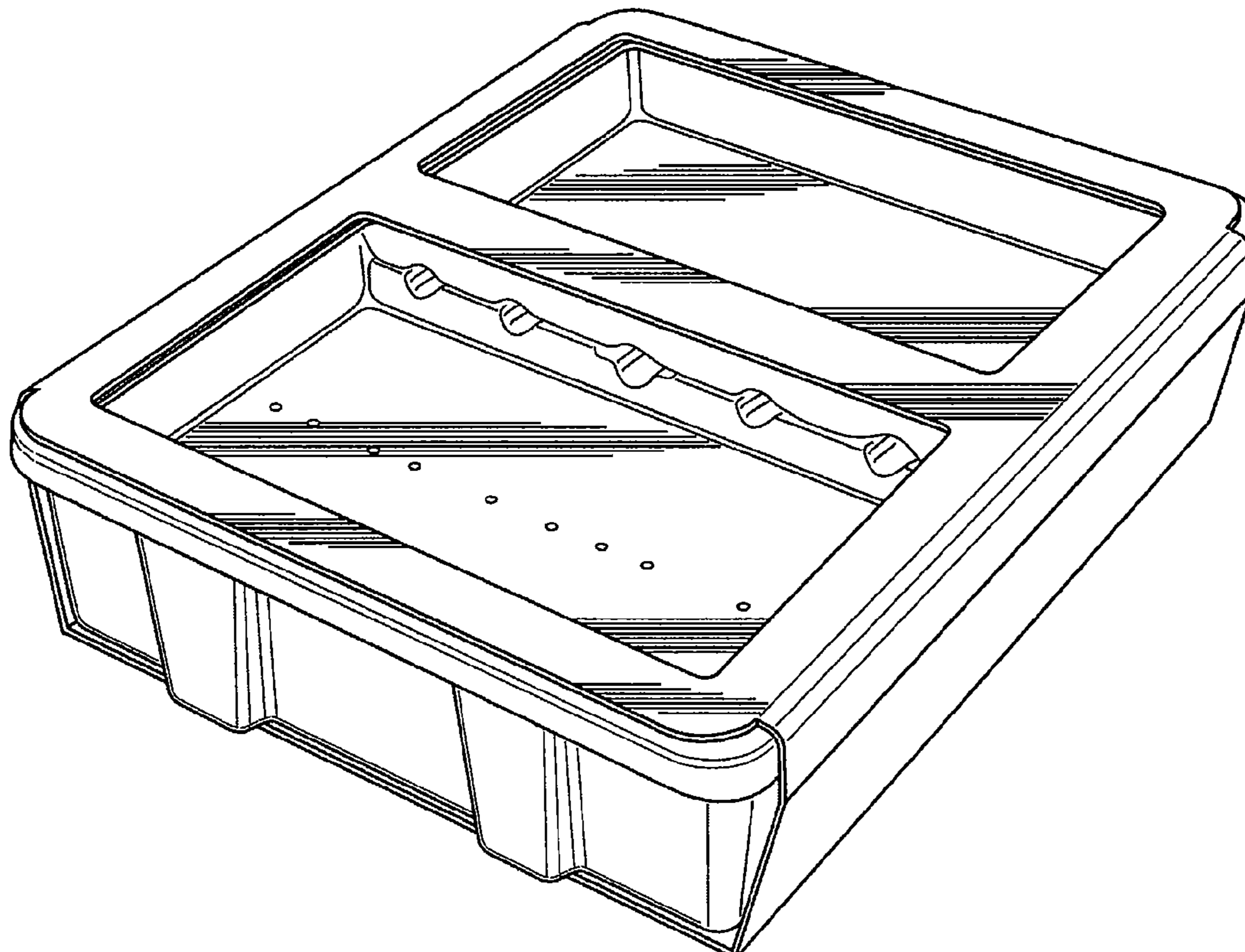


Fig.1

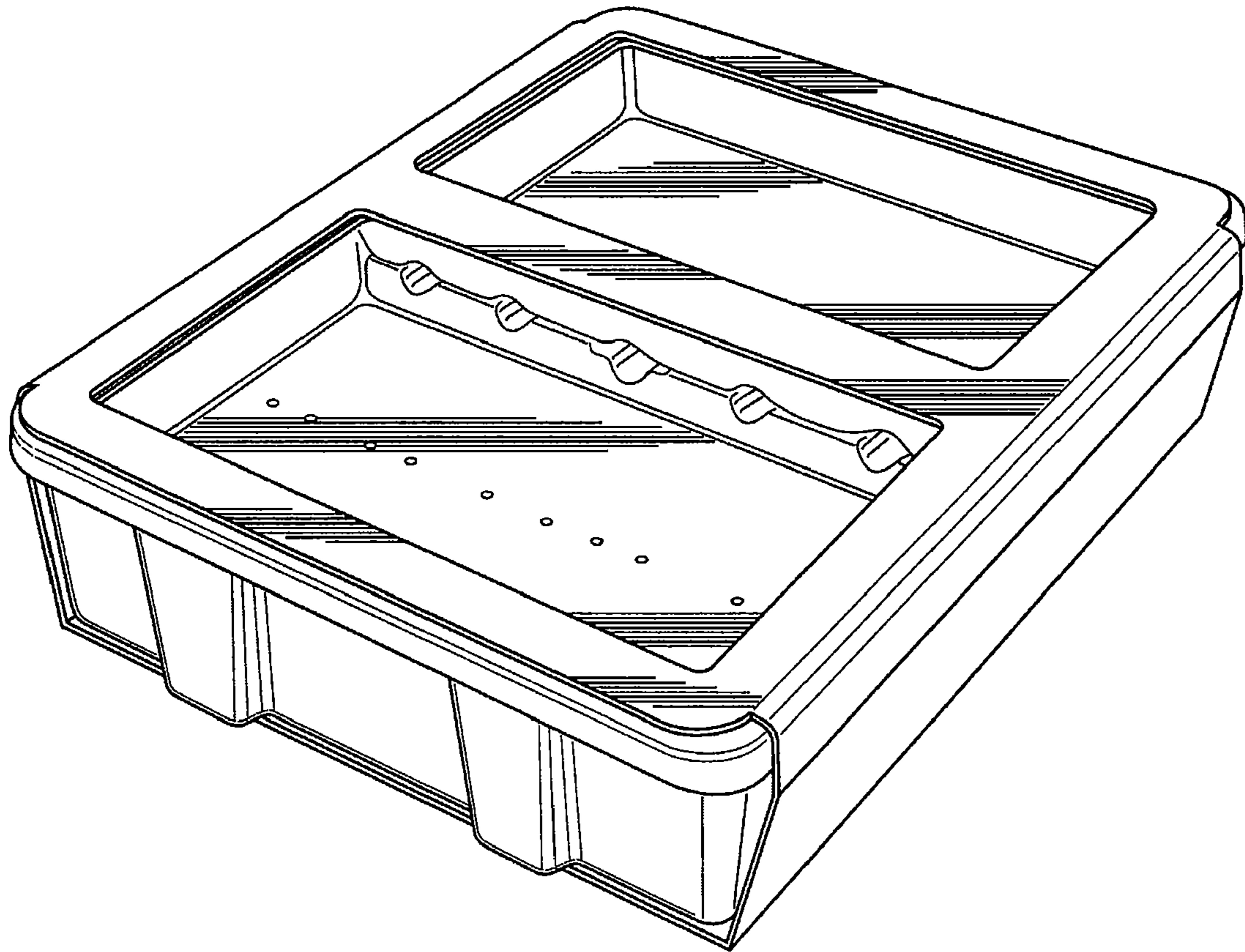


Fig.2

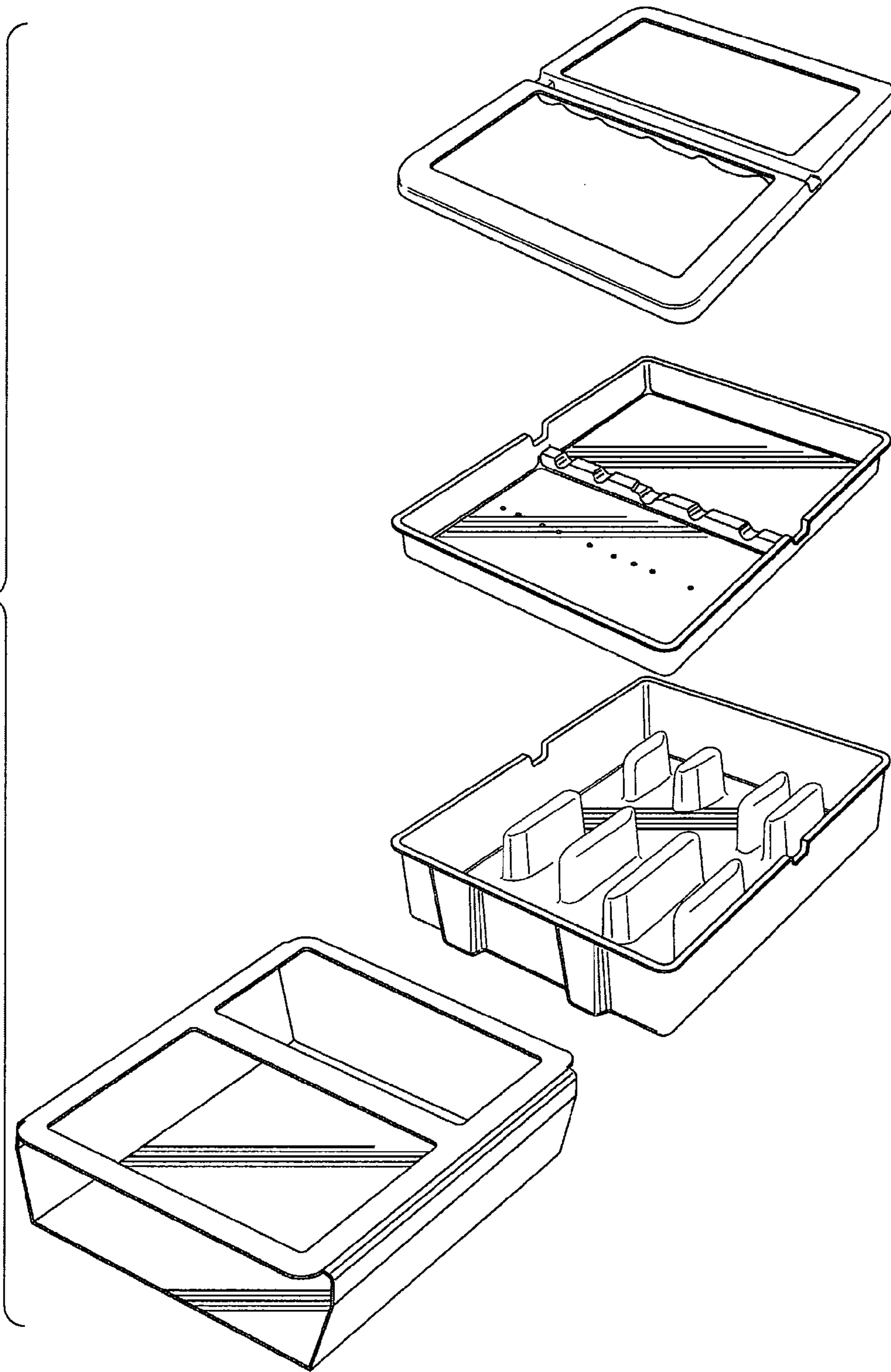


Fig.3

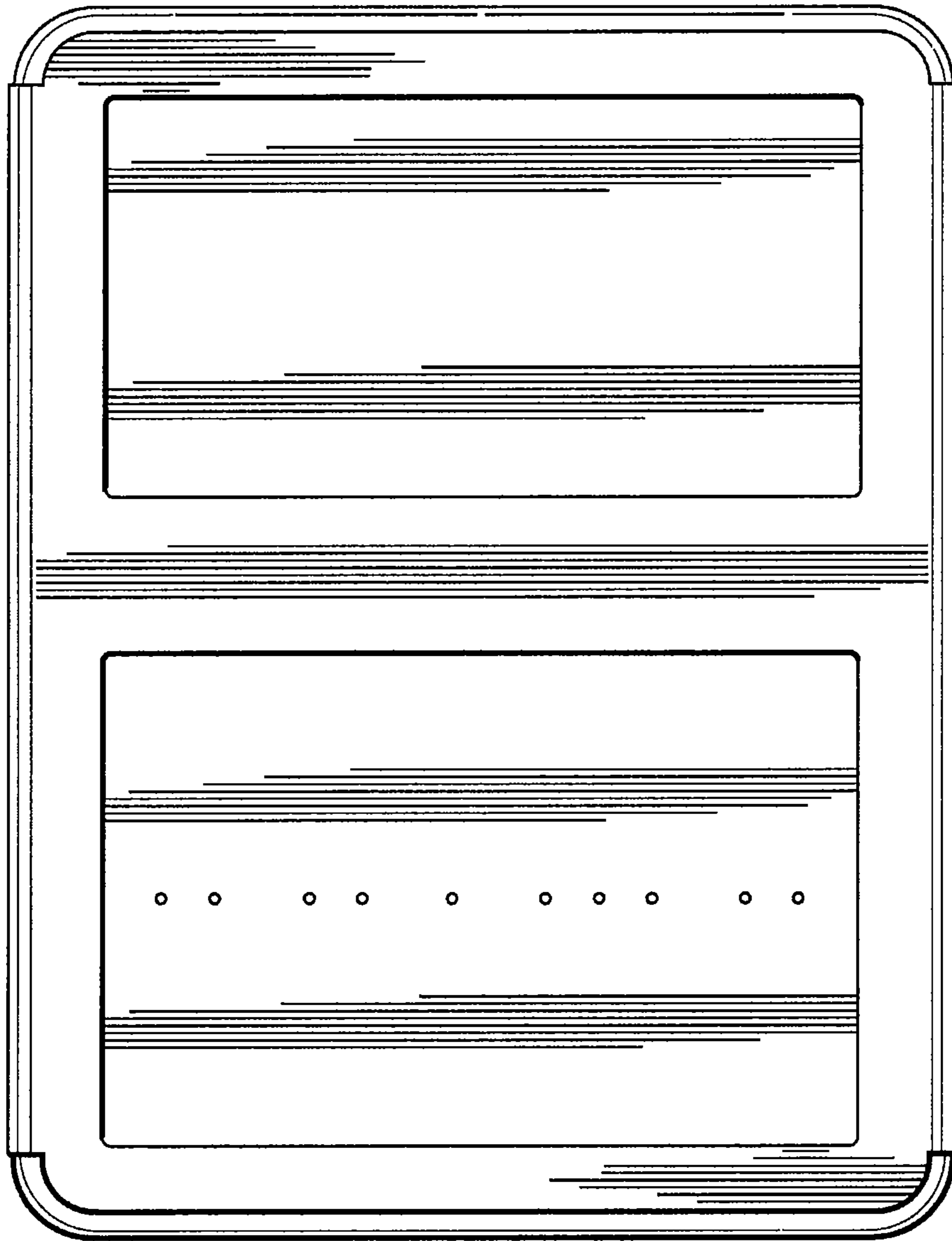


Fig.4

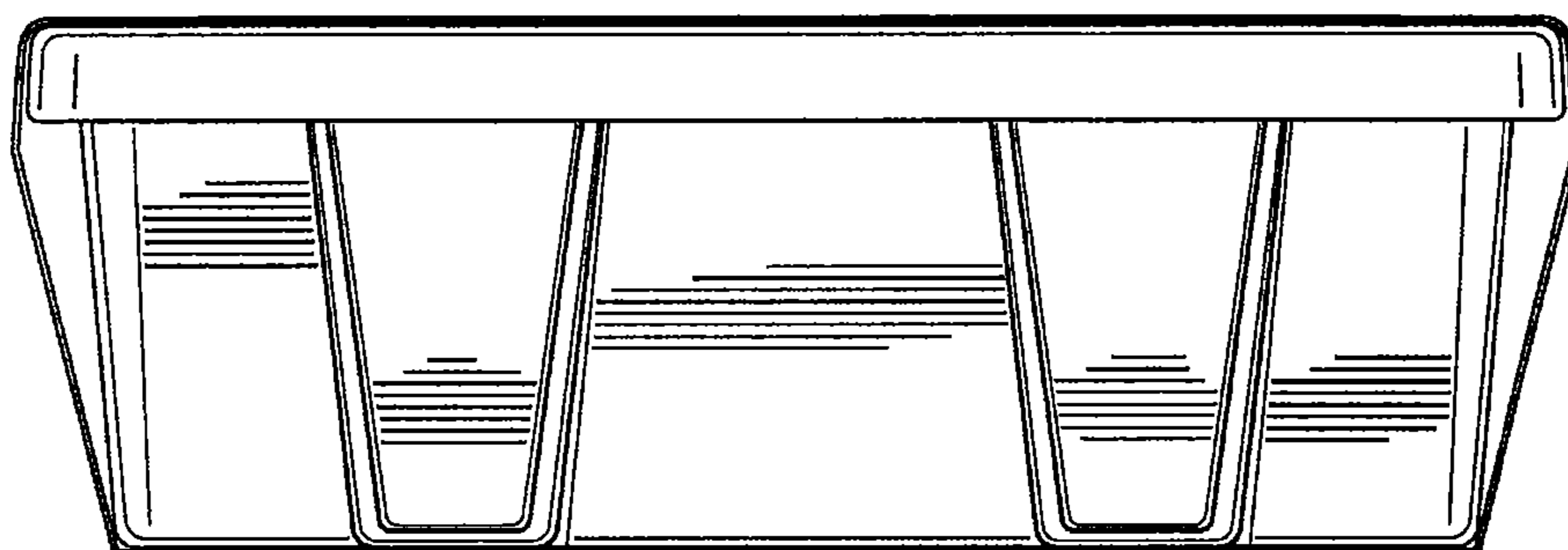


Fig.5

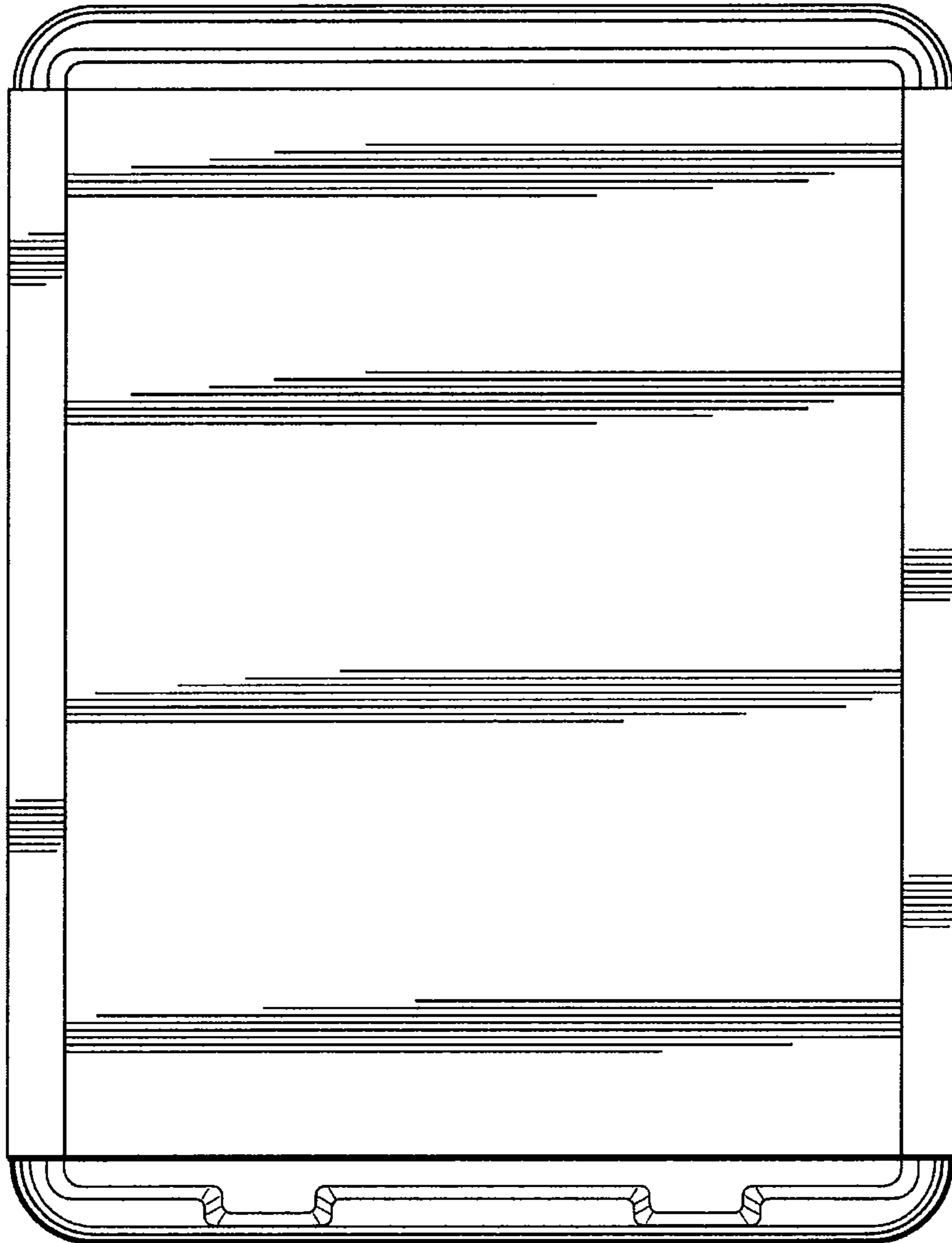
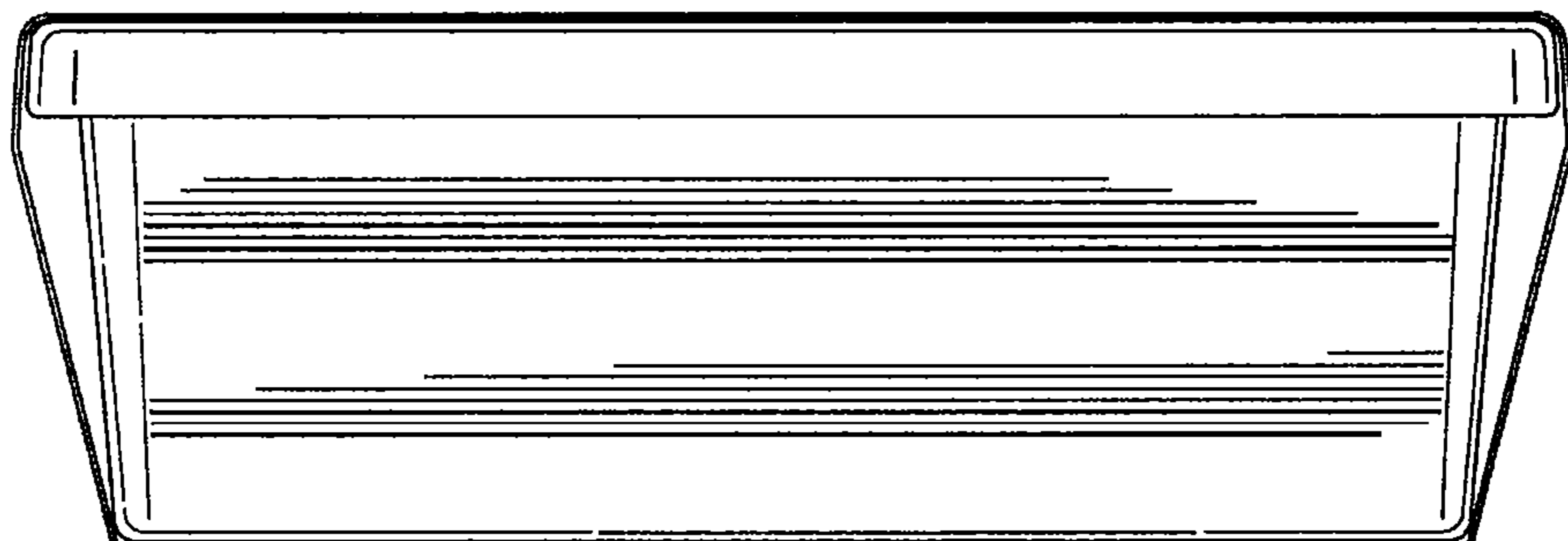


Fig.6



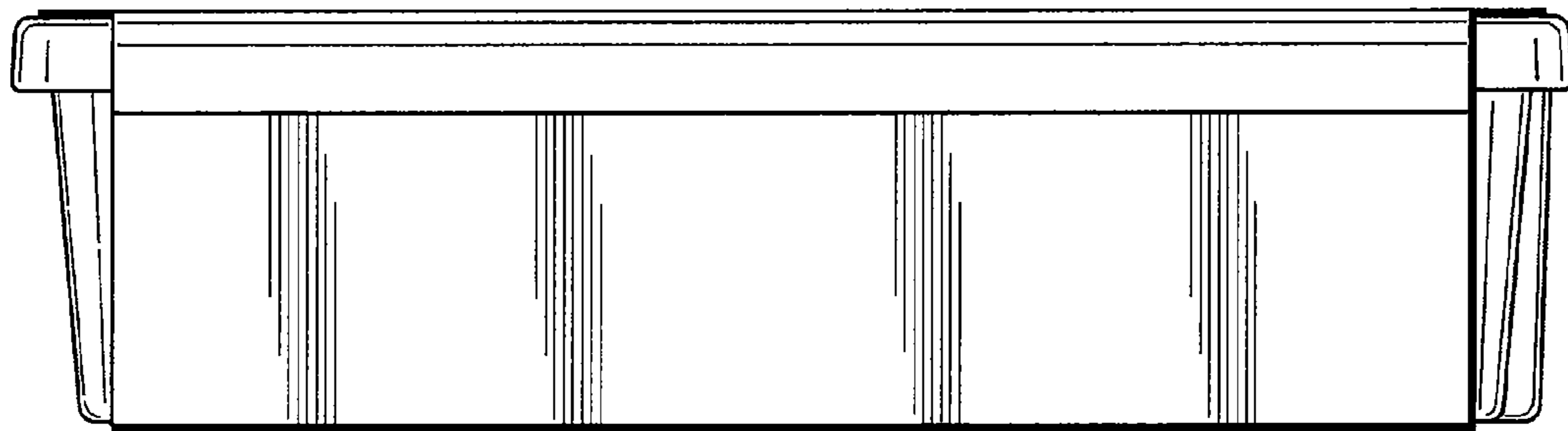


Fig.7

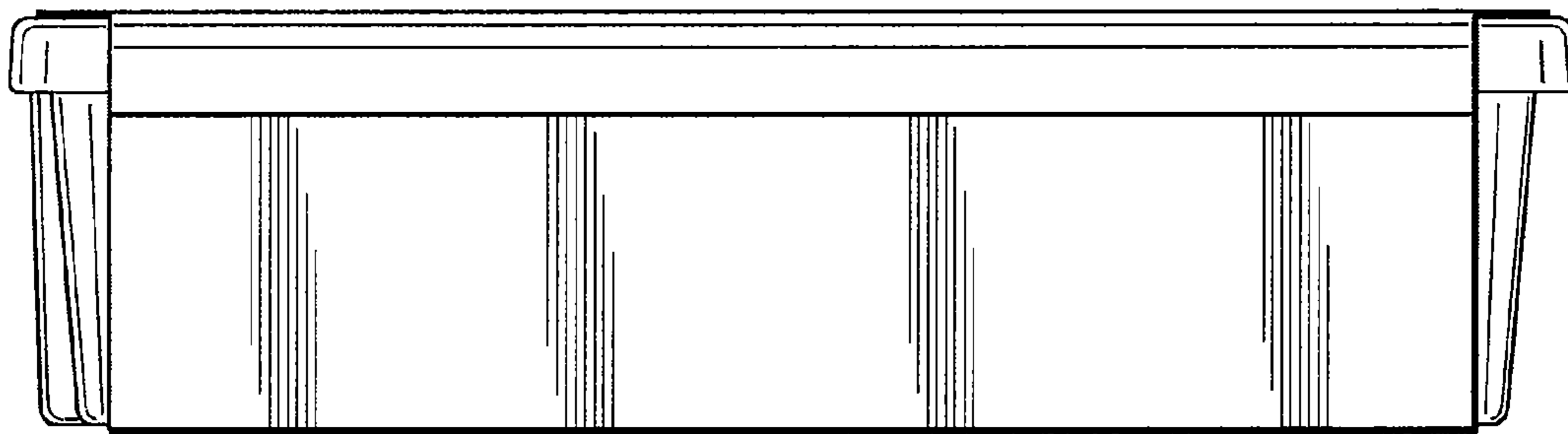


Fig.8