



US00D629301S

(12) **United States Design Patent**
Jarrell et al.

(10) **Patent No.:** **US D629,301 S**
(45) **Date of Patent:** **** Dec. 21, 2010**

(54) **DEVICE FOR CARRYING BAGS**

(76) Inventors: **Gaffney Jarrell**, 114 Hillbrook Dr.,
Spartanburg, SC (US) 29307; **Rhett B.**
Giddings, P.O. Box 1346, Forest City,
NC (US) 28043

(**) Term: **14 Years**

(21) Appl. No.: **29/358,649**

(22) Filed: **Mar. 30, 2010**

Related U.S. Application Data

(63) Continuation of application No. 12/124,429, filed on
May 21, 2008, now abandoned.

(51) **LOC (9) Cl.** **09-07**

(52) **U.S. Cl.** **D9/455; D9/434**

(58) **Field of Classification Search** D9/455,
D9/454, 434; D8/356; D3/328; D12/114;
294/171, 170, 165, 159, 158, 142, 137; 224/103;
211/59.1; 190/39, 18 A
See application file for complete search history.

(56) **References Cited**

U.S. PATENT DOCUMENTS

280,434	A *	7/1883	Zahm	211/59.1
2,592,389	A *	4/1952	Budy	224/103
3,799,416	A *	3/1974	Schmaltz	294/142
4,094,391	A *	6/1978	Ratchford	190/18 A
D295,727	S *	5/1988	Clarke	D9/434
4,772,059	A *	9/1988	Parry et al.	294/170
5,263,755	A *	11/1993	Thompson	294/165
D358,094	S *	5/1995	DeGiacomo, Jr.	D9/434
D359,235	S *	6/1995	Kennedy et al.	D9/434
5,441,323	A *	8/1995	Goddard	294/158
D362,386	S *	9/1995	Blocker	D9/434
D362,621	S *	9/1995	Blocker	D9/434
D369,470	S *	5/1996	Suggs, Sr.	D3/328
D374,622	S *	10/1996	Winborne	D9/434
5,599,052	A *	2/1997	Van Davelaar	294/159

5,645,306	A *	7/1997	Kosteniuk	294/137
D385,788	S *	11/1997	Risser	D9/434
D386,682	S *	11/1997	Richardson et al.	D9/434
5,697,661	A *	12/1997	Robinson et al.	294/142
5,738,401	A *	4/1998	Fan	294/171
D394,351	S *	5/1998	Henderson	D3/328
D422,867	S *	4/2000	Forbes	D8/71
6,347,822	B1 *	2/2002	Miller, Jr.	294/158
6,623,056	B1 *	9/2003	Wickson	294/158
D515,418	S *	2/2006	Sandler	D9/434
D520,362	S *	5/2006	Powell	D9/455
7,097,223	B1 *	8/2006	Bradford	294/137
D553,480	S *	10/2007	Kelleghan	D8/356
D559,679	S *	1/2008	Findon	D9/434
7,322,624	B2 *	1/2008	Murphy	294/137
D572,573	S *	7/2008	Abels	D8/356

* cited by examiner

Primary Examiner—Susan Bennett Hattman

(74) *Attorney, Agent, or Firm*—Dority & Manning, P.A.

(57) **CLAIM**

The ornamental design for a device for carrying bags, as shown and described.

DESCRIPTION

FIG. 1 is a front plan view of a device for carrying bags, showing my new design;

FIG. 2 is a front plan view thereof;

FIG. 3 is a front perspective view thereof;

FIG. 4 is a front perspective view thereof;

FIG. 5 is a side perspective view thereof;

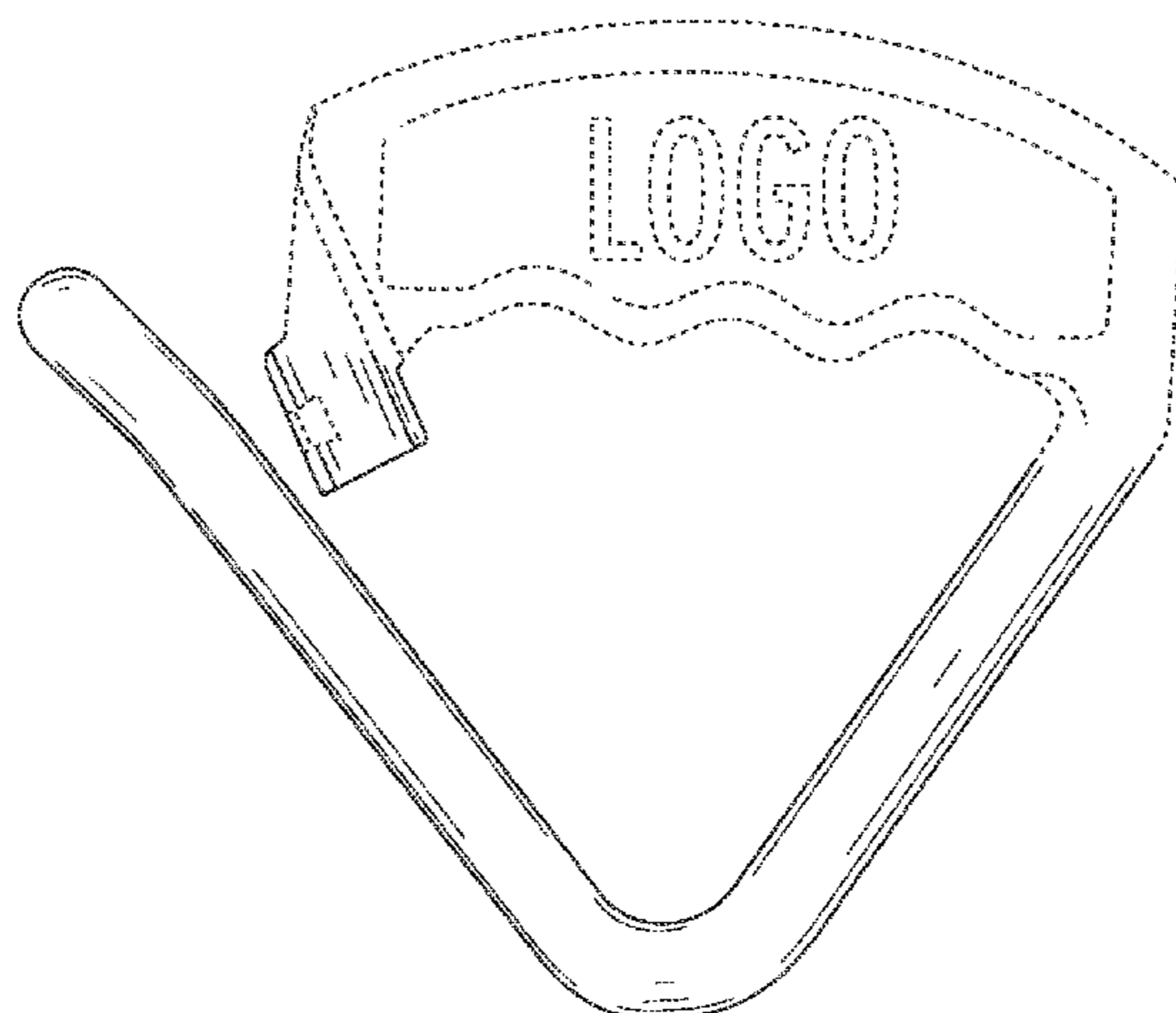
FIG. 6 is a rear plan view thereof;

FIGS. 7 and 8 are side plan views thereof; and,

FIG. 9 is a bottom plan view thereof.

The claimed design comprises the elements shown in solid lines, the elements shown in dotted lines forming no part of the claimed design.

1 Claim, 8 Drawing Sheets



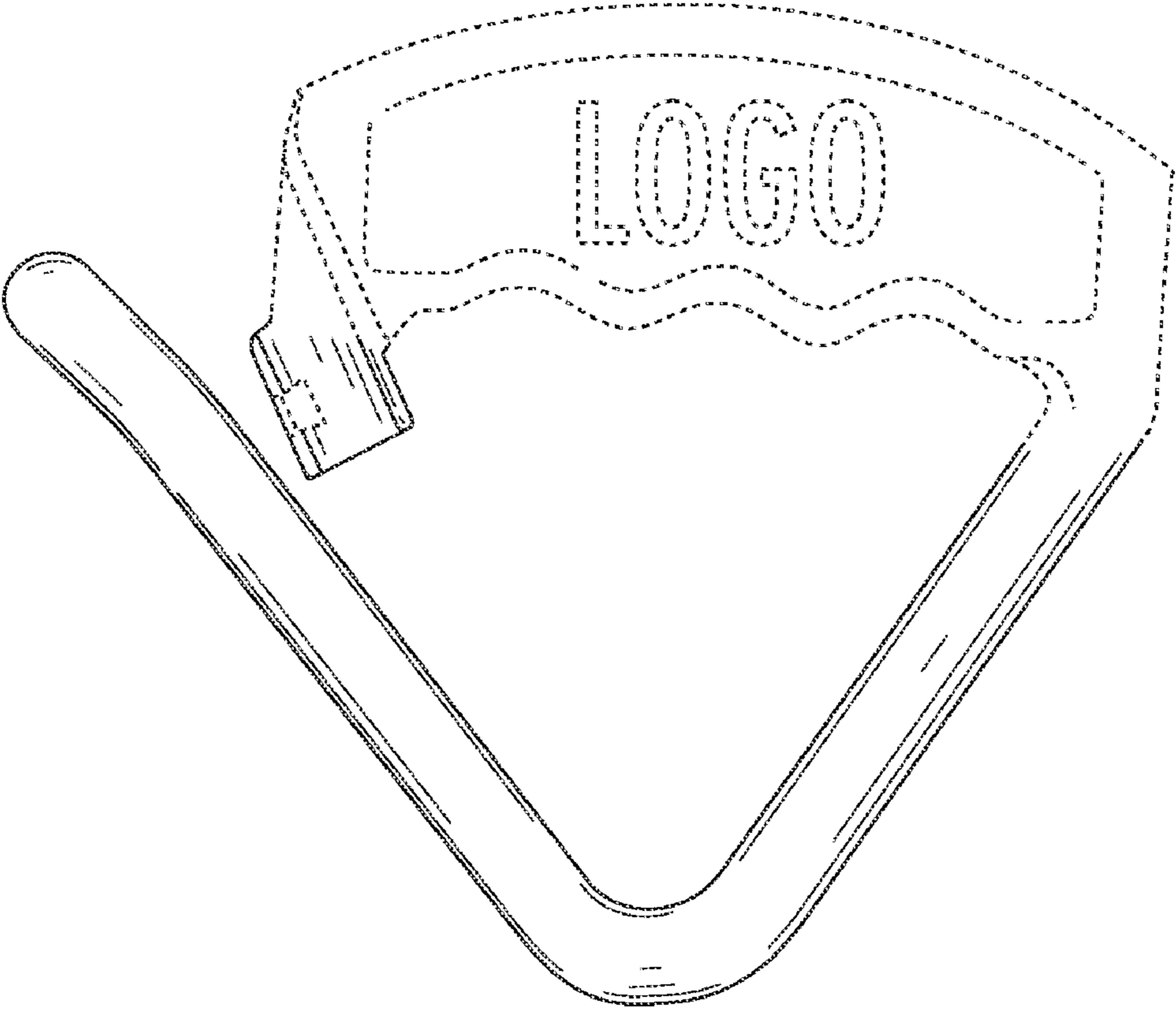


FIG. 1

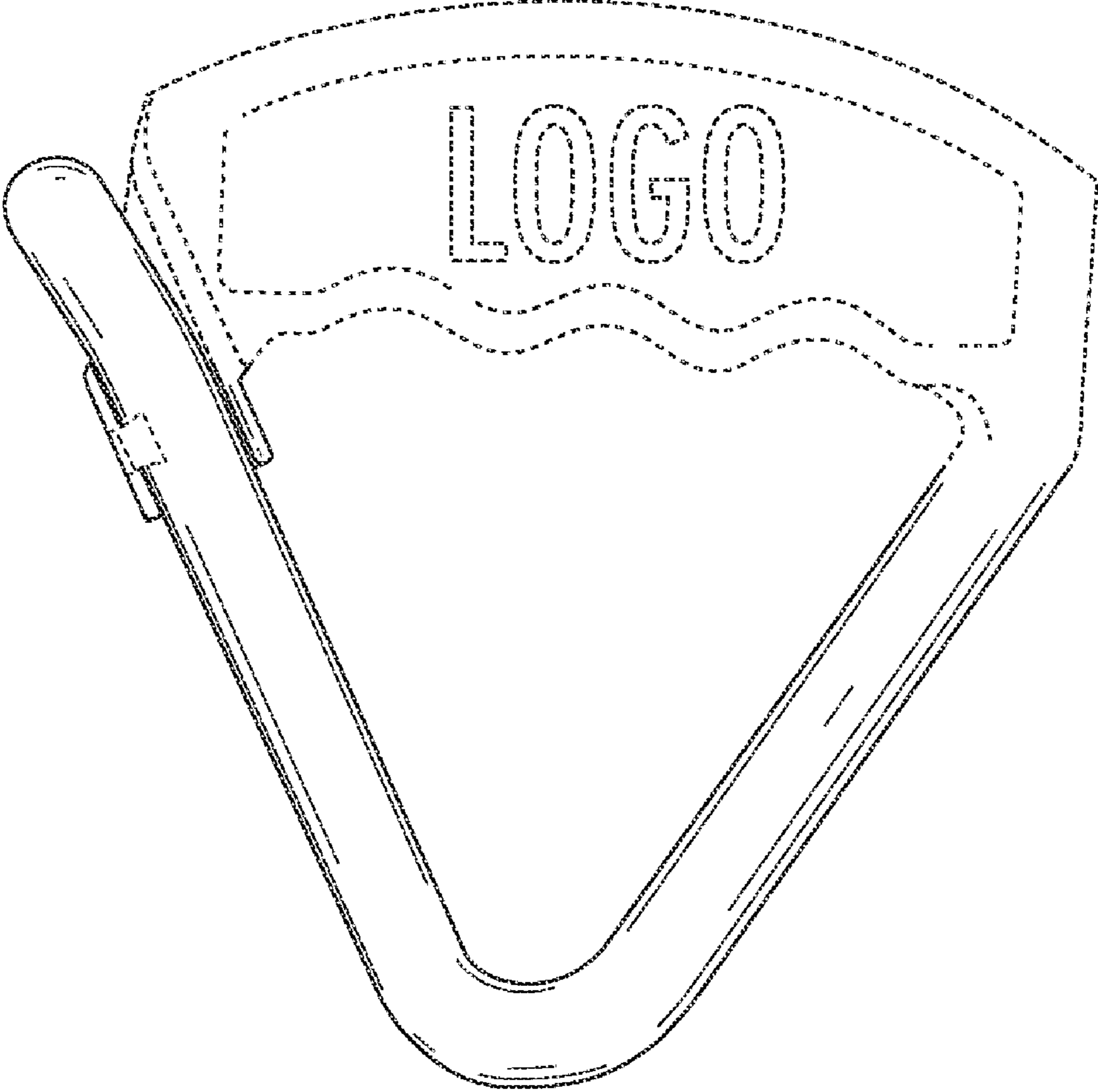


FIG. 2

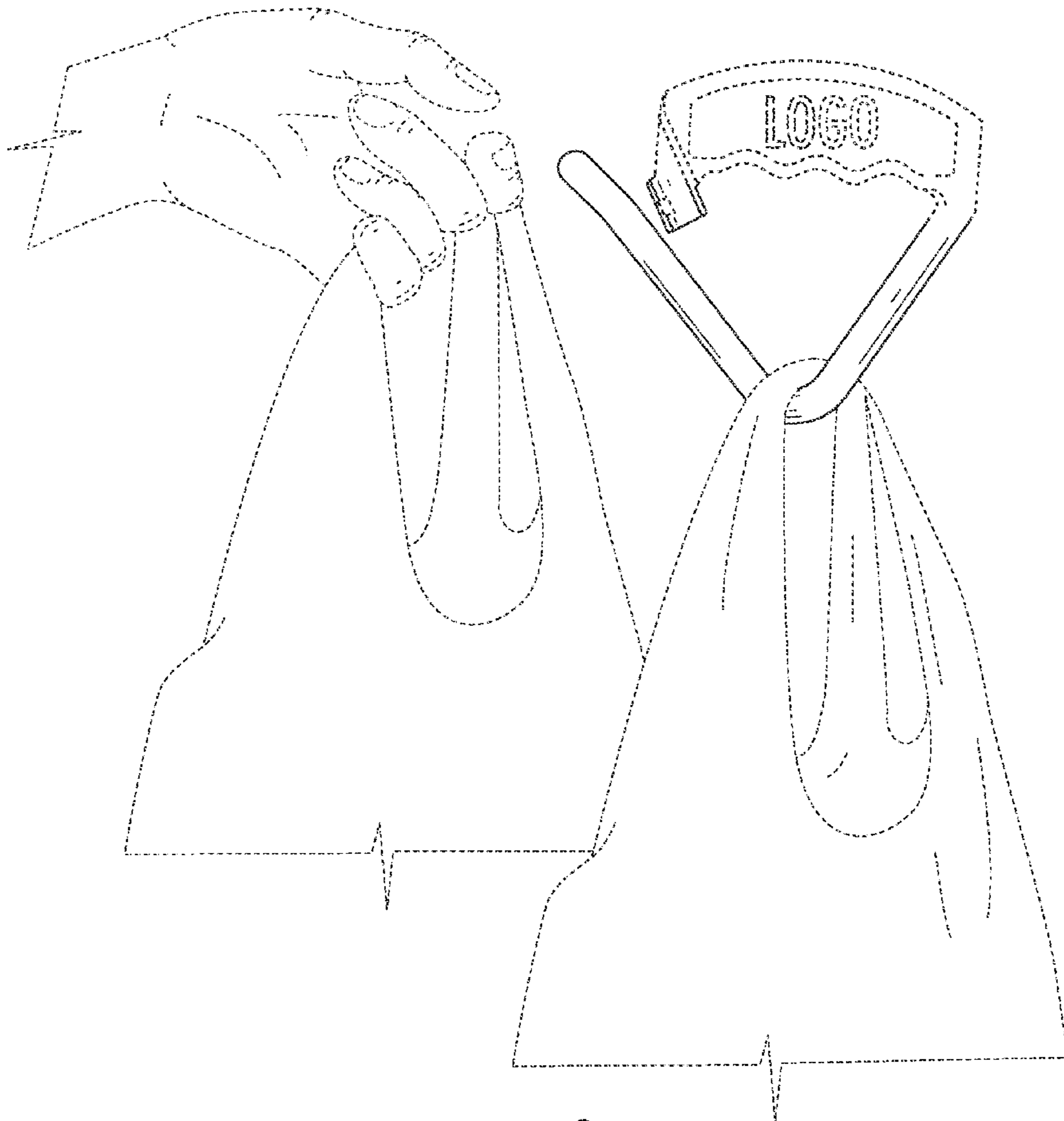


FIG. 3

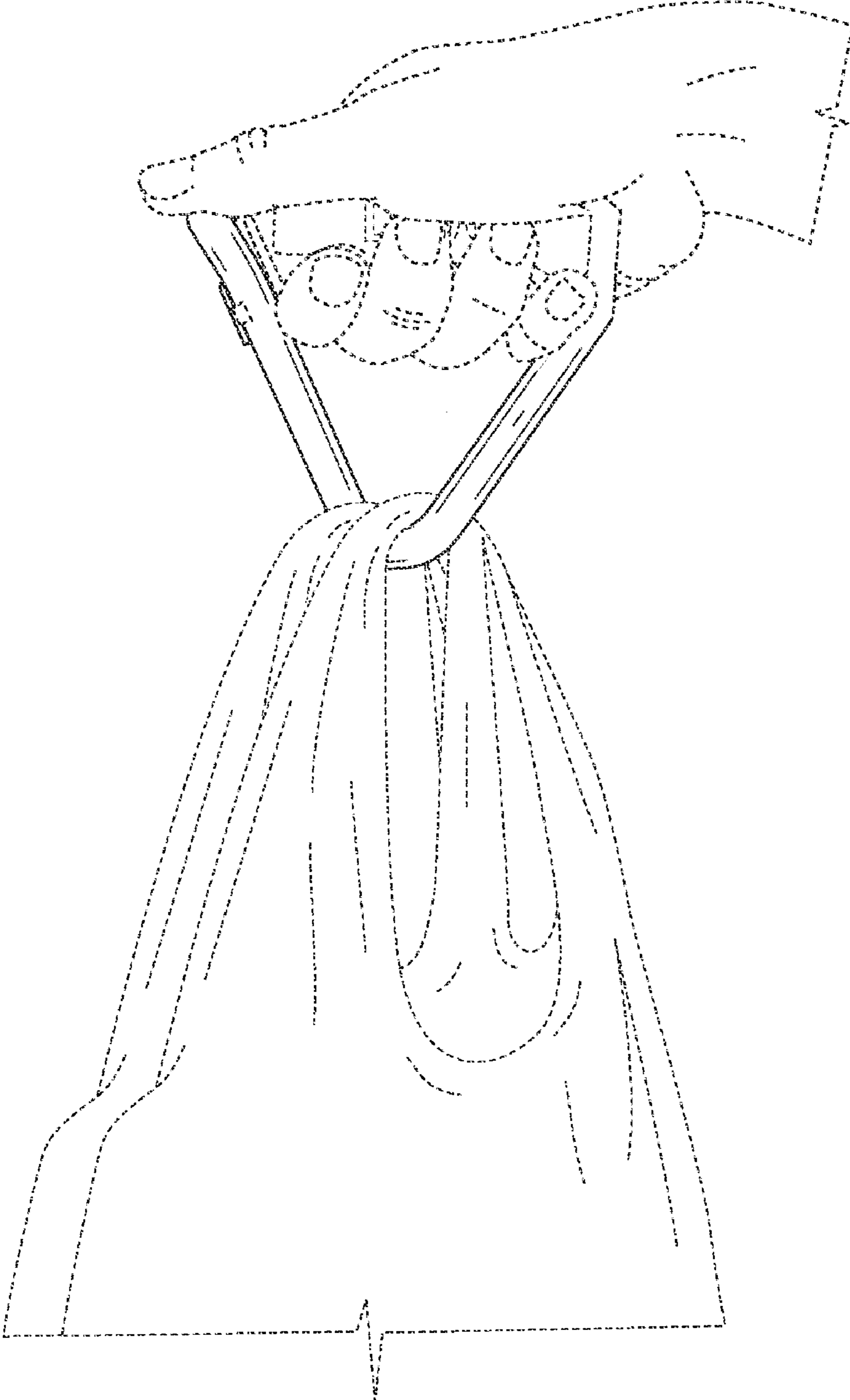


FIG. 4

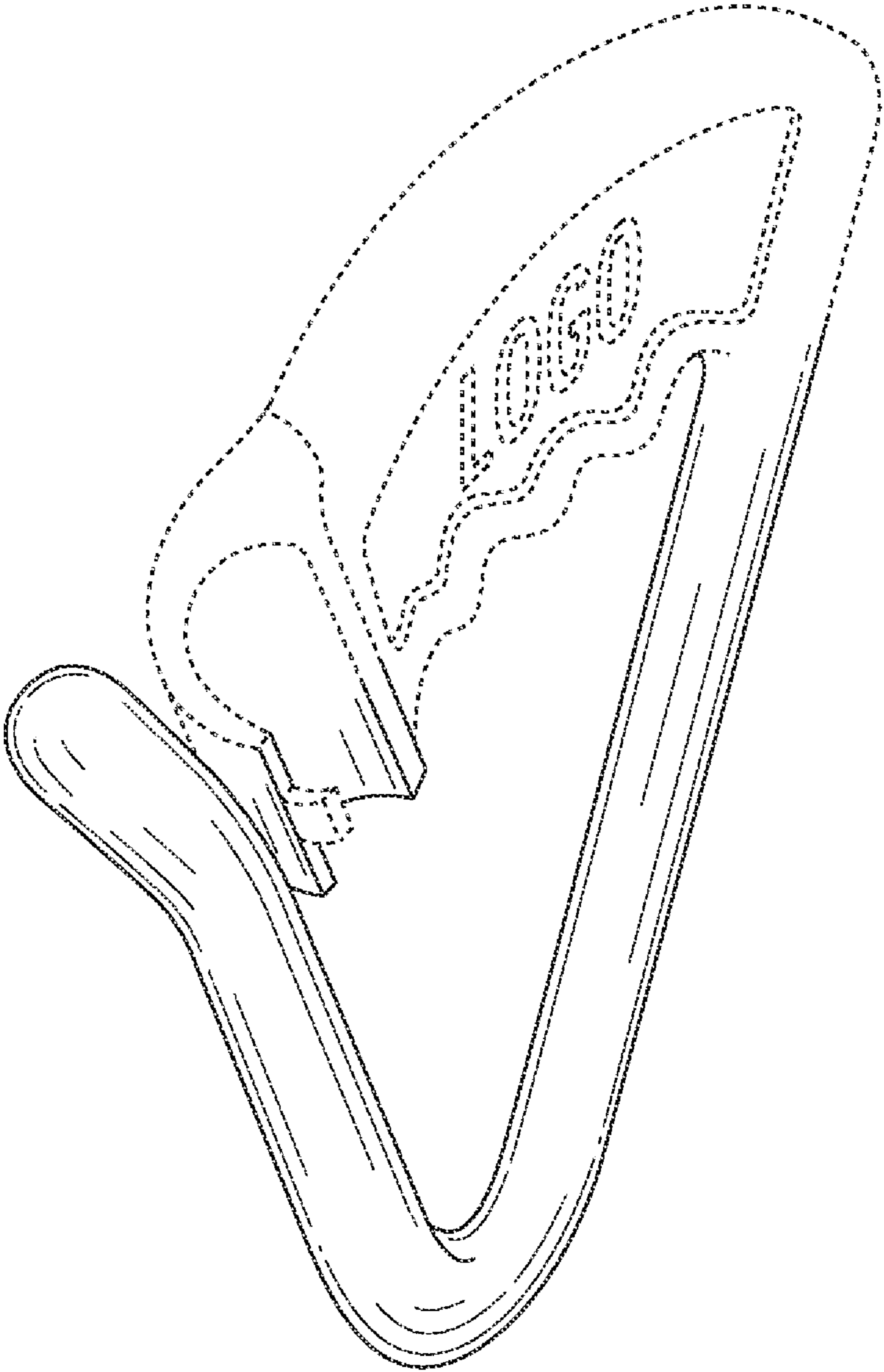


FIG. 5

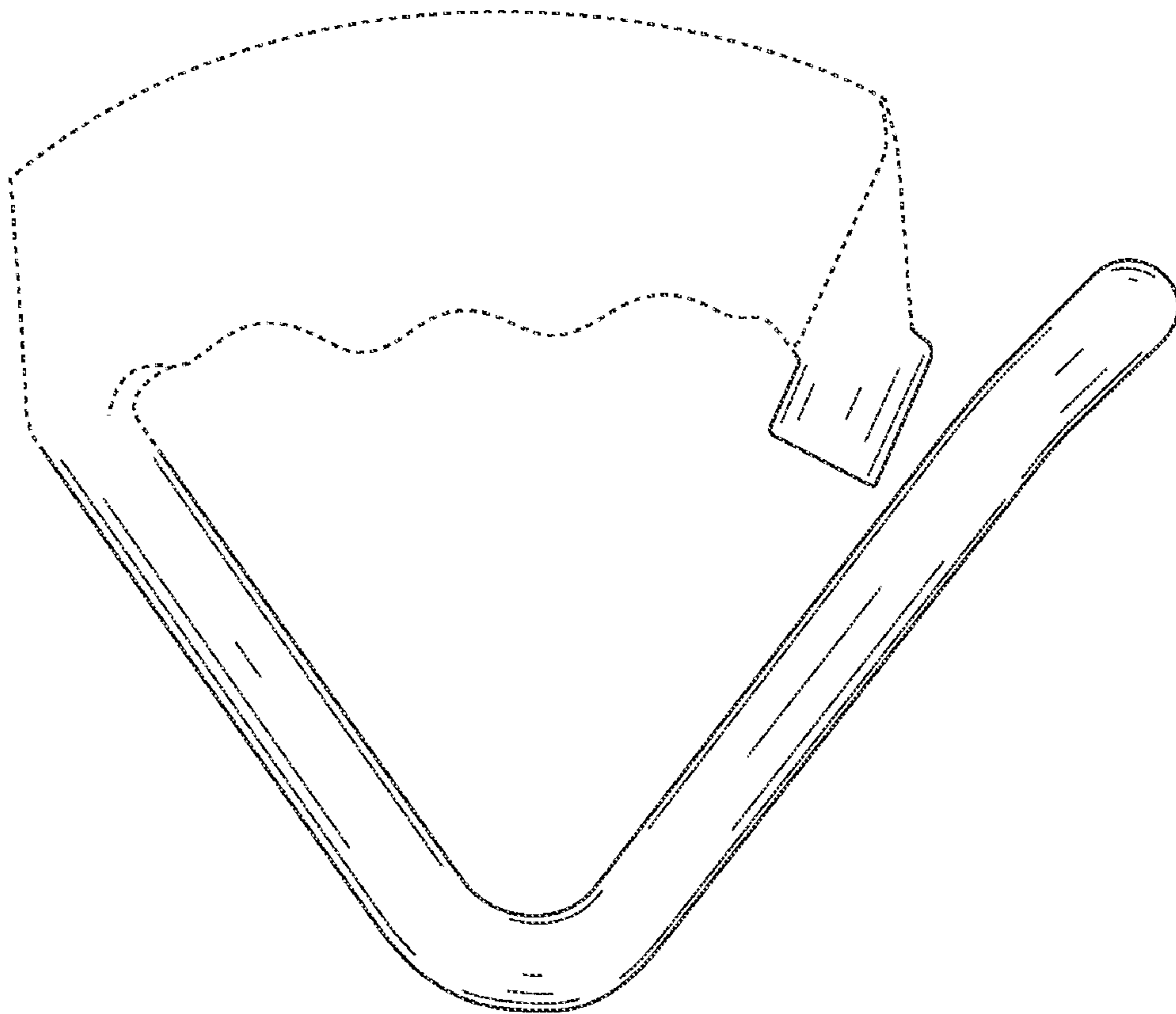


FIG. 6

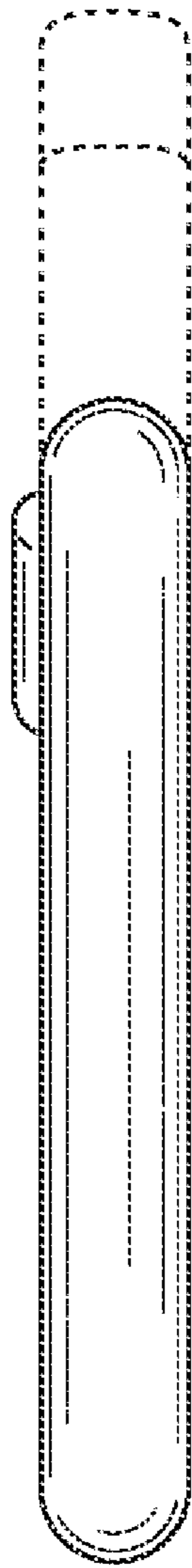


FIG. 7

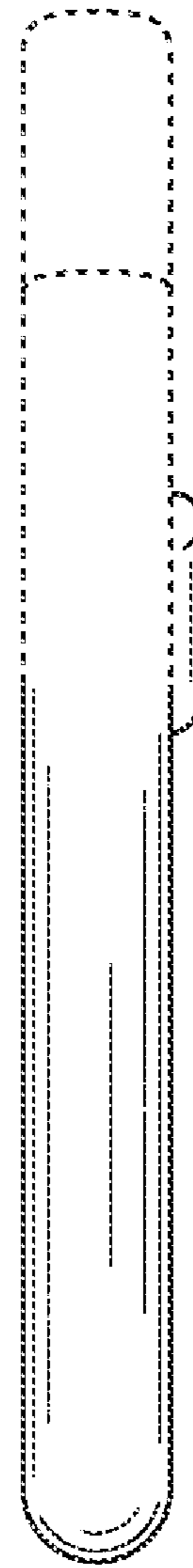


FIG. 8

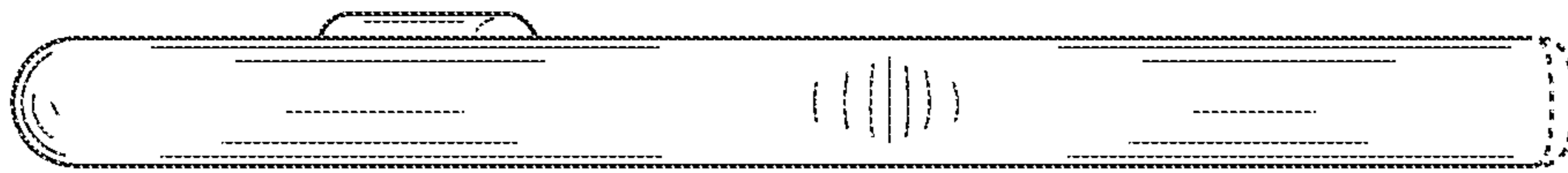


FIG. 9