



US00D629300S

(12) **United States Design Patent**
Arnell et al.

(10) **Patent No.:** **US D629,300 S**
(45) **Date of Patent:** **** Dec. 21, 2010**

(54) **CAP**

(75) Inventors: **Peter E. Arnell**, New York, NY (US);
Marc T. Wiescinski, Chicago, IL (US);
Nicole Green, Barrington, IL (US);
Brent S. Nelson, Village of Lakewood,
IL (US); **Paul Gahlman**, Muskego, WI
(US); **Tim Mazurkiewicz**, Milwaukee,
WI (US); **Matt Meisner**, Crystal Lake,
IL (US); **Michael Cannamela**, New
York, NY (US); **Jonathan Kim**,
Brooklyn, NY (US); **Jung-ah Suh**, New
York, NY (US)

(73) Assignee: **Tropicana Products, Inc.**, Bradenton,
FL (US)

(**) Term: **14 Years**

(21) Appl. No.: **29/350,224**

(22) Filed: **Nov. 12, 2009**

(51) **LOC (9) Cl.** **09-07**

(52) **U.S. Cl.** **D9/449; D9/453**

(58) **Field of Classification Search** D9/529,
D9/504, 503, 454, 453, 452, 450, 449, 447,
D9/446, 443, 435; D7/900, 396.2, 392.1;
222/556, 544, 494, 480, 472, 321.9, 212,
222/185.1; 220/837, 835, 813, 810, 375,
220/254.5; 215/305, 228, 226, 200

See application file for complete search history.

(56) **References Cited**

U.S. PATENT DOCUMENTS

D184,567 S 3/1959 Keck

(Continued)

Primary Examiner—Susan Bennett Hattan

(74) *Attorney, Agent, or Firm*—Banner & Witcoff, Ltd.

(57) **CLAIM**

The ornamental design for a cap, as shown and described.

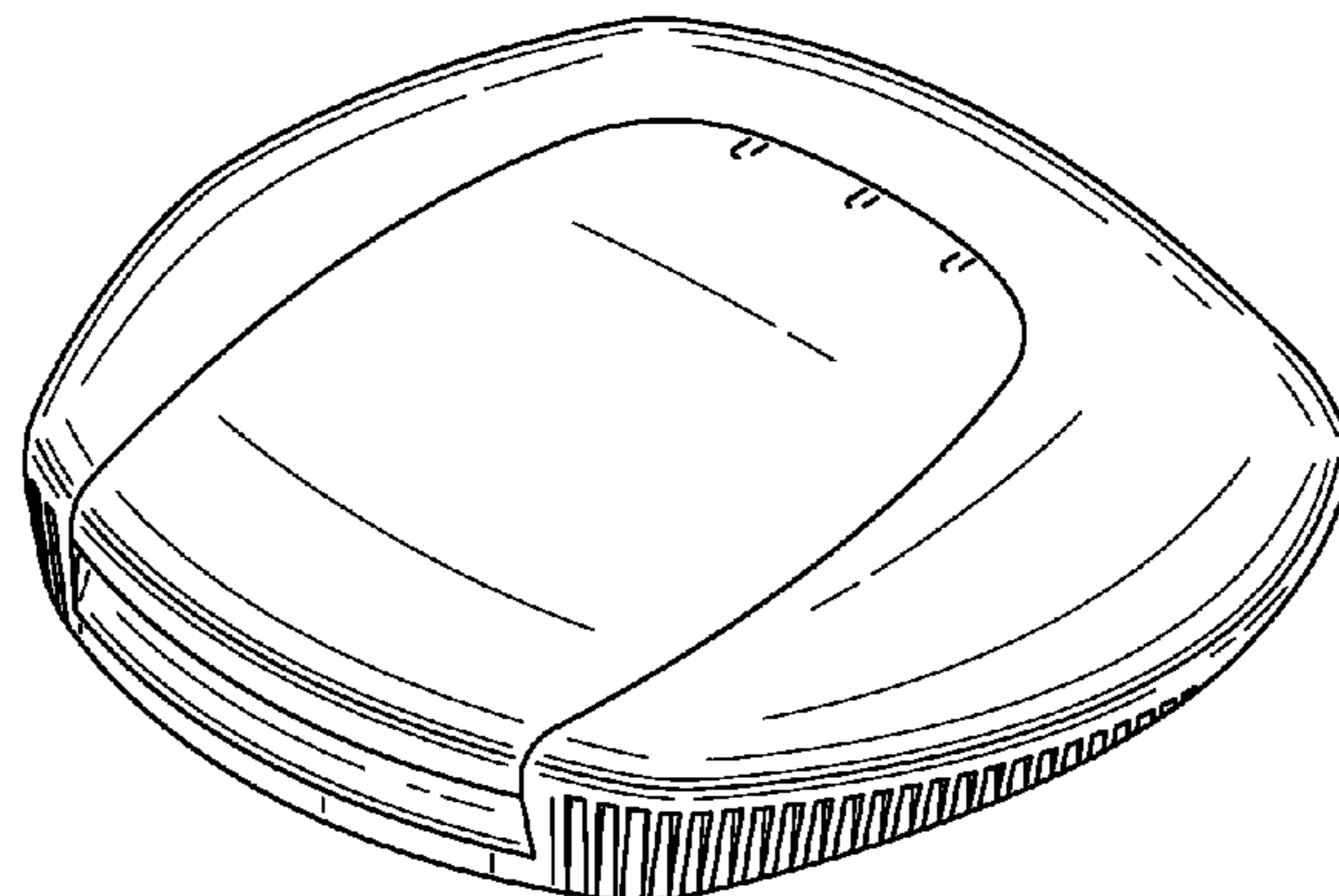
DESCRIPTION

FIG. 1 is a top front right perspective view of a cap showing
our new design;

FIG. 2 is a top view thereof;
FIG. 3 is a right side view thereof;
FIG. 4 is a left side view thereof;
FIG. 5 is a front view thereof;
FIG. 6 is a back view thereof;
FIG. 7 is a top front right perspective view of a cap of FIGS.
1-6 in an in-use, open position;
FIG. 8 is a top view thereof;
FIG. 9 is a right side view thereof;
FIG. 10 is a left side view thereof;
FIG. 11 is a front view thereof;
FIG. 12 is a back view thereof;
FIG. 13 is a top right perspective view of a cap showing a
second embodiment of our new design;
FIG. 14 is a top view thereof;
FIG. 15 is a right side view thereof;
FIG. 16 is a left side view thereof;
FIG. 17 is a front view thereof;
FIG. 18 is a back view thereof;
FIG. 19 is a top right perspective view of a cap of FIGS. 13-18
in an in-use, open position;
FIG. 20 is a top view thereof;
FIG. 21 is a top right perspective view of a cap showing a third
embodiment of our new design;
FIG. 22 is a top view thereof;
FIG. 23 is a right side view thereof;
FIG. 24 is a left side view thereof;
FIG. 25 is a front view thereof;
FIG. 26 is a back view thereof;
FIG. 27 is a top right perspective view of a cap of FIGS. 21-26
in an in-use, open position; and,
FIG. 28 is a top view thereof.

The uneven-length broken lines in the figures represent
unclaimed boundaries of the claimed design. The remaining
even-length broken lines depict environment only and form
no part of the claimed design.

1 Claim, 11 Drawing Sheets



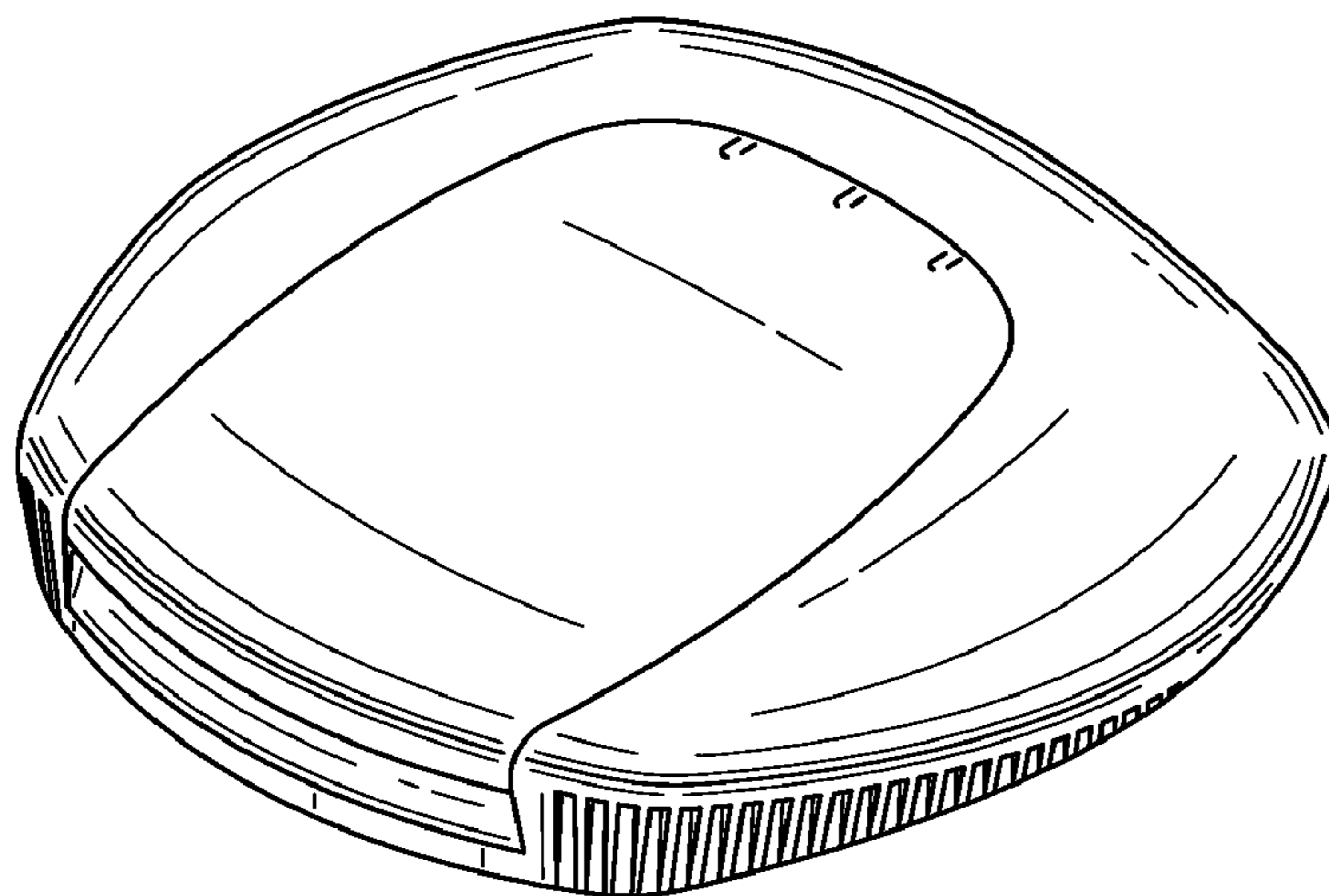


FIG. 1

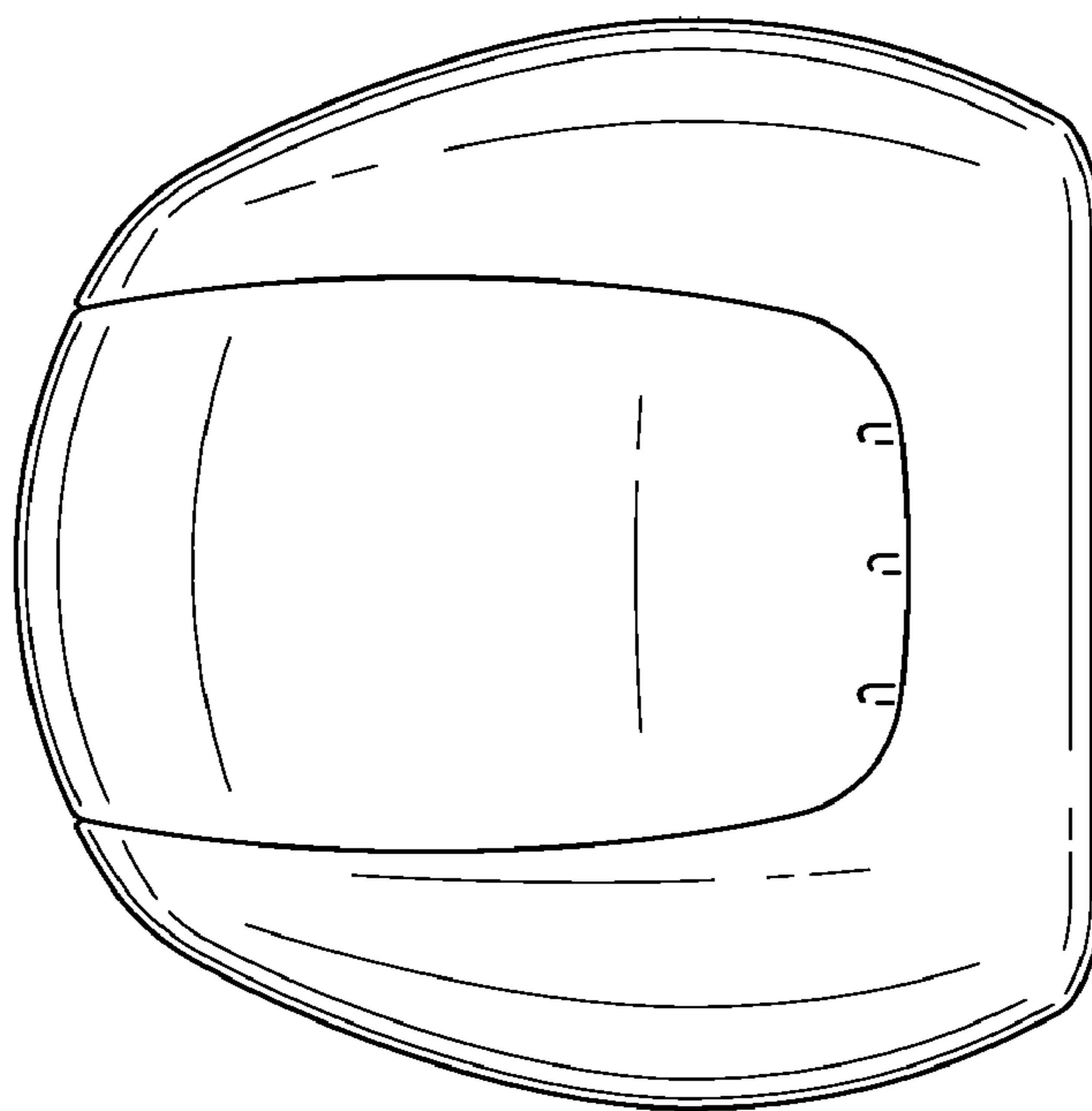


FIG. 2

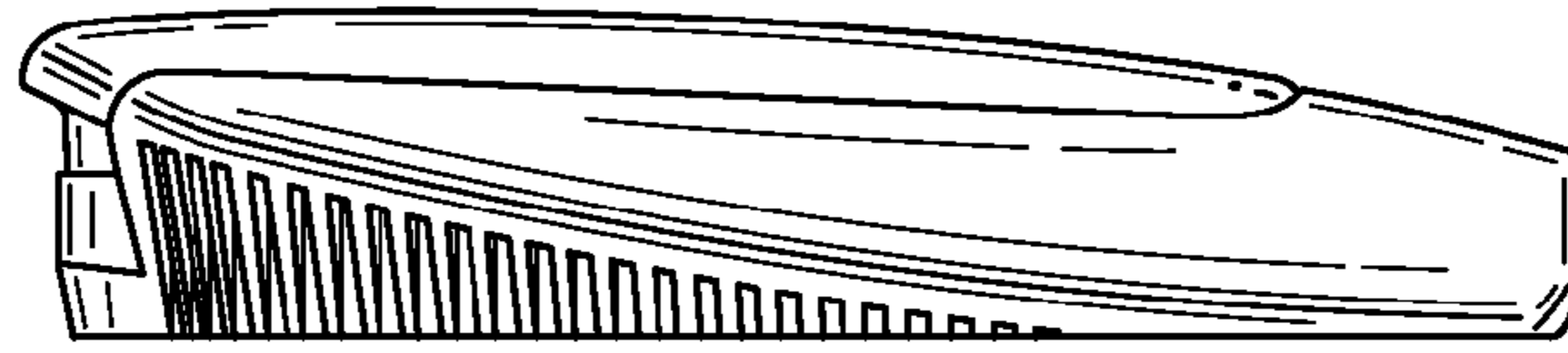


FIG. 3

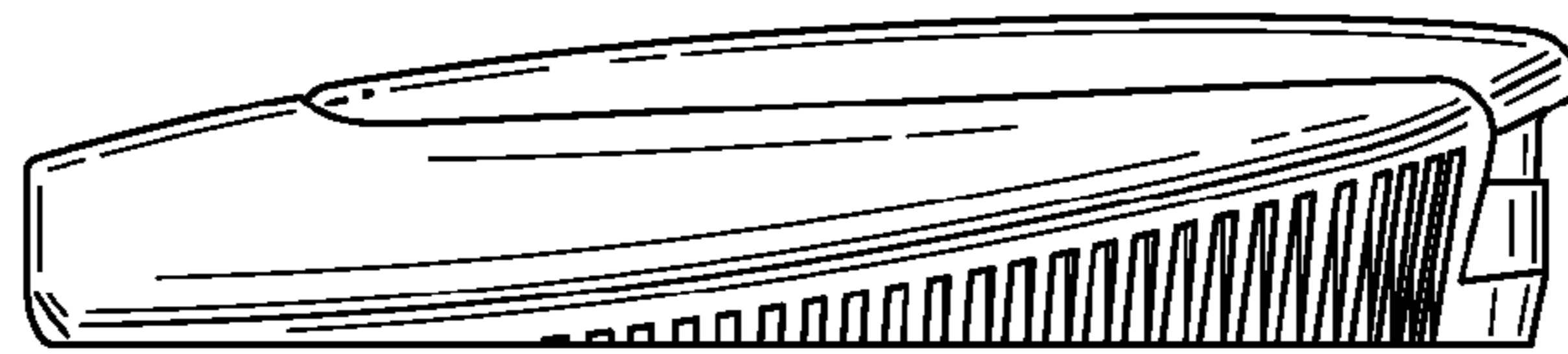


FIG. 4

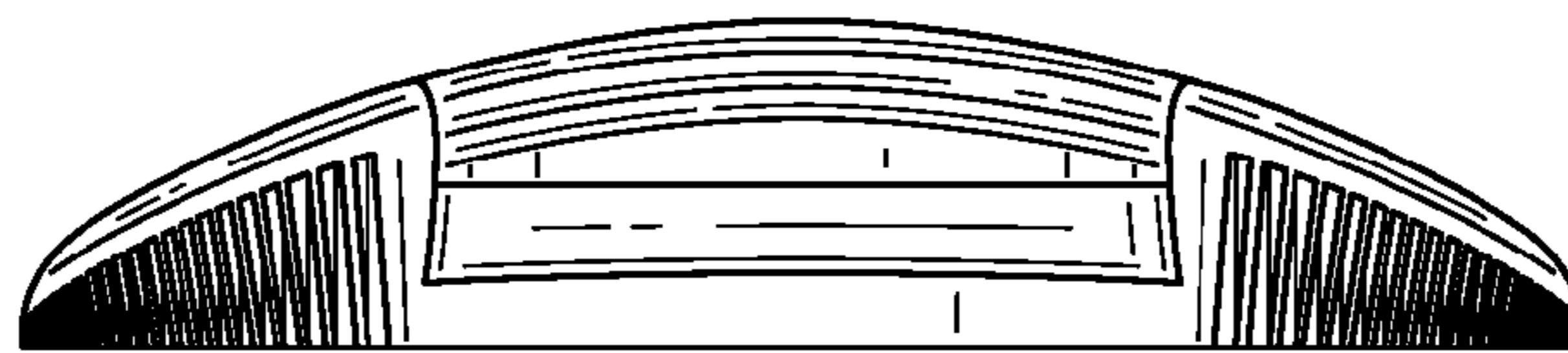


FIG. 5

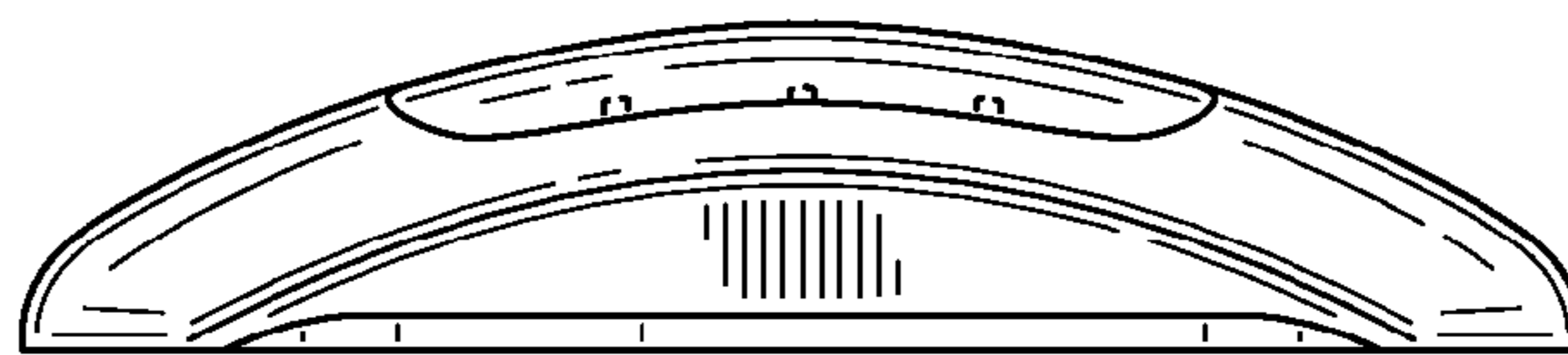


FIG. 6

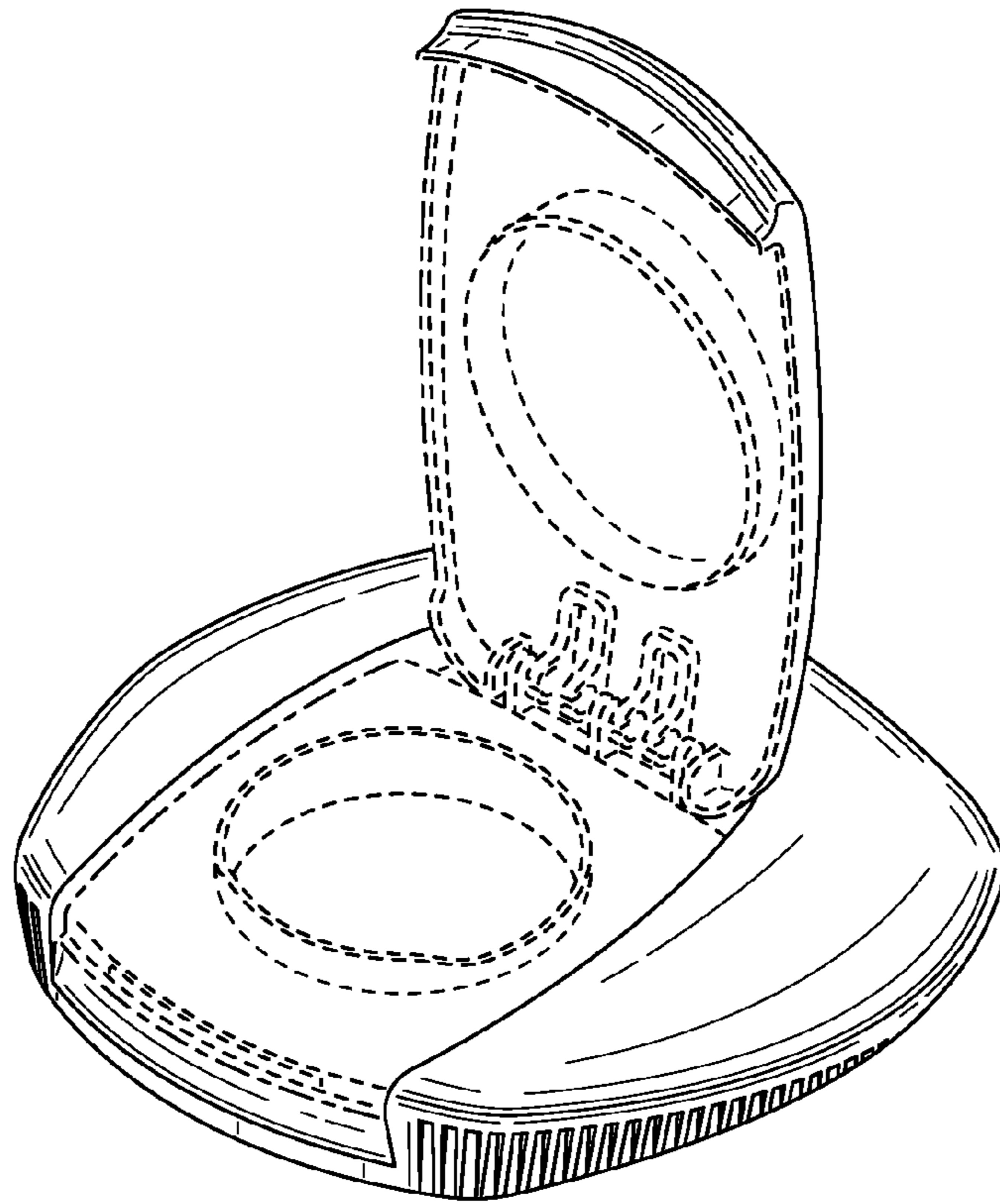


FIG. 7

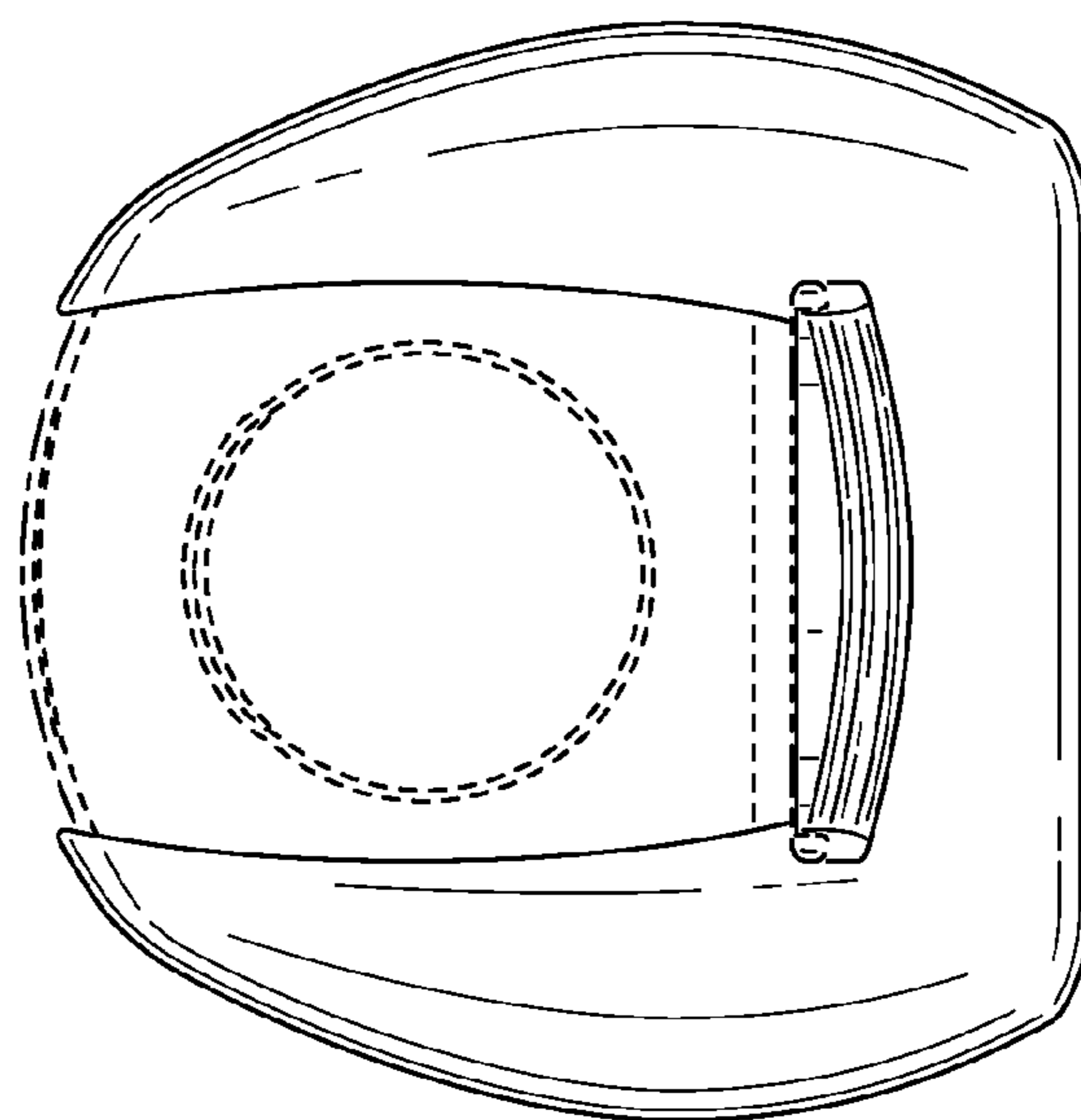


FIG. 8

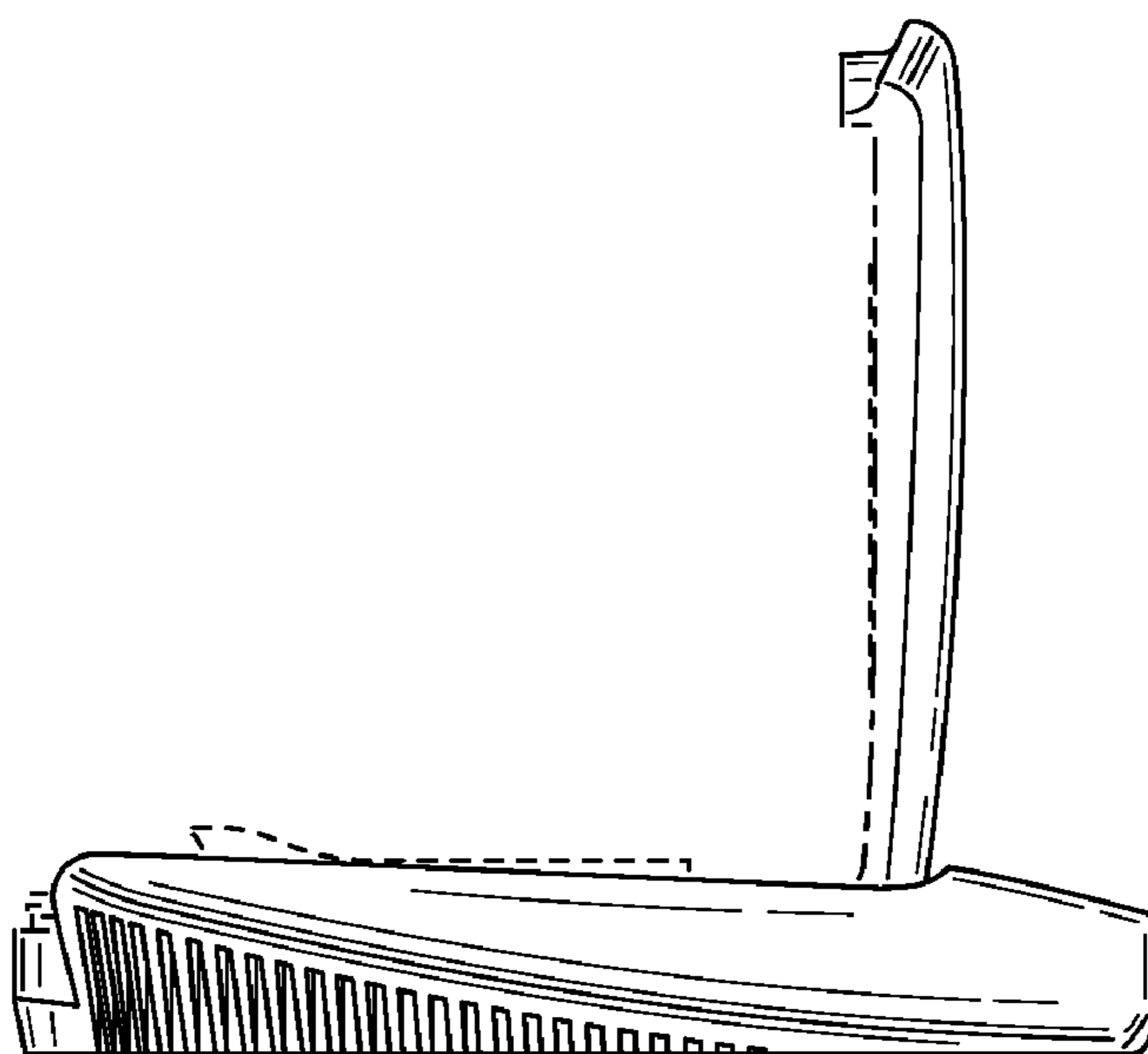


FIG. 9

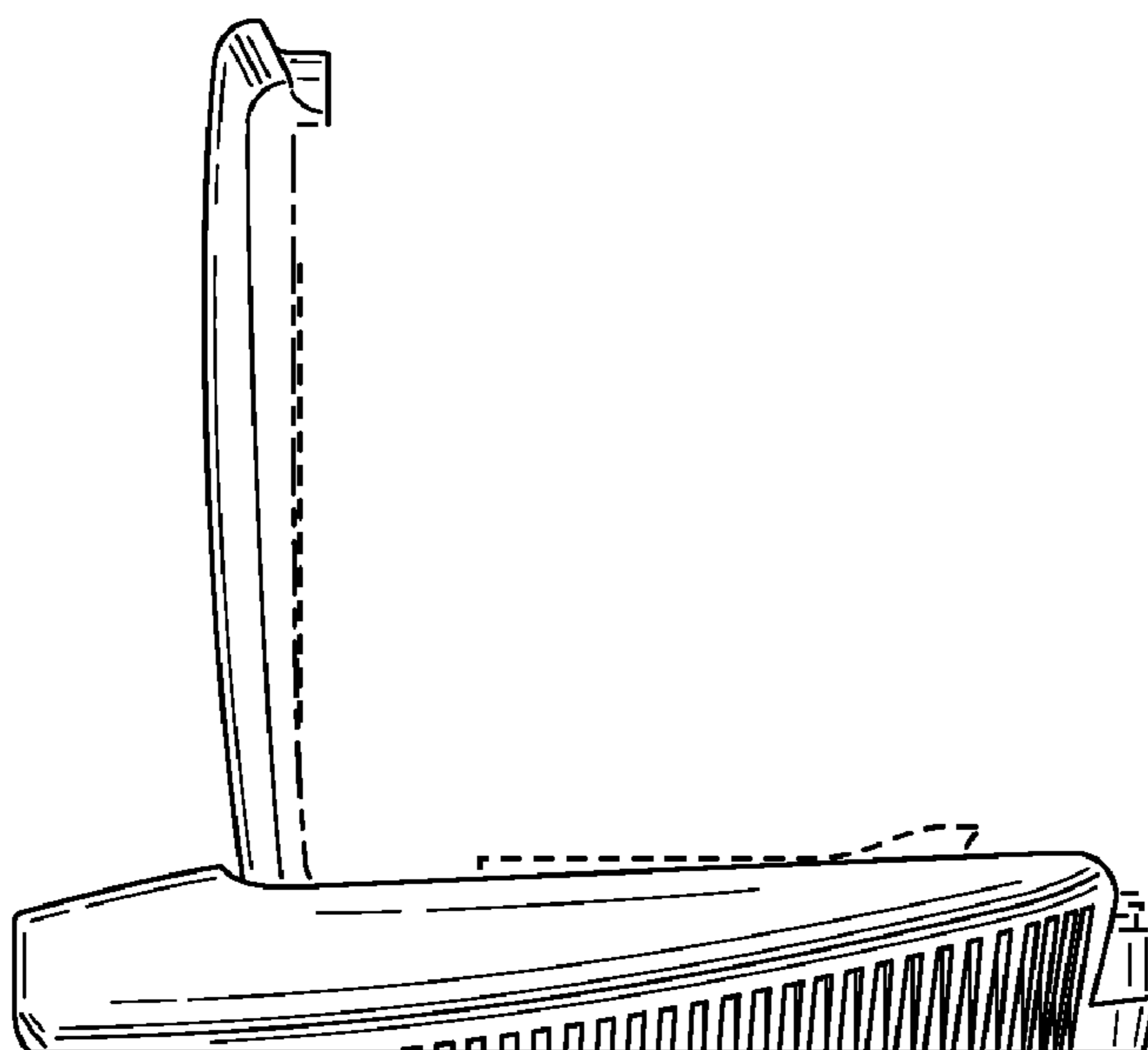


FIG. 10

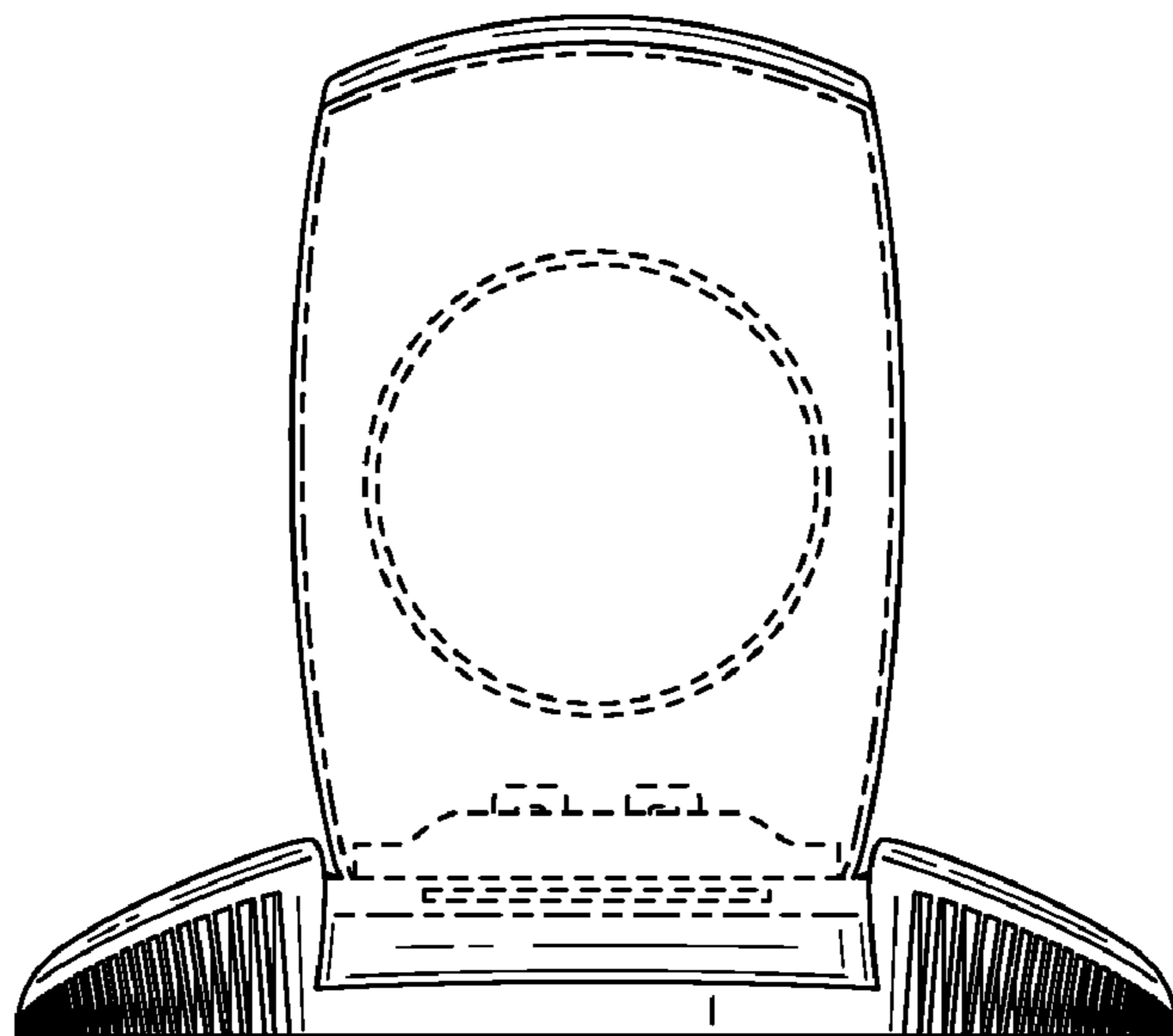


FIG. 11

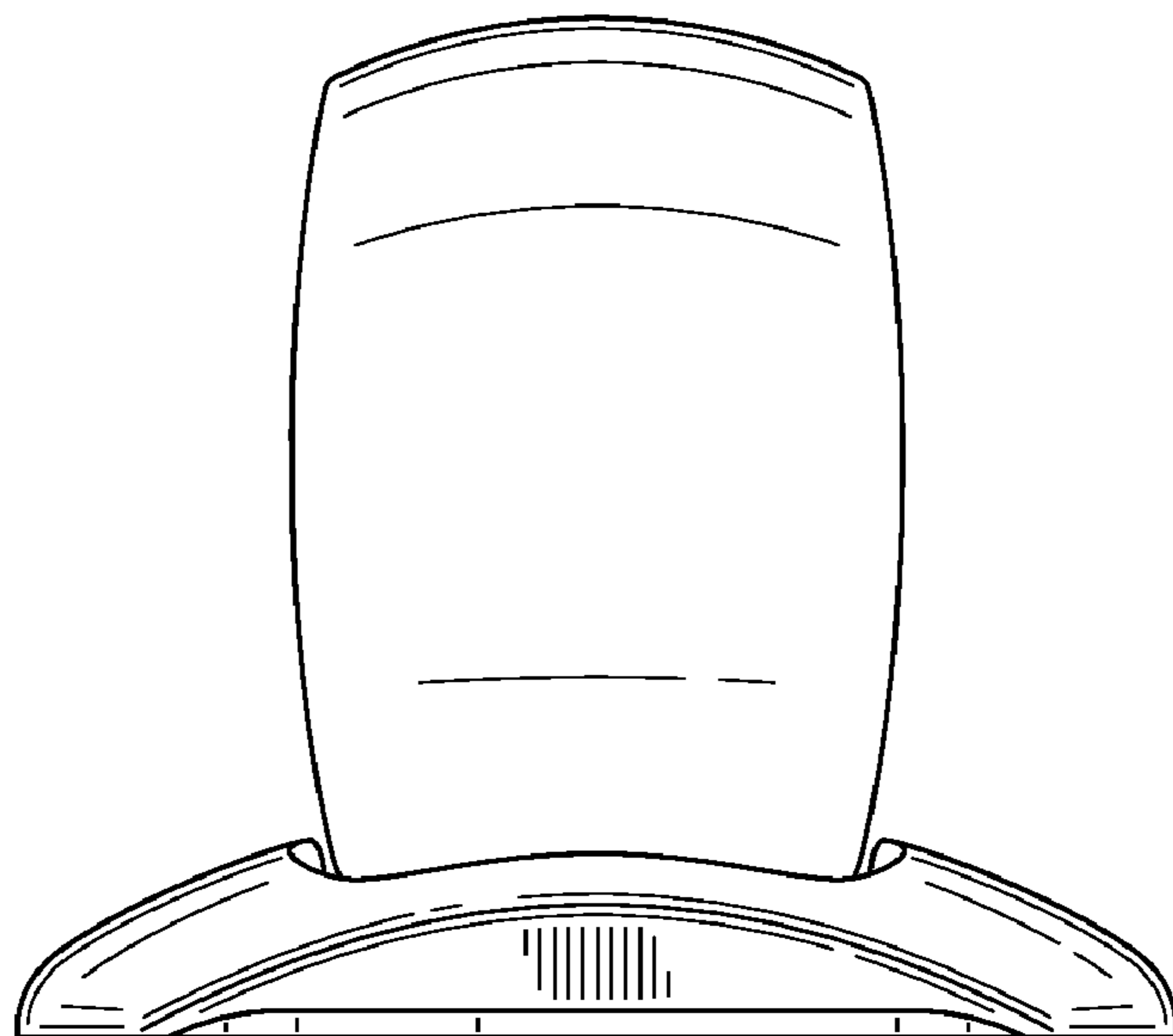


FIG. 12

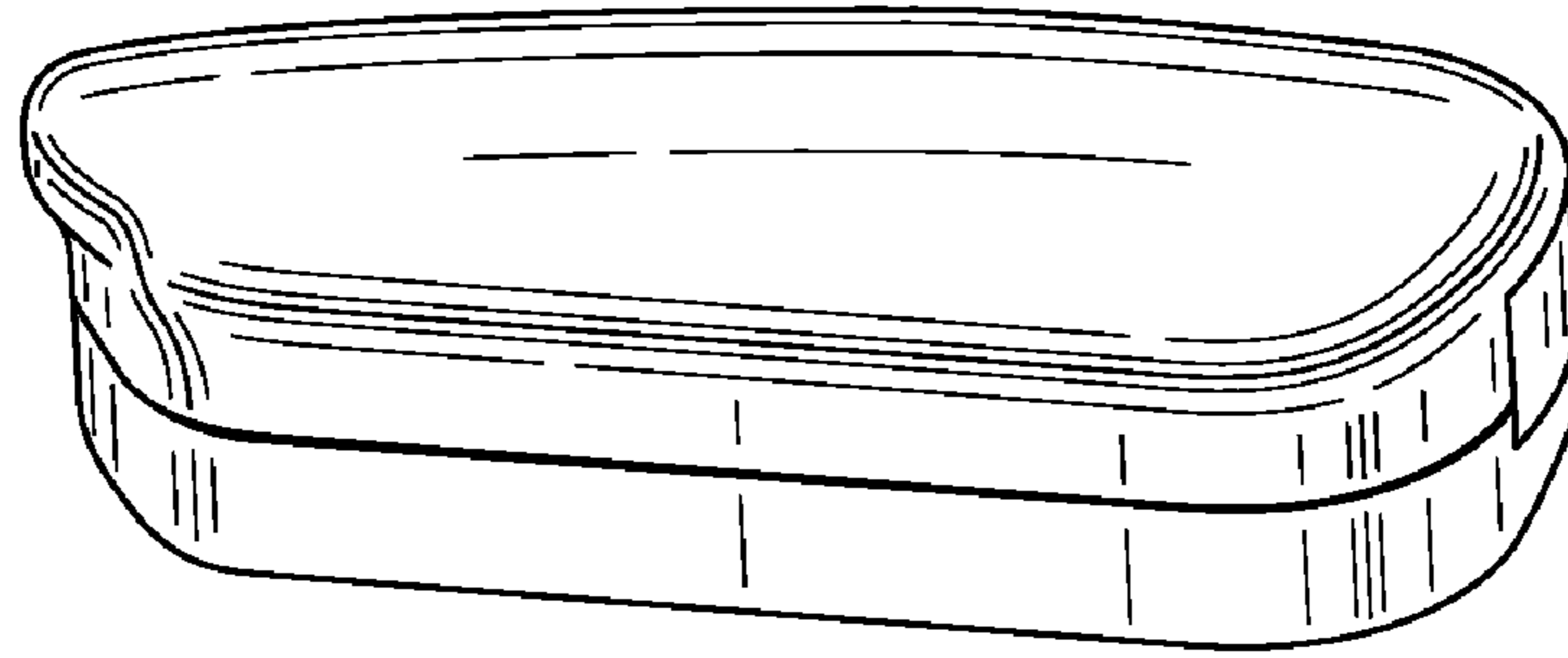


FIG. 13

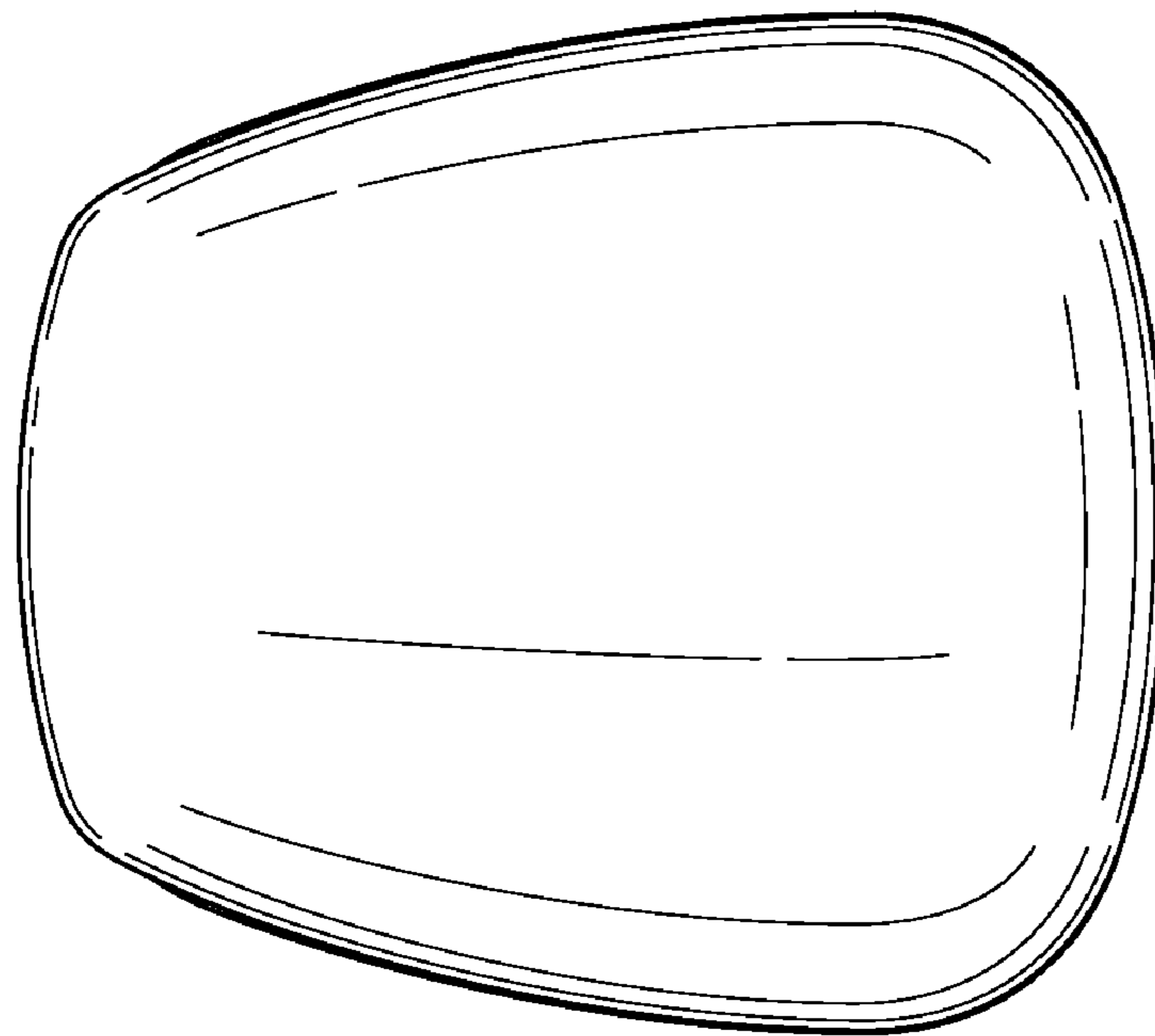


FIG. 14

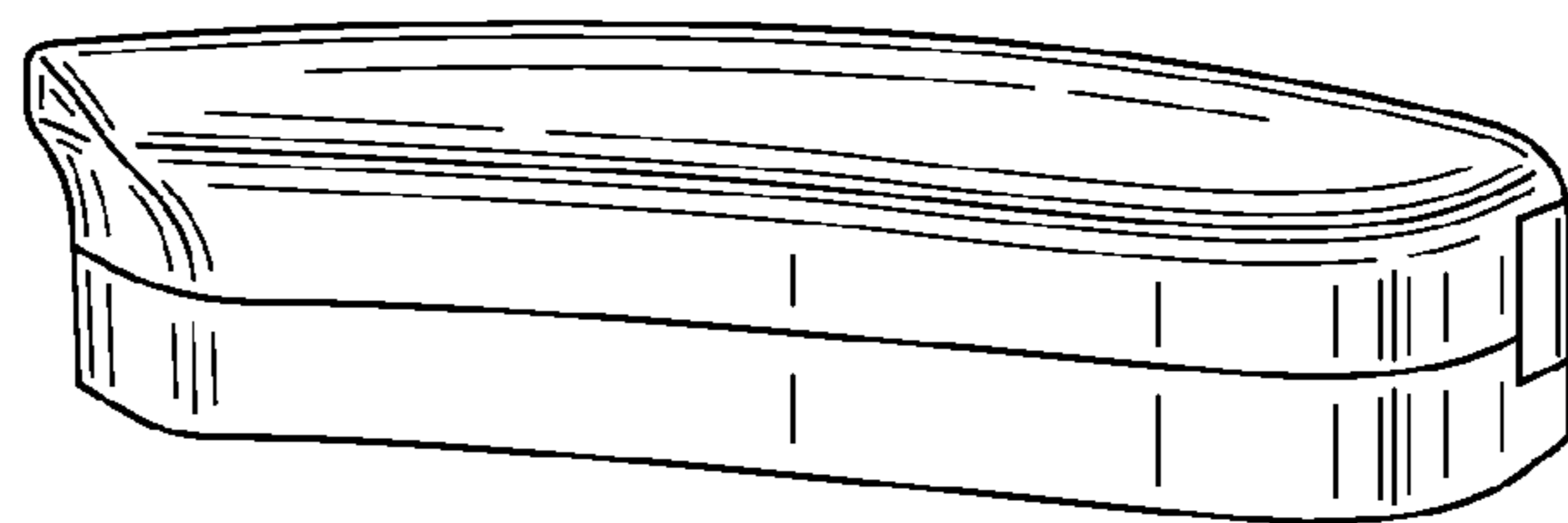


FIG. 15

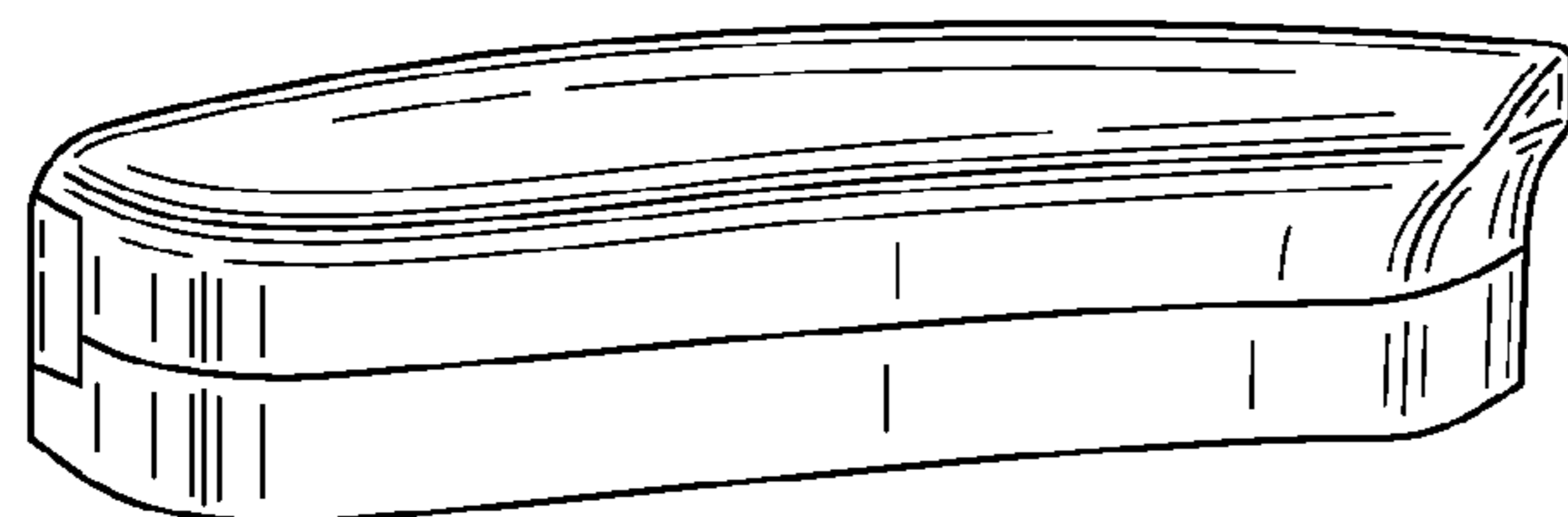


FIG. 16

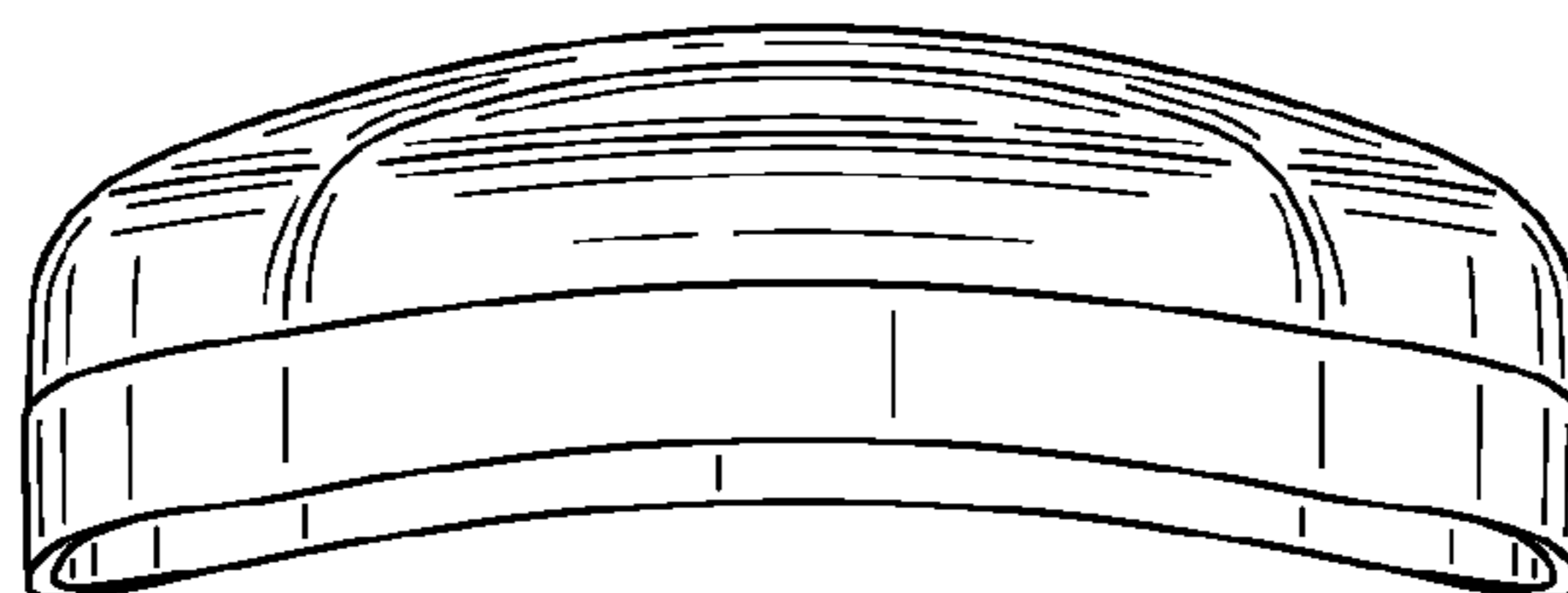


FIG. 17

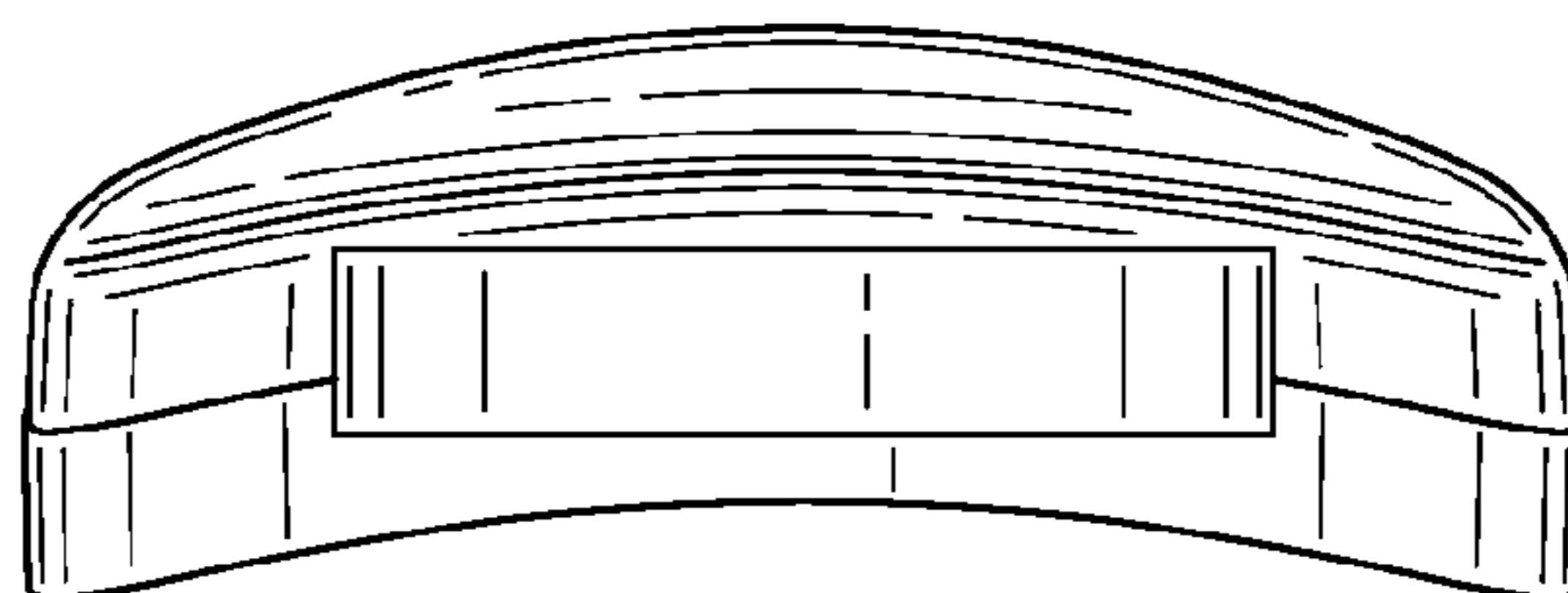


FIG. 18

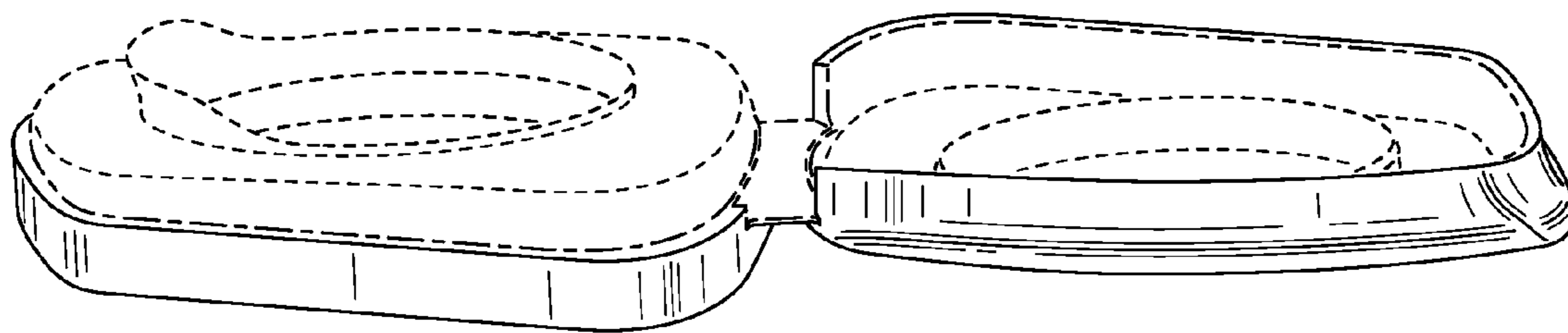


FIG. 19

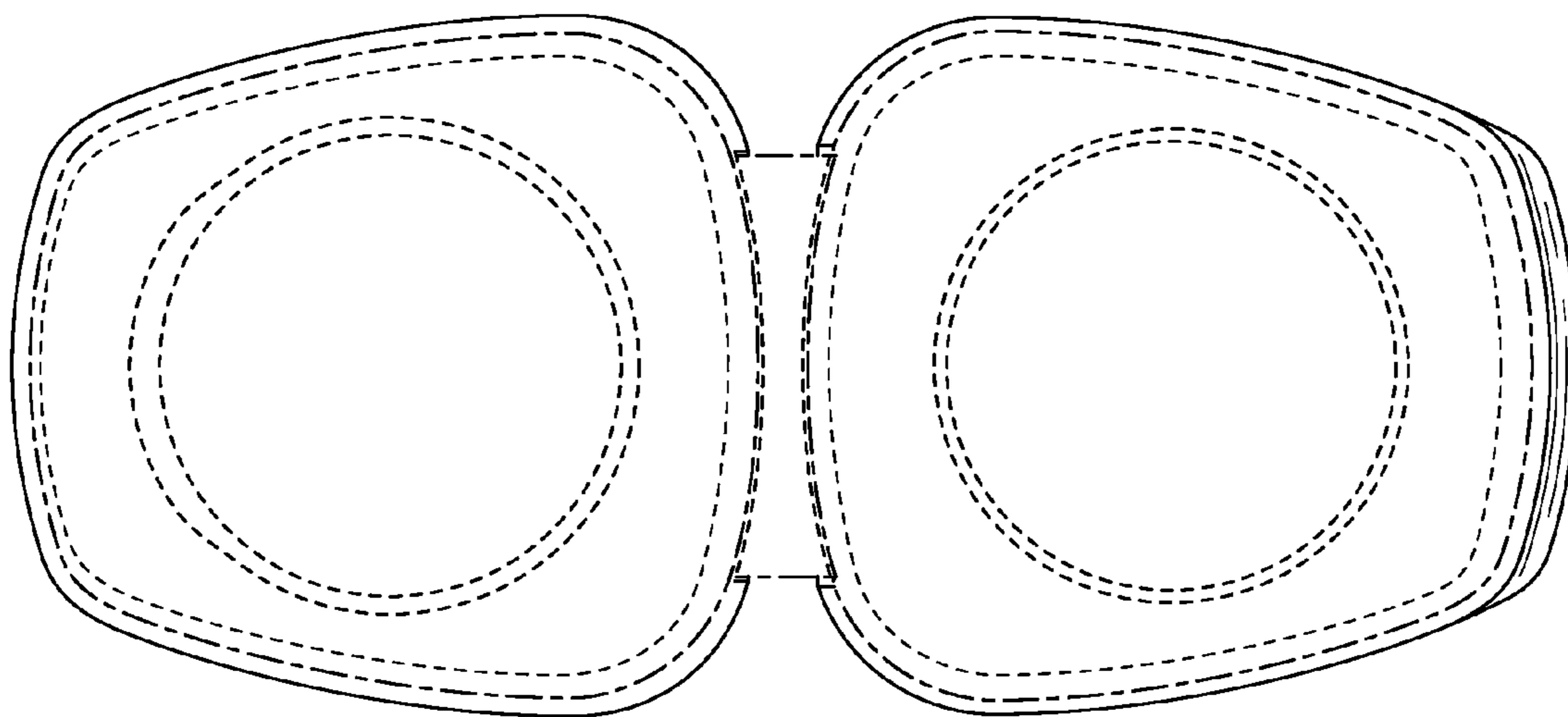


FIG. 20

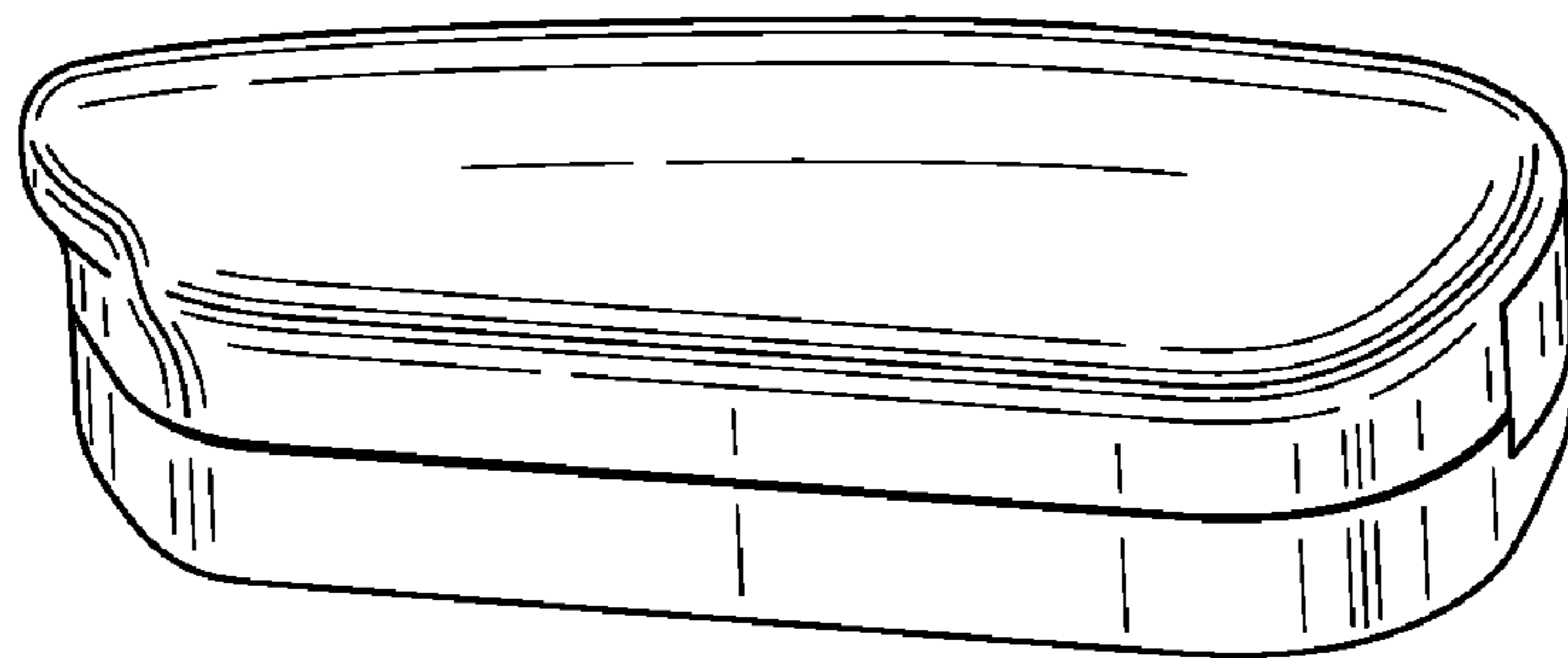


FIG. 21

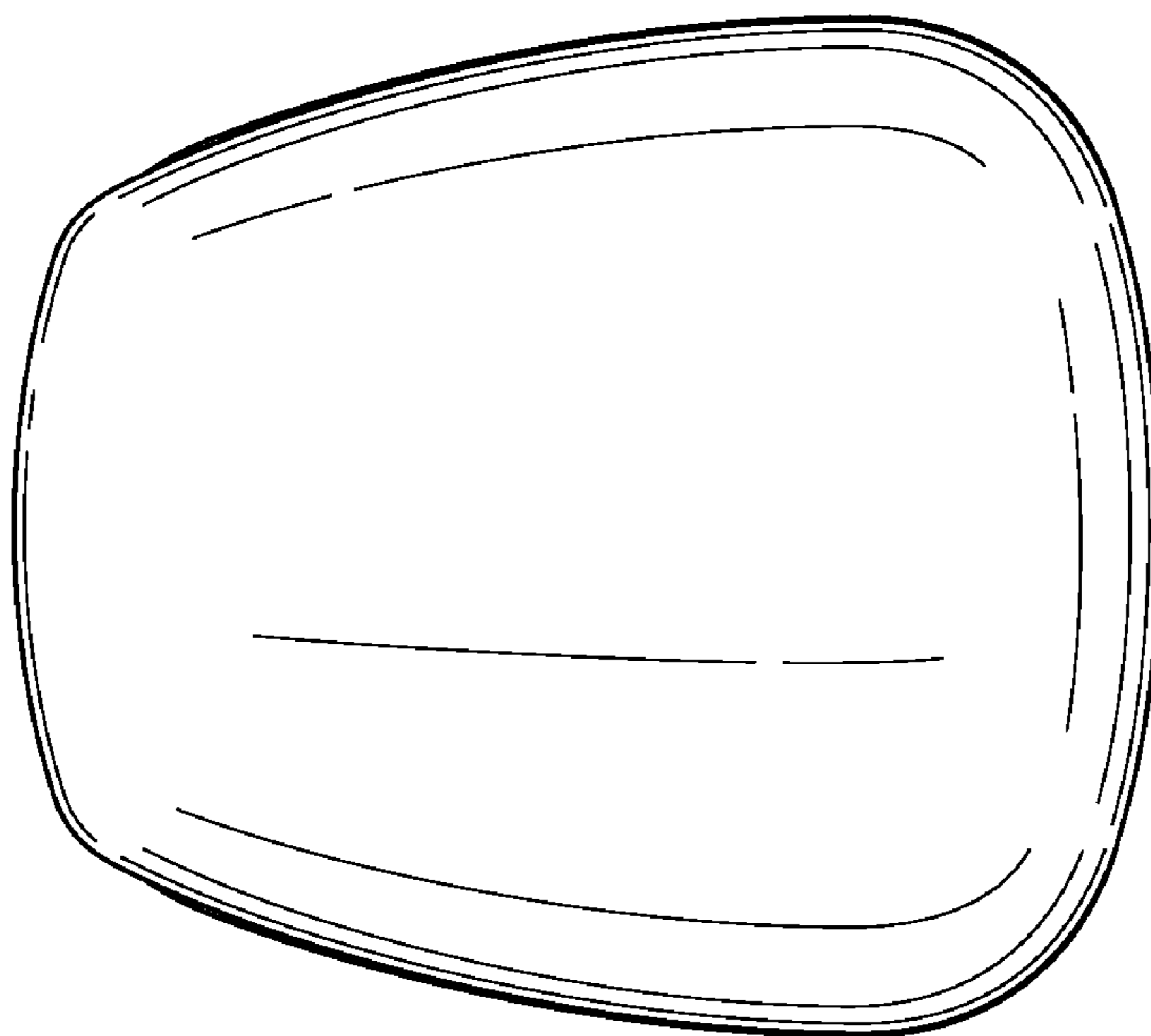


FIG. 22

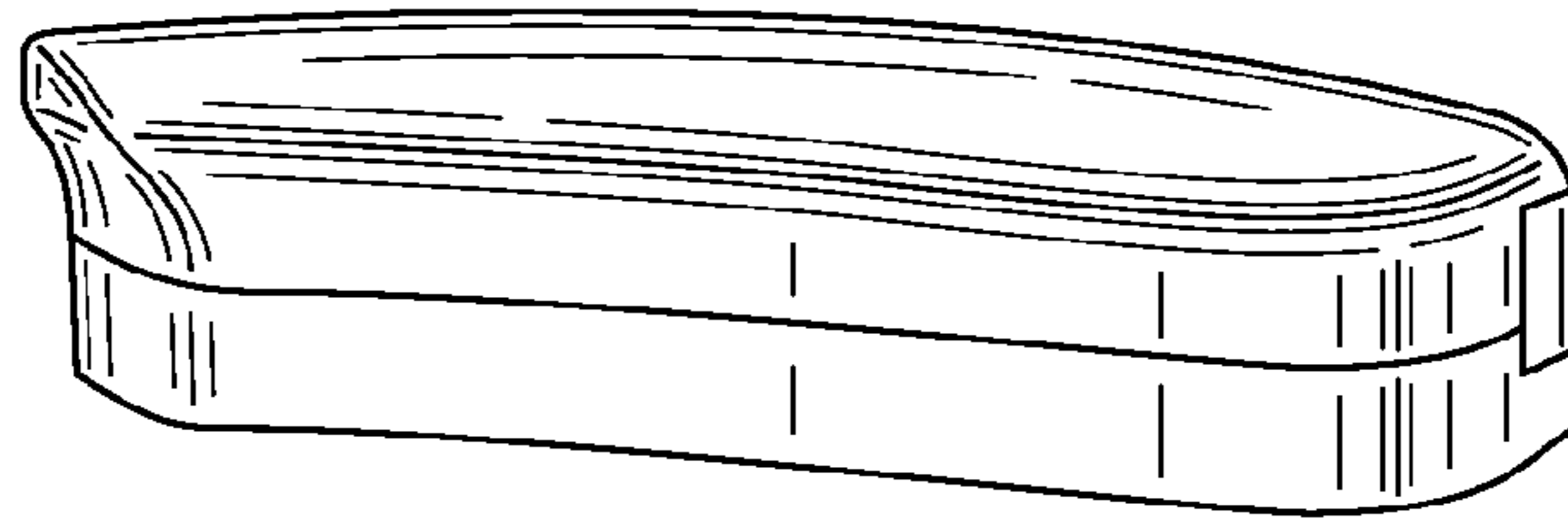


FIG. 23

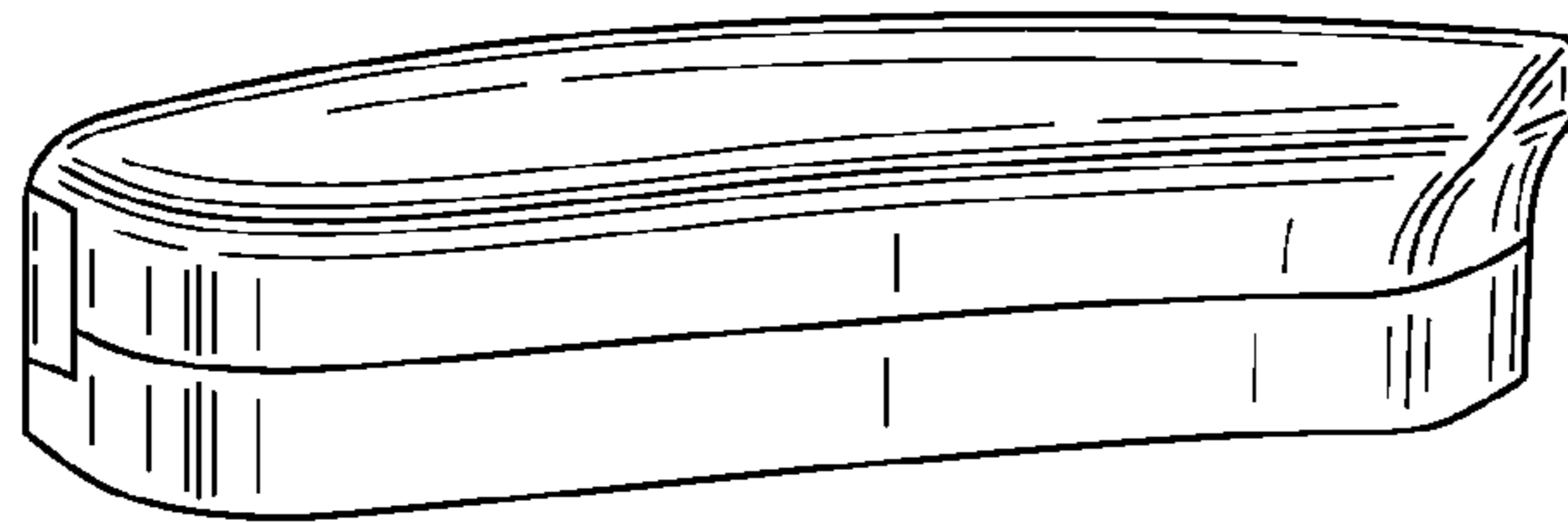


FIG. 24

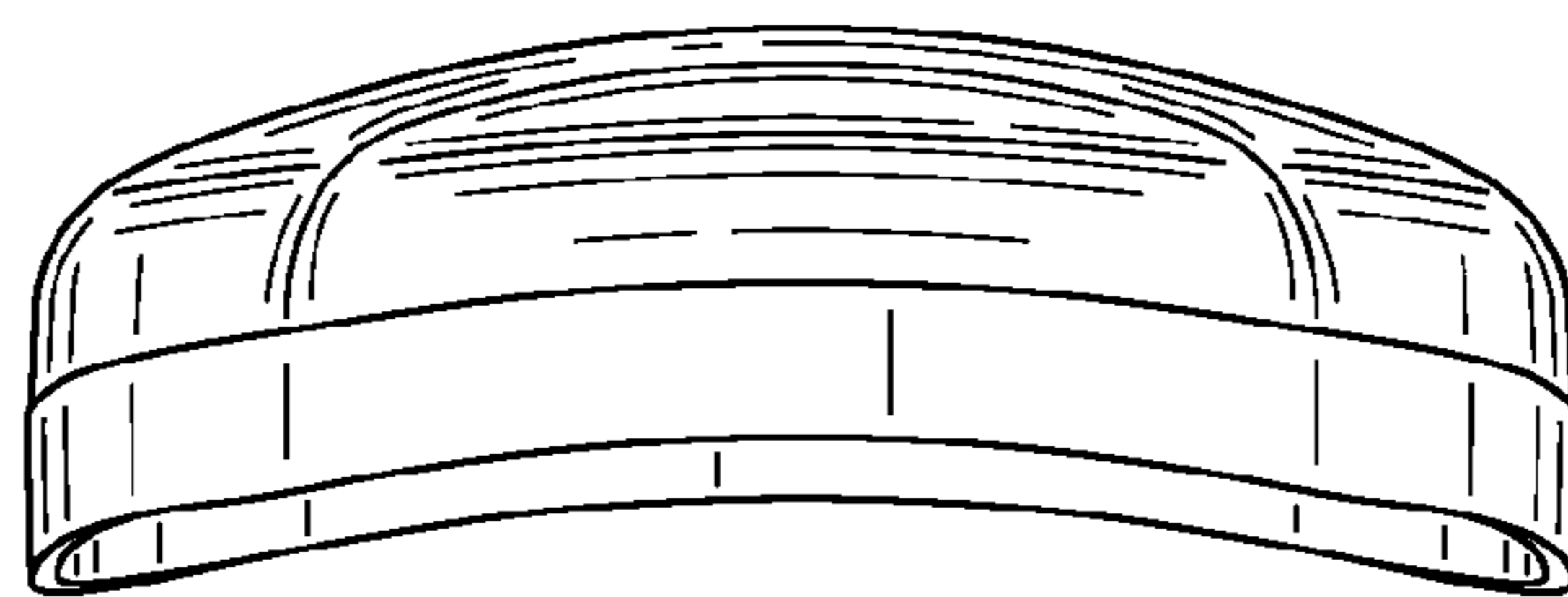


FIG. 25

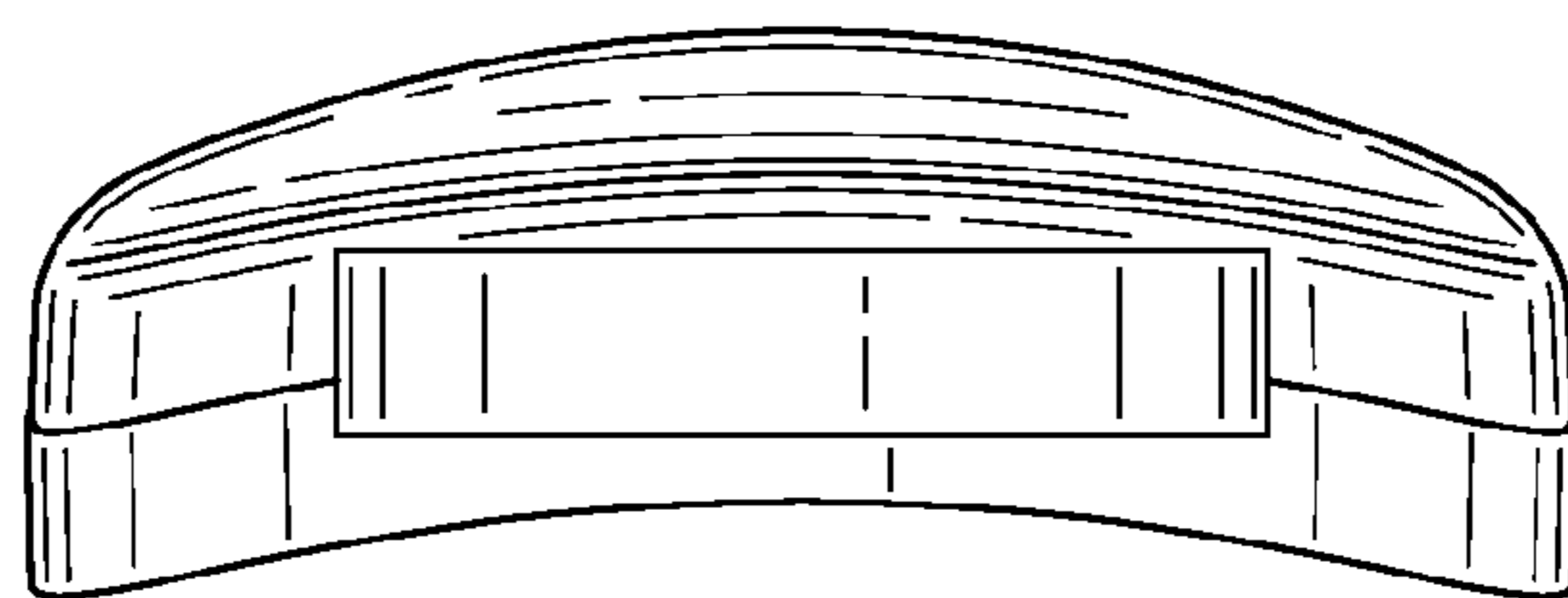


FIG. 26

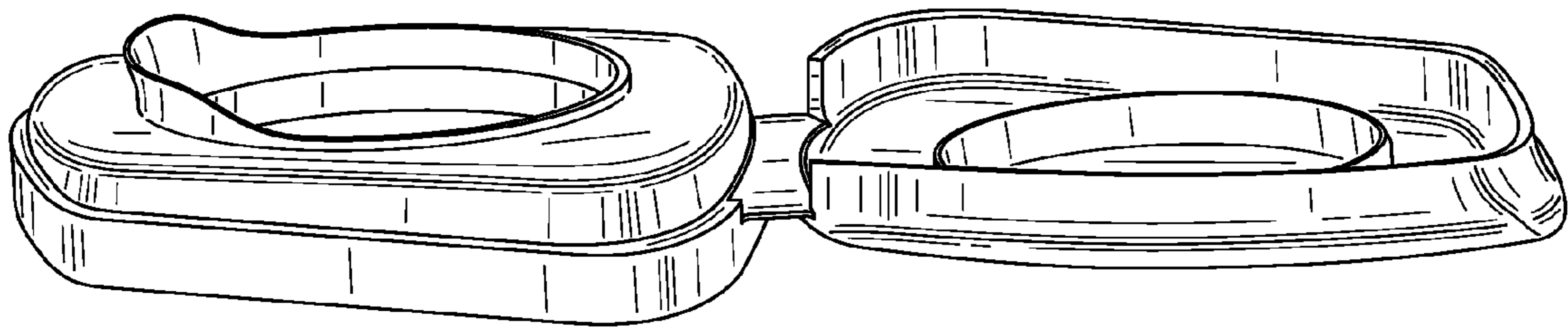


FIG. 27

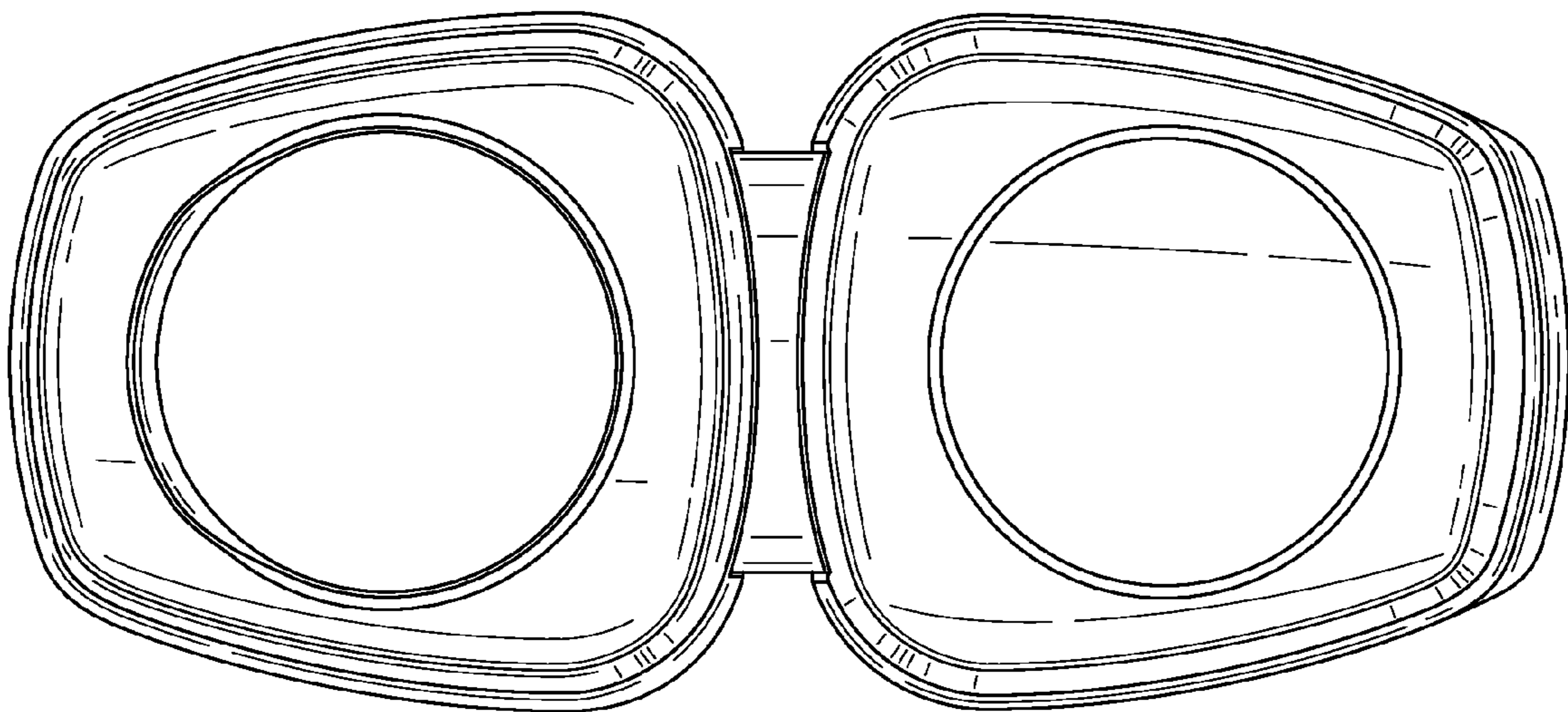


FIG. 28

UNITED STATES PATENT AND TRADEMARK OFFICE
CERTIFICATE OF CORRECTION

PATENT NO. : D629,300 S
APPLICATION NO. : 29/350224
DATED : December 21, 2010
INVENTOR(S) : Peter E. Arnell et al.

Page 1 of 2

It is certified that error appears in the above-identified patent and that said Letters Patent is hereby corrected as shown below:

On the Cover Page, Under DESCRIPTION:

Please remove the Figure Descriptions for Figures 13-28.

Please remove "FIG. 11 is a front view thereof;" and insert --FIG. 11 is a front view thereof; and--

Please remove "FIG. 12 is a back view thereof;" and insert --FIG. 12 is a back view thereof.--

Please remove "1 Claim, 11 Drawing Sheets" and insert --1 Claim, 5 Drawing Sheets--

In the Figures:

Please remove Figures 13-28 (Sheet 6-11).

Signed and Sealed this
Thirteenth Day of March, 2012

A handwritten signature in black ink that reads "David J. Kappos". The signature is written in a cursive style with a large initial "D" and "K".

David J. Kappos
Director of the United States Patent and Trademark Office

(12) **United States Design Patent** (10) **Patent No.:** **US D629,300 S**
Arnell et al. (45) **Date of Patent:** **** Dec. 21, 2010**

(54) **CAP**

(75) **Inventors:** **Peter E. Arnell**, New York, NY (US);
Marc T. Wiscinski, Chicago, IL (US);
Nicole Green, Barrington, IL (US);
Brent S. Nelson, Village of Lakewood,
 IL (US); **Paul Gahlman**, Muskego, WI
 (US); **Tim Mazurkiewicz**, Milwaukee,
 WI (US); **Matt Meisner**, Crystal Lake,
 IL (US); **Michael Cannamela**, New
 York, NY (US); **Jonathan Kim**,
 Brooklyn, NY (US); **Jung-ah Suh**, New
 York, NY (US)

(73) **Assignee:** **Tropicana Products, Inc.**, Bradenton,
 FL (US)

(**) **Term:** **14 Years**

(21) **Appl. No.:** **29/350,224**

(22) **Filed:** **Nov. 12, 2009**

(51) **LOC (9) Cl.** **09-07**

(52) **U.S. Cl.** **D9/449; D9/453**

(58) **Field of Classification Search** **D9/529,**
D9/504, 503, 454, 453, 452, 450, 449, 447,
D9/446, 443, 435; D7/900, 396.2, 392.1;
222/556, 544, 494, 480, 472, 321.9, 212,
222/185.1; 220/837, 835, 813, 810, 375,
220/254.5; 215/305, 228, 226, 200

See application file for complete search history.

(56) **References Cited**

U.S. PATENT DOCUMENTS

D184,567 S 3/1959 Keck

(Continued)

Primary Examiner—Susan Bennett Hattan

(74) *Attorney, Agent, or Firm*—Banner & Witcoff, Ltd.

(57) **CLAIM**

The ornamental design for a cap, as shown and described.

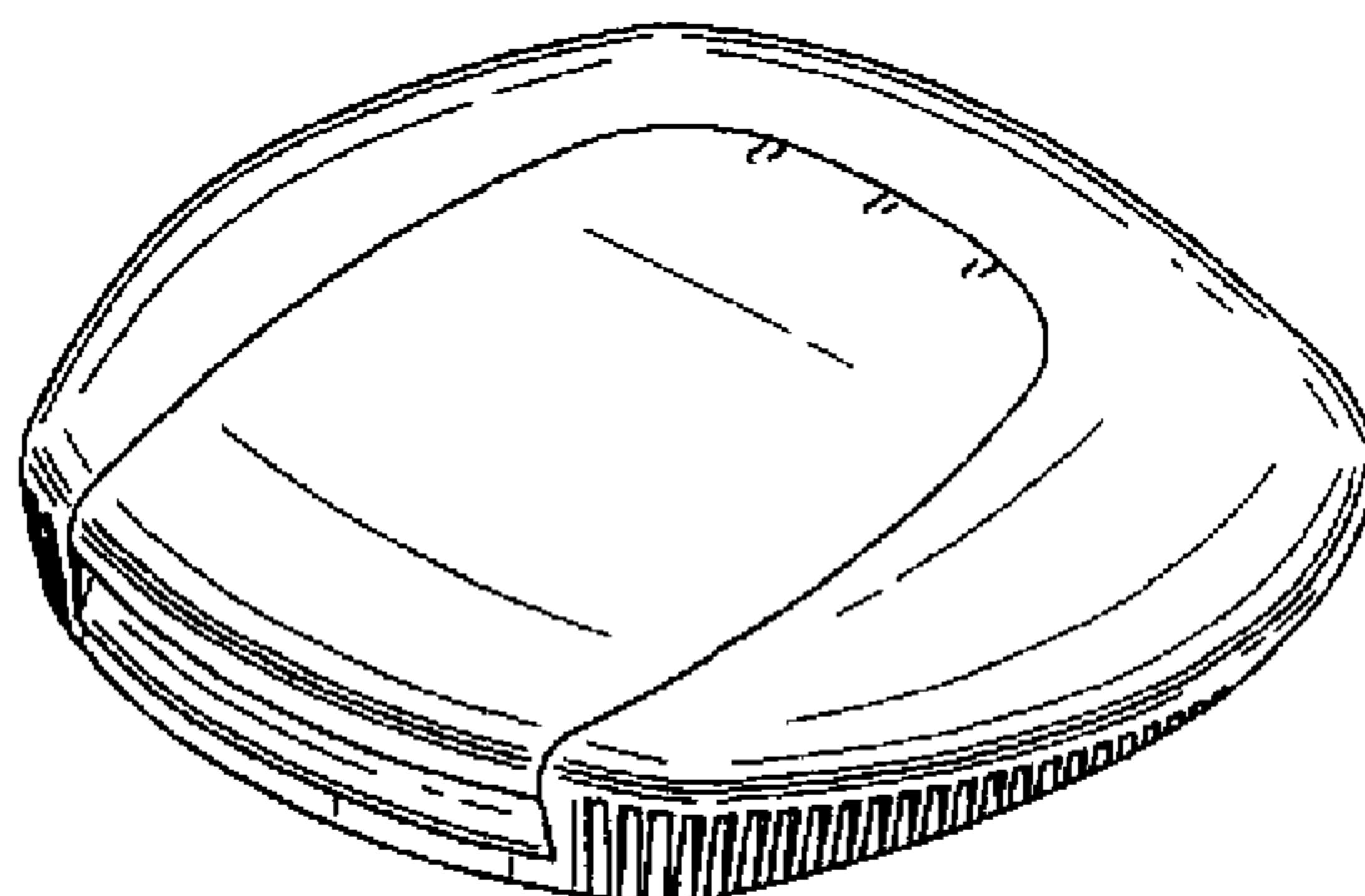
DESCRIPTION

FIG. 1 is a top front right perspective view of a cap showing our new design;

FIG. 2 is a top view thereof;
 FIG. 3 is a right side view thereof;
 FIG. 4 is a left side view thereof;
 FIG. 5 is a front view thereof;
 FIG. 6 is a back view thereof;
 FIG. 7 is a top front right perspective view of a cap of FIGS. 1-6 in an in-use, open position;
 FIG. 8 is a top view thereof;
 FIG. 9 is a right side view thereof;
 FIG. 10 is a left side view thereof;
 FIG. 11 is a front view thereof;
 FIG. 12 is a back view thereof;
 FIG. 13 is a top right perspective view of a cap showing a second embodiment of our new design;
 FIG. 14 is a top view thereof;
 FIG. 15 is a right side view thereof;
 FIG. 16 is a left side view thereof;
 FIG. 17 is a front view thereof;
 FIG. 18 is a back view thereof;
 FIG. 19 is a top right perspective view of a cap of FIGS. 13-18 in an in-use, open position;
 FIG. 20 is a top view thereof;
 FIG. 21 is a top right perspective view of a cap showing a third embodiment of our new design;
 FIG. 22 is a top view thereof;
 FIG. 23 is a right side view thereof;
 FIG. 24 is a left side view thereof;
 FIG. 25 is a front view thereof;
 FIG. 26 is a back view thereof;
 FIG. 27 is a top right perspective view of a cap of FIGS. 21-26 in an in-use, open position; and,
 FIG. 28 is a top view thereof.

The uneven-length broken lines in the figures represent unclaimed boundaries of the claimed design. The remaining even-length broken lines depict environment only and form no part of the claimed design.

1 Claim, 5 Drawing Sheets



UNITED STATES PATENT AND TRADEMARK OFFICE
CERTIFICATE OF CORRECTION

PATENT NO. : D629,300 S
APPLICATION NO. : 29/350224
DATED : December 21, 2010
INVENTOR(S) : Peter E. Arnell et al.

Page 1 of 7

It is certified that error appears in the above-identified patent and that said Letters Patent is hereby corrected as shown below:

Delete the title page and substitute therefore the attached title page consisting of corrected DESCRIPTION and number of drawing sheets in patent.

Delete Drawing Sheets 1-11 and substitute therefore the attached Drawing Sheets 1-5. (FIGS. 13-28 have been cancelled)

This certificate supersedes the Certificate of Correction issued March 13, 2012.

Signed and Sealed this
Third Day of April, 2012

A handwritten signature in black ink that reads "David J. Kappos". The signature is written in a cursive, slightly slanted style.

David J. Kappos
Director of the United States Patent and Trademark Office

(12) **United States Design Patent**
Arnell et al.

(10) **Patent No.:** **US D629,300 S**

(45) **Date of Patent:** **** Dec. 21, 2010**

(54) **CAP**

(75) **Inventors:** **Peter E. Arnell**, New York, NY (US);
Marc T. Wiscinski, Chicago, IL (US);
Nicole Green, Barrington, IL (US);
Brent S. Nelson, Village of Lakewood,
IL (US); **Paul Gahlman**, Muskego, WI
(US); **Tim Mazurkiewicz**, Milwaukee,
WI (US); **Matt Meisner**, Crystal Lake,
IL (US); **Michael Cannamela**, New
York, NY (US); **Jonathan Kim**,
Brooklyn, NY (US); **Jung-ah Suh**, New
York, NY (US)

(73) **Assignee:** **Tropicana Products, Inc.**, Bradenton,
FL (US)

(**) **Term:** **14 Years**

(21) **Appl. No.:** **29/350,224**

(22) **Filed:** **Nov. 12, 2009**

(51) **LOC (9) Cl.** **09-07**

(52) **U.S. Cl.** **D9/449; D9/453**

(58) **Field of Classification Search** **D9/529,**
D9/504, 503, 454, 453, 452, 450, 449, 447,
D9/446, 443, 435; D9/900, 396.2, 392.1;
222/556, 544, 494, 480, 472, 321.9, 212,
222/185.1; 220/837, 835, 813, 810, 375,
220/254.5; 215/305, 228, 226, 200

See application file for complete search history.

(56) **References Cited**

U.S. PATENT DOCUMENTS

D184,567 S 3/1959 Keck

(Continued)

Primary Examiner—Susan Bennett Hattau

(74) *Attorney, Agent, or Firm*—Banner & Witcoff, Ltd.

(57) **CLAIM**

The ornamental design for a cap, as shown and described.

DESCRIPTION

FIG. 1 is a top front right perspective view of a cap showing our new design;

FIG. 2 is a top view thereof;

FIG. 3 is a right side view thereof;

FIG. 4 is a left side view thereof;

FIG. 5 is a front view thereof;

FIG. 6 is a back view thereof;

FIG. 7 is a top front right perspective view of a cap of FIGS. 1-6 in an in-use, open position;

FIG. 8 is a top view thereof;

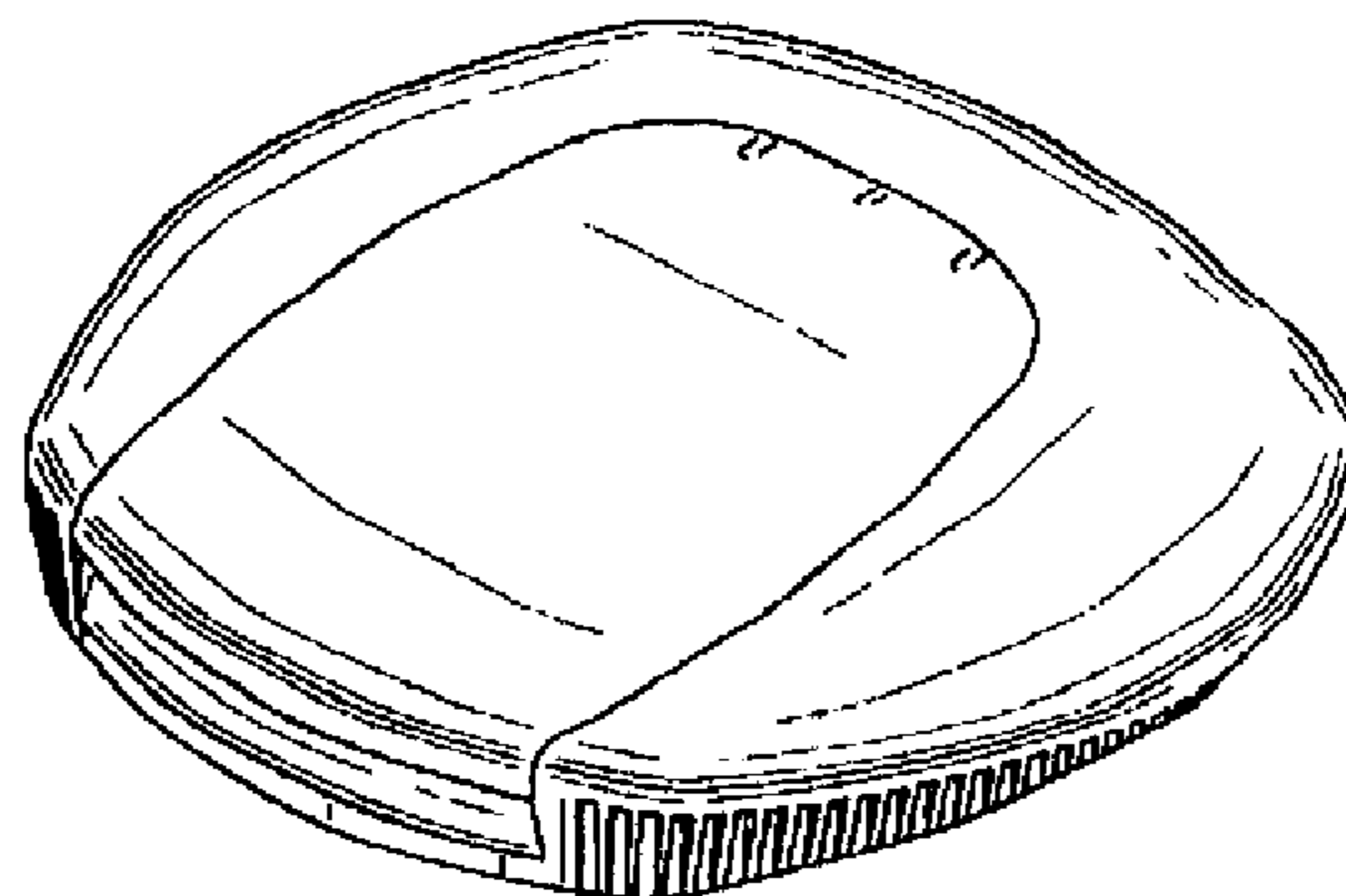
FIG. 9 is a right side view thereof;

FIG. 10 is a left side view thereof;

FIG. 11 is a front view thereof; and

FIG. 12 is a back view thereof.

1 Claim, 5 Drawing Sheets



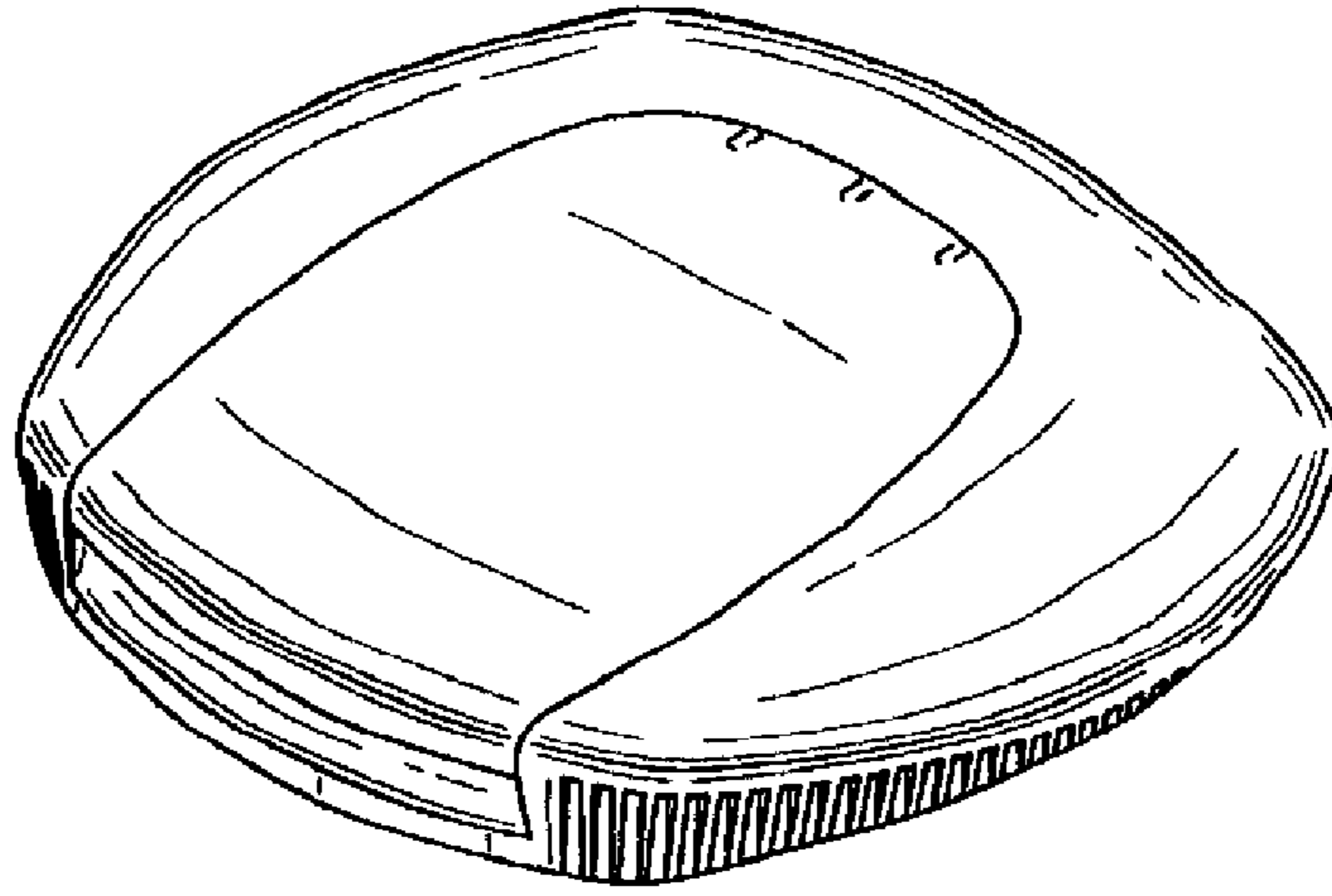


FIG. 1

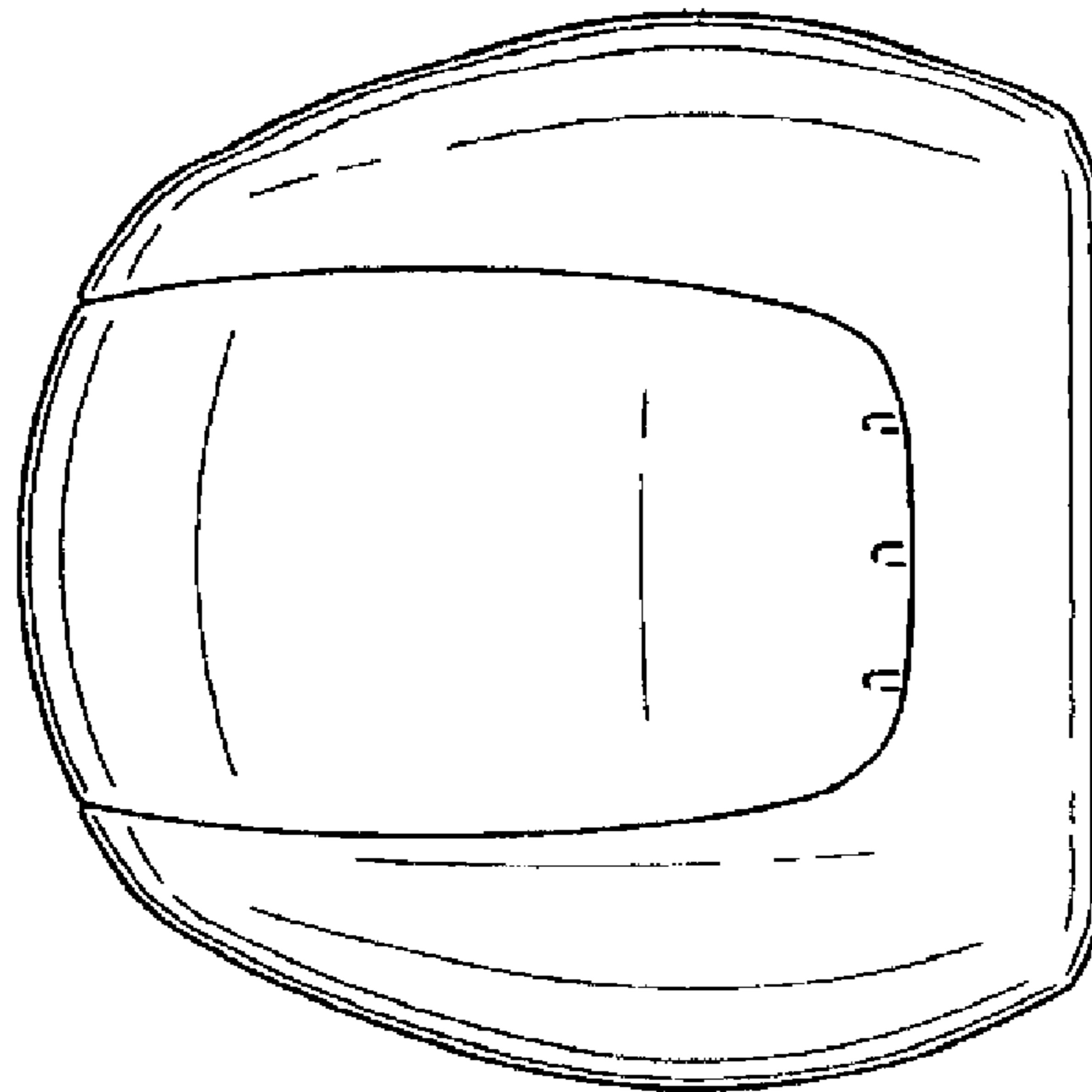


FIG. 2



FIG. 3



FIG. 4

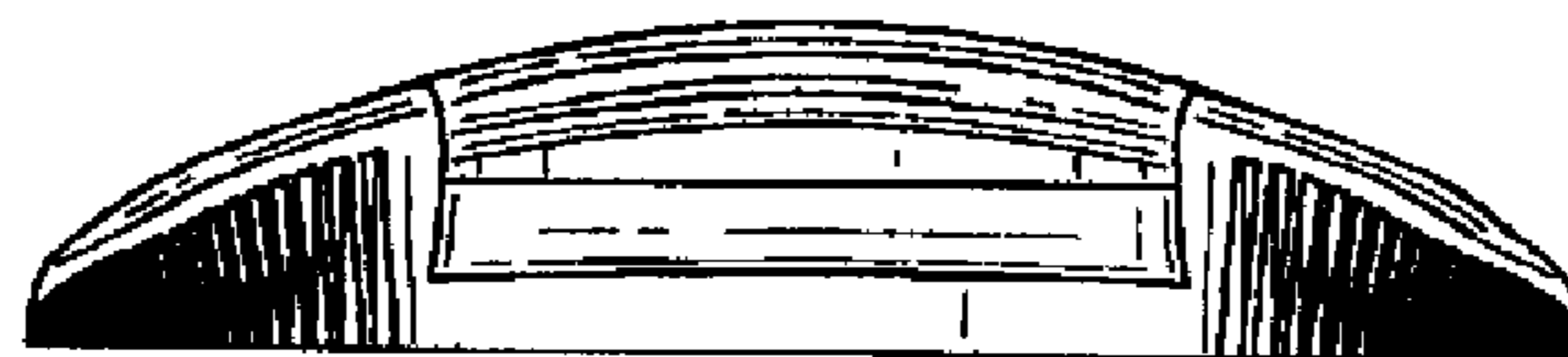


FIG. 5



FIG. 6

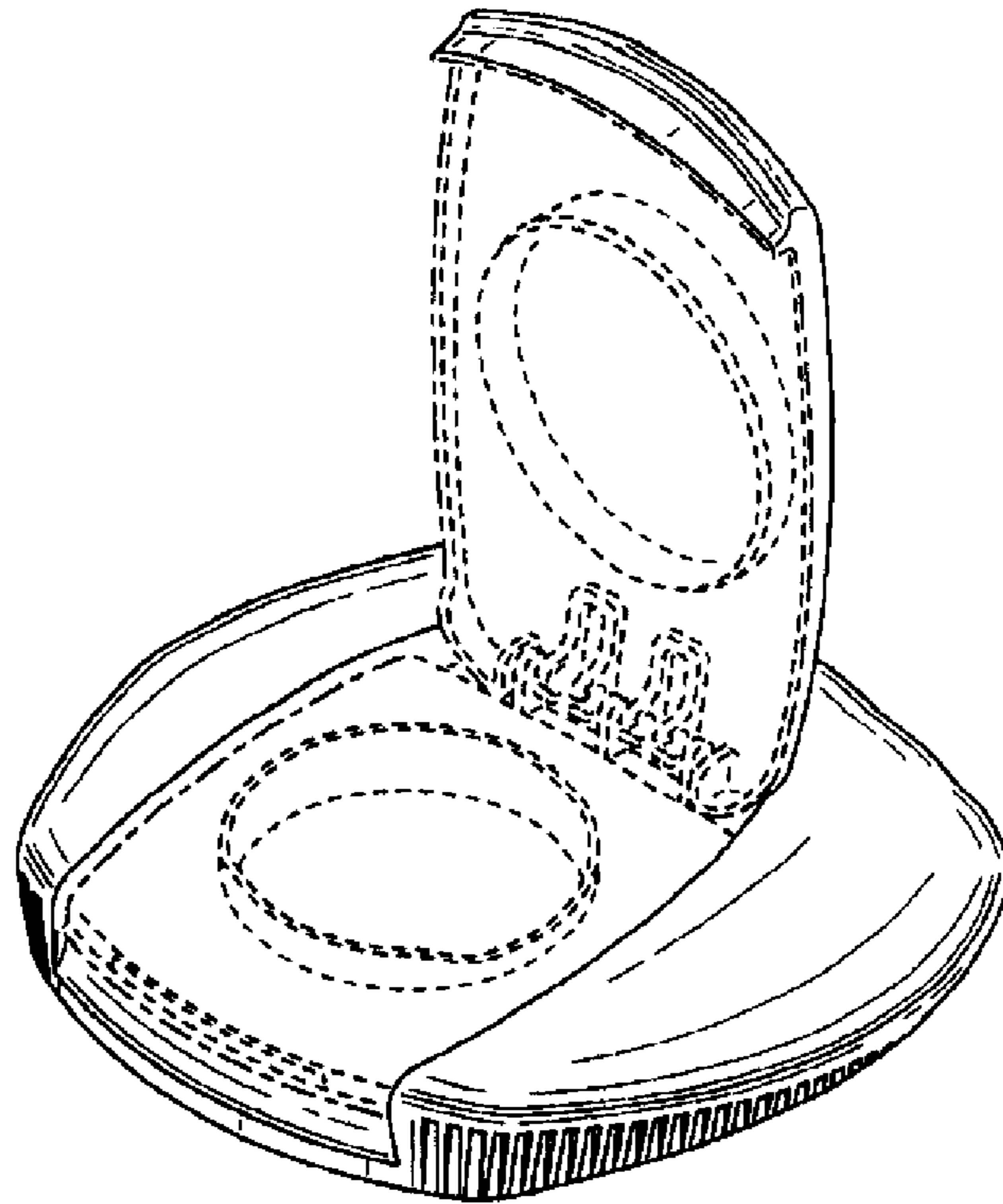


FIG. 7

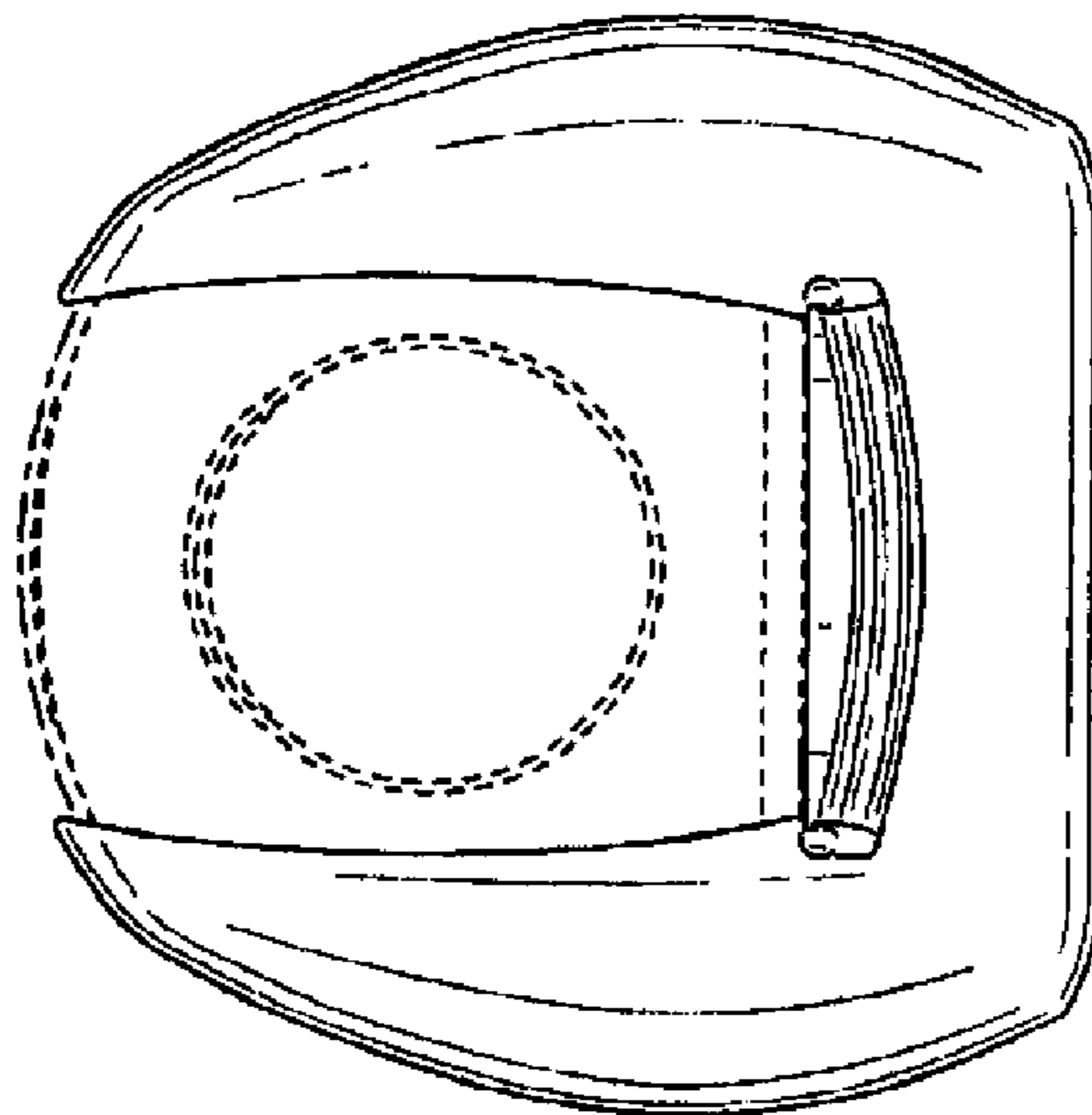


FIG. 8

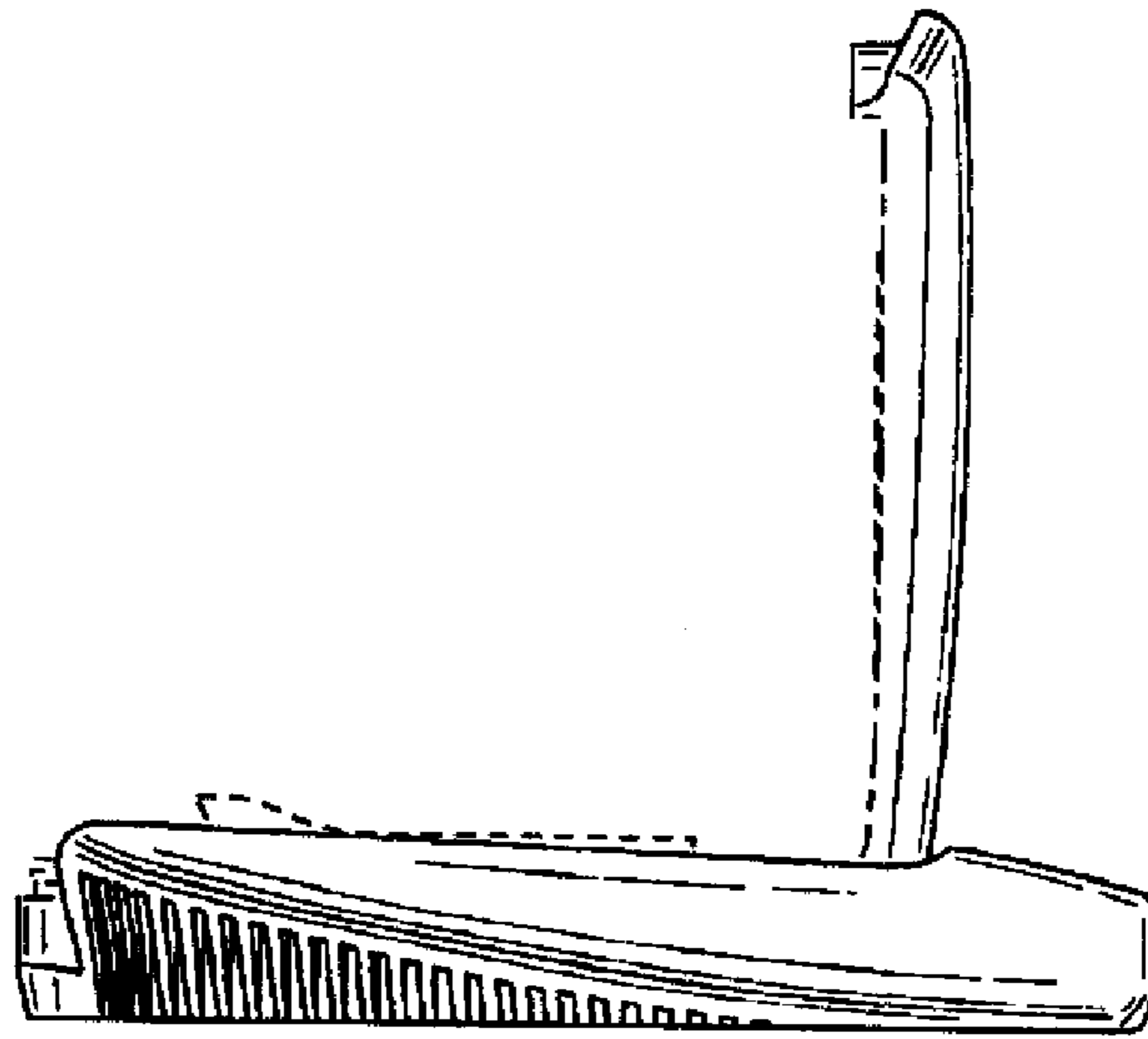


FIG. 9

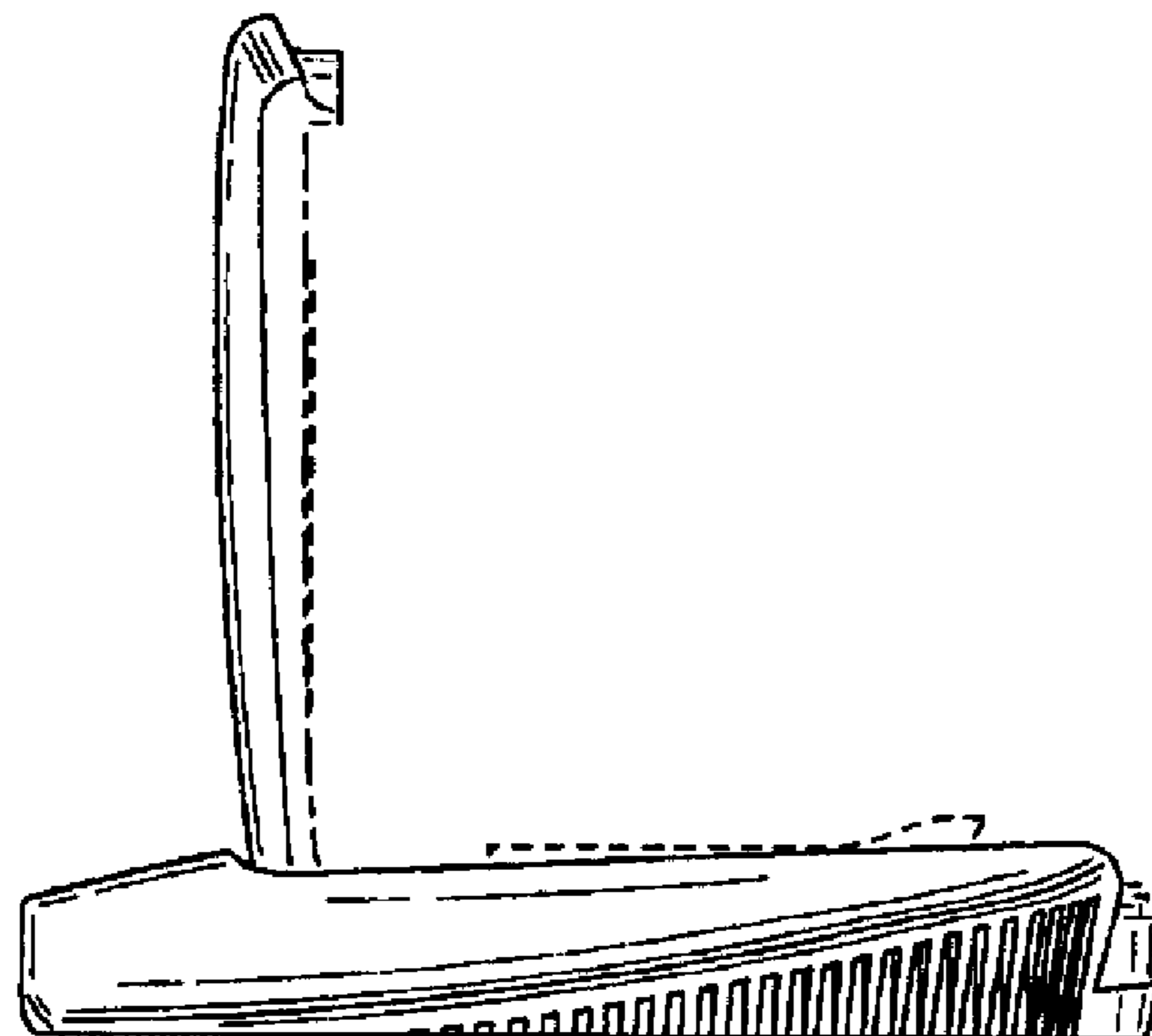


FIG. 10

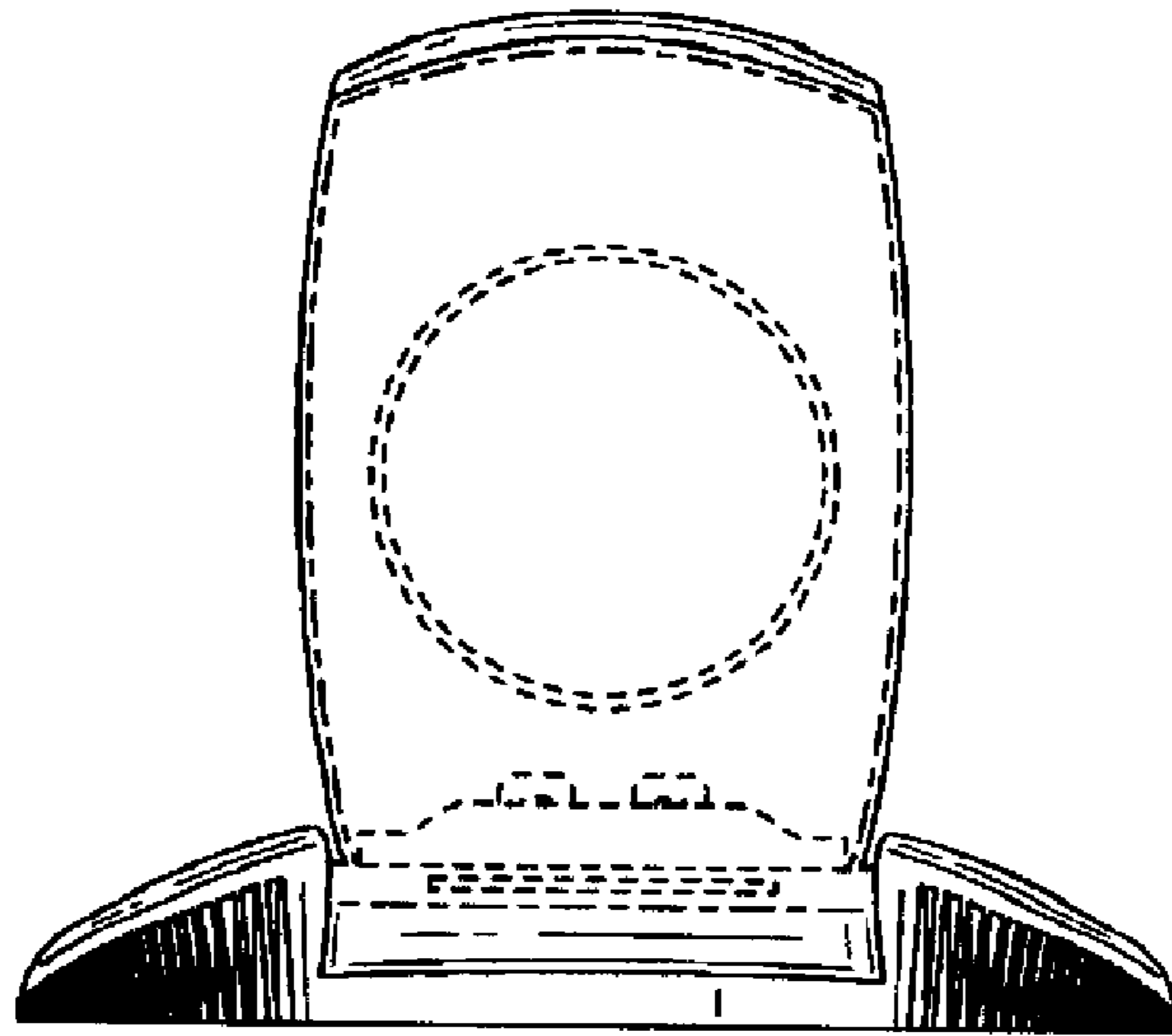


FIG. 11

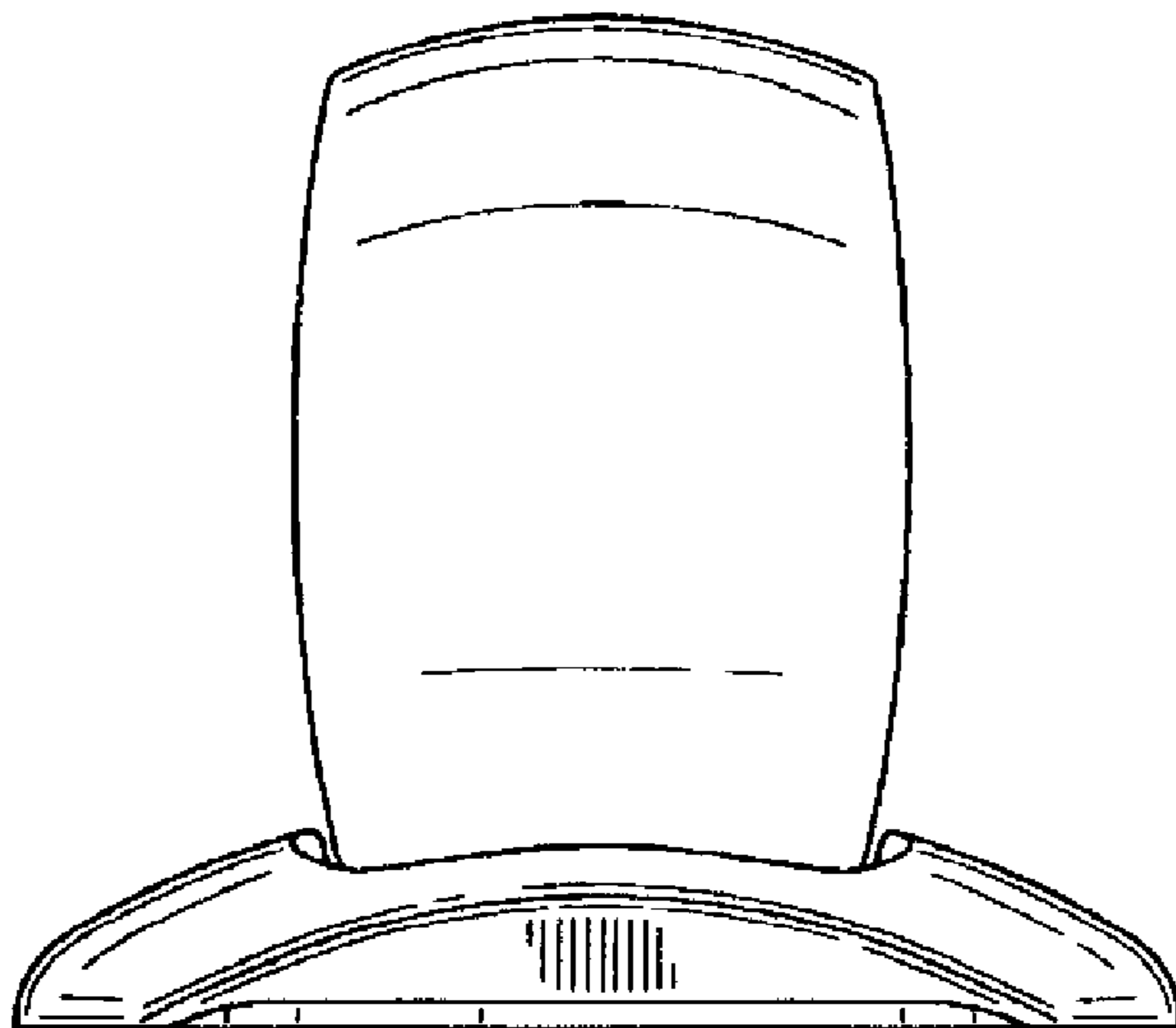


FIG. 12