



US00D629298S

(12) **United States Design Patent**
Wong

(10) **Patent No.:** **US D629,298 S**
(45) **Date of Patent:** **** Dec. 21, 2010**

(54) **CUP LID WITH ELEVATED DRINK OPENING**

(75) Inventor: **Joseph Chuek Mau Wong**, Daly City, CA (US)

(73) Assignee: **Double Team Inc.**, San Francisco, CA (US)

(**) Term: **14 Years**

(21) Appl. No.: **29/351,916**

(22) Filed: **Dec. 14, 2009**

(51) **LOC (9) Cl.** **09-07**

(52) **U.S. Cl.** **D9/447; D9/454**

(58) **Field of Classification Search** D9/780,
D9/778, 772, 763, 756, 556, 529, 518, 504,
D9/503, 454, 450, 449, 447, 440, 438, 435,
D9/434, 428, 425, 424; D7/584, 392.1; 229/123.1;
222/556; 220/906, 806, 716, 713, 711, 359.3,
220/359.1, 258, 273, 265, 259.2–259.4, 258.2,
220/257.1, 254.4; 215/256, 249, 232, 216;
206/530

See application file for complete search history.

(56) **References Cited**

U.S. PATENT DOCUMENTS

3,417,897 A * 12/1968 Johnson 220/254.3
D287,919 S 1/1987 Clements
5,798,079 A 8/1998 Freek et al.

D417,845 S 12/1999 Sadlier et al.
5,996,837 A 12/1999 Freek et al.
D485,758 S * 1/2004 Clarke et al. D9/447
D537,717 S * 3/2007 Notarianni D9/449
D591,151 S * 4/2009 Freeman D9/447
D591,595 S * 5/2009 Tedford, Jr. D9/447
2006/0071008 A1* 4/2006 Sadlier 220/713

* cited by examiner

Primary Examiner—Susan Bennett Hattan

(74) *Attorney, Agent, or Firm*—Pinnacle Patent Law Group

(57) **CLAIM**

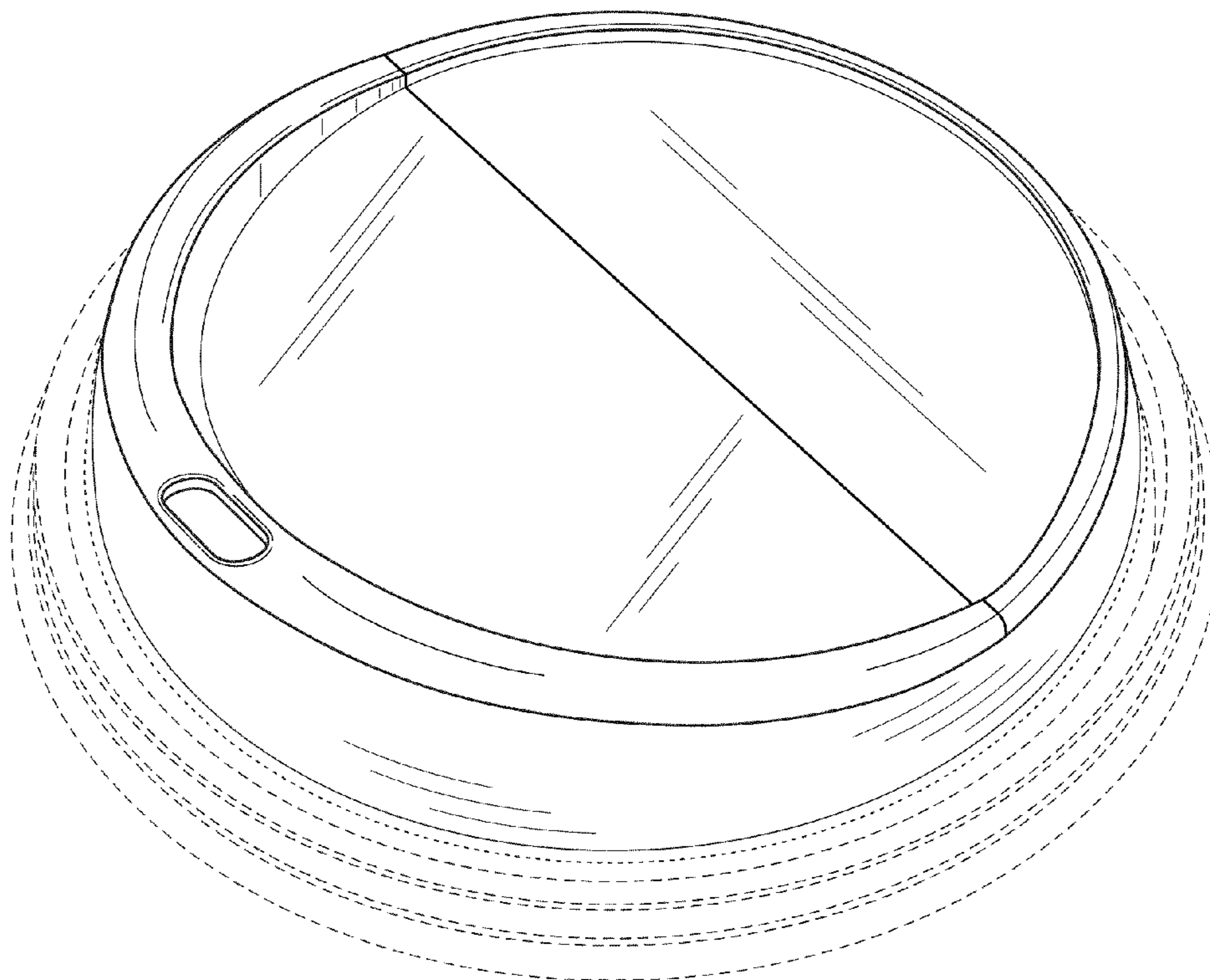
The ornamental design for a cup with an elevated drink opening, substantially as shown and described.

DESCRIPTION

FIG. 1 is a top perspective view of the cup lid of this invention;
FIG. 2 is a top view of the cup lid of FIG. 1;
FIG. 3 is a bottom perspective view of the cup lid of FIG. 1;
FIG. 4 is a front view of the cup lid of FIG. 1;
FIG. 5 is a side view of the cup lid of FIG. 1, the opposite side view being a mirror image of that shown;
FIG. 6 is a rear view of the cup lid of FIG. 1; and,
FIG. 7 is a bottom view of the cup lid of FIG. 1.

The portions shown in broken lines are included to show environment and form no part of the claimed design.

1 Claim, 5 Drawing Sheets



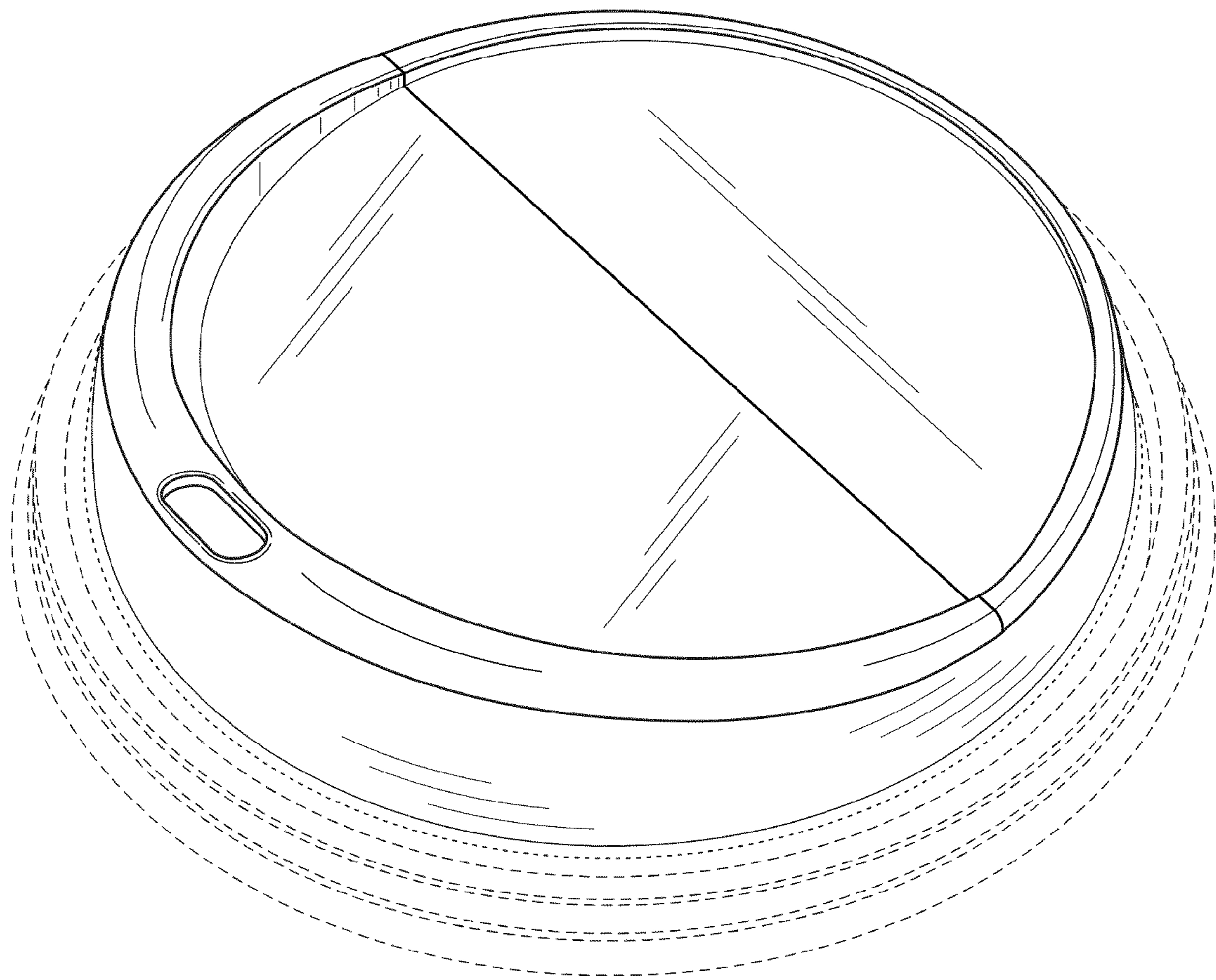


FIG. 1

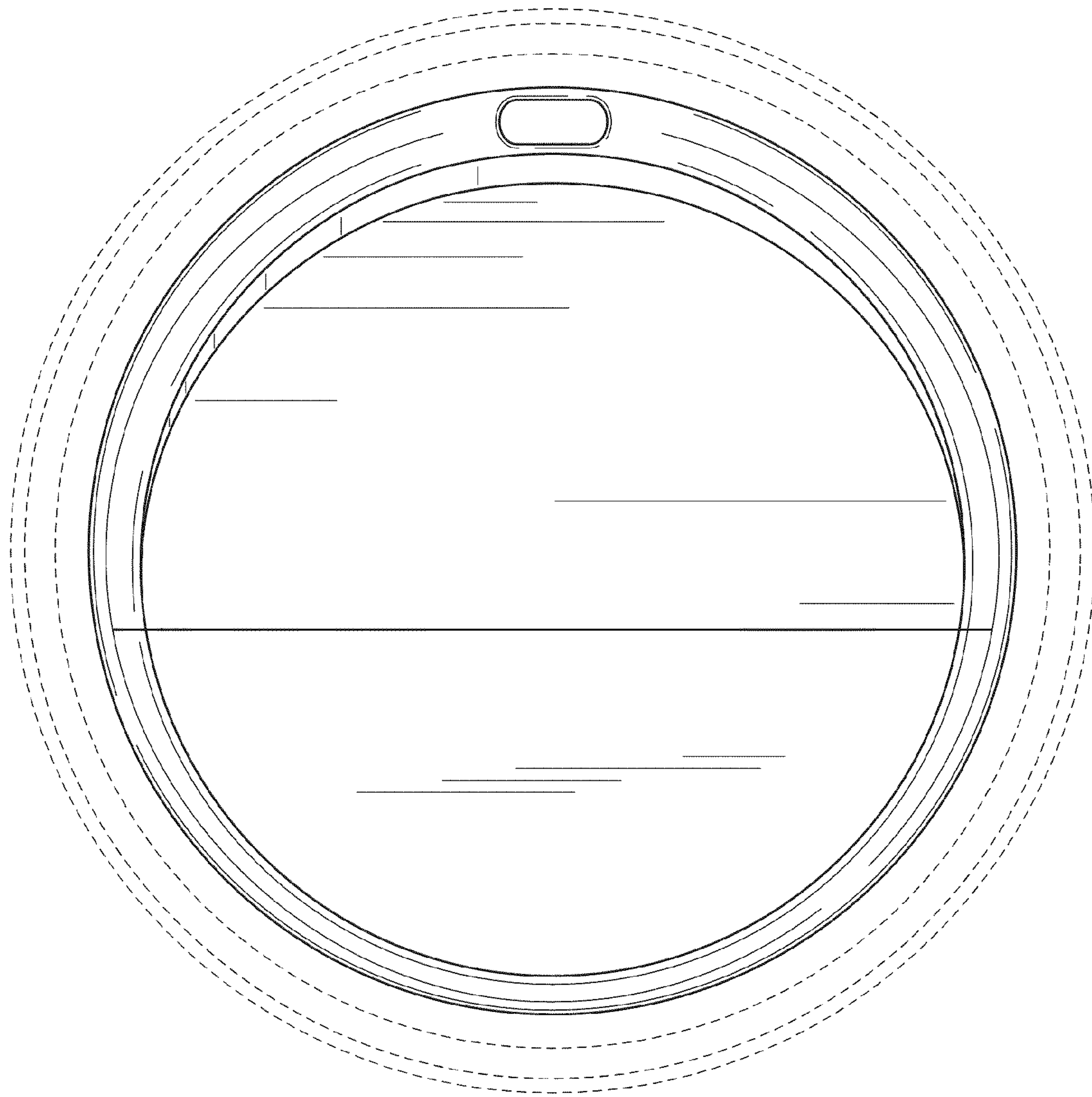


FIG. 2

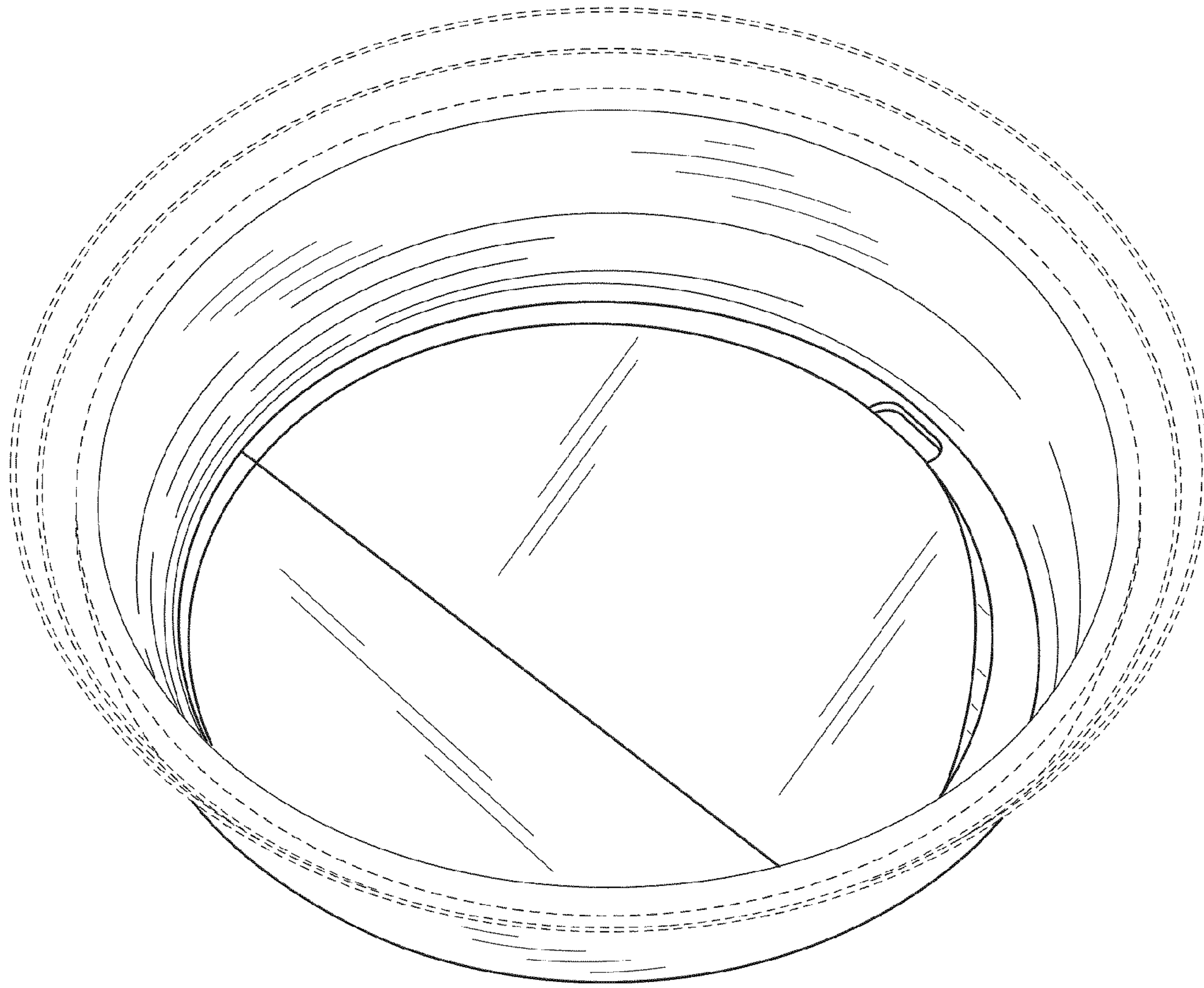


FIG. 3

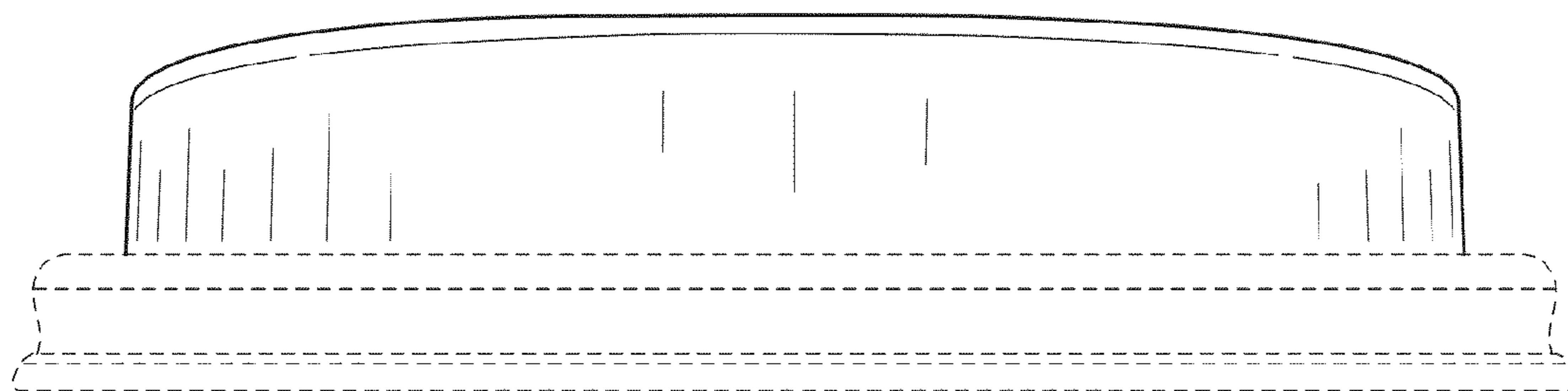


FIG. 4

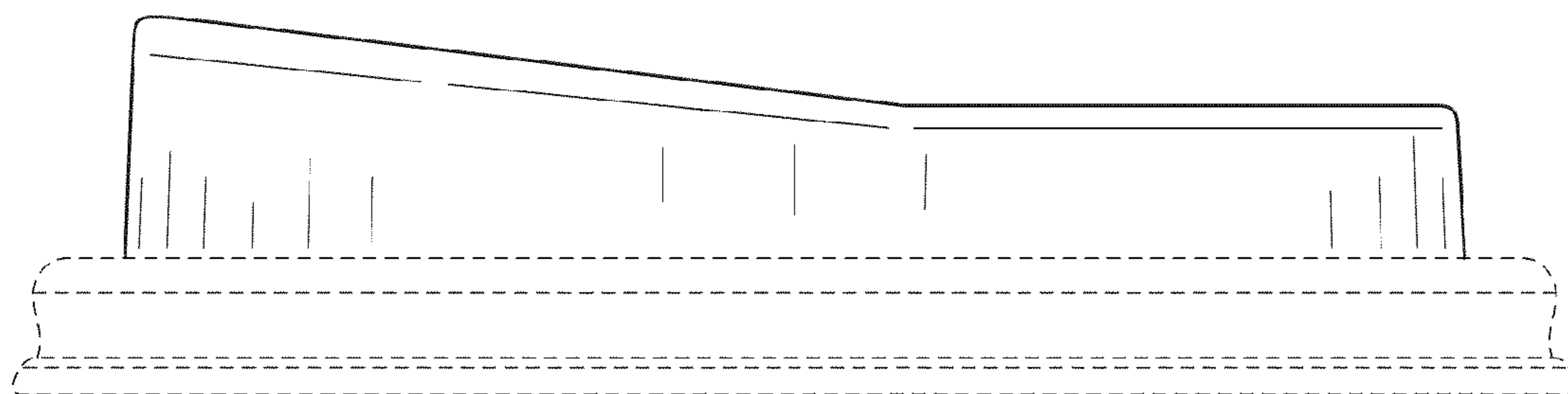


FIG. 5

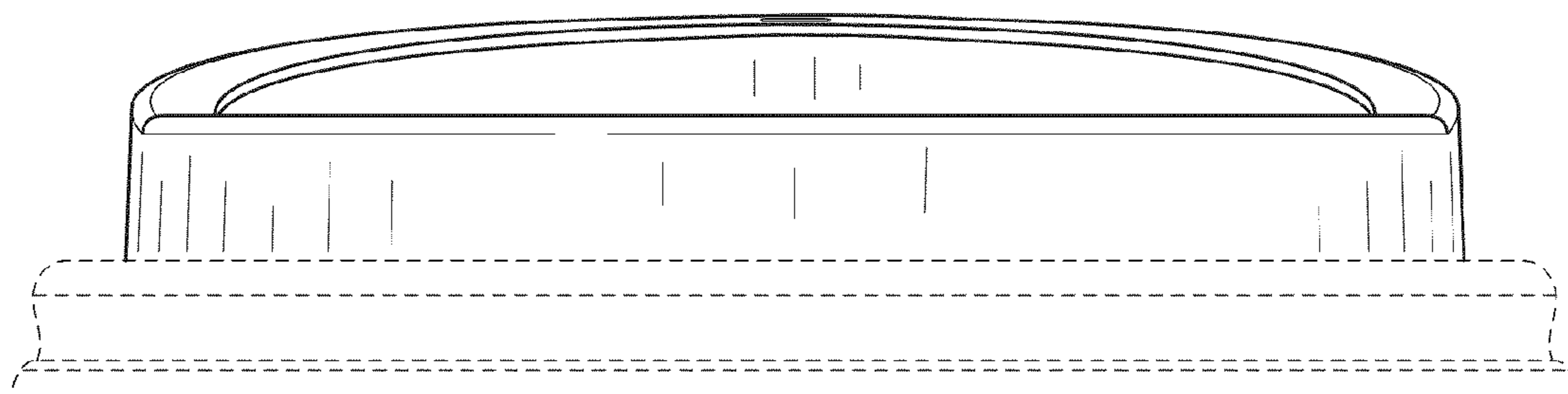


FIG. 6

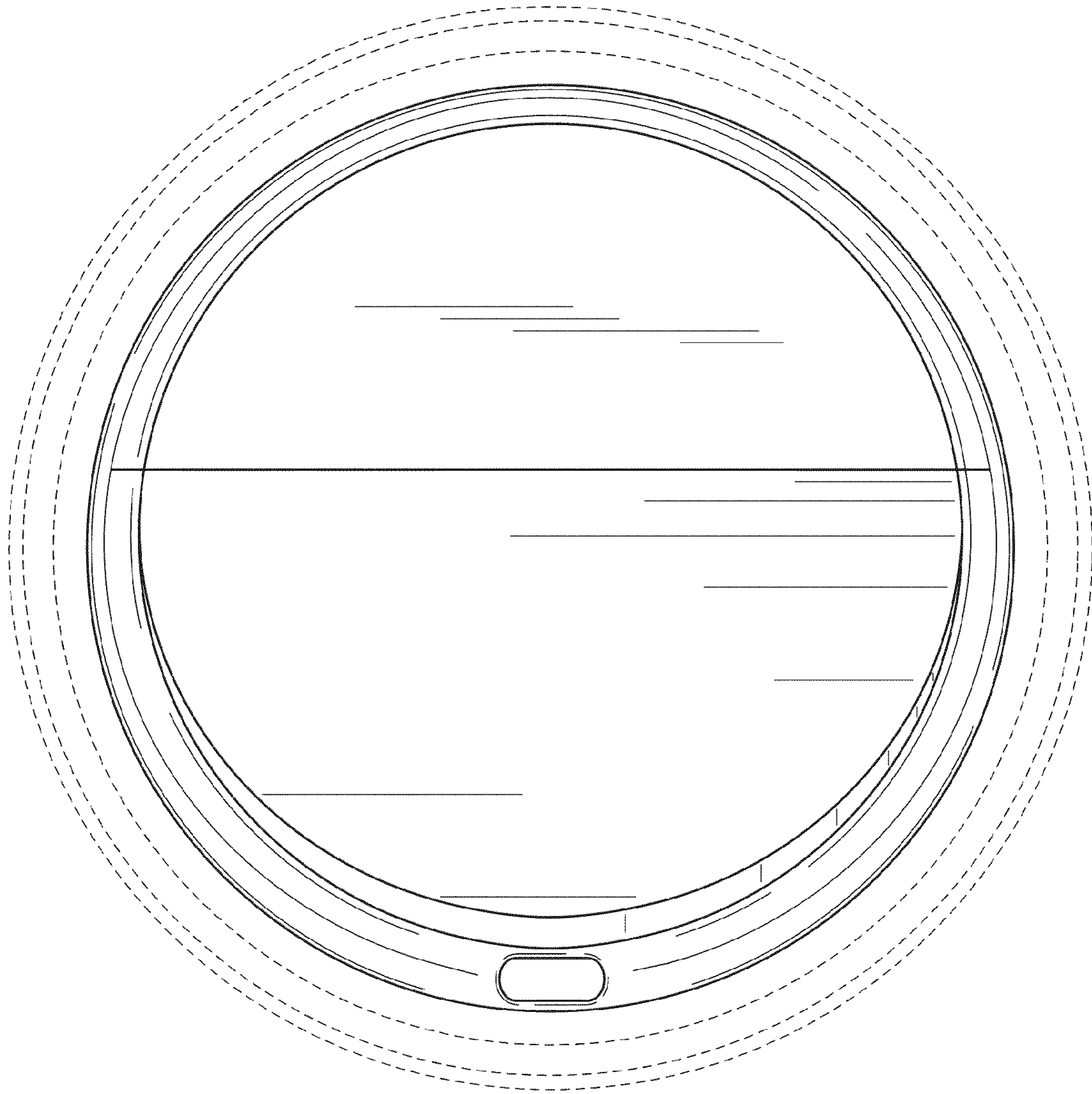


FIG. 7