



US00D629296S

(12) **United States Design Patent**  
**De Muynck**

(10) **Patent No.:** **US D629,296 S**

(45) **Date of Patent:** **\*\* Dec. 21, 2010**

(54) **PACKAGING CARTON**

(75) Inventor: **Marc De Muynck**, Boncourt (CH)

(73) Assignee: **British American Tobacco Switzerland SA**, Boncourt (CH)

(\*\*) Term: **14 Years**

(21) Appl. No.: **29/339,140**

(22) Filed: **Jun. 24, 2009**

(51) **LOC (9) Cl.** ..... **09-03**

(52) **U.S. Cl.** ..... **D9/433; D9/423**

(58) **Field of Classification Search** ..... D9/600,  
D9/667, 715, 737, 414, 420-423, 430-433;  
D19/92; 206/215, 457, 485, 822; 220/890;  
229/116.1-116.3

See application file for complete search history.

(56) **References Cited**

**U.S. PATENT DOCUMENTS**

2,330,927	A *	10/1943	Rous et al.	.....	206/45.29
4,738,365	A *	4/1988	Prater	.....	229/123.3
D320,556	S *	10/1991	Fairhurst	.....	D9/414
D381,901	S *	8/1997	Alig et al.	.....	D9/414
D438,101	S *	2/2001	Koster	.....	D9/721
D511,681	S *	11/2005	Cogley et al.	.....	D9/416
D601,419	S *	10/2009	Sant' Ana Caceres et al.	.....	D9/433
D606,855	S *	12/2009	Jo et al.	.....	D9/423
D617,636	S *	6/2010	Vanhoutte	.....	D9/431
2004/0163994	A1 *	8/2004	Gardner et al.	.....	206/736

2009/0301903 A1\* 12/2009 Andersson et al. .... 206/215

\* cited by examiner

*Primary Examiner*—Daniel D Bui

*Assistant Examiner*—Thomas J Johannes

(74) *Attorney, Agent, or Firm*—Chadbourne & Parke LLP;  
Walter G. Hanchuk

(57) **CLAIM**

The ornamental design for a packaging carton, as shown and described.

**DESCRIPTION**

FIG. 1 is an above front left perspective view showing my new design of a packaging carton in a closed position;

FIG. 2 is a front elevation view thereof;

FIG. 3 is a top plan view thereof;

FIG. 4 is a bottom plan view thereof;

FIG. 5 is a left side elevation view thereof, the right side being a mirror image;

FIG. 6 is a rear elevation view thereof;

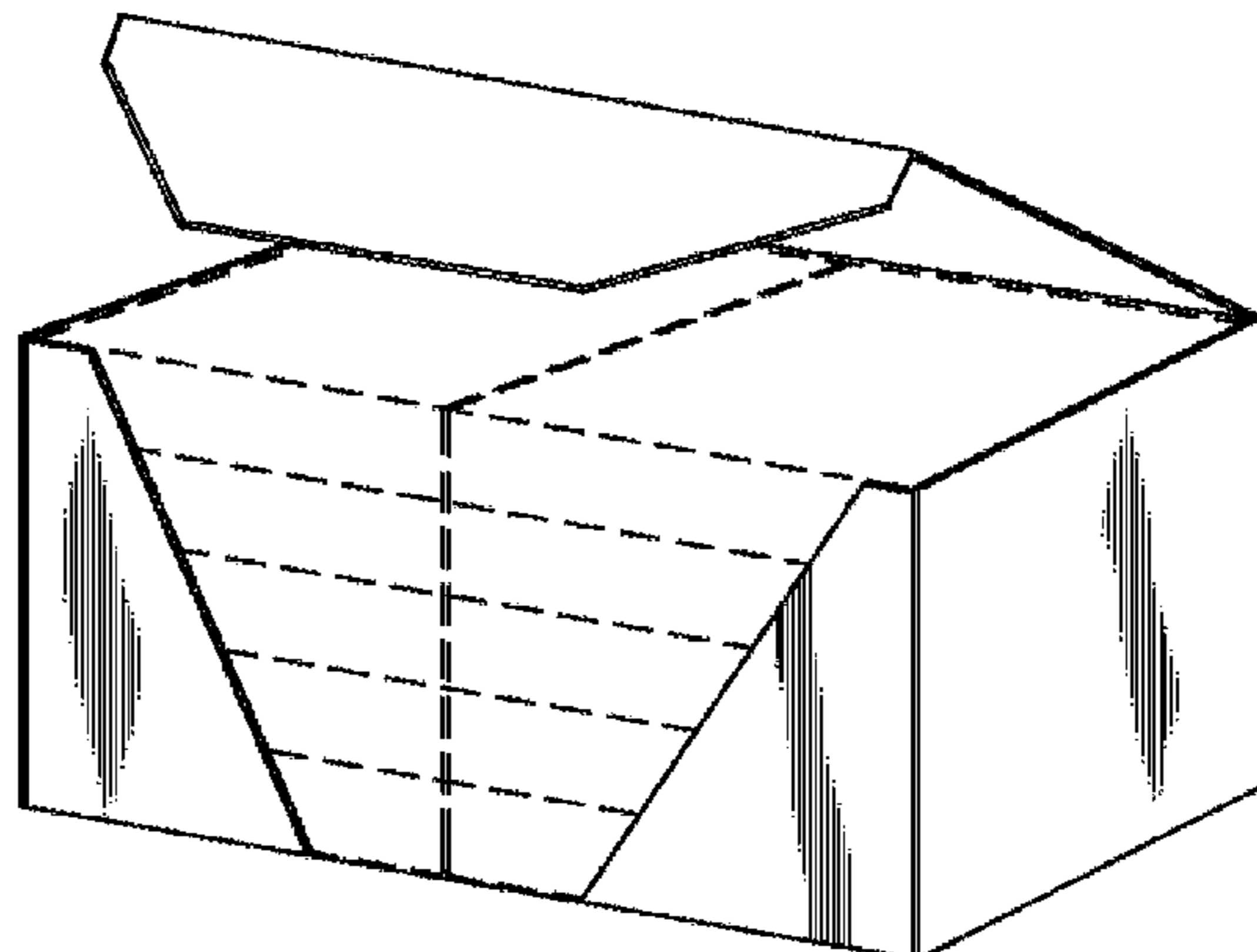
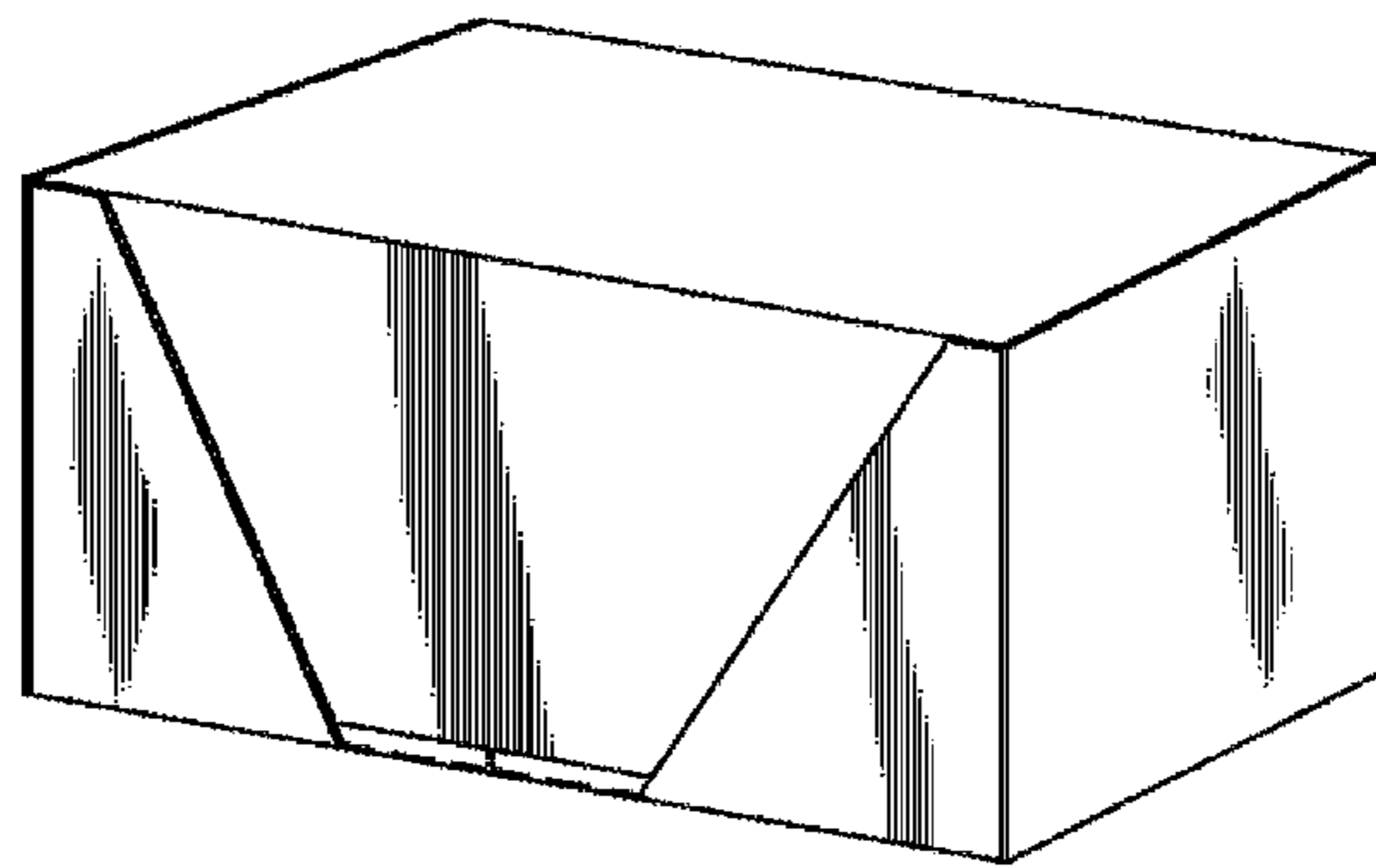
FIG. 7 is a front view showing the new design of a packaging carton in an open position;

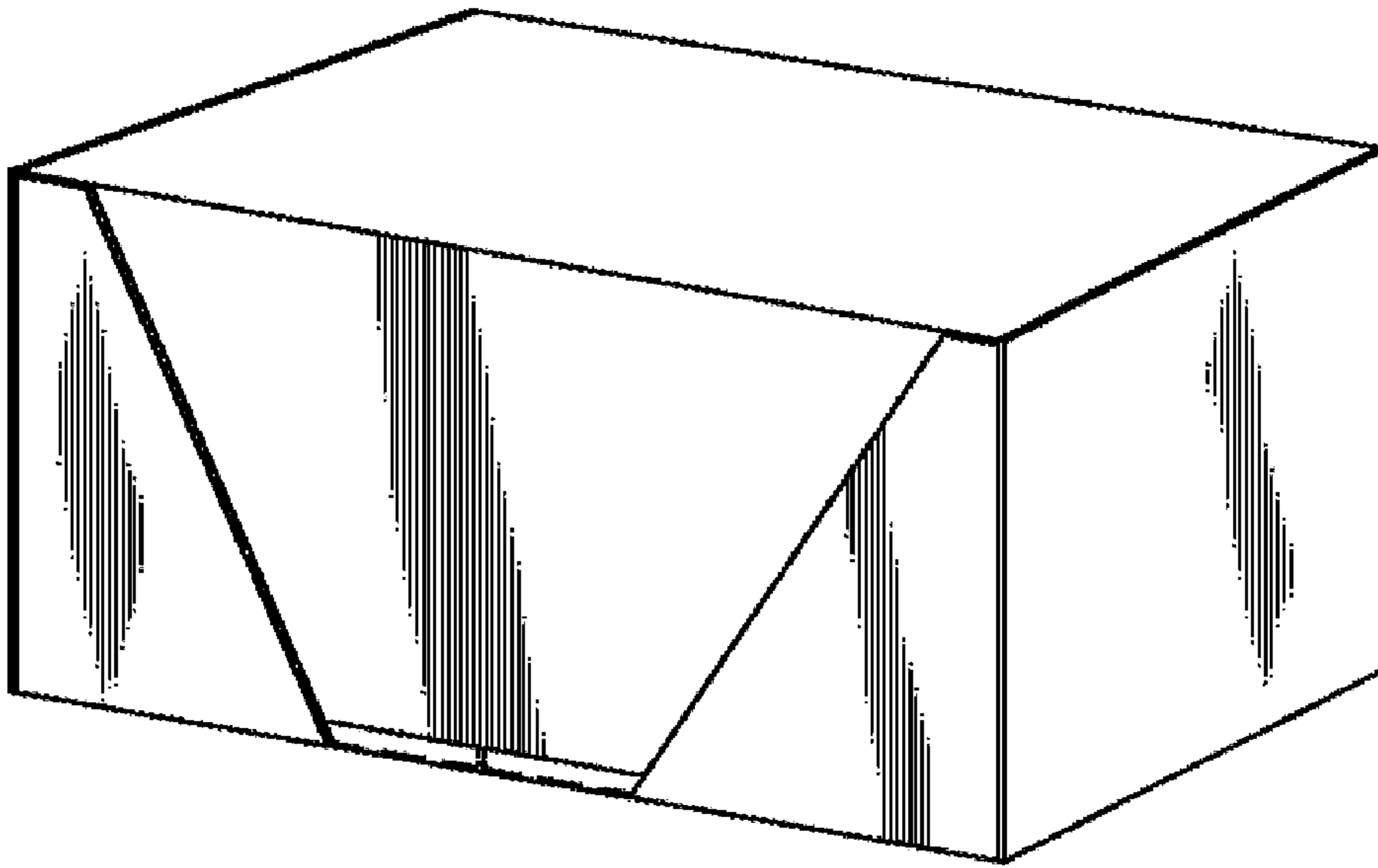
FIG. 8 is an above front left perspective view thereof; and,

FIG. 9 is a blank plan view showing the new design of a packaging carton.

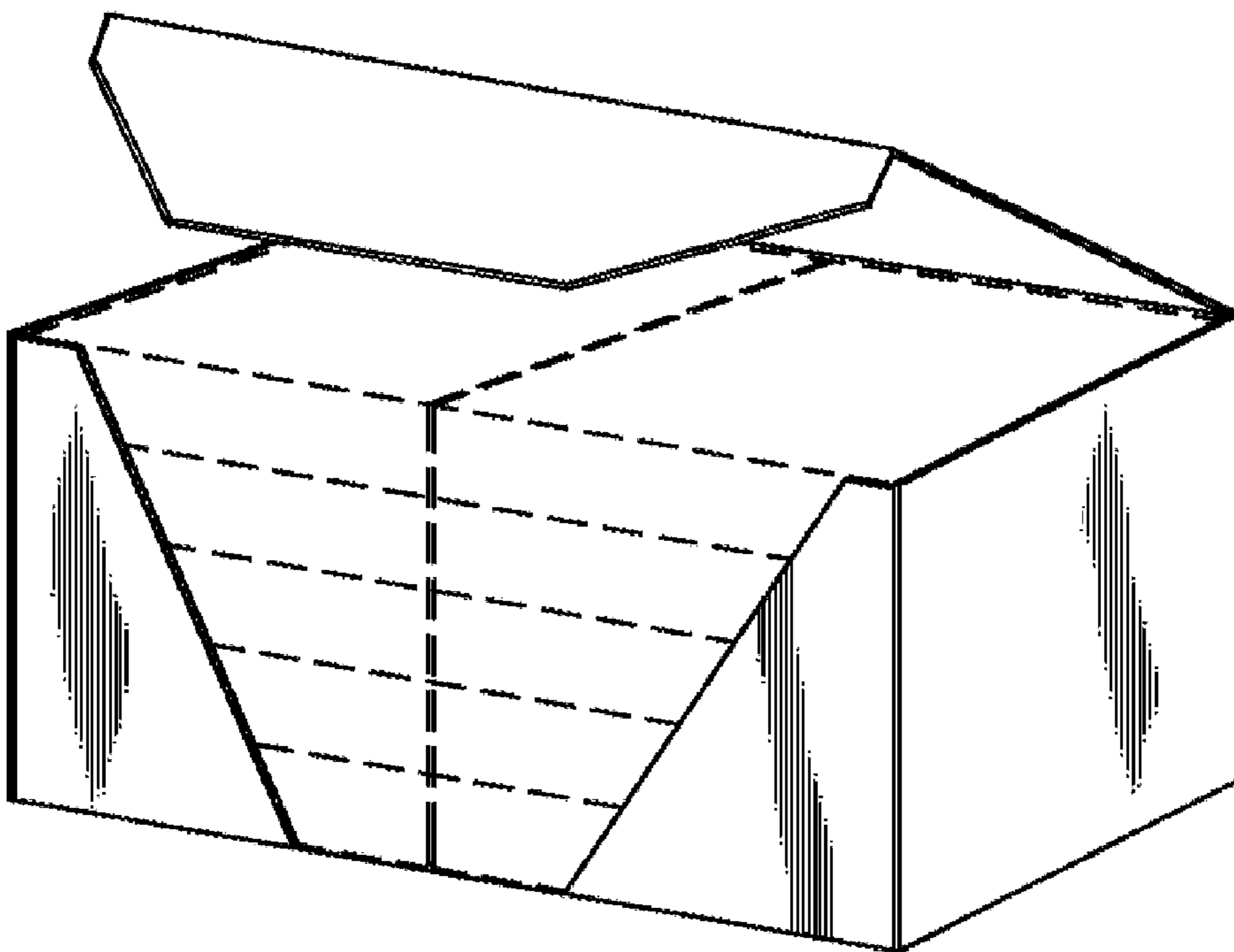
The broken lines in FIGS. 1, 2, 7, and 8 show unclaimed subject matter only and form no part of the claimed design.

**1 Claim, 4 Drawing Sheets**





**FIG. 1**



**FIG. 8**

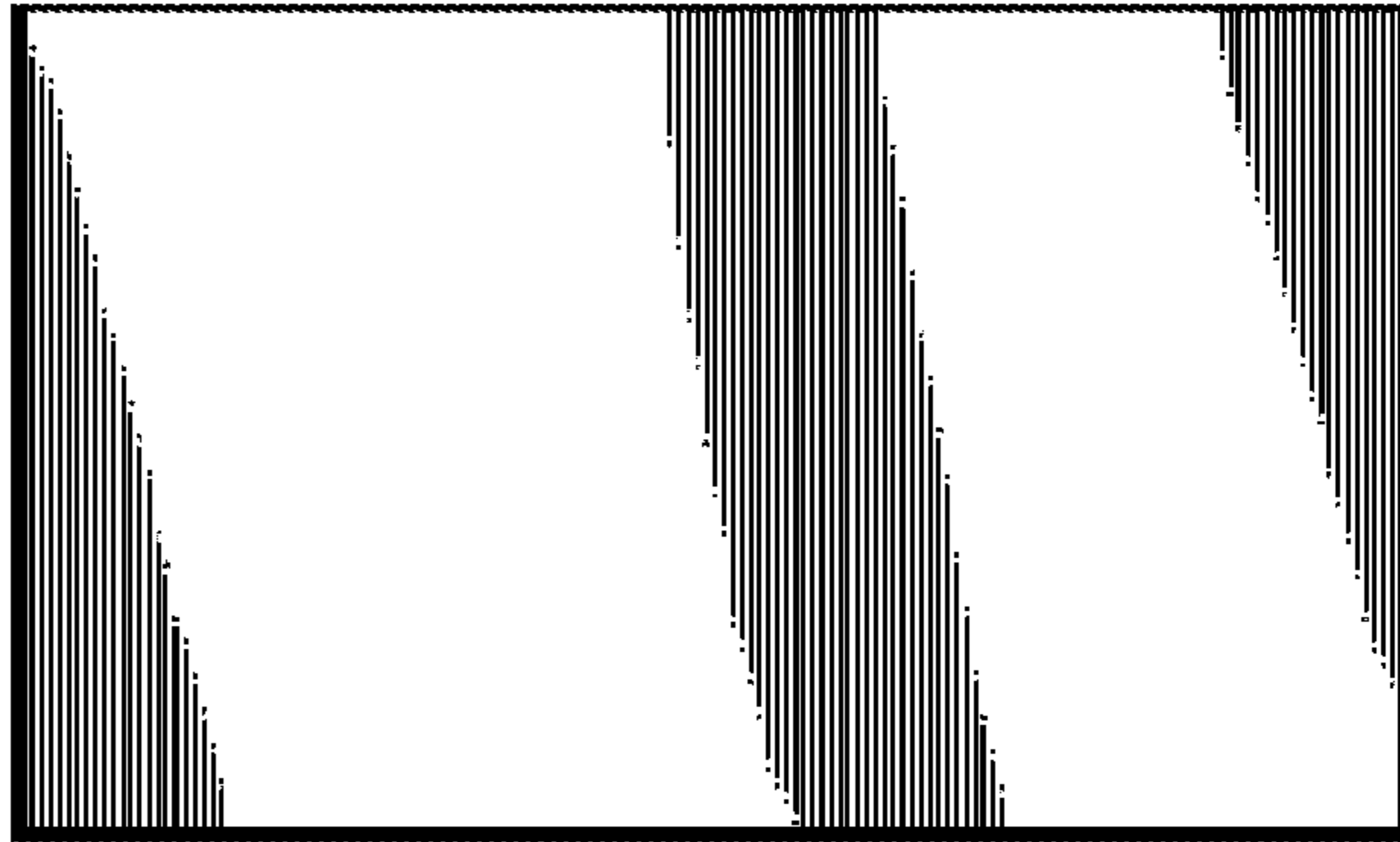


FIG. 3

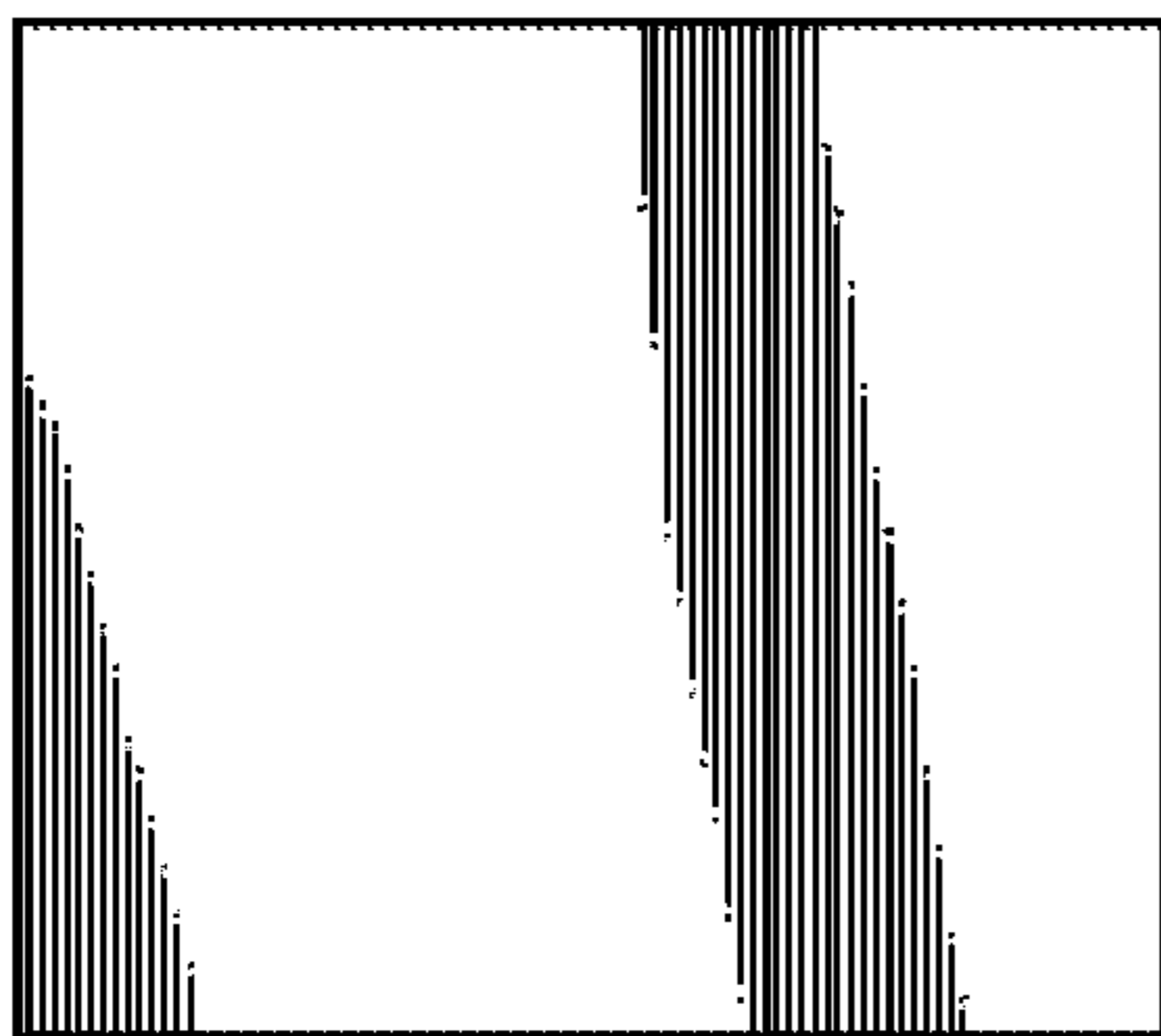


FIG. 5

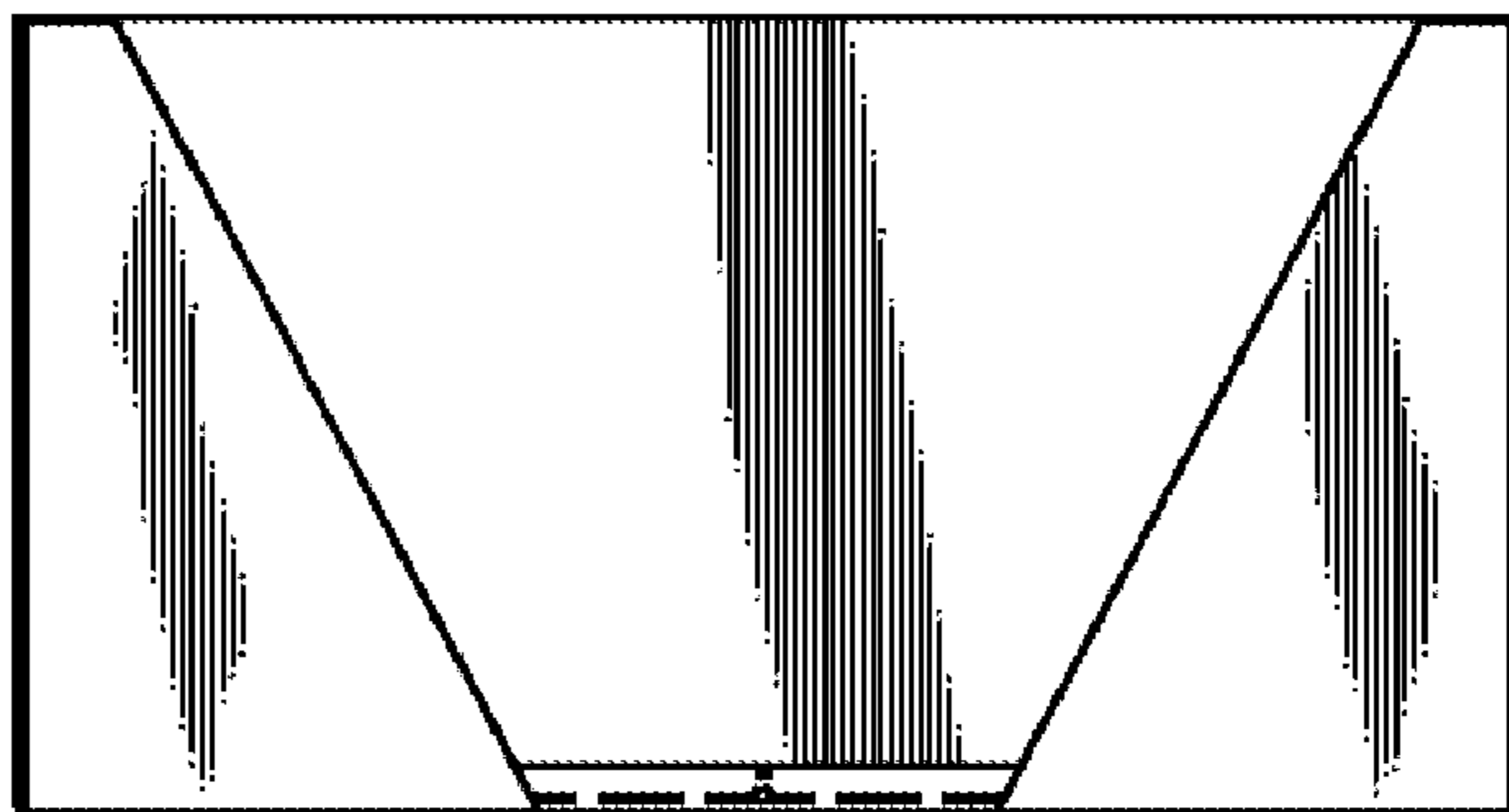


FIG. 2

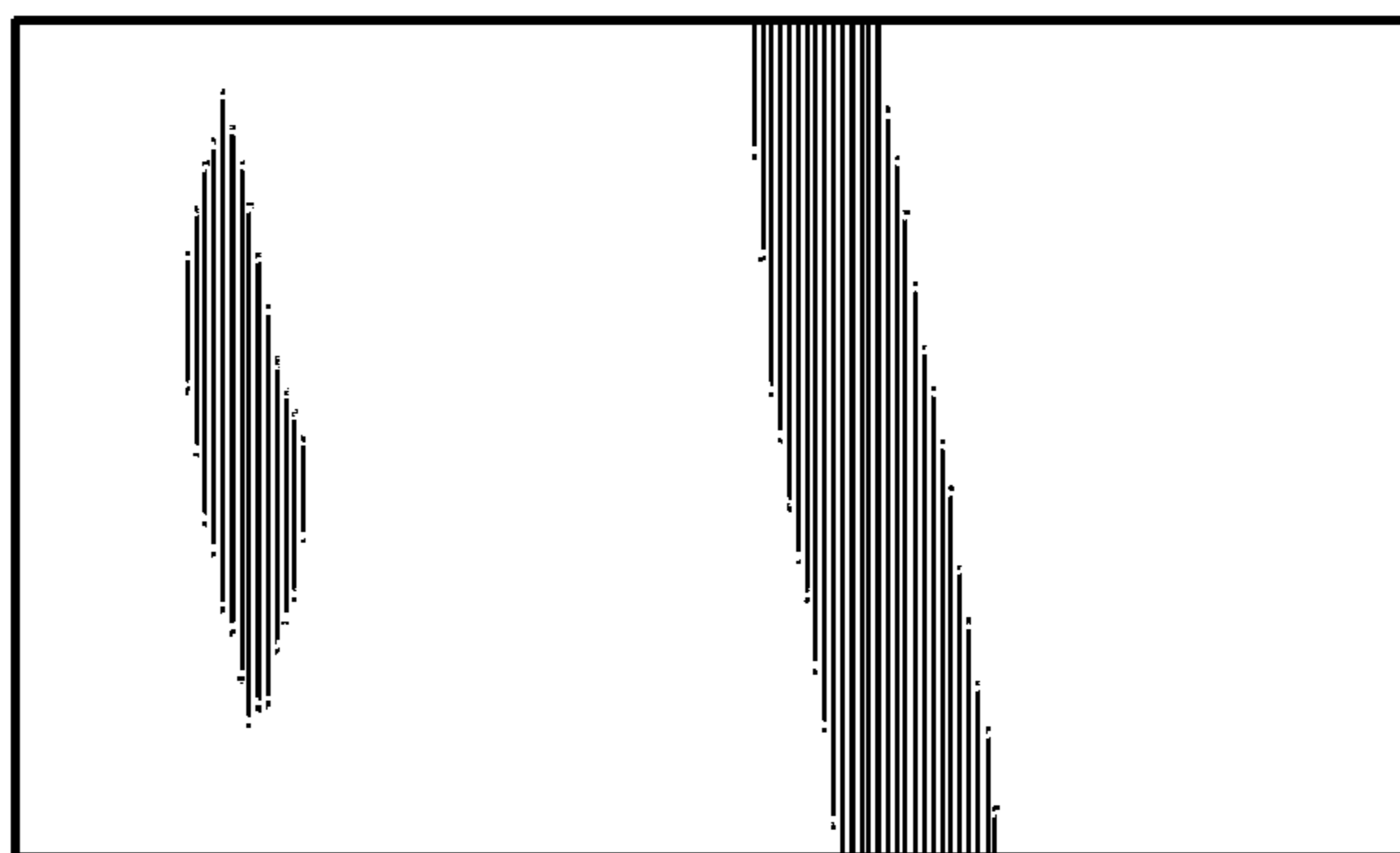


FIG. 4

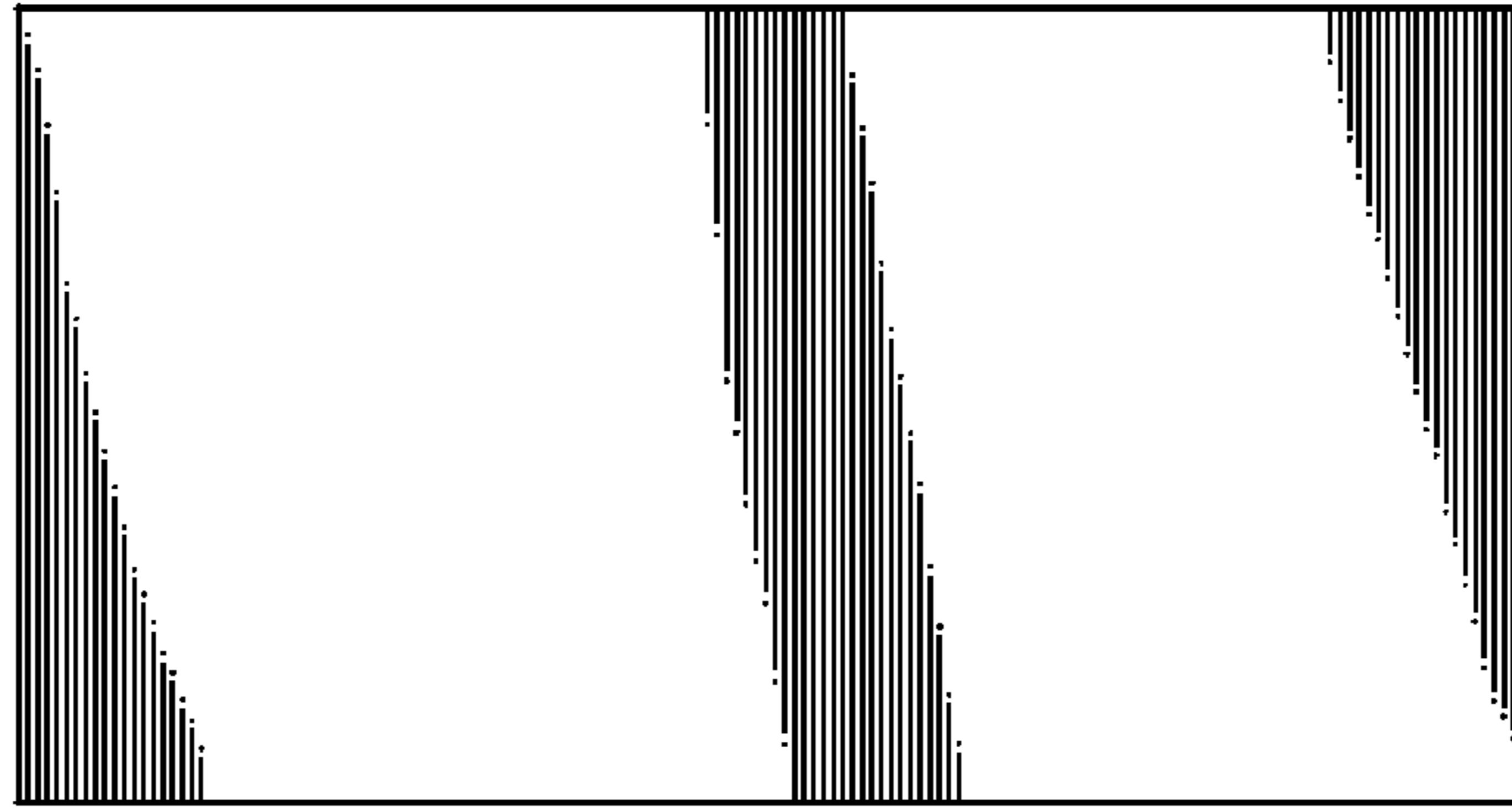


FIG. 6

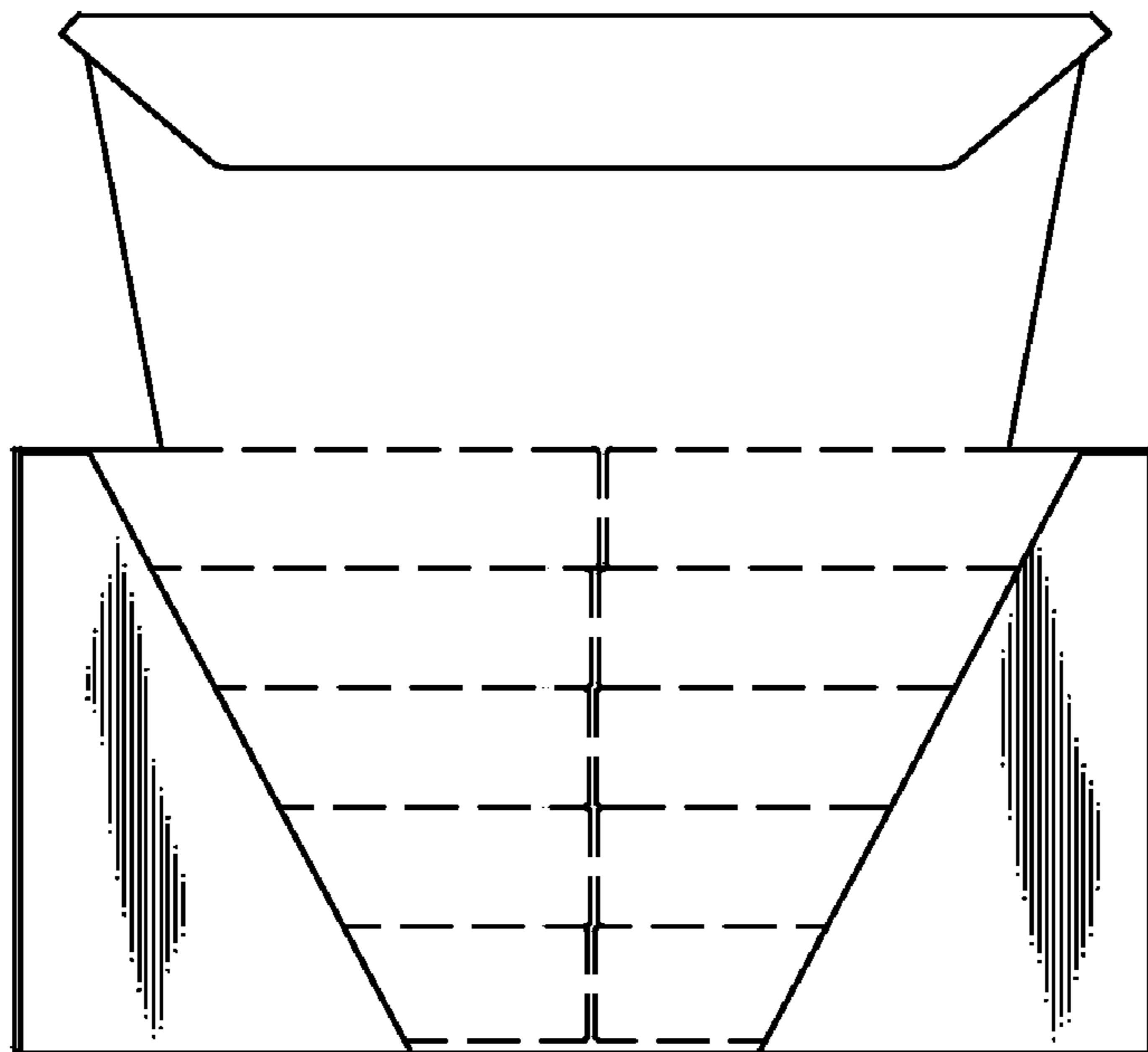
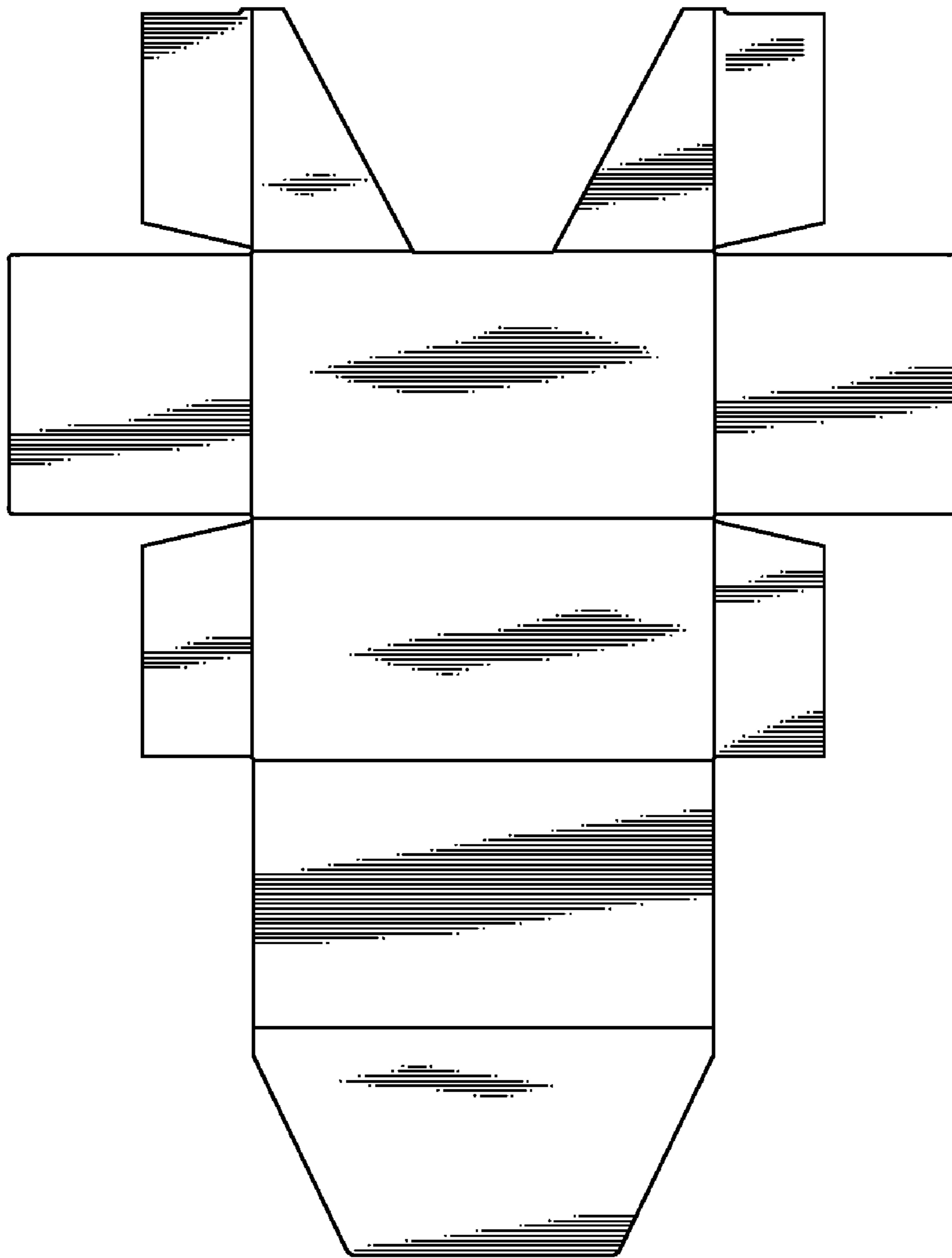


FIG. 7



**FIG. 9**