



US00D629293S

(12) **United States Design Patent**
DuFour

(10) **Patent No.:** **US D629,293 S**

(45) **Date of Patent:** **** Dec. 21, 2010**

(54) **PIVOTING SUPPORT APPARATUS**

2004/0123421 A1 7/2004 Buchey
2005/0183234 A1 8/2005 Buchey et al.

(76) Inventor: **John P. DuFour**, 8 Bartelli Rd.,
Lakeville, MA (US) 02347

* cited by examiner

(**) Term: **14 Years**

Primary Examiner—Holly H Baynham

Assistant Examiner—Sheryl Lane

(21) Appl. No.: **29/355,835**

(74) *Attorney, Agent, or Firm*—Crossley Patent Law; Mark A. Crossley

(22) Filed: **Feb. 15, 2010**

(57) **CLAIM**

(51) **LOC (9) Cl.** **08-08**

The ornamental design for a pivoting support apparatus, as shown and described.

(52) **U.S. Cl.** **D8/388**

(58) **Field of Classification Search** D8/382,
D8/349, 356, 363, 373, 380, 1, 388; D25/133,
D25/136, 199; 248/250, 235, 200, 300, 511,
248/514, 515, 521

See application file for complete search history.

DESCRIPTION

FIG. 1 is a front elevation view of a pivoting support apparatus showing my new design, the opposite side being a mirror image of the shown;

(56) **References Cited**

FIG. 2 is a right elevation view thereof, the opposite side being a mirror image of the shown;

U.S. PATENT DOCUMENTS

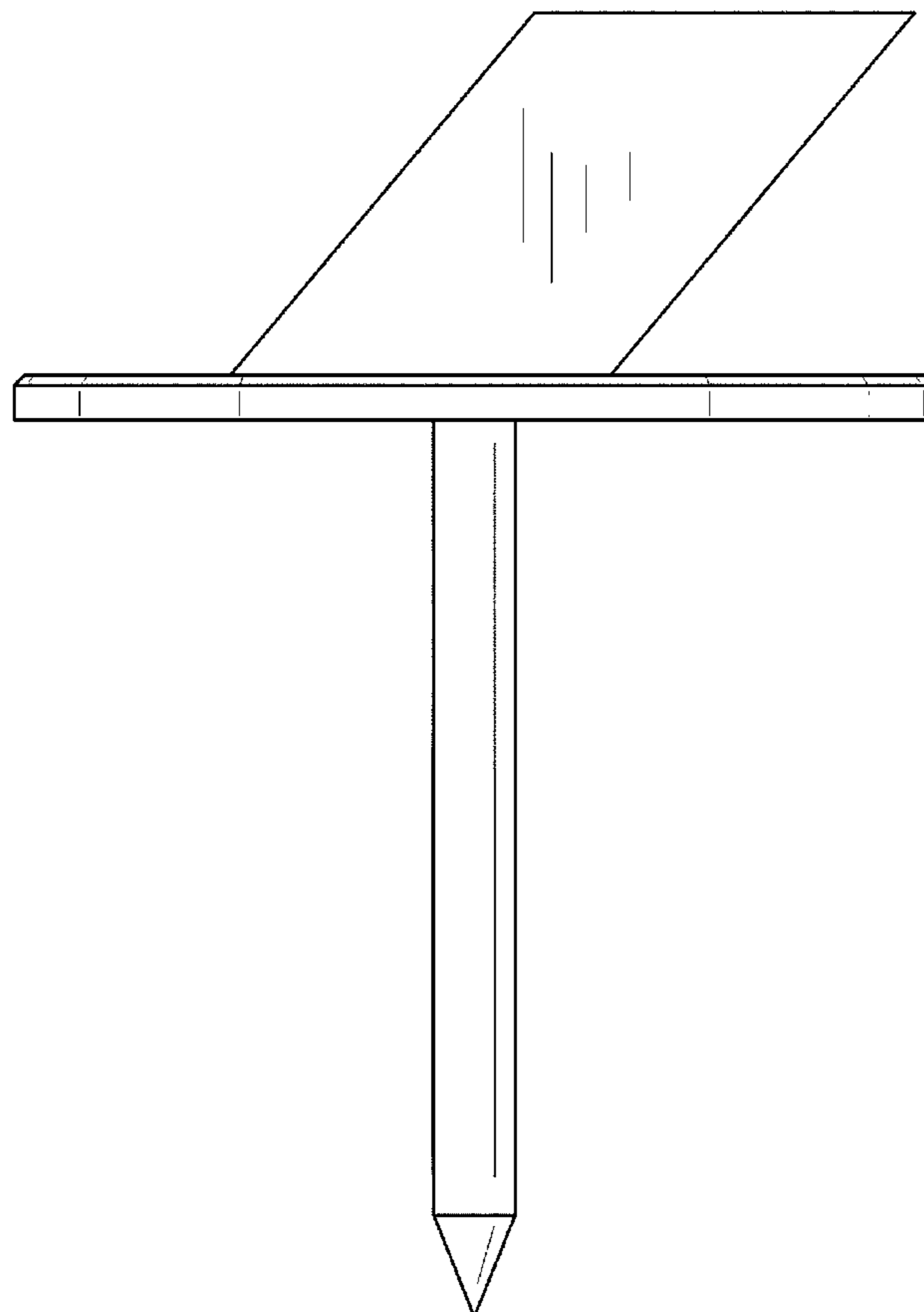
FIG. 3 is a top plan view thereof;

5,042,764 A 8/1991 Carpinella et al.
D409,663 S * 5/1999 Wagner et al. D19/65
D428,058 S * 7/2000 Wagner D19/65
D607,124 S * 12/2009 Charette D25/133
D610,718 S * 2/2010 Ringus et al. D25/133

FIG. 4 is a bottom plan view thereof; and,

FIG. 5 is an in-use perspective view.

1 Claim, 3 Drawing Sheets



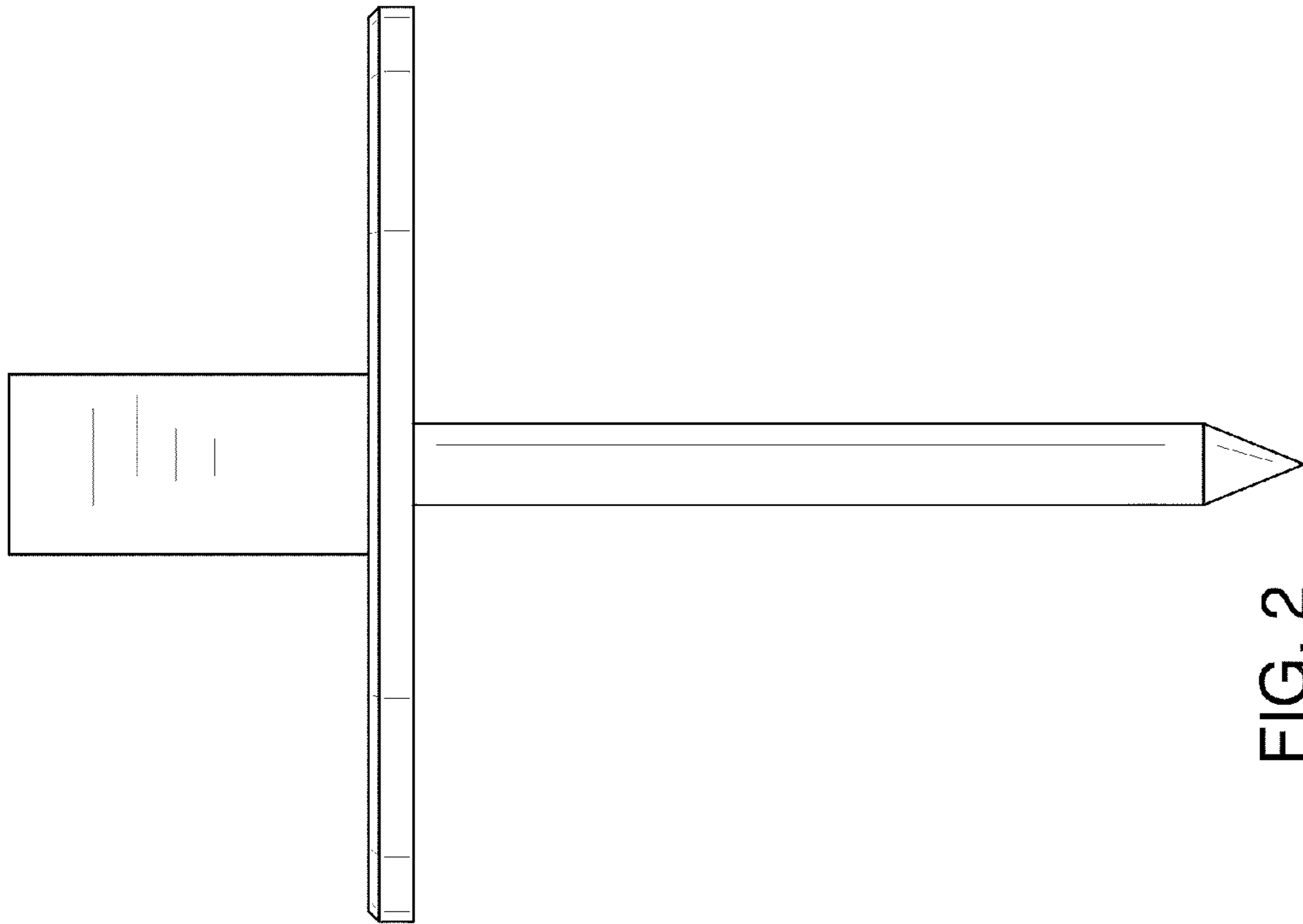


FIG. 2

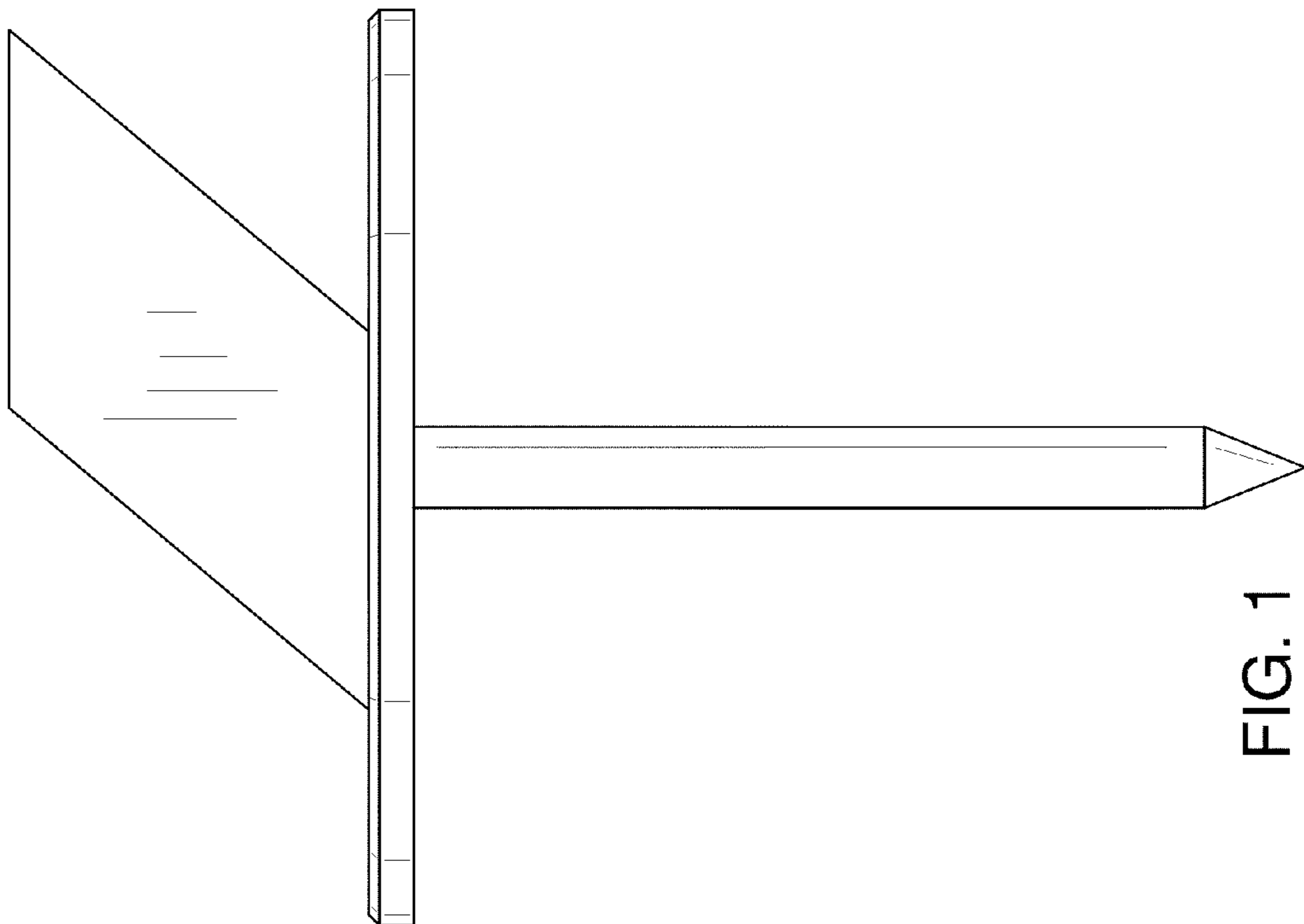


FIG. 1

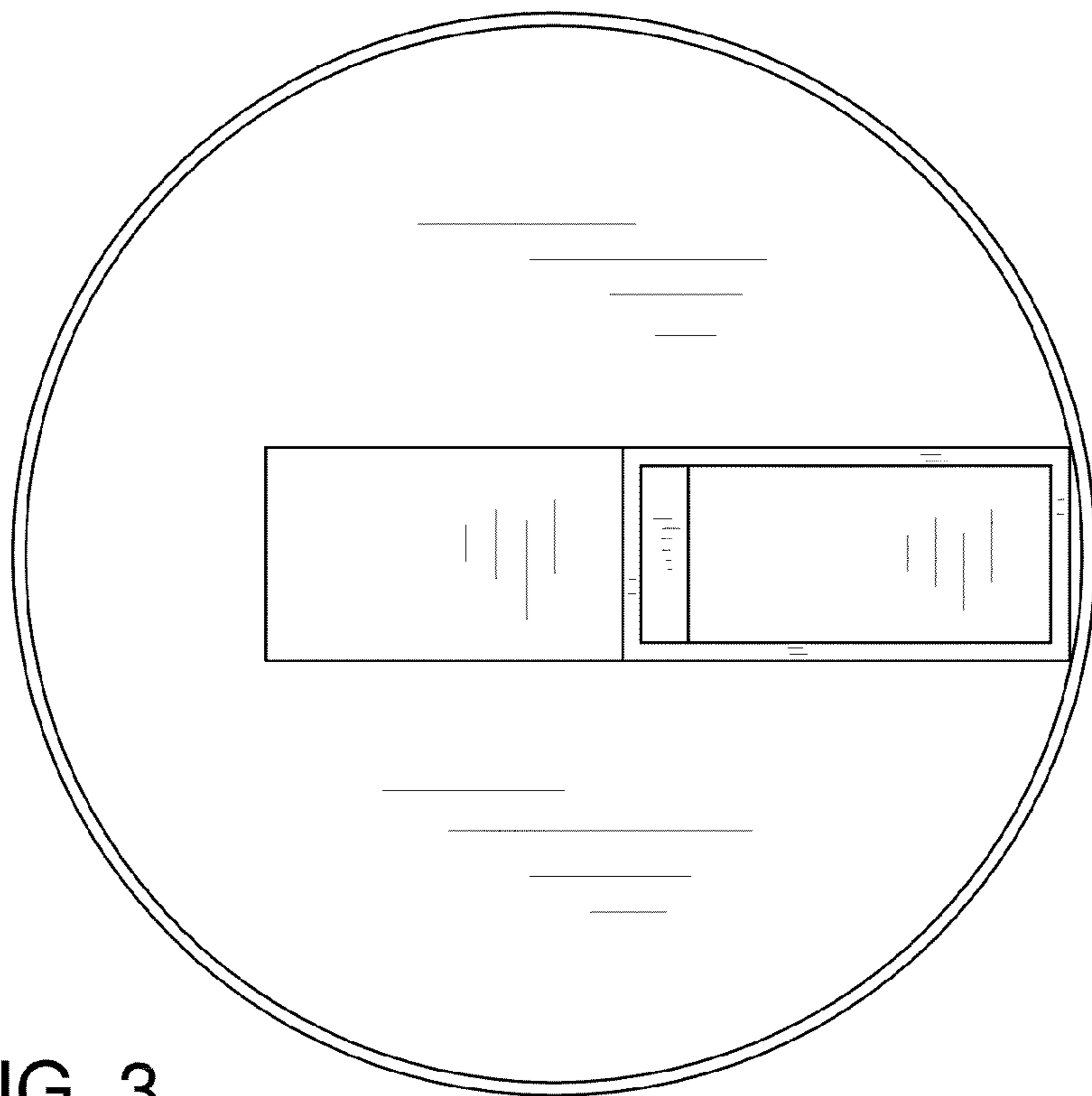


FIG. 3

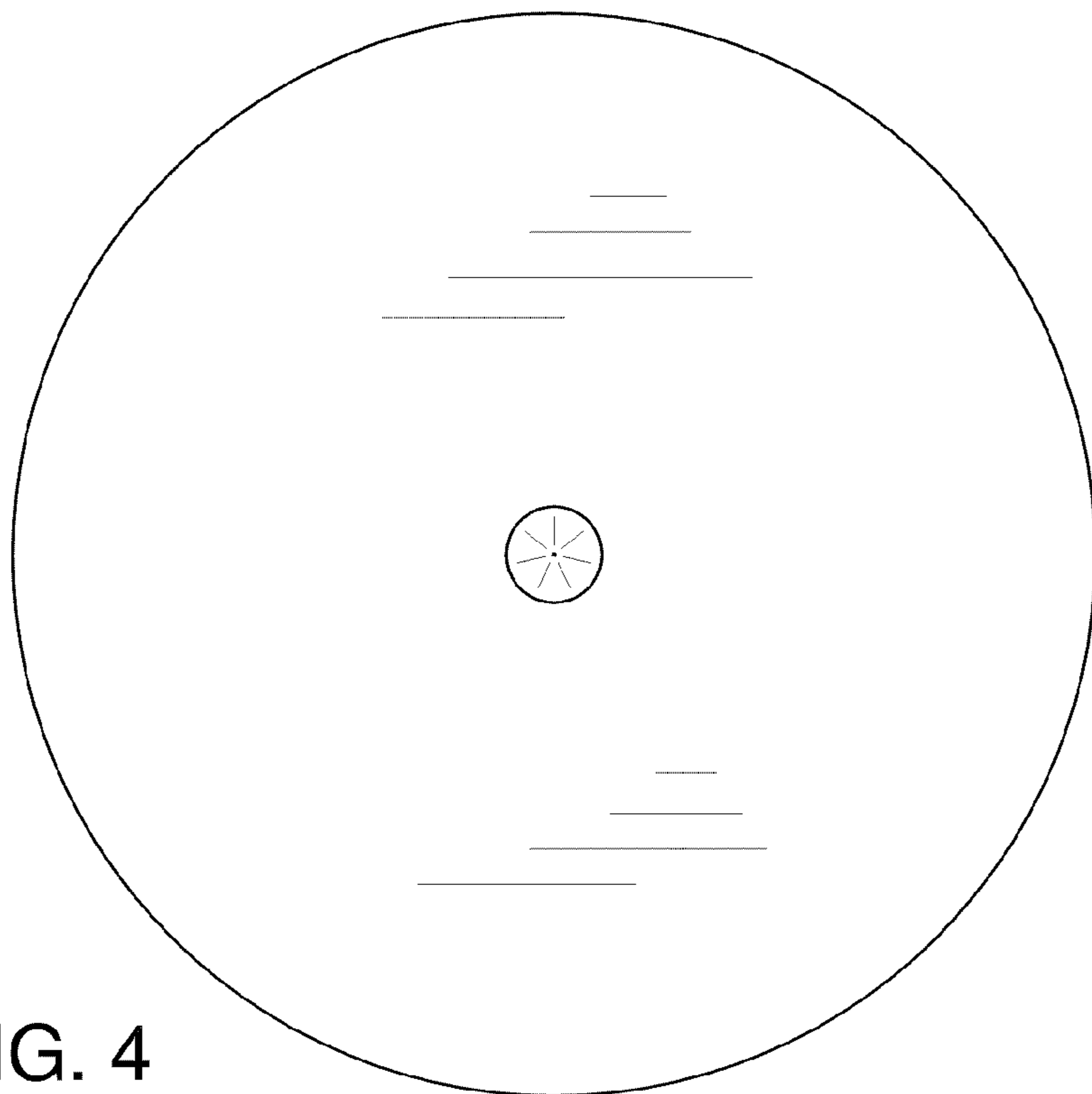


FIG. 4

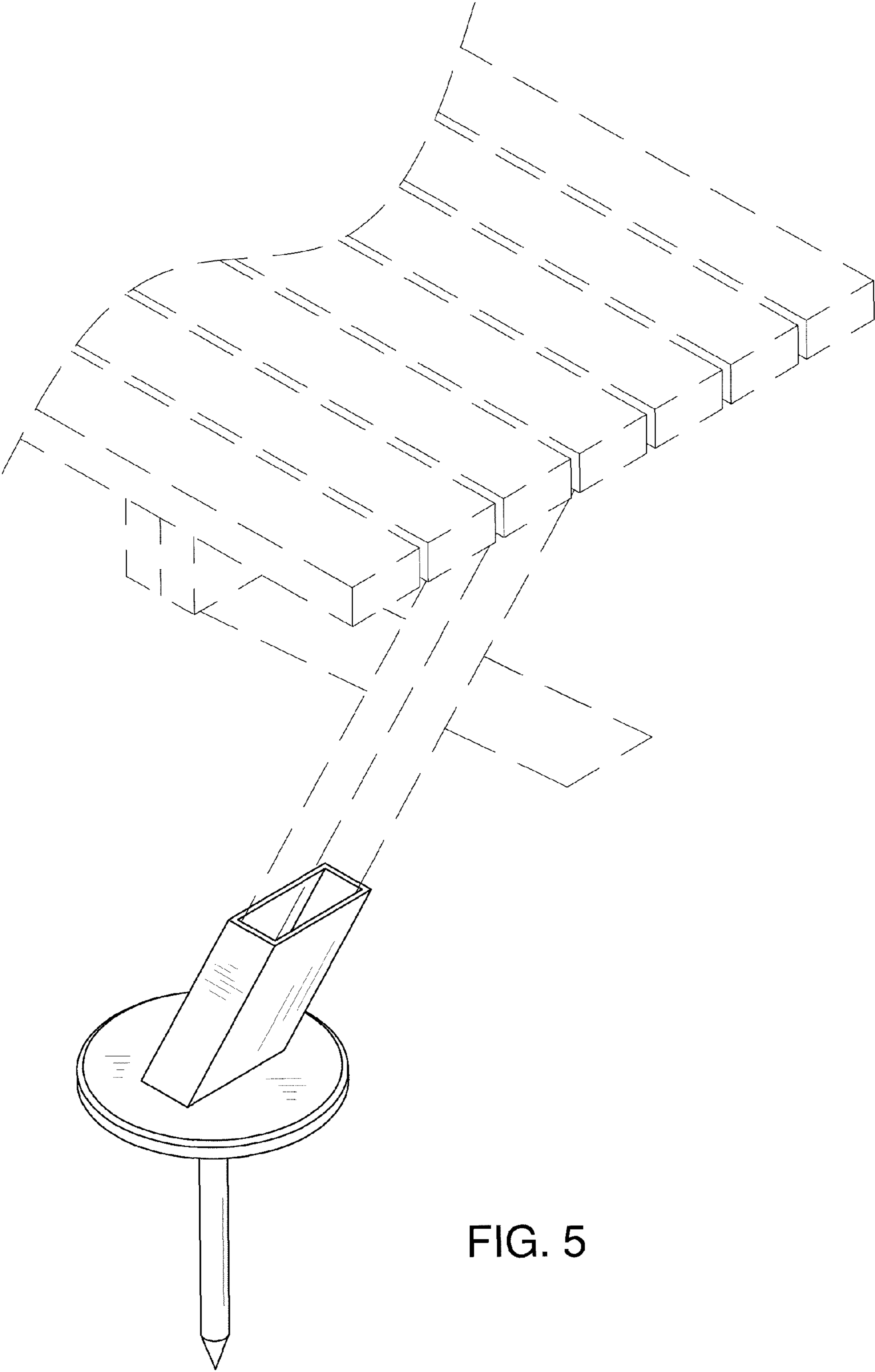


FIG. 5