



US00D629292S

(12) **United States Design Patent**
Gaffney-Jennings et al.

(10) **Patent No.:** **US D629,292 S**

(45) **Date of Patent:** **** Dec. 21, 2010**

(54) **COMPACT, EXPANDABLE, CONTRACTIBLE PORTABLE HANGER**

Primary Examiner—Holly H Baynham

(75) Inventors: **Cynthia Gaffney-Jennings**, Columbia, MD (US); **Bernard L. Jennings**, Columbia, MD (US)

(57) **CLAIM**

I claim the ornamental design for the compact, expandable, contractible portable hanger, as described and shown.

(73) Assignee: **Erikbrand Products-LLC**, Columbia, MD (US)

DESCRIPTION

(**) Term: **14 Years**

FIG. 1 is a front view of the assembled open compact, expandable, contractible portable hanger; the rear view is identical to the front view

(21) Appl. No.: **29/347,437**

FIG. 2 is a perspective view thereof;

(22) Filed: **Jan. 6, 2010**

FIG. 3 is a front, before nesting view thereof;

(51) **LOC (9) Cl.** **08-05**

(52) **U.S. Cl.** **D8/373**

(58) **Field of Classification Search** D8/367, D8/373; 248/301–304, 214–215

FIG. 4 is a front, nesting view thereof;

FIG. 5 is a front view of the larger component thereof; and,

FIG. 6 is a front view of the smaller component thereof.

See application file for complete search history.

The compact, expandable, contractible, portable hanger is designed for hanging garments and items that have straps and handles, onto vertical and horizontal structures such as walls, doors, partitions, panels; table and counter tops.

The elements of the claimed design have been shown separately in FIGS. 5 and 6 for ease of illustration.

(56) **References Cited**

U.S. PATENT DOCUMENTS

D494,050 S * 8/2004 Klein et al. D8/373

D584,939 S * 1/2009 Snell D8/367

* cited by examiner

1 Claim, 4 Drawing Sheets

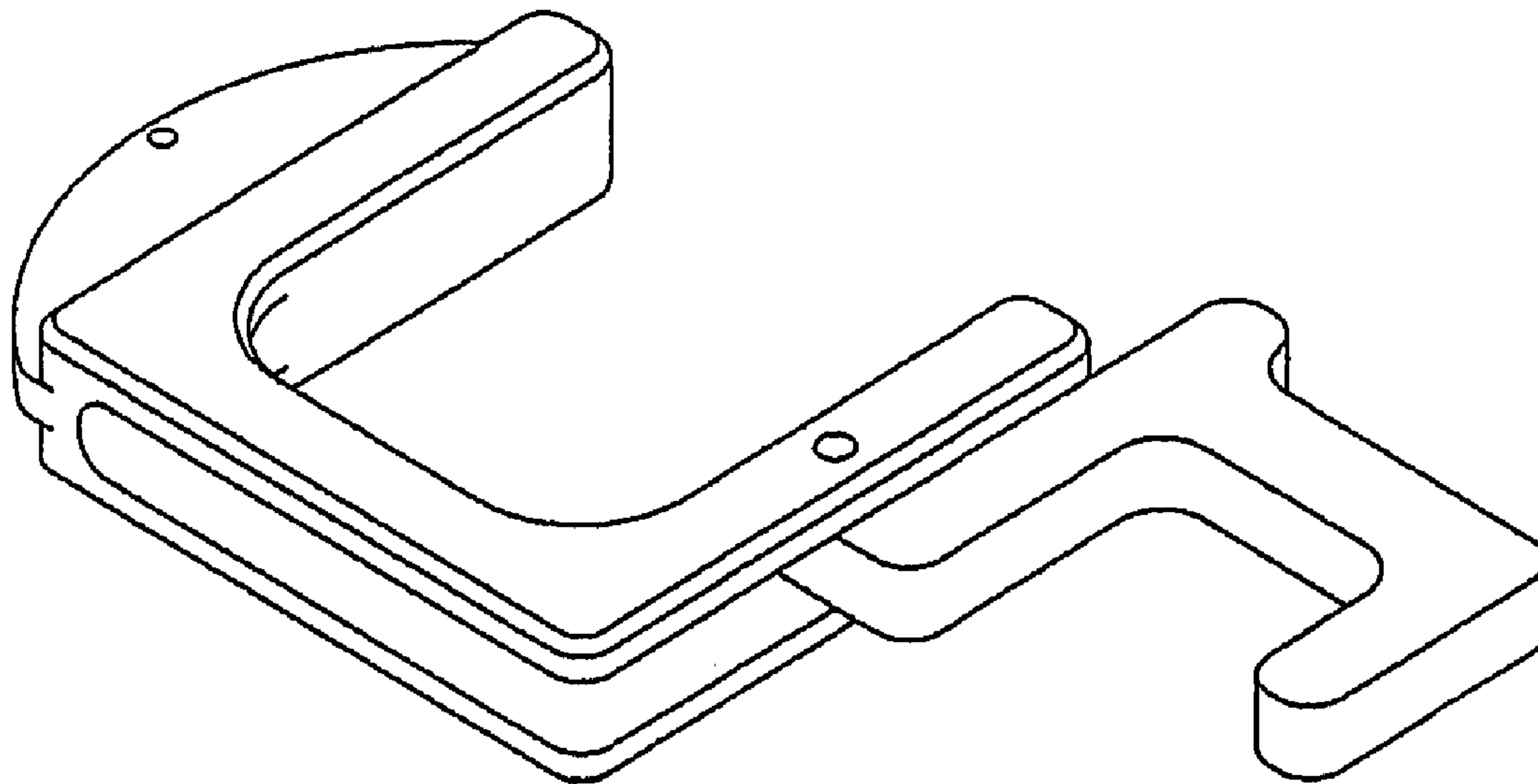


Fig. 2

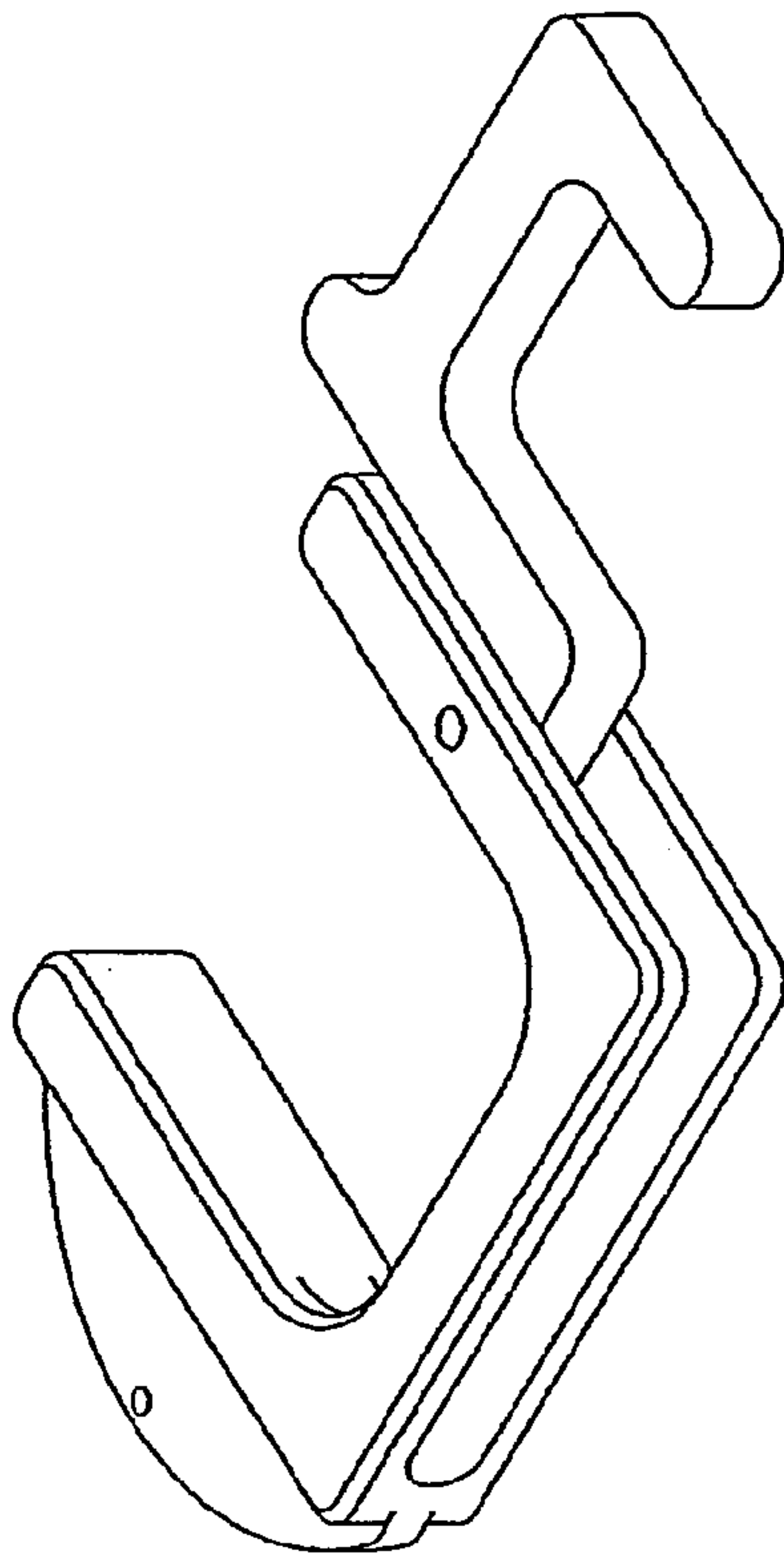


Fig. 1

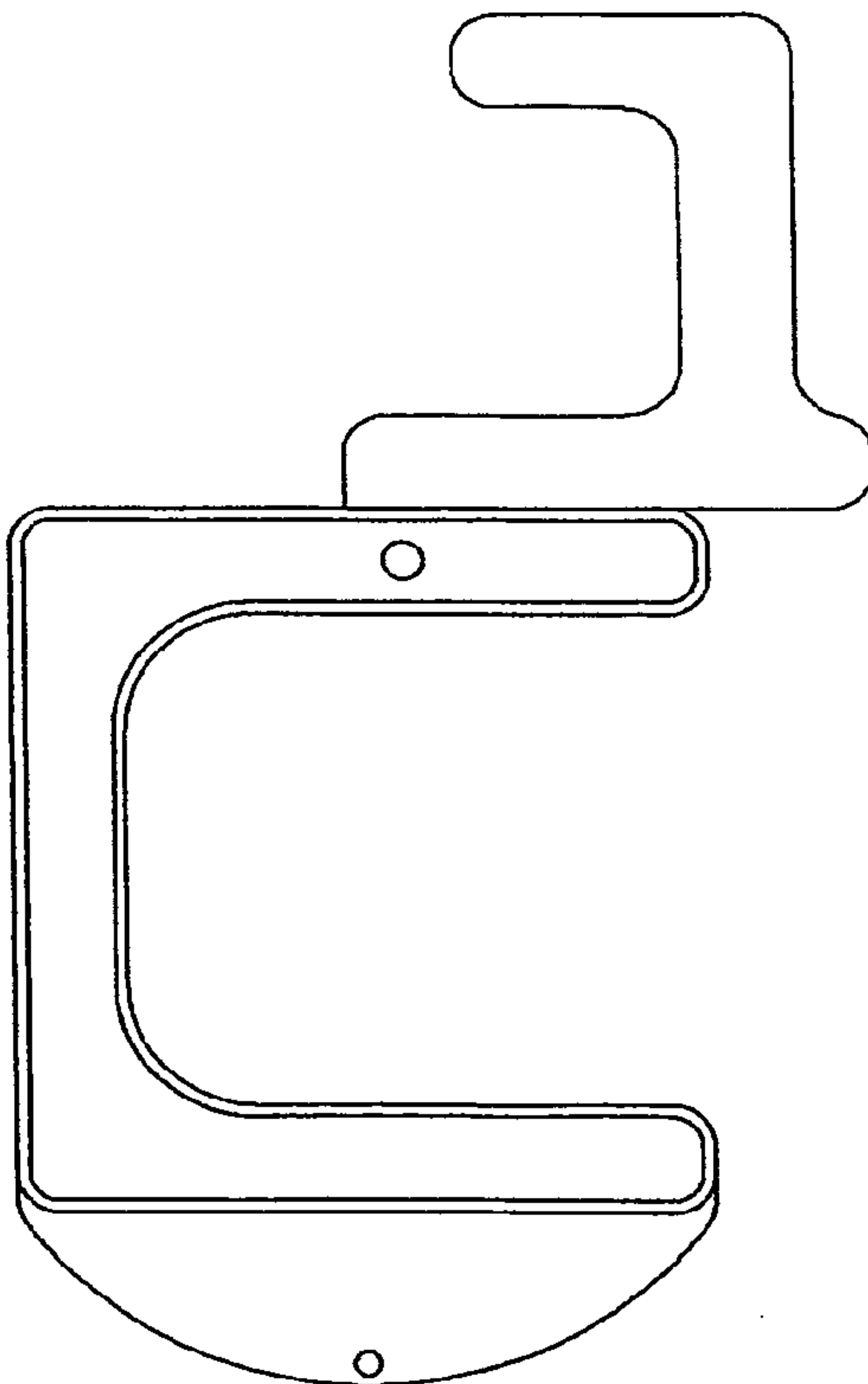


Fig. 4

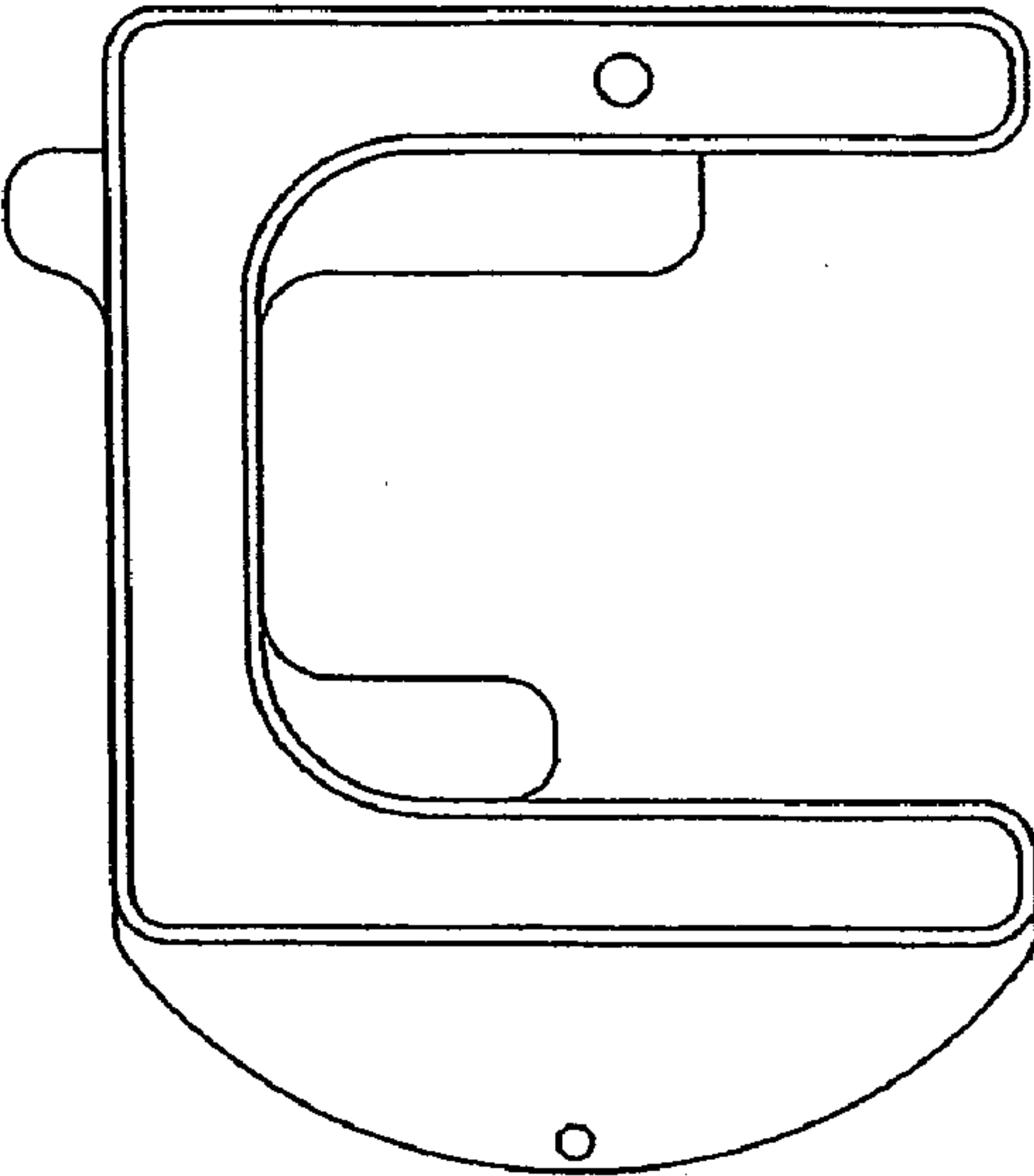


Fig. 3

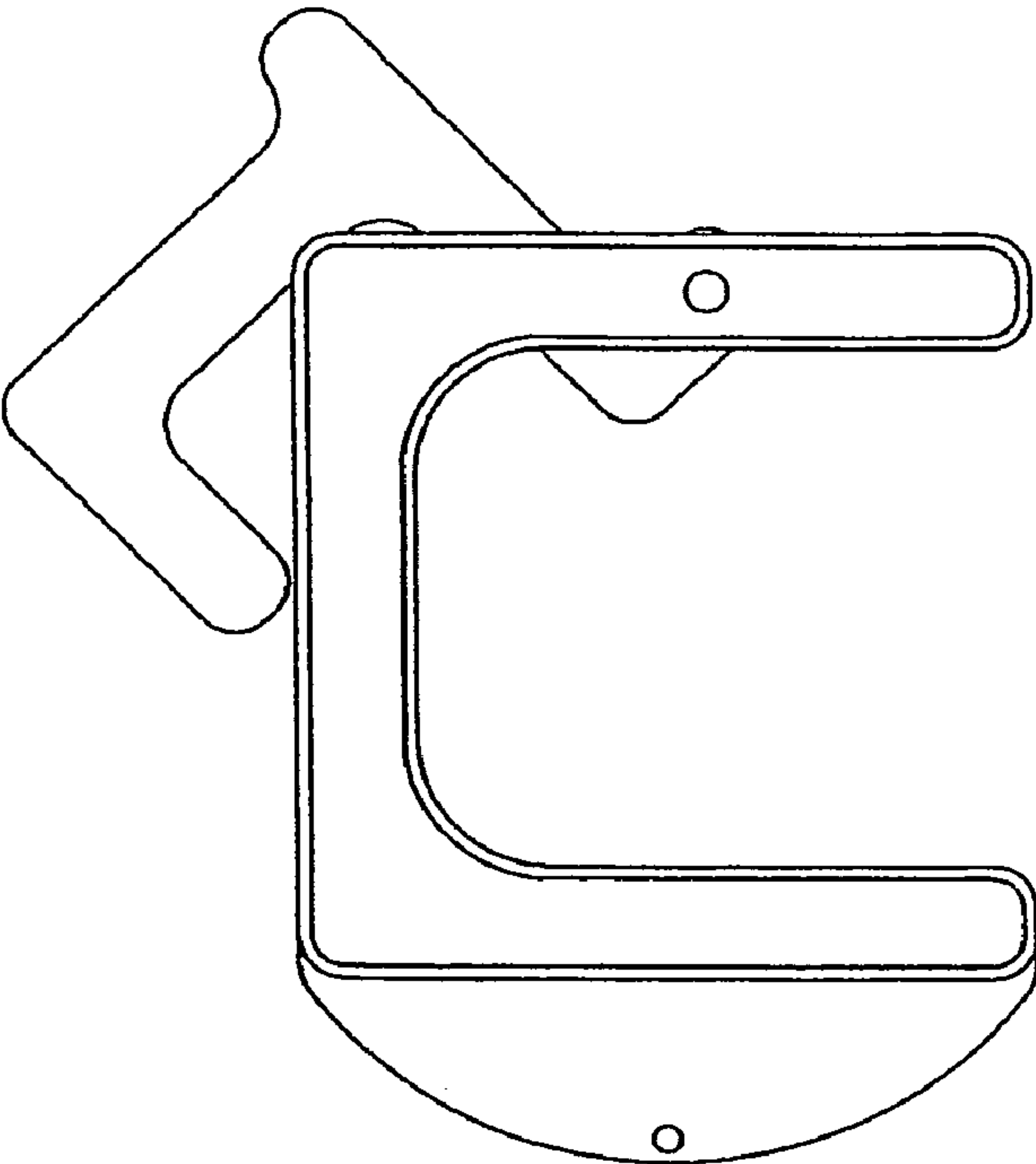


Fig. 5

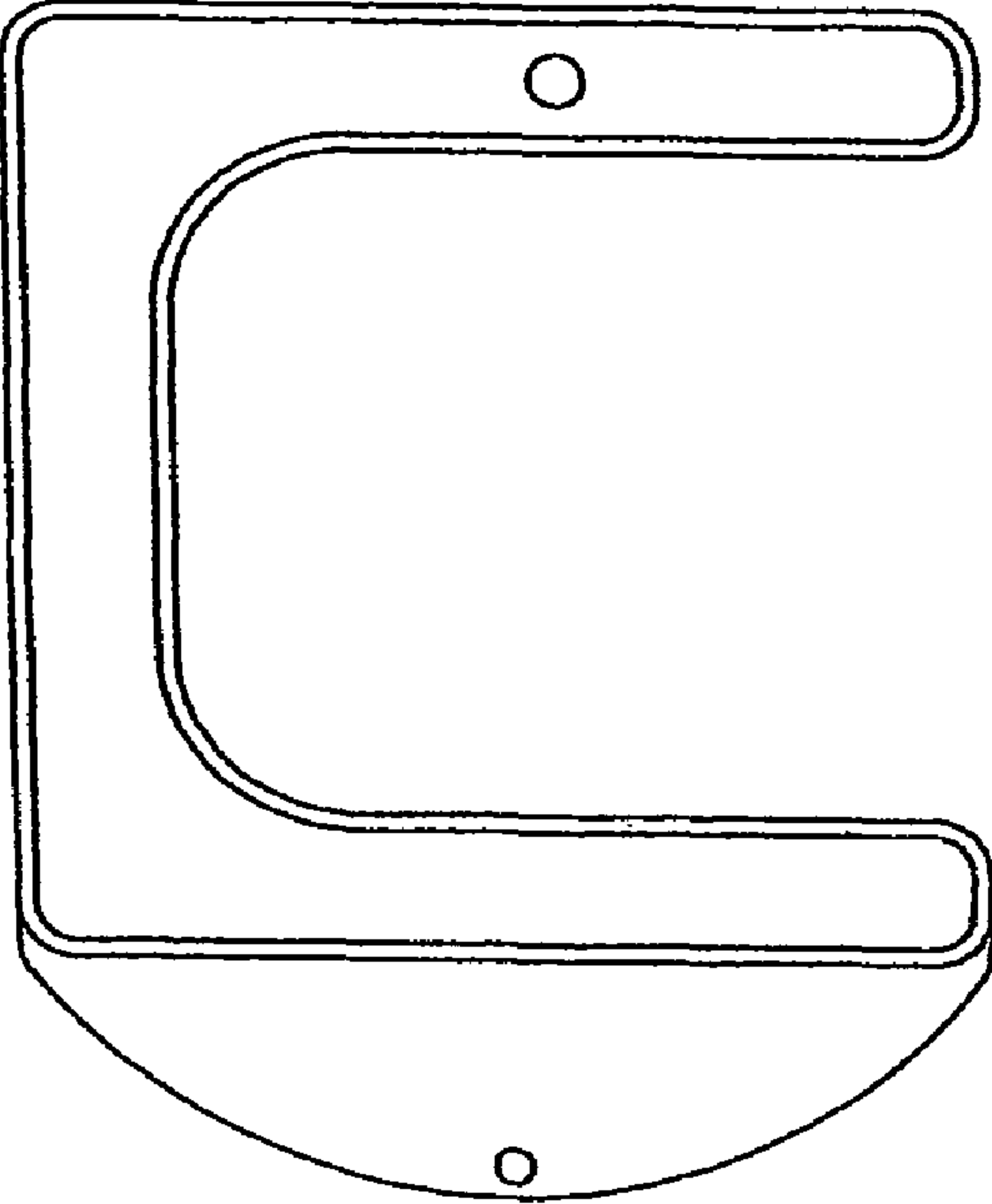


Fig. 6

