



US00D629290S

(12) **United States Design Patent**
Stevens et al.

(10) **Patent No.:** **US D629,290 S**

(45) **Date of Patent:** **** Dec. 21, 2010**

(54) **HOOK**

1,956,786 A 5/1934 Bemis

2,208,152 A 7/1940 Badhorn

(75) Inventors: **Scott Stevens**, Oak Creek, WI (US);
Scott Kalous, Kenosha, WI (US)

(73) Assignee: **Master Lock Company LLC**, Oak
Creek, WI (US)

(Continued)

FOREIGN PATENT DOCUMENTS

(**) Term: **14 Years**

CA 2643627 5/2009

(21) Appl. No.: **29/362,996**

(22) Filed: **Jun. 3, 2010**

(Continued)

(51) **LOC (9) Cl.** **08-05**

(52) **U.S. Cl.** **D8/367**

(58) **Field of Classification Search** D8/367,
D8/356, 370, 372, 1, 382, 373, 349, 354;
248/301-304, 175, 215, 339, 489; 70/59;
24/601, 599.9; 402/35; 114/218; D12/147;
D22/147; 16/87.2, 87.8; D6/313, 500; D20/43
See application file for complete search history.

Primary Examiner—Cynthia Underwood

(74) *Attorney, Agent, or Firm*—Calfee, Halter & Griswold
LLP

(57) **CLAIM**

We claim the ornamental design for a hook, as shown and
described.

(56) **References Cited**

U.S. PATENT DOCUMENTS

68,223 A	8/1867	Miller
71,201 A	11/1867	Miller
104,702 A	6/1870	Brown
191,857 A	6/1877	Hopper
248,957 A	11/1881	Smith
370,333 A	9/1887	Huff
399,005 A	3/1889	Blazier
494,820 A	4/1893	Miller
D32,573 S	4/1900	Storrs
661,069 A	11/1900	Norden
780,343 A	1/1905	Huff
830,914 A	9/1906	Myers
968,621 A	8/1910	Williams
1,010,952 A	12/1911	Purves
1,059,686 A	4/1913	Paulsen
1,064,123 A	6/1913	Bayuk
1,263,745 A	4/1918	Craven
1,409,068 A	3/1922	Simpson
1,514,772 A	11/1924	Kinnear

DESCRIPTION

FIG. 1 is a front perspective view of a hook showing the new
design;

FIG. 2 is a front view of the hook of FIG. 1;

FIG. 3 is a top view of the hook of FIG. 1;

FIG. 4 is a rear view of the hook of FIG. 1;

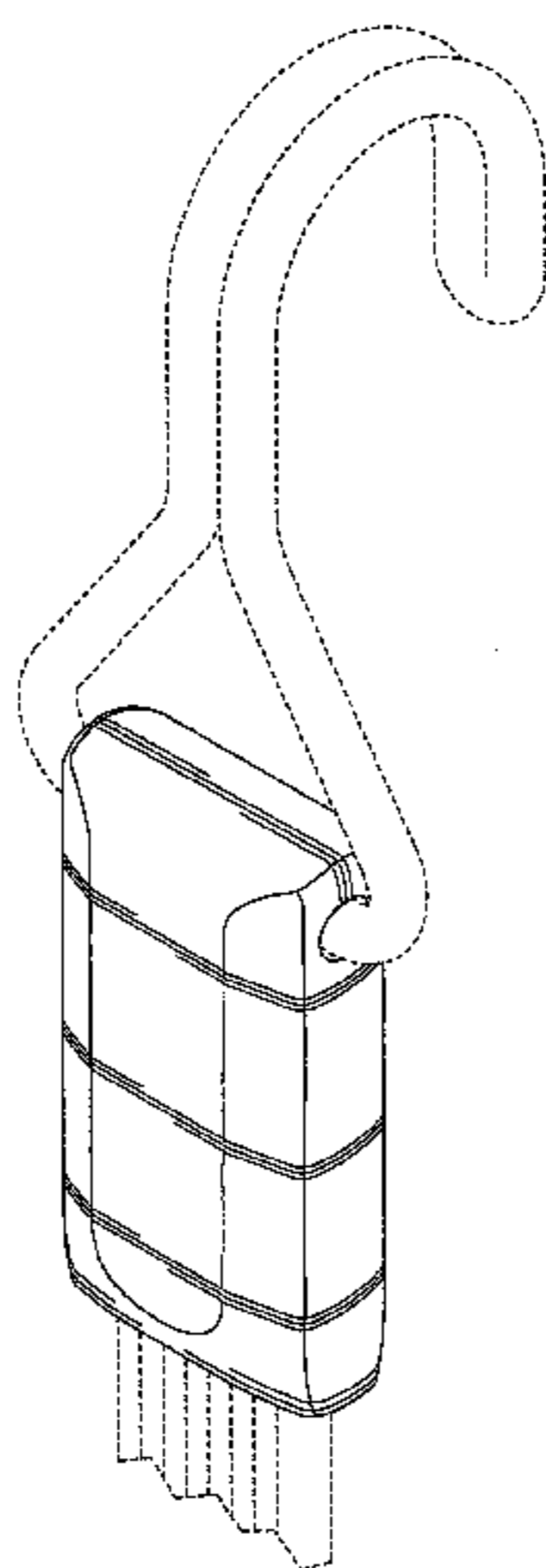
FIG. 5 is a bottom view of the hook of FIG. 1;

FIG. 6 is a left side view of the hook of FIG. 1; and,

FIG. 7 is a right side view of the hook of FIG. 1.

The portions of the Figures shown in phantom lines are for
illustrative purpose only and form no part of the claimed
design.

1 Claim, 4 Drawing Sheets



US D629,290 S

U.S. PATENT DOCUMENTS			FOREIGN PATENT DOCUMENTS		
2,857,644	A	10/1958 Gale	7,181,809	B1	2/2007 Kuo
3,283,433	A	11/1966 Navarino	D537,708	S	3/2007 Leung
D260,234	S	8/1981 Johnson, Jr.	D545,068	S	6/2007 Giampavolo
4,432,121	A	2/1984 Dupre	7,228,600	B1	6/2007 Selby
4,559,677	A	12/1985 Tracy	7,228,601	B2	6/2007 Thompson
4,569,108	A	2/1986 Schwab	D546,169	S *	7/2007 Selby D8/367
D291,630	S *	9/1987 Chap D6/323	D551,066	S *	9/2007 Takahashi D8/383
D292,499	S	10/1987 Eddy	D551,541	S	9/2007 Kuo
4,769,875	A	9/1988 Hartman	D552,456	S	10/2007 Selby
4,831,692	A	5/1989 Chuan	D557,591	S	12/2007 Mackey
D307,705	S	5/1990 Mair	7,320,159	B2	1/2008 Petzl
4,995,329	A	2/1991 Kleine	7,343,648	B2	3/2008 Shaw
5,005,266	A	4/1991 Fister	D568,145	S	5/2008 Handel
D320,920	S *	10/1991 Madsen D8/91	D570,256	S *	6/2008 Tucker D12/133
5,187,844	A	2/1993 Simond	7,458,135	B2	12/2008 Mikesell
5,210,914	A	5/1993 Katsma	7,540,070	B1	6/2009 Selby
D338,602	S	8/1993 Schaumburg	D597,824	S *	8/2009 Wang D8/356
D345,297	S	3/1994 Kraine	7,574,881	B1	8/2009 Wong
5,308,101	A	5/1994 Monty	D605,027	S *	12/2009 Leung D8/367
5,317,788	A	6/1994 Esposito et al.	2002/0194711	A1	12/2002 Stampler
5,384,943	A	1/1995 LeFebvre	2003/0106187	A1	6/2003 Jackson
5,416,955	A	5/1995 Katsma	2003/0106190	A1	6/2003 Christianson
5,423,644	A	6/1995 First, Sr.	2004/0143945	A1	7/2004 Christianson
D364,552	S	11/1995 Mathiassen	2005/0050695	A1	3/2005 Mackey et al.
5,463,798	A	11/1995 Wurzer	2005/0115654	A1	6/2005 Badham
5,490,650	A	2/1996 Pendergrass	2006/0137151	A1	6/2006 Thompson
5,546,639	A	8/1996 Lacore et al.	2006/0169534	A1	8/2006 Green
5,553,822	A	9/1996 Barnard et al.	2006/0219479	A1	10/2006 Petzi
5,638,584	A	6/1997 DeAnfrasio	2007/0186393	A1	8/2007 Thompson
5,655,329	A	8/1997 Yong-Set	2007/0261213	A1	11/2007 Nolan
5,687,892	A *	11/1997 Johns 224/268	2008/0005876	A1	1/2008 Christianson
5,695,102	A	12/1997 Jackson	2008/0022497	A1	1/2008 Thompson
D389,036	S	1/1998 Smiley et al.	2008/0060170	A1	3/2008 Wagner
5,732,662	A	3/1998 Jacobsen	2008/0120818	A1	5/2008 Belcourt
5,758,392	A	6/1998 Anscher et al.	2009/0119887	A1	5/2009 Joubert et al.
5,913,479	A	6/1999 Westwood, III	2009/0119891	A1	5/2009 Leung
D415,417	S *	10/1999 Suzuki D9/415	2009/0151651	A1	6/2009 Charrin
D417,386	S	12/1999 Huston	FOREIGN PATENT DOCUMENTS		
6,012,204	A	1/2000 Roethler	DE	3715361	11/1988
6,014,794	A	1/2000 McCoy	EP	0255281	3/1988
6,049,950	A	4/2000 Cavallo	EP	0493252	7/1992
6,049,953	A	4/2000 McCay	EP	0722856	7/1996
D423,914	S	5/2000 Klein et al.	EP	1329646	7/2003
6,113,327	A	9/2000 Schrader	EP	1795439	6/2007
6,152,838	A	11/2000 Killion	FR	2059778	6/1971
6,161,261	A	12/2000 Shaw	FR	2059879	6/1971
6,202,263	B1	3/2001 Harker	FR	2208805	6/1974
D444,052	S	6/2001 Catlett	FR	2407386	5/1979
6,280,128	B1	8/2001 Schrader	FR	2606751	5/1988
6,328,179	B1	12/2001 Conrado et al.	FR	2670850	6/1992
D457,420	S	5/2002 Kalat	FR	2707257	1/1995
6,381,812	B1	5/2002 Crider	FR	2718041	6/1995
6,394,720	B1	5/2002 McCay	FR	2733013	10/1996
D458,831	S	6/2002 Selby	FR	2767162	2/1999
D467,159	S	12/2002 Meyer	FR	2881488	4/2006
D472,452	S	4/2003 Chou	FR	2929905	3/2009
6,588,076	B1	7/2003 Choate	FR	2923561	5/2009
6,623,224	B2	9/2003 Schrader	GB	2043465	10/1980
D480,946	S	10/2003 Estep, Jr.	GB	2058901	5/1981
D481,296	S	10/2003 Chen	GB	2279249	1/1995
6,675,977	B2	1/2004 Parks	GB	2344268	7/2000
D504,767	S *	5/2005 DiMarchi et al. D3/215	GB	2439740	1/2008
D505,545	S *	5/2005 Kay D3/228	WO	94/00846	3/1994
6,886,796	B1	5/2005 Elander	WO	98/06293	2/1998
D508,588	S	8/2005 Groover	WO	99/08010	2/1999
6,938,306	B2	9/2005 Joubert et al.	WO	2004/045899	3/2004
7,025,172	B2	4/2006 Gregory	WO	2005/024267	3/2005
7,080,718	B2	7/2006 McCay	WO	2006045157	5/2006
D525,861	S	8/2006 Mackey et al.	WO	2007128076	11/2007
7,103,944	B2	9/2006 Johnson			

* cited by examiner

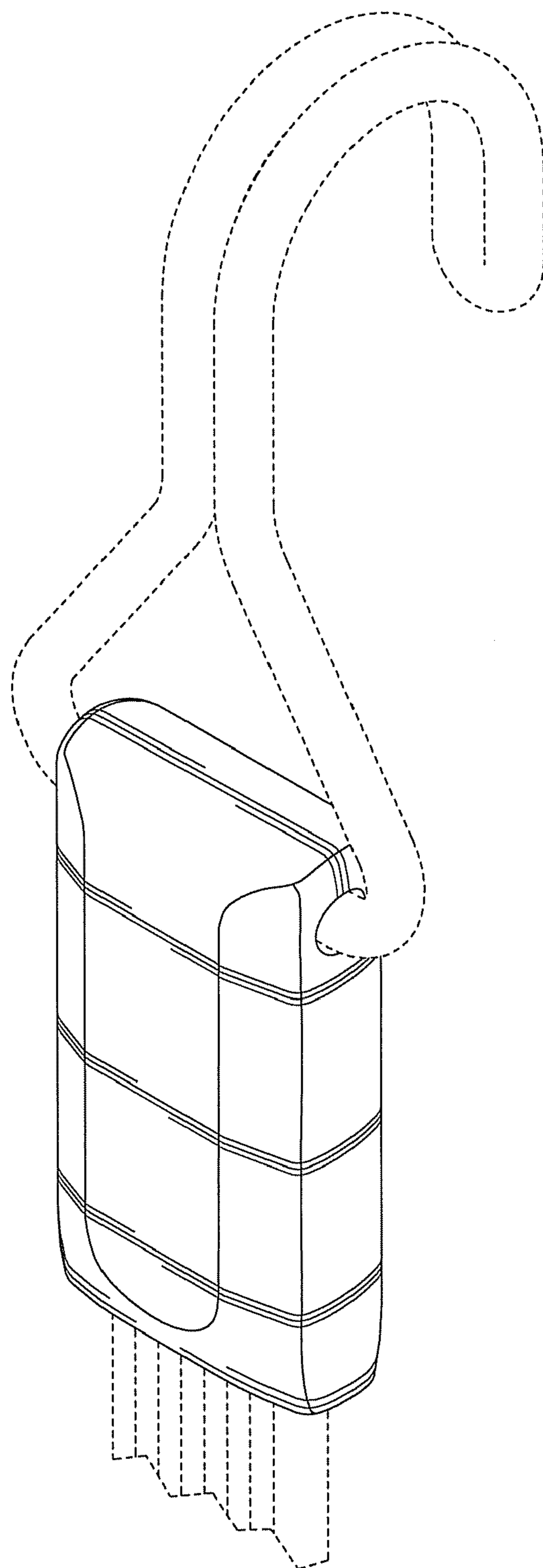


FIG. 1

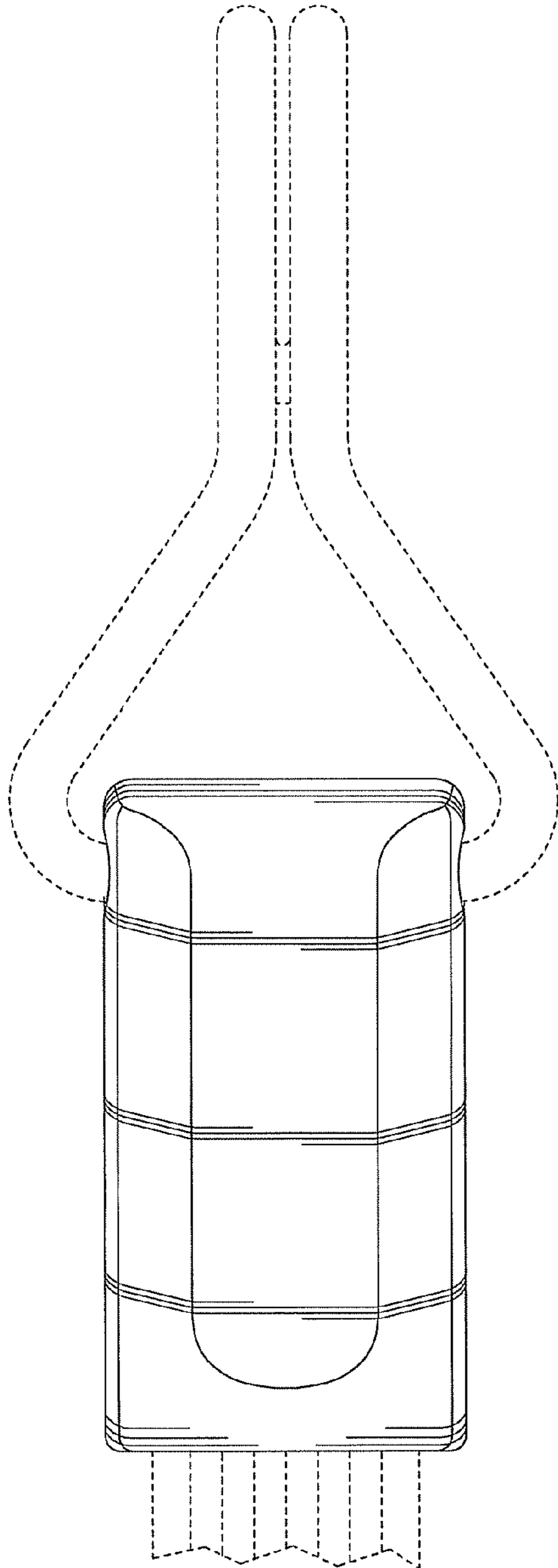


FIG. 2

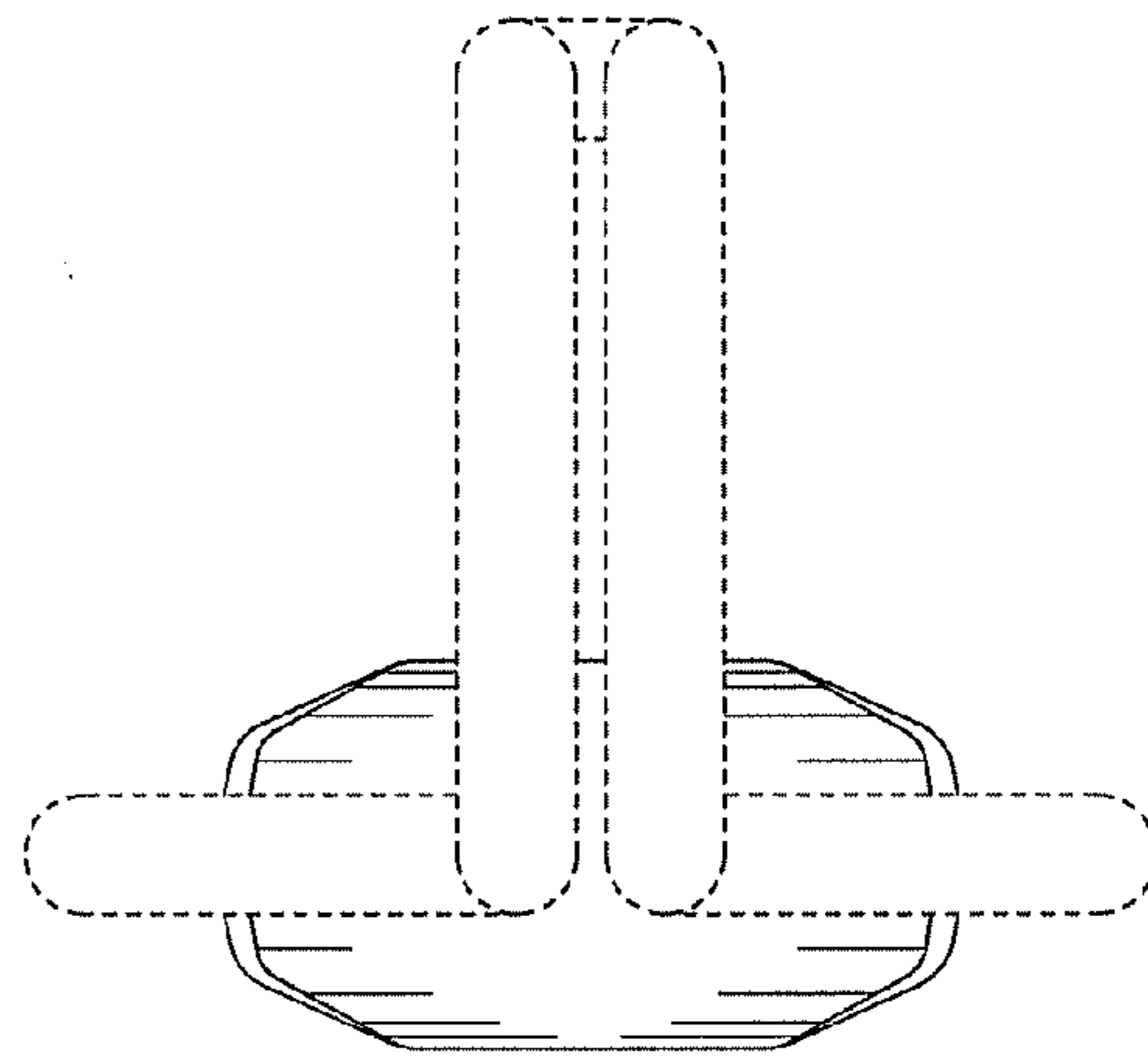


FIG. 3

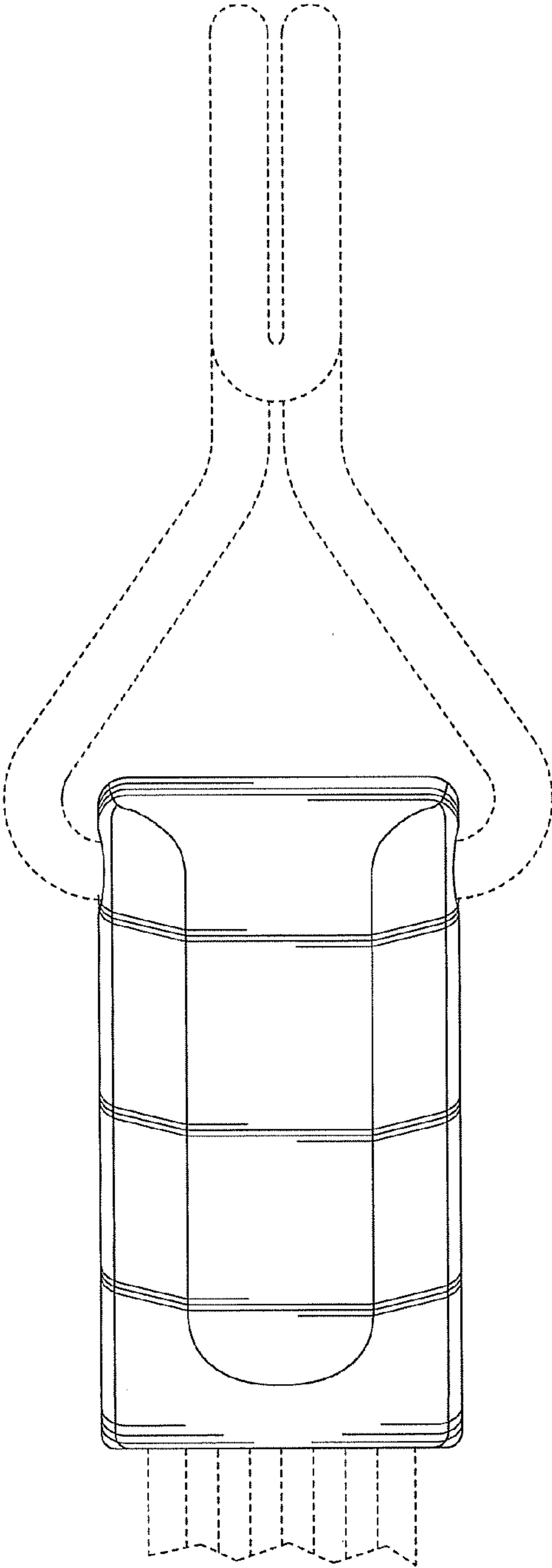


FIG. 4

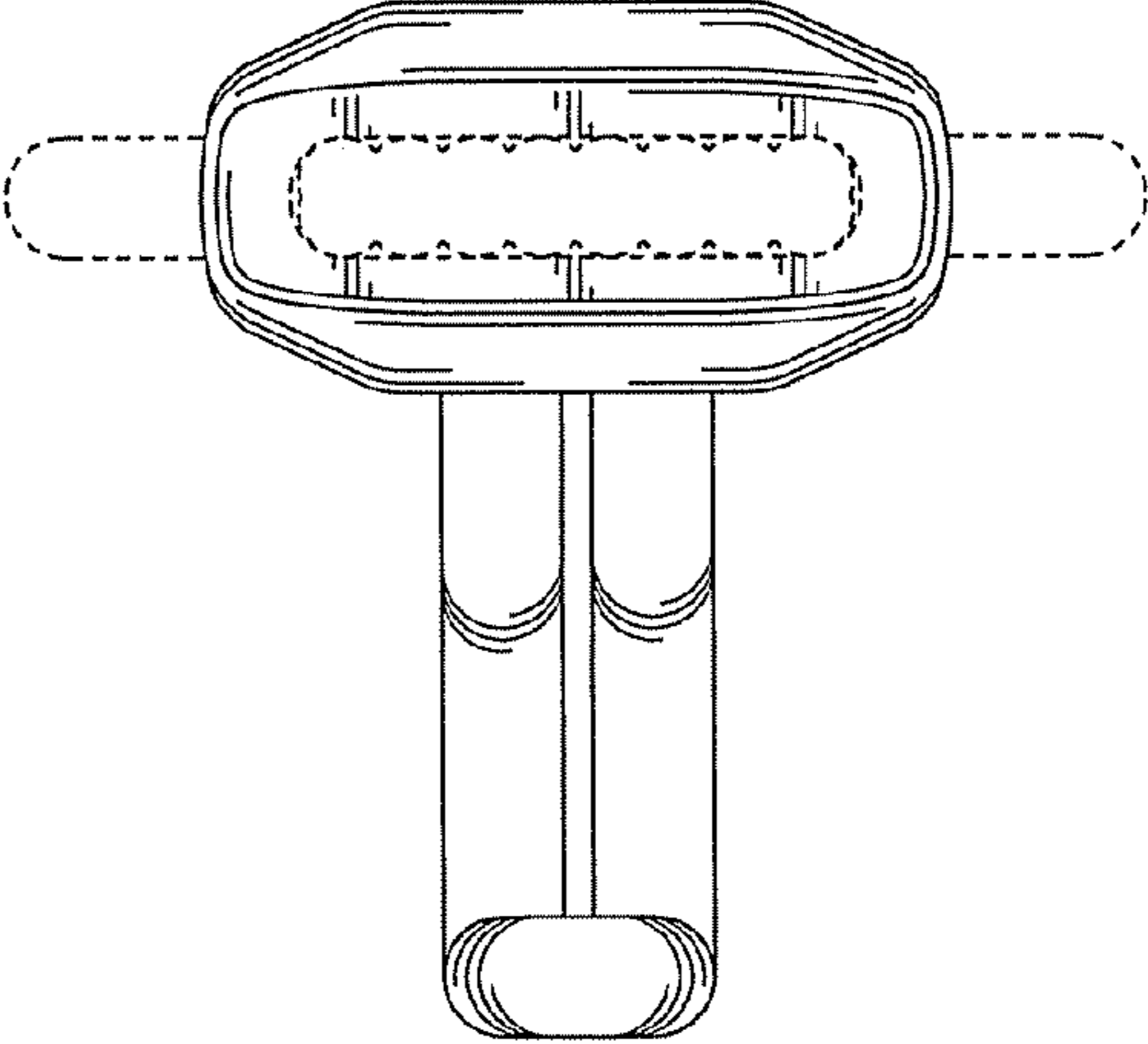


FIG. 5

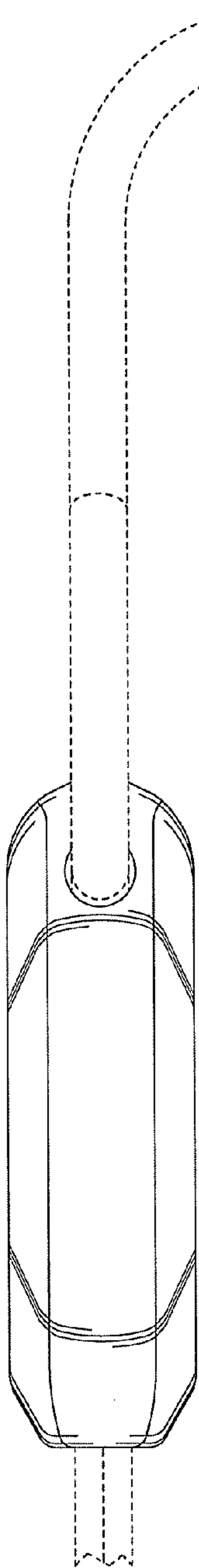


FIG. 6

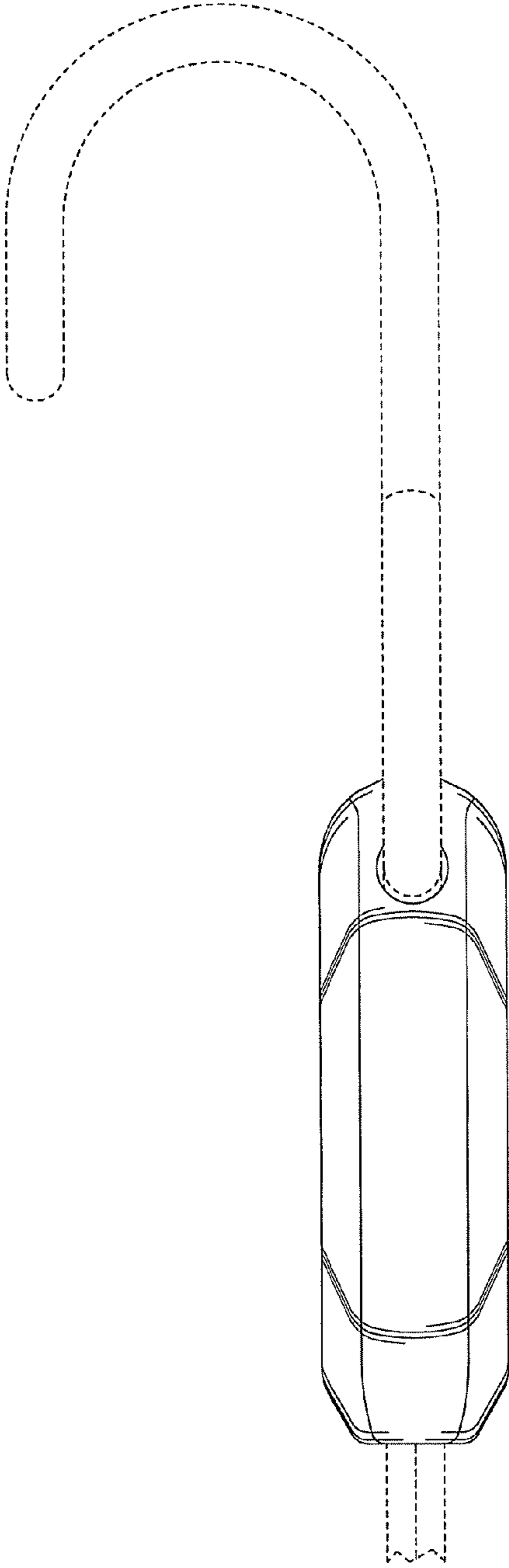


FIG. 7