



US00D629287S

(12) **United States Design Patent**  
**Kelleghan**

(10) **Patent No.:** **US D629,287 S**  
(45) **Date of Patent:** **\*\* Dec. 21, 2010**

(54) **CARABINER WITH INTEGRATED CLEAT**

FOREIGN PATENT DOCUMENTS

(75) Inventor: **Brian James Kelleghan**, Longmont, CO  
(US)

FR 581693 A1 \* 2/1994

(Continued)

(73) Assignee: **Bison Designs, LLC**, Longmont, CO  
(US)

OTHER PUBLICATIONS

(\*\*) Term: **14 Years**

U.S. Appl. No. 29/354,316, filed Jan. 22, 2010; First Named Inventor:  
Brian James Kelleghan.

(21) Appl. No.: **29/354,130**

(Continued)

(22) Filed: **Jan. 20, 2010**

*Primary Examiner*—Robert M Spear

*Assistant Examiner*—Karen Acker

(51) **LOC (9) Cl.** ..... **08-05**

(52) **U.S. Cl.** ..... **D8/356**

(58) **Field of Classification Search** ..... D8/105,  
D8/107, 333, 349, 356, 358, 360, 360.1, 367,  
D8/372, 373, 382, 383, 394–396, 400; D13/133,  
D13/139.4, 153, 155; 24/18, 20 W, 23 W,  
24/115 R, 129 C, 130, 131 R, 197, 561; 52/220.7;  
174/135, 153 G, 650, 656; 211/86.01, 87.01,  
211/94.01; 242/400.1, 405.1, 405.2, 600,  
242/603; 248/65, 74.1–74.4, 201, 214, 215,  
248/229.26; 114/114

(74) *Attorney, Agent, or Firm*—Margaret Polson; Oppedahl  
Patent Law Firm LLC

See application file for complete search history.

(57) **CLAIM**

The ornamental design for a carabiner with integrated cleat,  
as shown and described.

(56) **References Cited**

**DESCRIPTION**

U.S. PATENT DOCUMENTS

48,100 A	6/1865	Saladee	
195,909 A	10/1877	Walker	
1,072,556 A *	9/1913	Wood	24/130
2,357,478 A	9/1944	Koch	
D140,381 S *	2/1945	Anderson	D8/383
D303,212 S *	9/1989	Crowle	D8/372
5,205,687 A	4/1993	Boyland	
5,230,295 A	7/1993	Shell	

FIG. 1 is a top plan view of my new design for a carabiner with  
integrated cleat, the gate which is shown in dotted lines which  
is for illustrative purposes only and does not form part of the  
claimed design.

FIG. 2 is a bottom plan view of FIG. 1.

FIG. 3 is a right side elevation view of FIG. 1.

FIG. 4 is a left elevation view of FIG. 1.

FIG. 5 is a front side elevation view of FIG. 1.

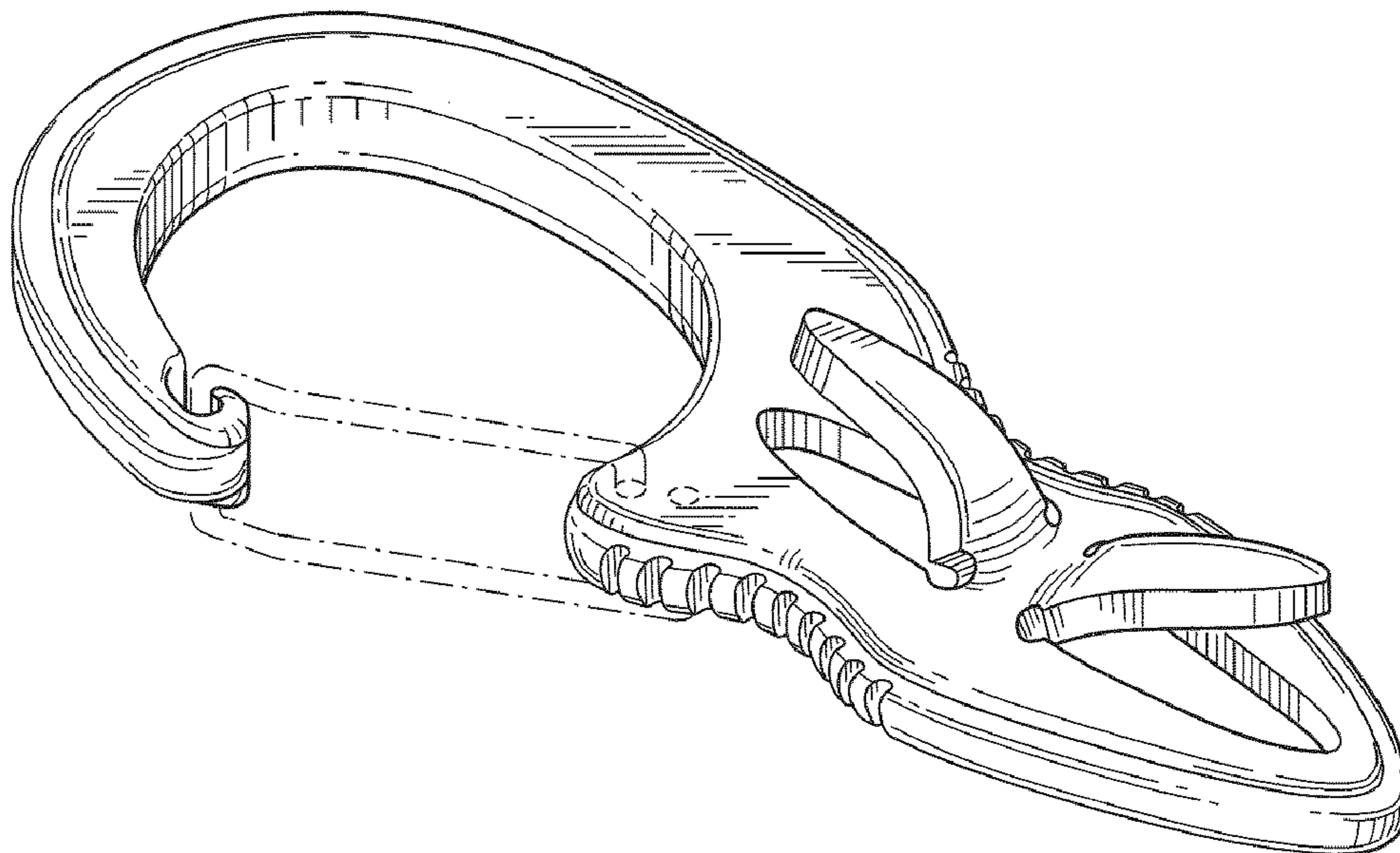
FIG. 6 is rear side elevation view of FIG. 1; and,

FIG. 7 is a top perspective view of FIG. 1.

The broken lines in the drawing represent unclaimed environ-  
mental subject matter.

(Continued)

**1 Claim, 2 Drawing Sheets**



# US D629,287 S

Page 2

## U.S. PATENT DOCUMENTS

5,307,751 A 5/1994 Shell  
D410,374 S \* 6/1999 Meurer ..... D8/349  
D435,785 S \* 1/2001 Stribel ..... D8/367  
D444,377 S \* 7/2001 Harvey ..... D8/371  
D444,685 S 7/2001 Shenkel et al.  
D448,655 S \* 10/2001 Lai ..... D8/367  
6,382,569 B1 \* 5/2002 Schattner et al. .... 248/74.1  
D464,558 S \* 10/2002 Trifilio ..... D8/354  
D480,841 S 10/2003 Bird  
6,662,739 B1 12/2003 Radford  
D525,168 S 7/2006 Pontaoe  
D552,462 S 10/2007 Boyd et al.  
D581,255 S 11/2008 Calvin  
7,636,986 B2 12/2009 Sorensen  
D608,078 S 1/2010 Tranto  
D608,184 S \* 1/2010 Kelleghan ..... D8/356  
D612,710 S \* 3/2010 Kelleghan ..... D8/356  
7,703,181 B2 \* 4/2010 Peet ..... 24/130

2005/0061905 A1 3/2005 Sherman et al.  
2006/0179618 A1 8/2006 Radford  
2007/0209165 A1 9/2007 Sorensen et al.  
2008/0016659 A1 1/2008 Peterson  
2009/0241296 A1 10/2009 Sorensen  
2009/0241297 A1 10/2009 Sorensen

## FOREIGN PATENT DOCUMENTS

FR 2701402 8/1994  
FR 2706314 12/1994  
FR 2832068 5/2003  
GB 1178227 A1 \* 2/2002  
GB 138497 A1 \* 1/2004

## OTHER PUBLICATIONS

U.S. Appl. No. 29/354,843, filed Jan. 29, 2010; First Named Inventor:  
Brian James Kelleghan.

\* cited by examiner

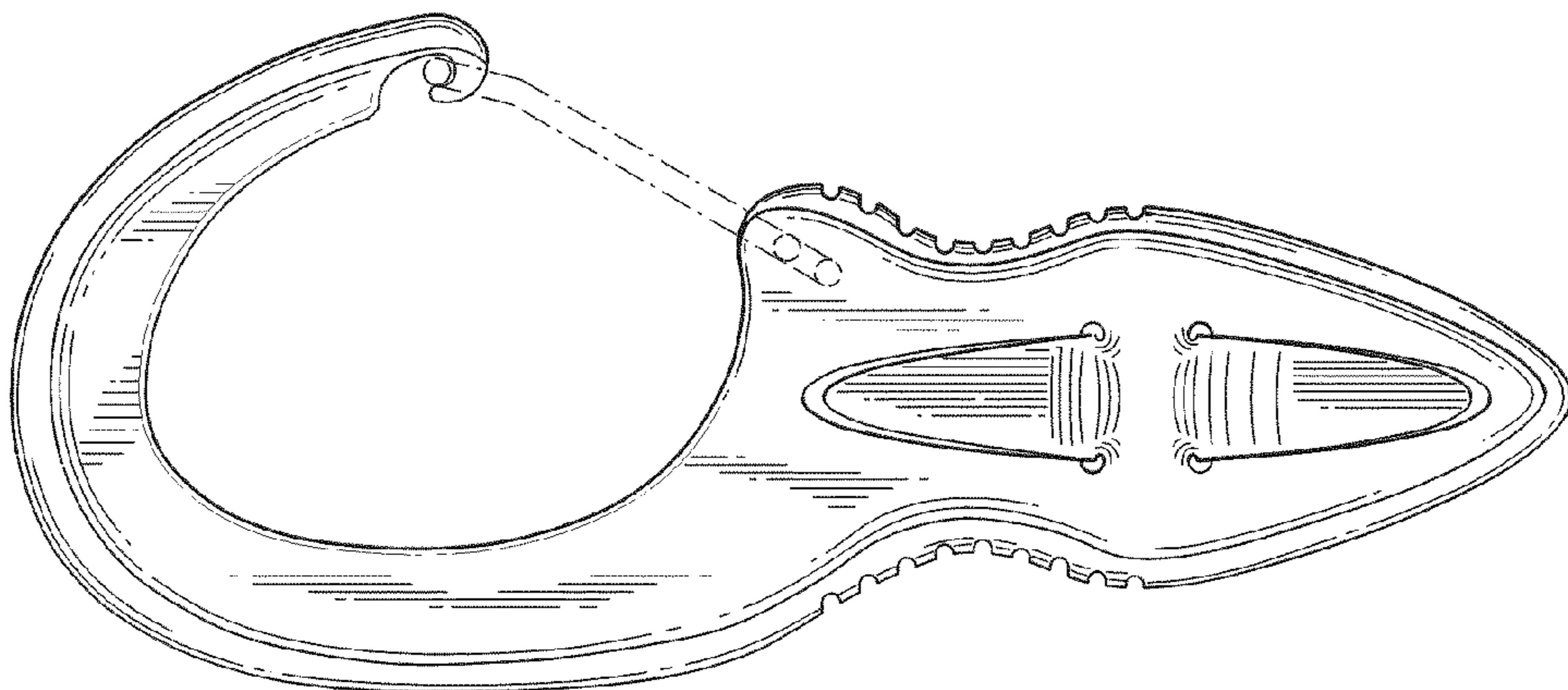


FIG. 2

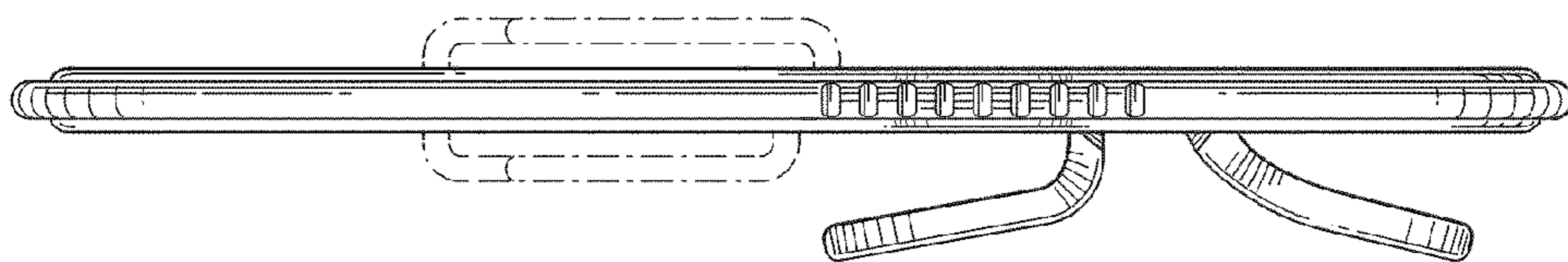


FIG. 3

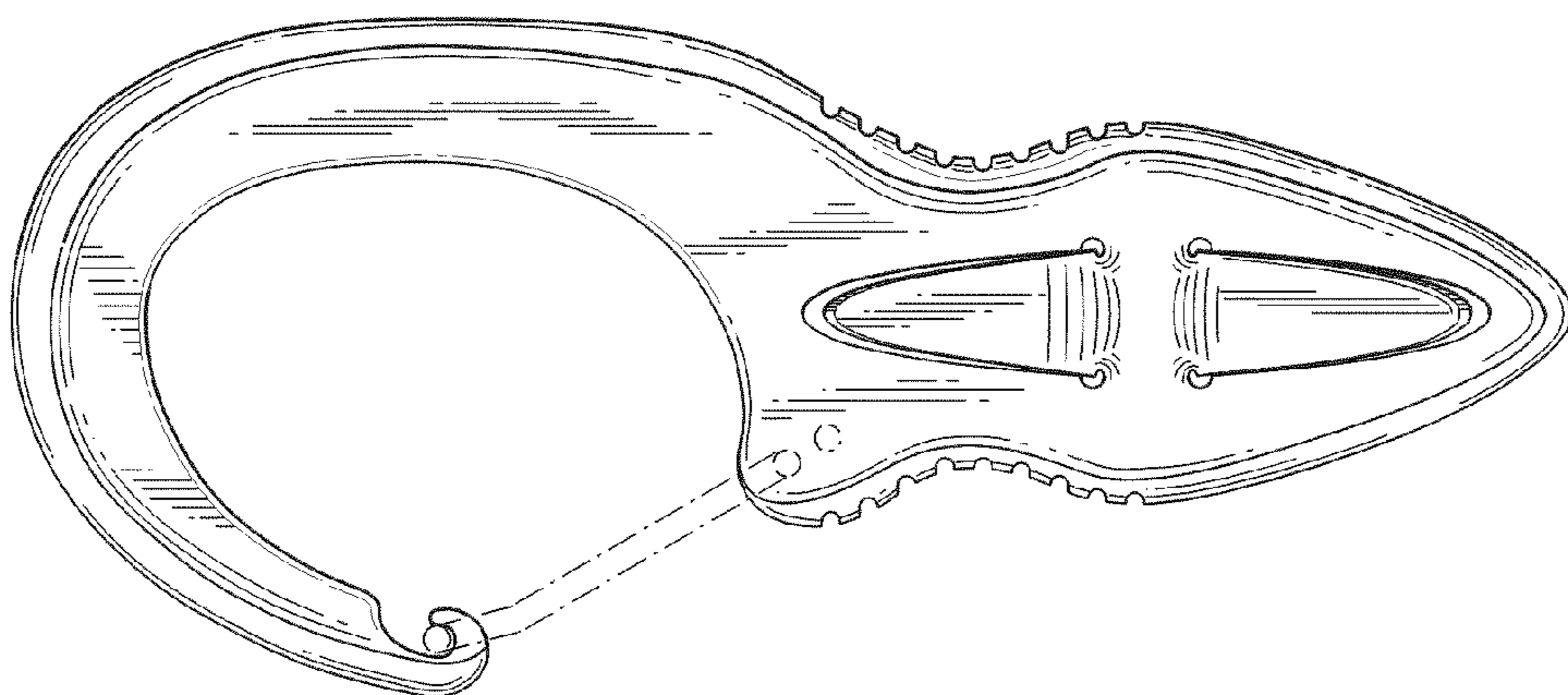


FIG. 1

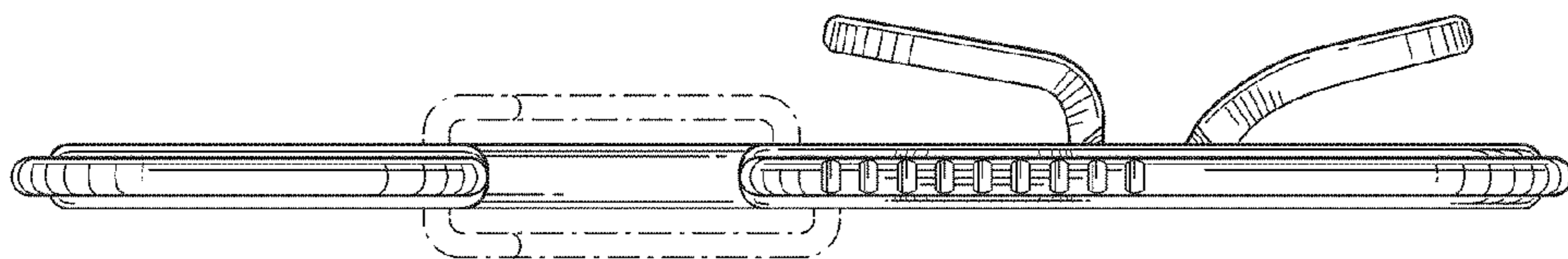


FIG. 4

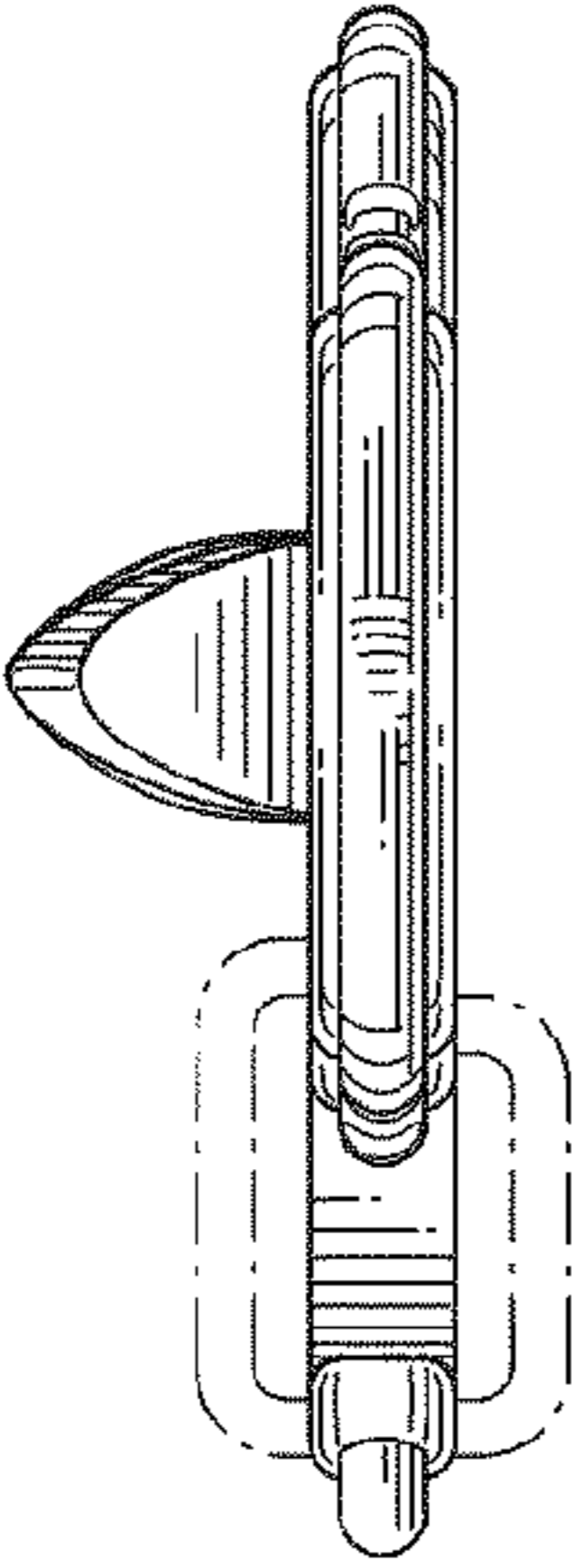


FIG. 6

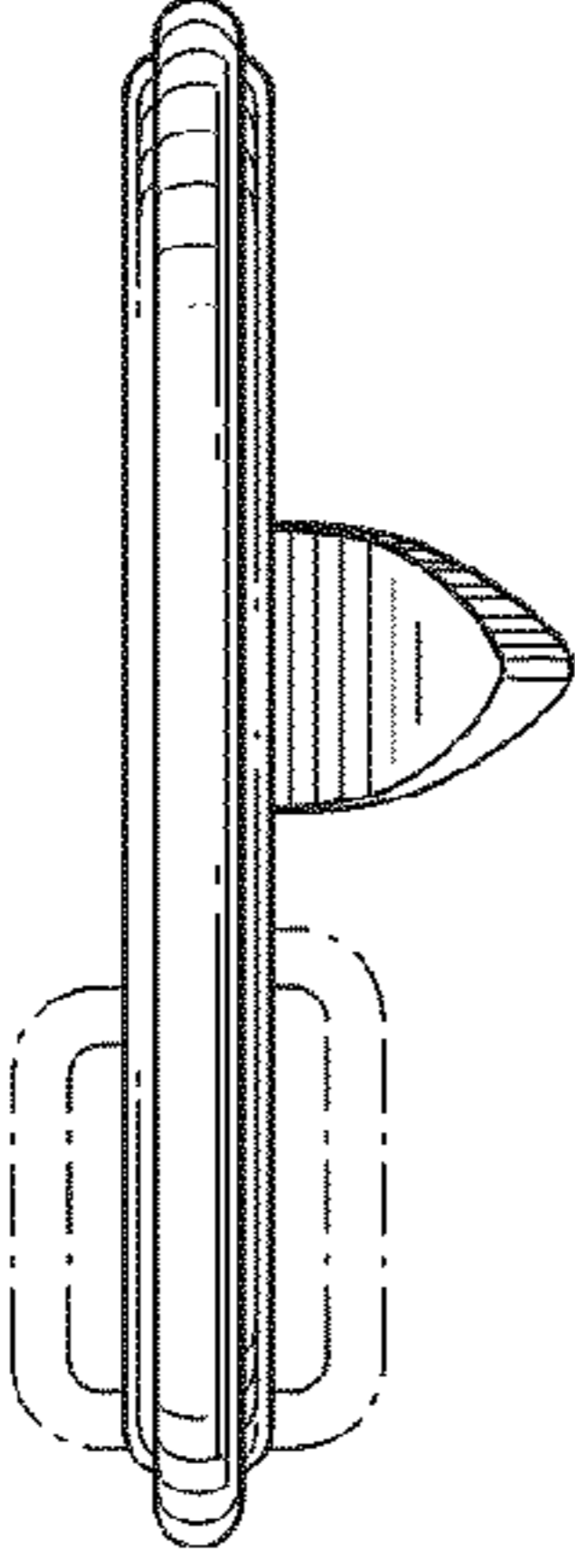


FIG. 5

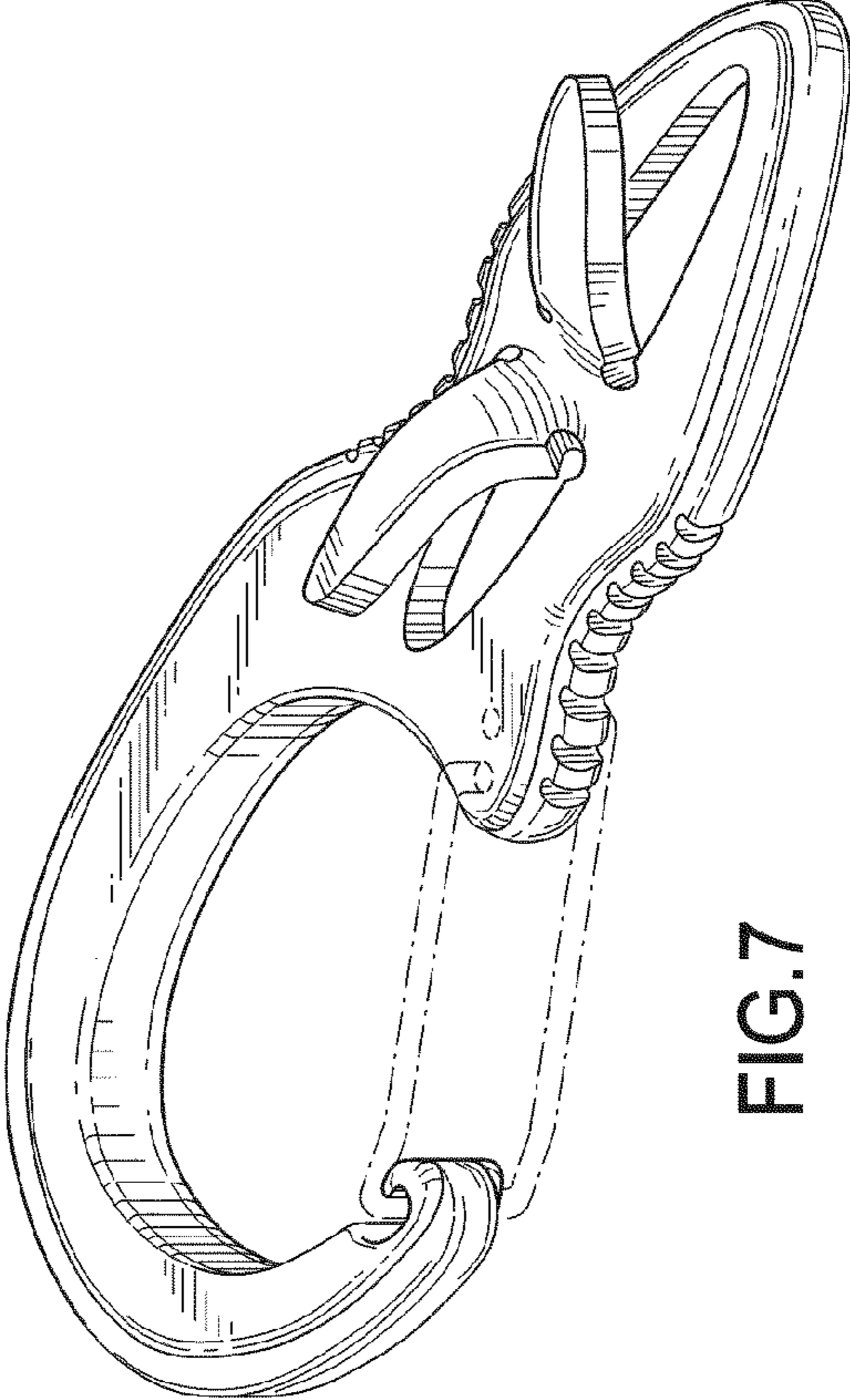


FIG. 7