



US00D629285S

(12) **United States Design Patent**
Gharst

(10) **Patent No.:** **US D629,285 S**

(45) **Date of Patent:** **** Dec. 21, 2010**

(54) **ADJUSTABLE UMBRELLA STAND**

(75) Inventor: **Aaron R. Gharst**, Poway, CA (US)

(73) Assignee: **Taag Industries, Inc.**, Vista, CA (US)

(**) Term: **14 Years**

(21) Appl. No.: **29/357,766**

(22) Filed: **Mar. 17, 2010**

(51) **LOC (9) Cl.** **08-05**

(52) **U.S. Cl.** **D8/355**

(58) **Field of Classification Search** D8/354-355;
248/156, 545, 541

See application file for complete search history.

(56) **References Cited**

U.S. PATENT DOCUMENTS

- 4,061,301 A * 12/1977 Catend, Jr. 248/156
- D331,529 S * 12/1992 Reinklou D8/73
- D561,008 S * 2/2008 Jones D8/355
- 7,503,541 B2 * 3/2009 Harold et al. 248/545

* cited by examiner

Primary Examiner—Holly H Baynham

(74) *Attorney, Agent, or Firm*—Nydegger & Associates

(57) **CLAIM**

The ornamental design for an adjustable umbrella stand, as shown.

DESCRIPTION

FIG. 1 is a top-front perspective view of the adjustable umbrella stand of the present invention;

FIG. 2 is a right side view thereof;

FIG. 3 is a left side view thereof;

FIG. 4 is a front elevation view thereof;

FIG. 5 is a rear elevation view thereof;

FIG. 6 is a top plan view thereof; and,

FIG. 7 is a bottom view thereof.

1 Claim, 3 Drawing Sheets

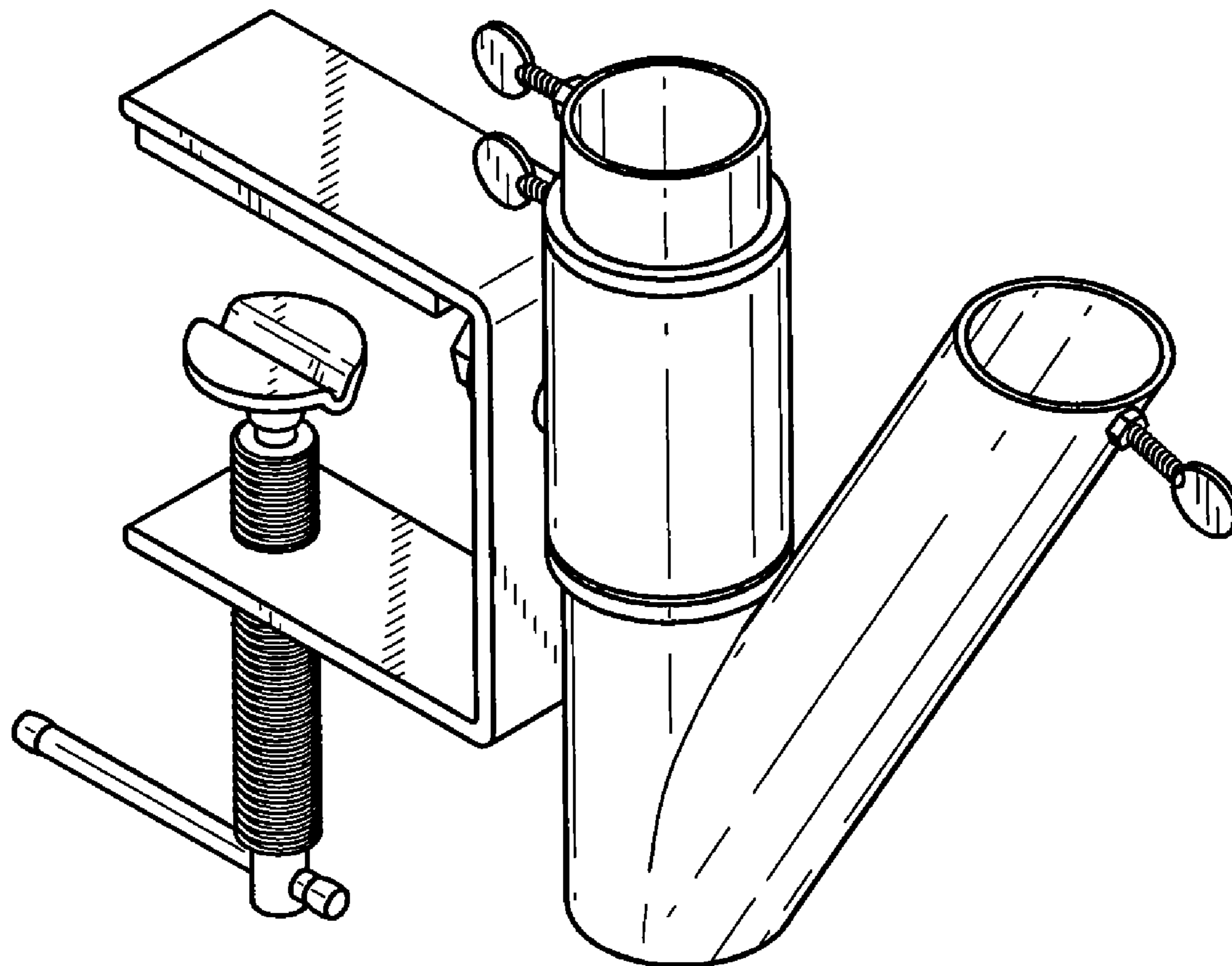
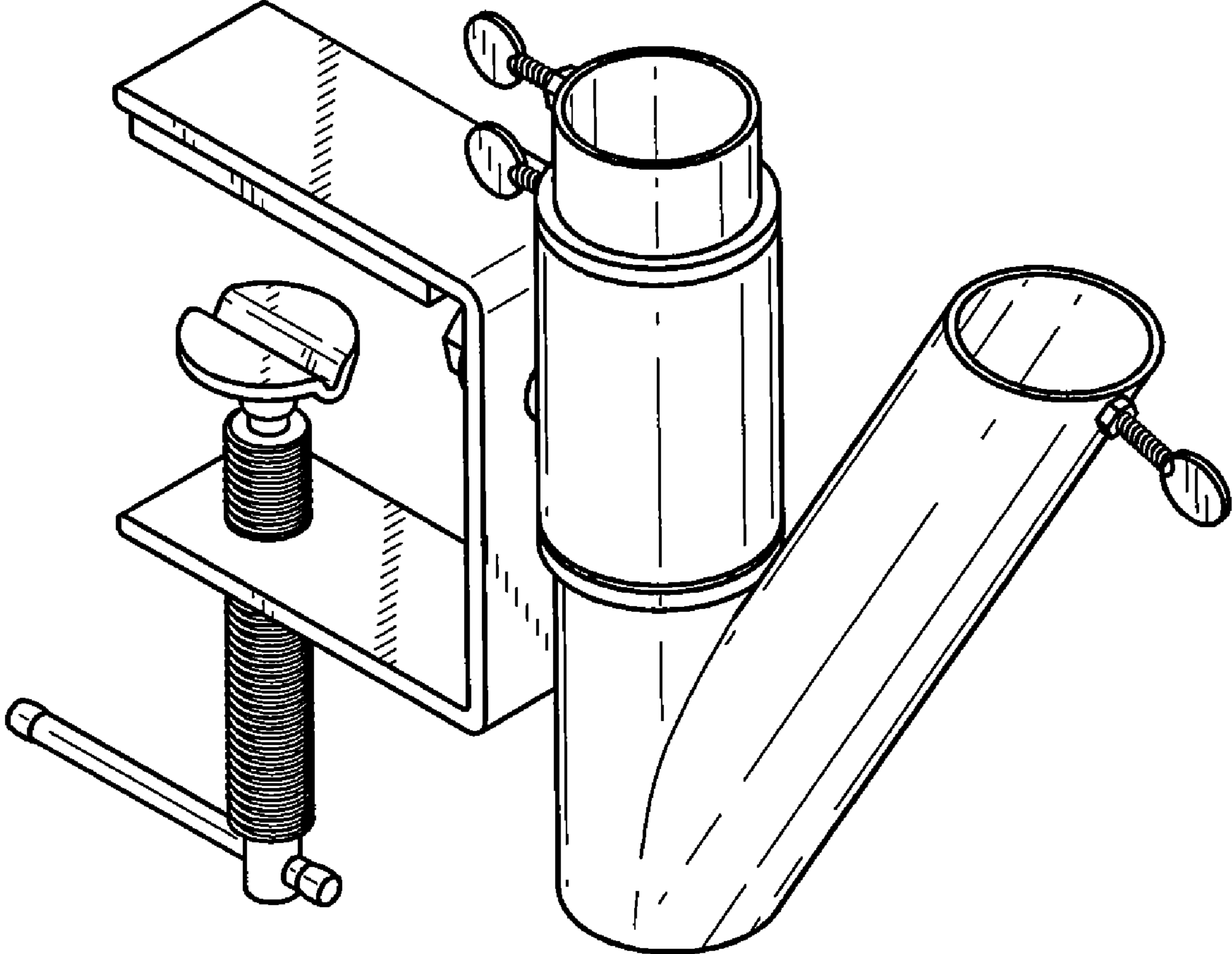


FIG. 1



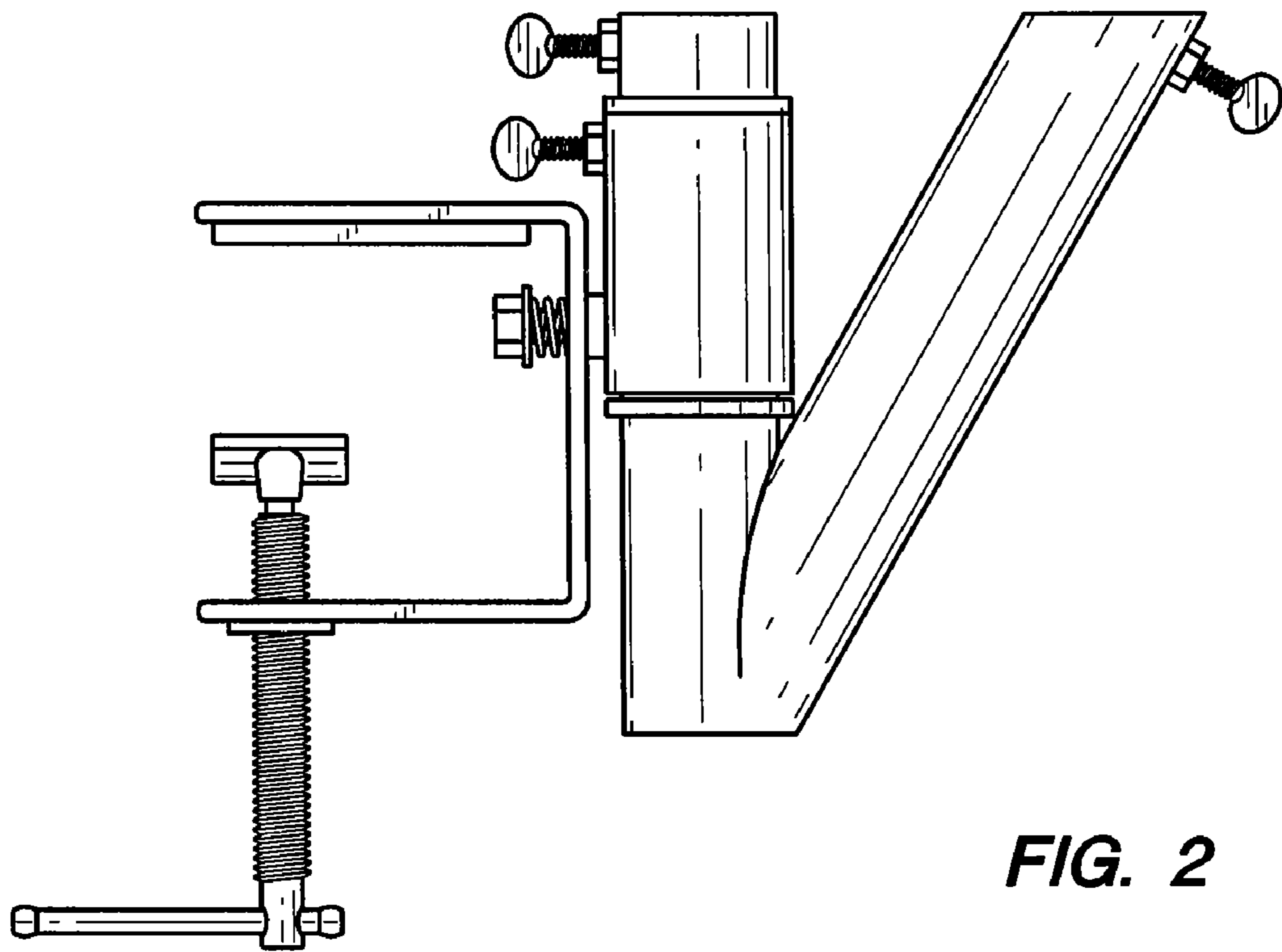


FIG. 2

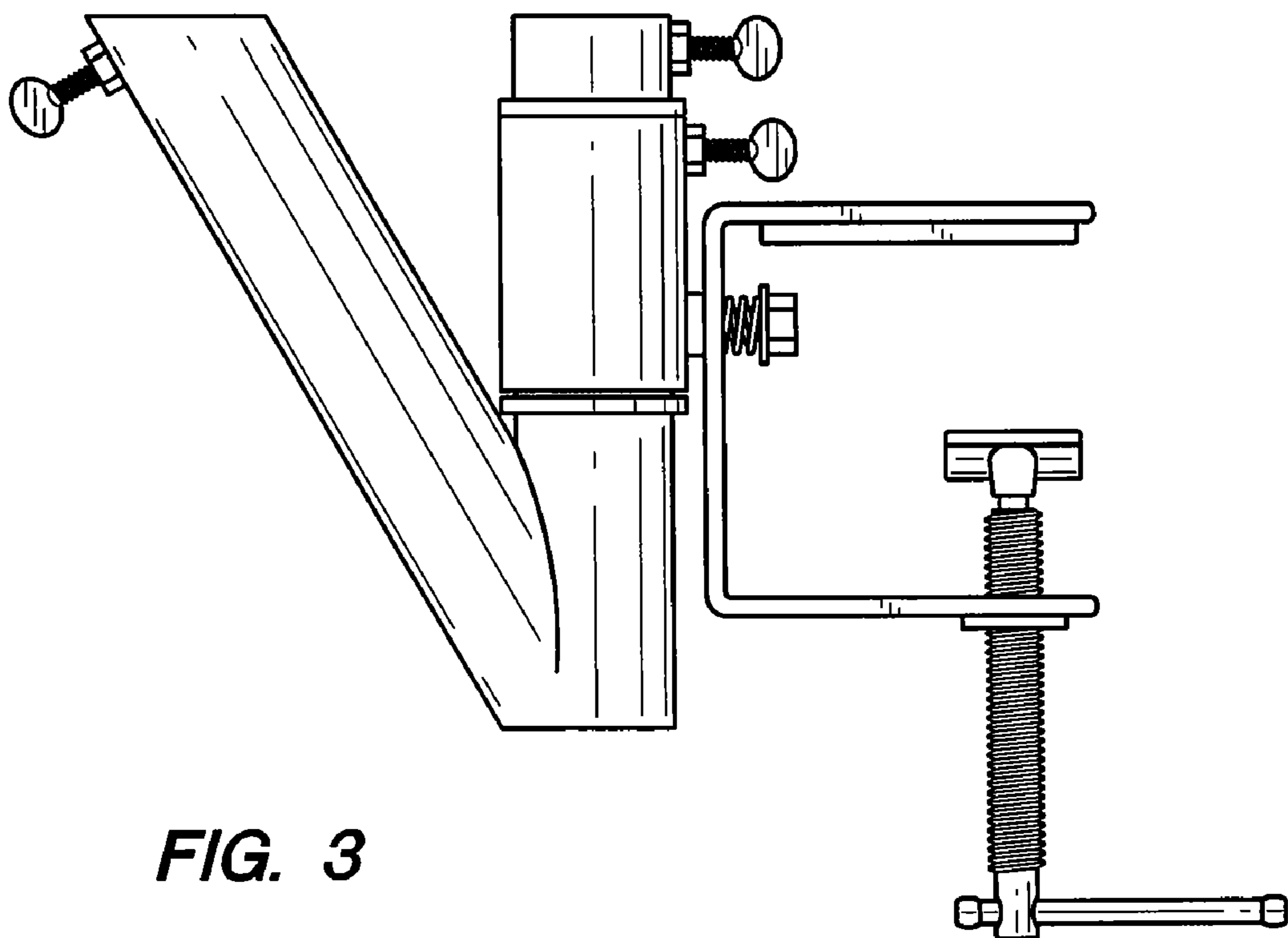


FIG. 3

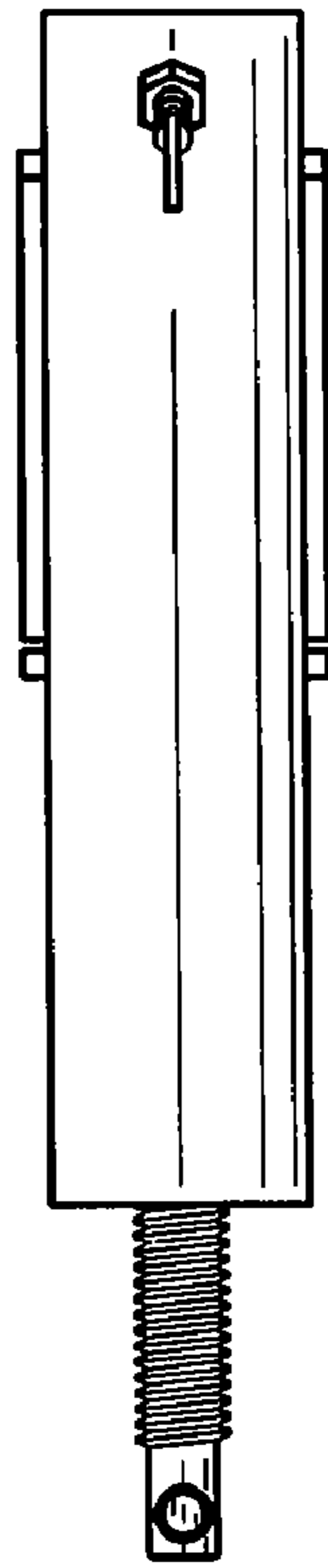


FIG. 4

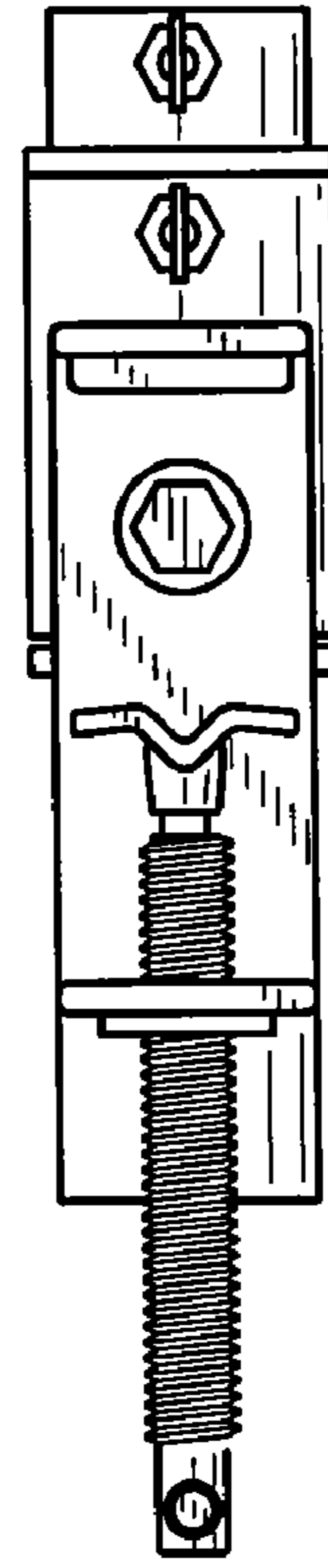


FIG. 5

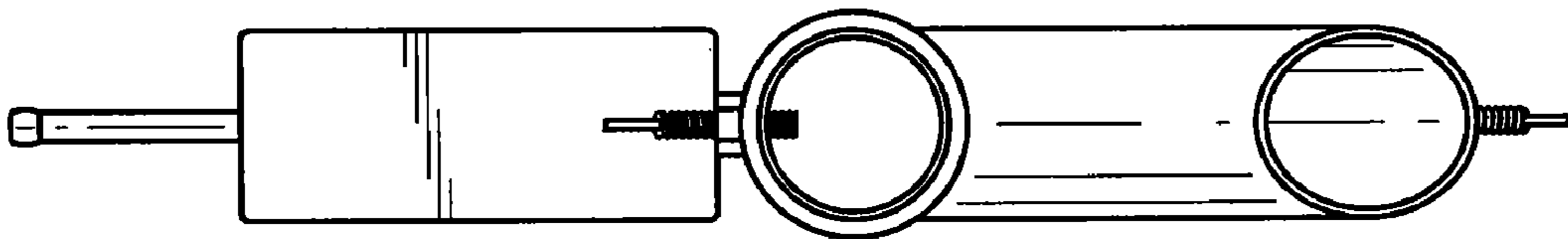


FIG. 6

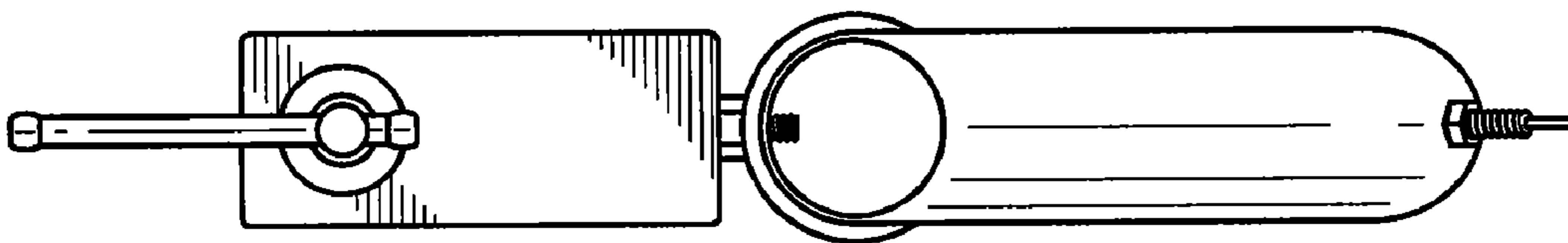


FIG. 7