



US00D629280S

(12) **United States Design Patent**  
**Plato**

(10) **Patent No.:** **US D629,280 S**

(45) **Date of Patent:** **\*\* Dec. 21, 2010**

(54) **LOCK**

D433,314 S \* 11/2000 Mimplitch et al. .... D8/346  
6,298,694 B1 10/2001 Knoll

(75) Inventor: **Lea Marie Plato**, Milwaukee, WI (US)

(Continued)

(73) Assignee: **Master Lock Company LLC**, Oak  
Creek, WI (US)

**OTHER PUBLICATIONS**

(\*\*) Term: **14 Years**

Printout from Office of harmonization in the Internal Market, Design  
No. 000835244-0001, printed Jul. 28, 2009, [http://oami/europa.eu/  
RCDOnline/RequestManager?print=1](http://oami/europa.eu/RCDOnline/RequestManager?print=1).

(21) Appl. No.: **29/326,041**

*Primary Examiner*—Prabhakar Deshmukh

*Assistant Examiner*—Derrick Holland

(22) Filed: **Oct. 10, 2008**

(74) *Attorney, Agent, or Firm*—Calfee, Halter & Griswold  
LLP

(51) **LOC (9) Cl.** ..... **08-07**

(52) **U.S. Cl.** ..... **D8/334**

(58) **Field of Classification Search** ..... D8/334,  
D8/330, 331, 332, 333, 335, 336, 337, 338,  
D8/339, 341, 342, 343, 346, 347; 70/14,  
70/20, 21, 22, 23, 24, 25, 27, 28, 31, 32,  
70/39, 41, 52–56, 86, 314, 423, DIG. 43,  
70/DIG. 56

(57) **CLAIM**

I claim the ornamental design for a lock, as shown and  
described.

See application file for complete search history.

**DESCRIPTION**

(56) **References Cited**

FIG. 1 is a front perspective view of a lock showing my new  
design;

**U.S. PATENT DOCUMENTS**

FIG. 2 is a top view of the lock of FIG. 1;

228,619	A	6/1880	Estes et al.	
745,064	A	11/1903	Katzenberger	
825,735	A	7/1906	Katzenberger	
3,756,046	A	9/1973	Jeh	
3,952,559	A	4/1976	Atkinson	
4,224,813	A *	9/1980	Hampton	70/51
4,422,311	A	12/1983	Zabel et al.	
4,476,698	A	10/1984	Treslo	
D276,408	S *	11/1984	Zabel et al.	D8/334
D397,026	S *	8/1998	Drake	D8/346
D406,043	S	2/1999	LeClaire	
D416,467	S *	11/1999	Castellanos et al.	D8/334
D425,398	S	5/2000	Fiegner et al.	
D426,763	S *	6/2000	Adler et al.	D8/334
D427,884	S *	7/2000	Castellanos et al.	D8/334

FIG. 3 is a front view of the lock of FIG. 1;

FIG. 4 is a rear view of the lock of FIG. 1;

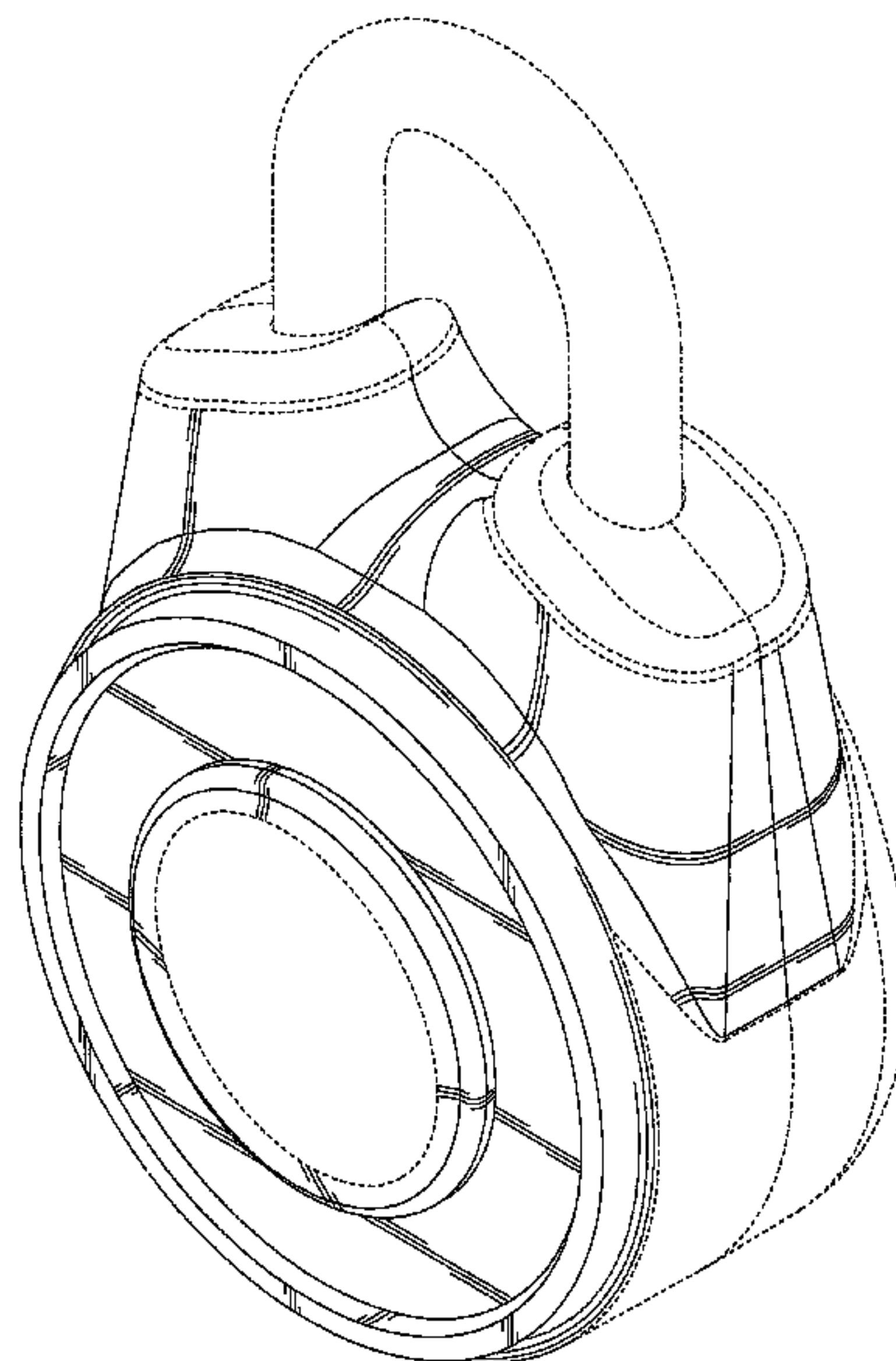
FIG. 5 is a bottom view of the lock of FIG. 1;

FIG. 6 is a right side view of the lock of FIG. 1; and,

FIG. 7 is a left side view of the lock of FIG. 1.

The broken lines shown are for illustrative purposes only and  
form no part of the claim. Where broken lines abut a claimed  
surface it is understood that those broken lines represent an  
unclaimed boundary between claimed and unclaimed sur-  
faces. None of the broken lines form any part of the claimed  
design.

**1 Claim, 4 Drawing Sheets**



# US D629,280 S

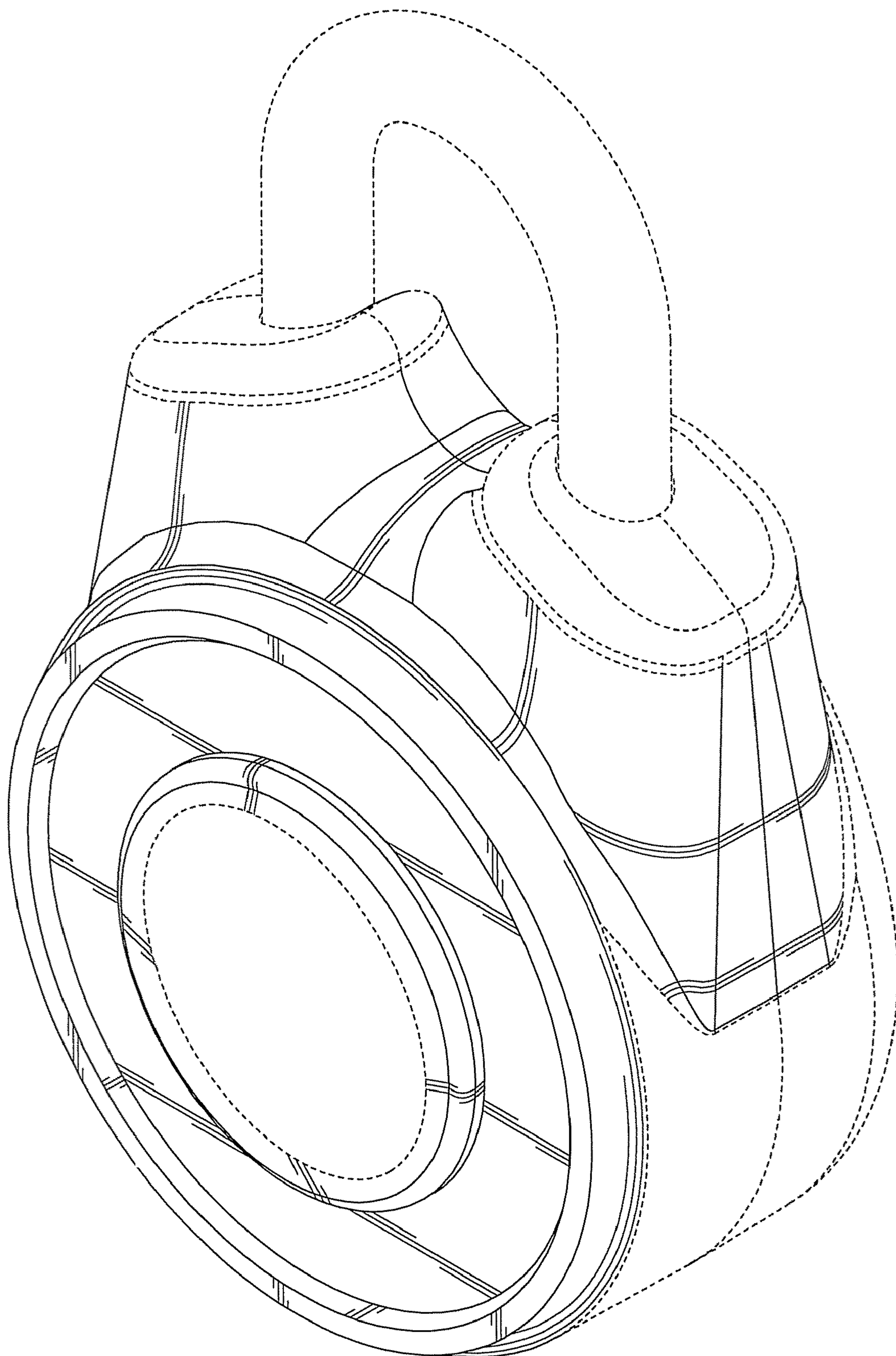
Page 2

---

## U.S. PATENT DOCUMENTS

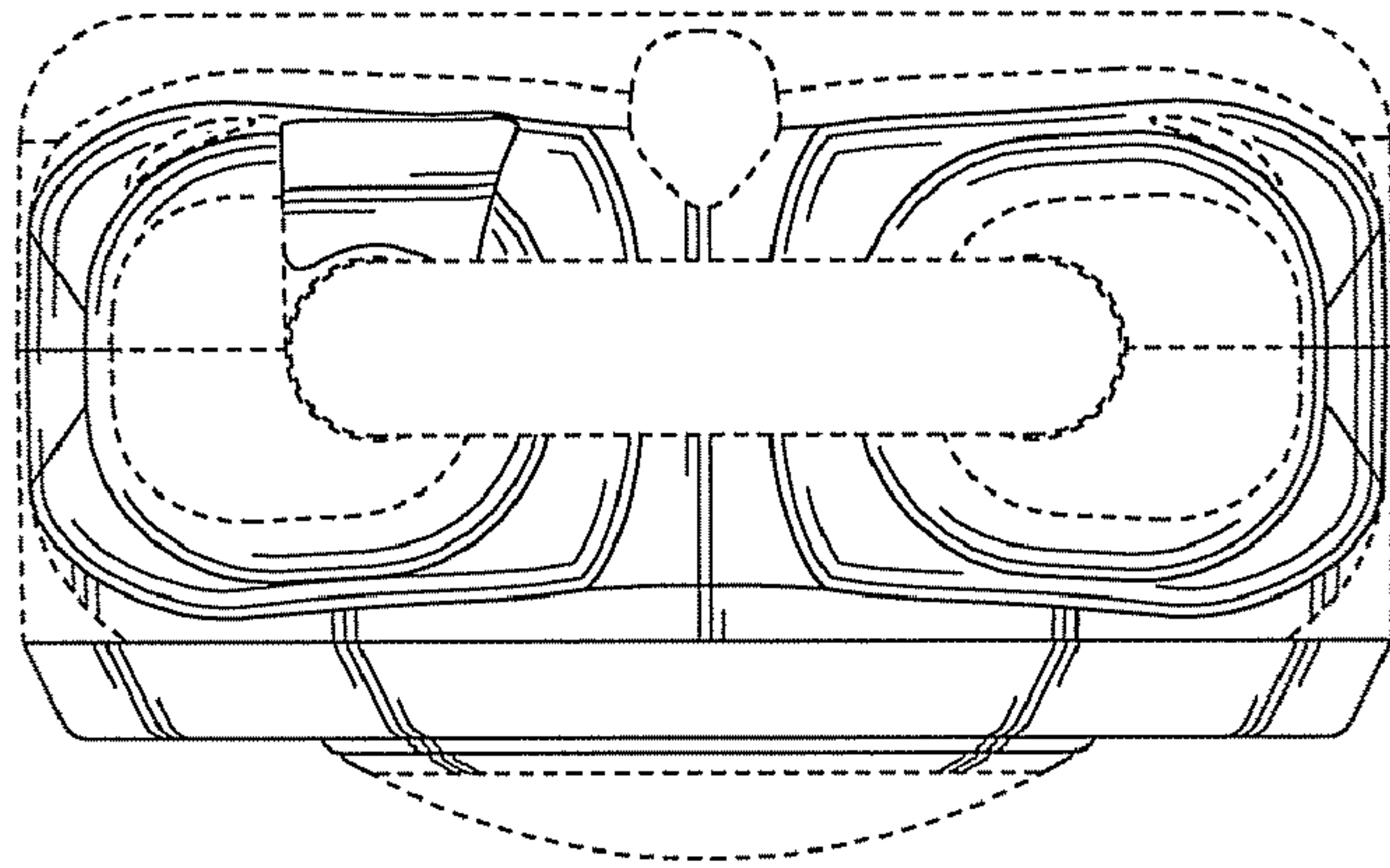
D455,639 S *	4/2002	McDaid et al.	.....	D8/346	D528,401 S *	9/2006	Ruan	.....	D8/343
D476,216 S *	6/2003	Vito	.....	D8/334	D533,764 S *	12/2006	Heppner	.....	D8/343
6,718,803 B2 *	4/2004	Knoll	.....	70/26	D537,703 S *	3/2007	Kearns et al.	.....	D8/334
D512,900 S	12/2005	Tarter et al.			D541,228 S *	4/2007	Thursfield	.....	D13/168
D512,901 S *	12/2005	Haber	.....	D8/346	D541,630 S *	5/2007	Blomstrom et al.	.....	D8/334
6,993,943 B1 *	2/2006	Chang	.....	70/38 B	D545,177 S *	6/2007	Vito	.....	D8/343
D516,408 S	3/2006	Kearns et al.			D557,107 S	12/2007	Van Handel et al.		
D517,396 S	3/2006	Tarter et al.			D569,226 S *	5/2008	Brewster et al.	.....	D8/346
					D573,871 S	7/2008	Nave et al.		

\* cited by examiner

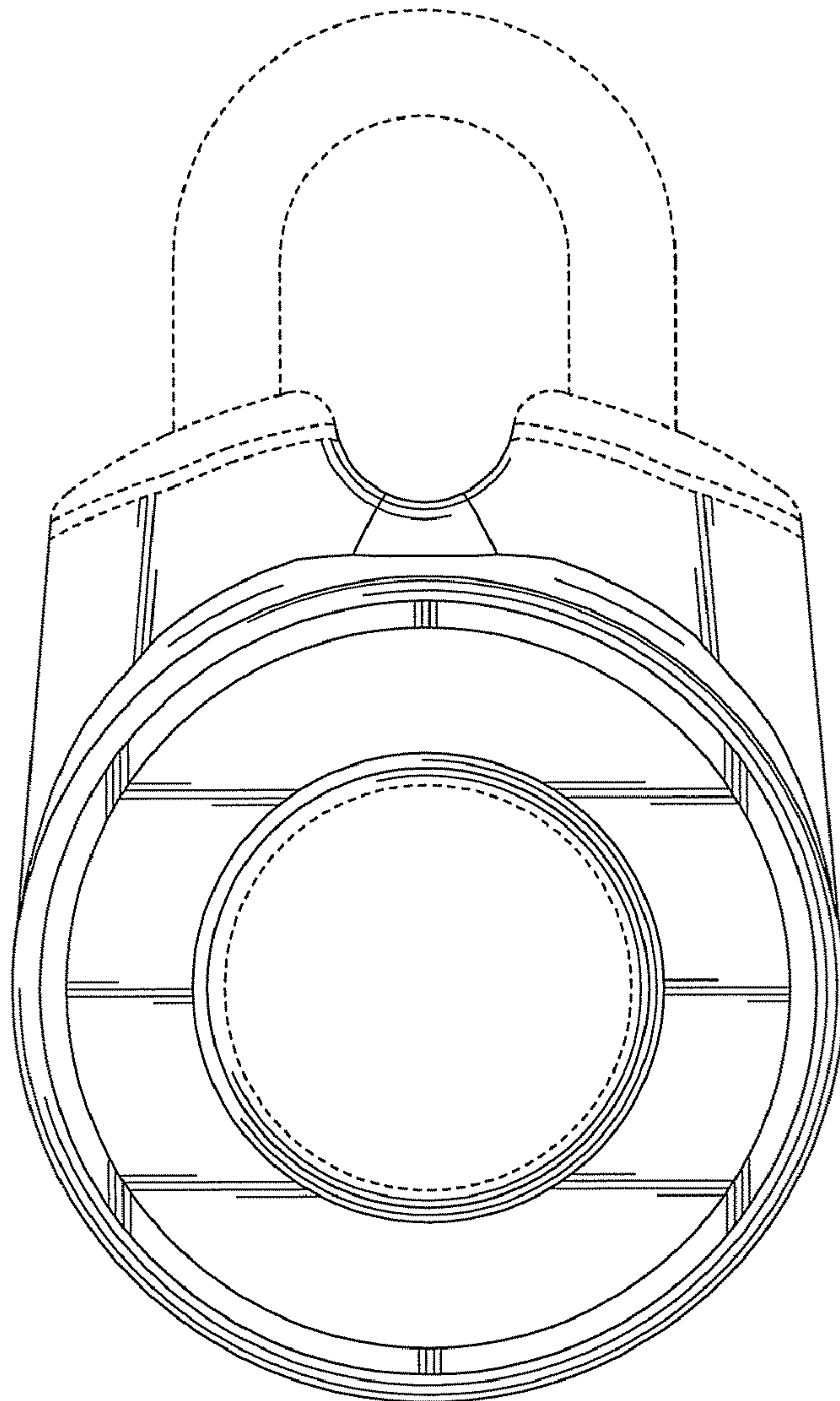


**FIG. 1**

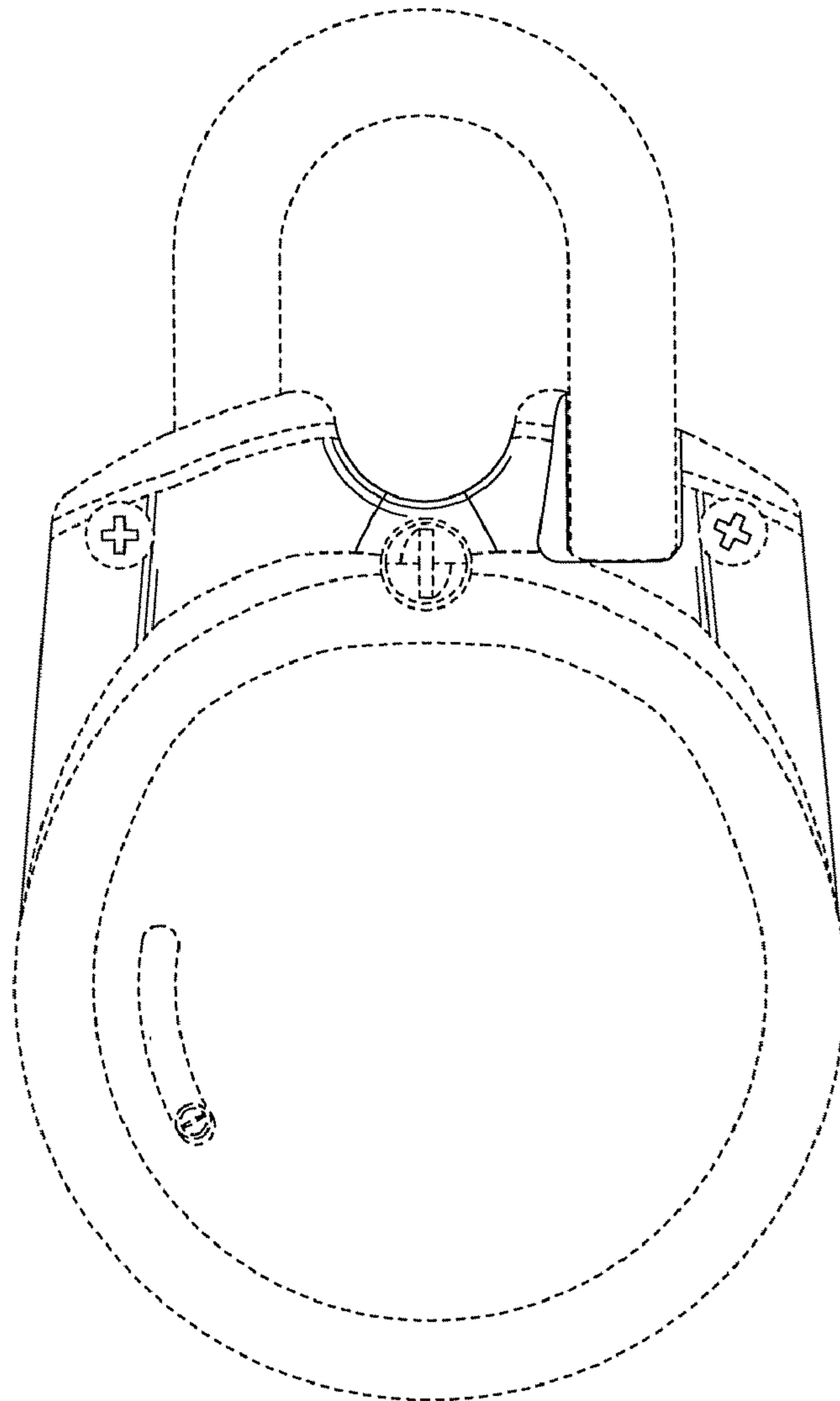




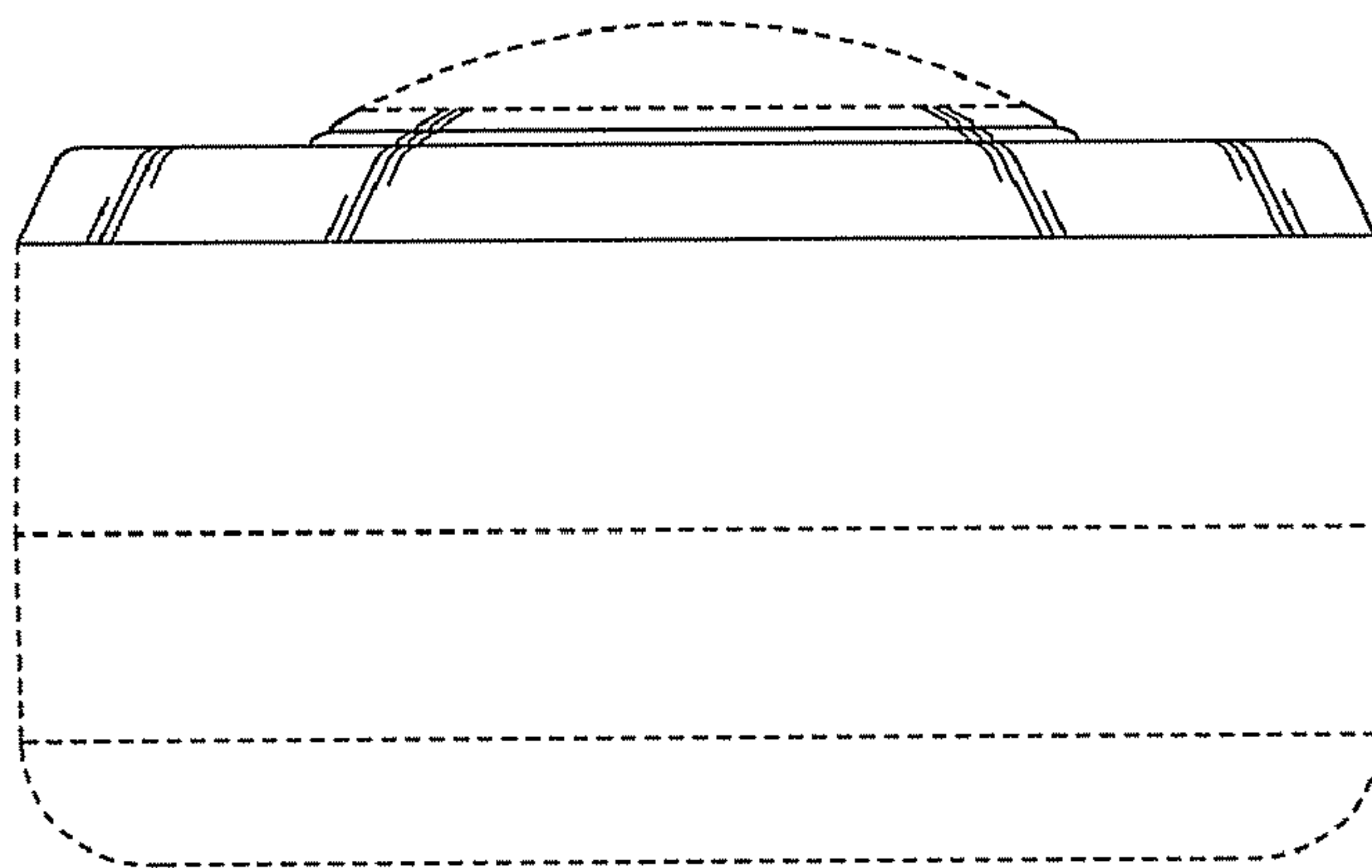
**FIG. 2**



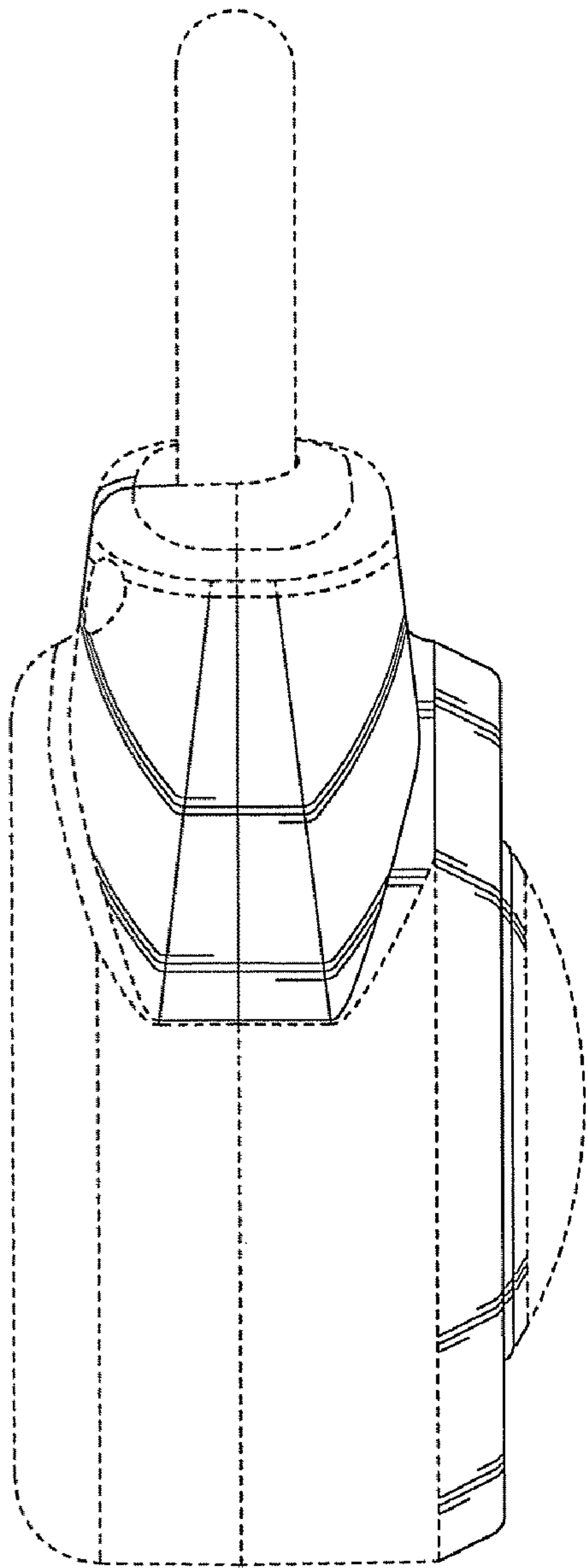
**FIG. 3**



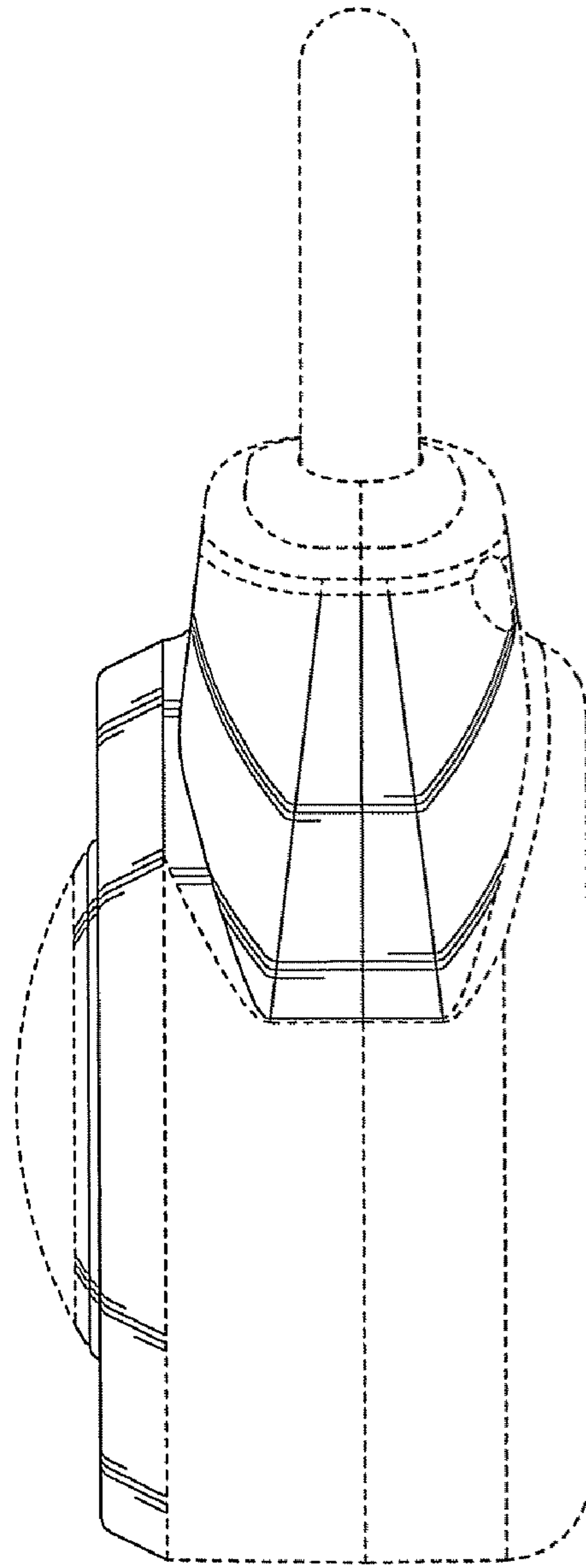
**FIG. 4**



**FIG. 5**



**FIG. 6**



**FIG. 7**