



US00D629279S

(12) **United States Design Patent**
Koskela

(10) **Patent No.:** **US D629,279 S**

(45) **Date of Patent:** **** Dec. 21, 2010**

(54) **CABINET KNOB**

(76) Inventor: **Lisa K. Koskela**, 51 Caledonia St. NE.,
Grand Rapids, MI (US) 49505-4901

(**) Term: **14 Years**

(21) Appl. No.: **29/355,370**

(22) Filed: **Feb. 5, 2010**

(51) **LOC (9) Cl.** **08-06**

(52) **U.S. Cl.** **D8/310**

(58) **Field of Classification Search** D8/300,
D8/307, 310, DIG. 1, DIG. 2; 16/110.1,
16/414, 415, 416, 417, 418, 419, 420, 421,
16/441; D6/578, 580; 292/336.3, 347; D11/39,
D11/107, 222; D23/252

See application file for complete search history.

(56) **References Cited**

U.S. PATENT DOCUMENTS

D21,183 S *	11/1891	Hess et al.	D8/312
D192,179 S *	2/1962	Aleks	D8/310
D207,482 S *	4/1967	Carsello	D8/310
D214,867 S *	8/1969	Holmes et al.	D8/310
D392,174 S *	3/1998	Zeiss	D8/305
D442,462 S *	5/2001	Dewald et al.	D8/310
D570,183 S *	6/2008	Hanes	D8/305

D579,749 S * 11/2008 Jou D8/310
D585,263 S * 1/2009 Jou D8/305

* cited by examiner

Primary Examiner—Paula Greene

(74) *Attorney, Agent, or Firm*—Economou IP Law Firm;
Vangelis Economou

(57) **CLAIM**

The ornamental design for a cabinet knob, as shown and described.

DESCRIPTION

FIG. 1 is a perspective view of the cabinet knob showing my new design;

FIG. 2 is a reduced front elevational view thereof;

FIG. 3 is a back elevational view thereof;

FIG. 4 is a right side view thereof;

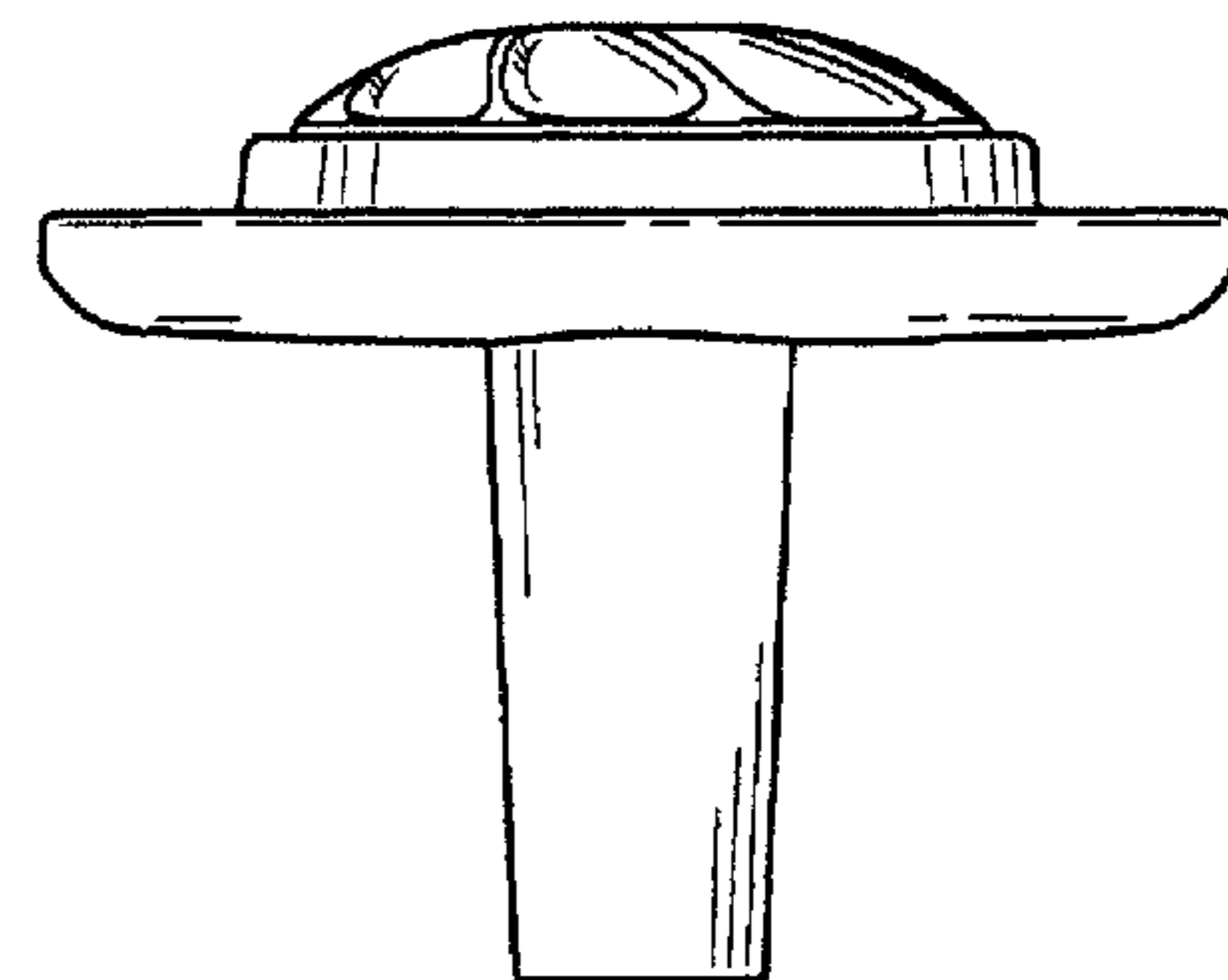
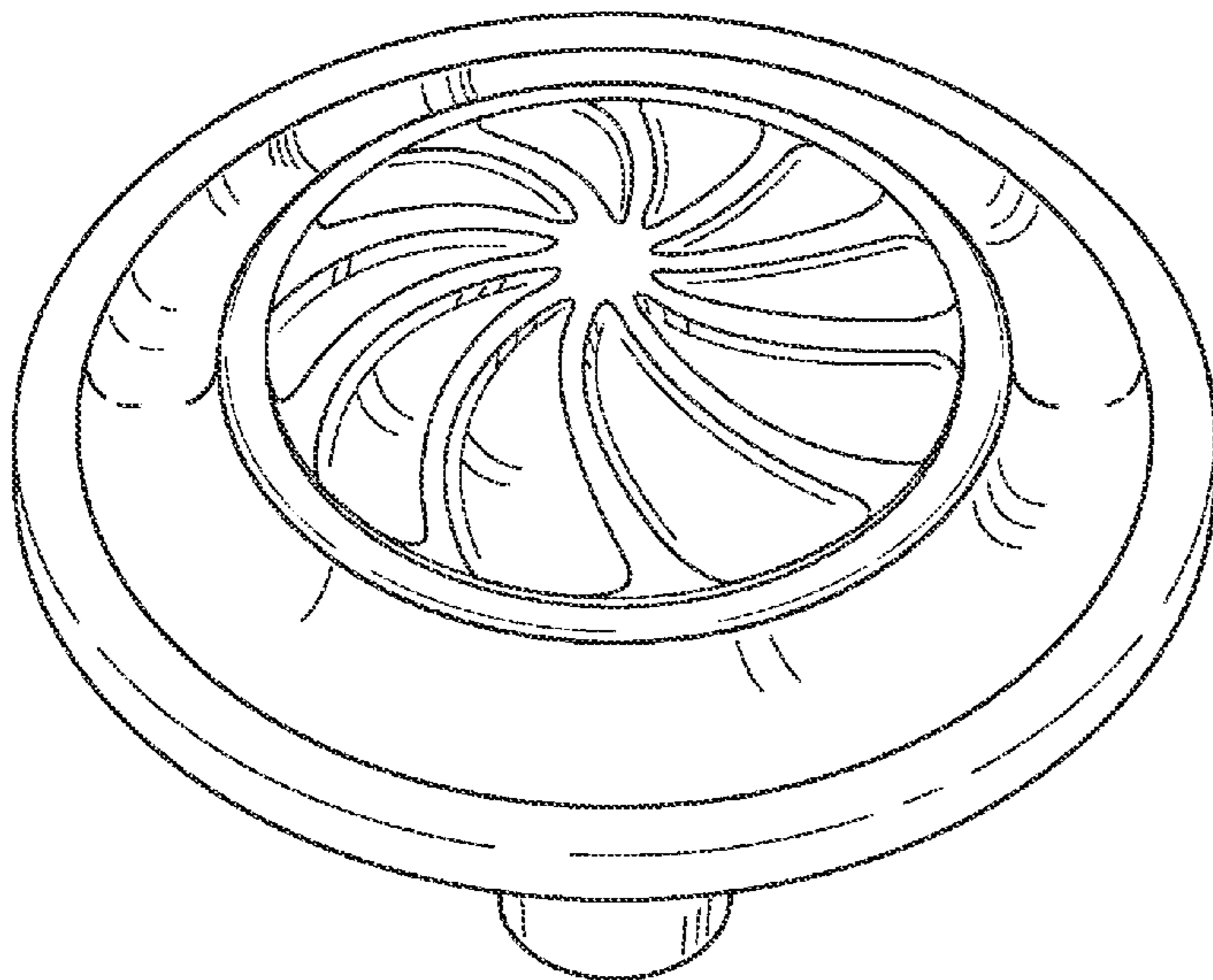
FIG. 5 is a left side view thereof;

FIG. 6 is a top view thereof; and,

FIG. 7 is a bottom view thereof, the bottom of the cabinet handle stem is flat.

The broken line showing of the circular element in FIG. 7 forms no part of the claimed design.

1 Claim, 2 Drawing Sheets



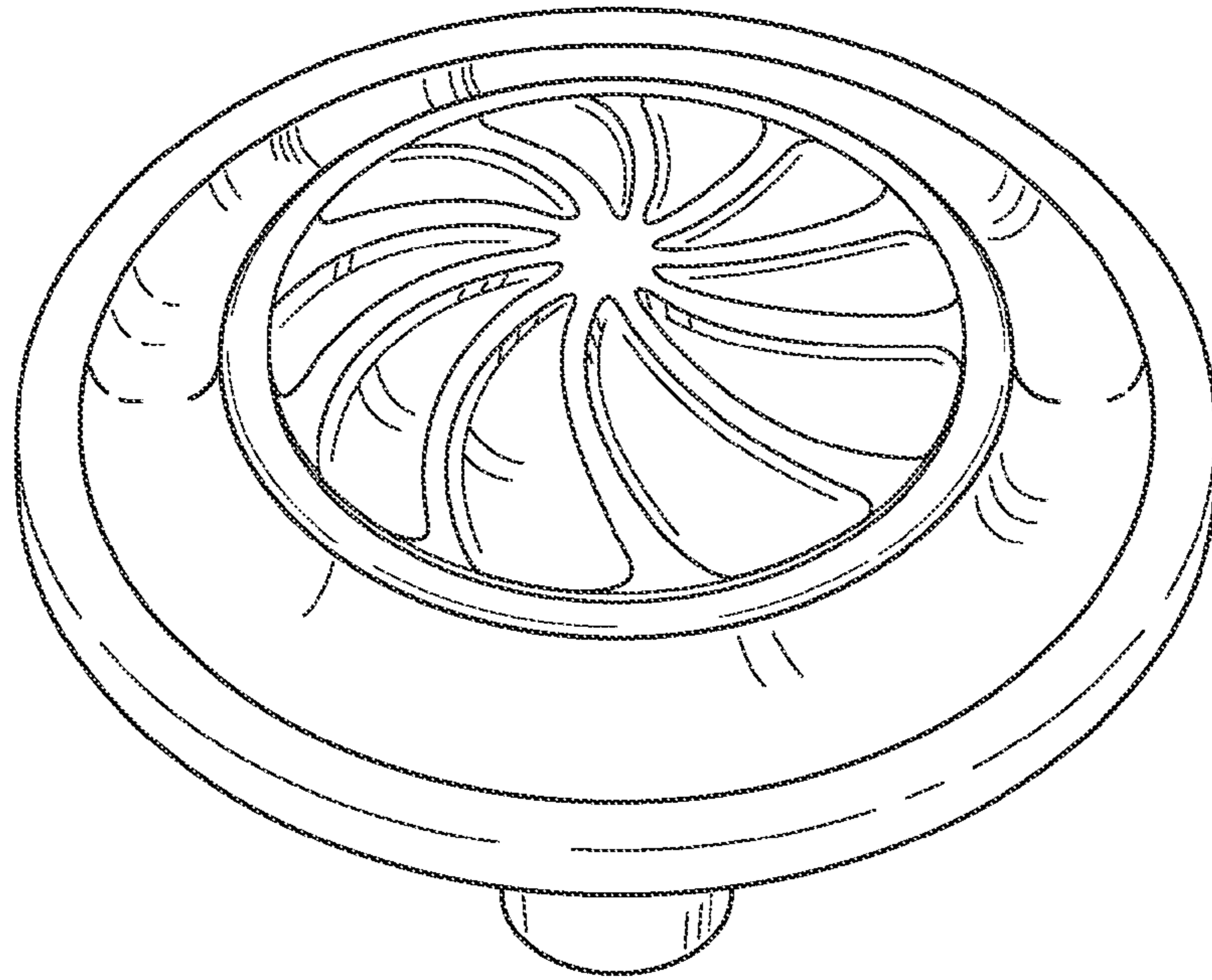


FIG. 1

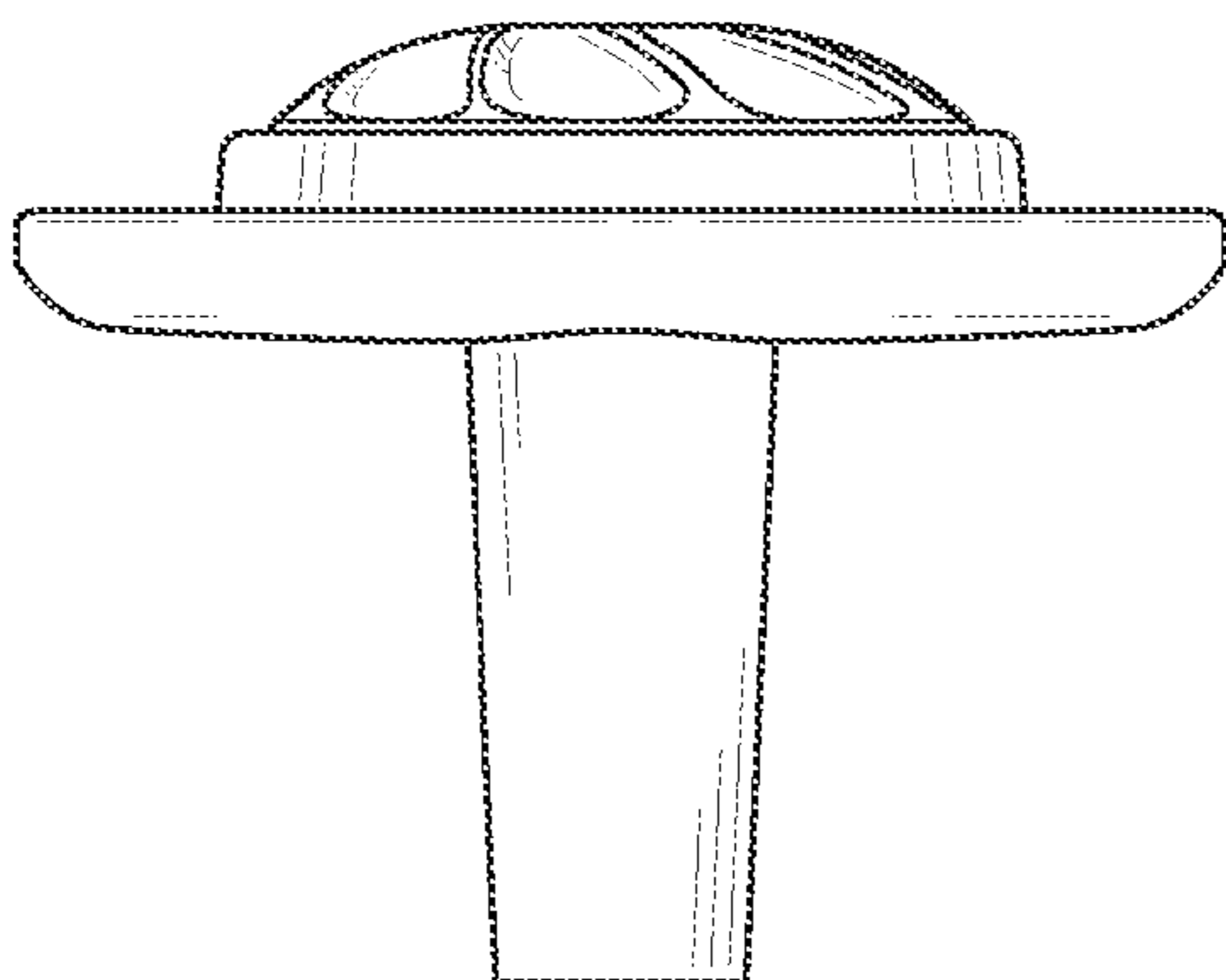


FIG. 2

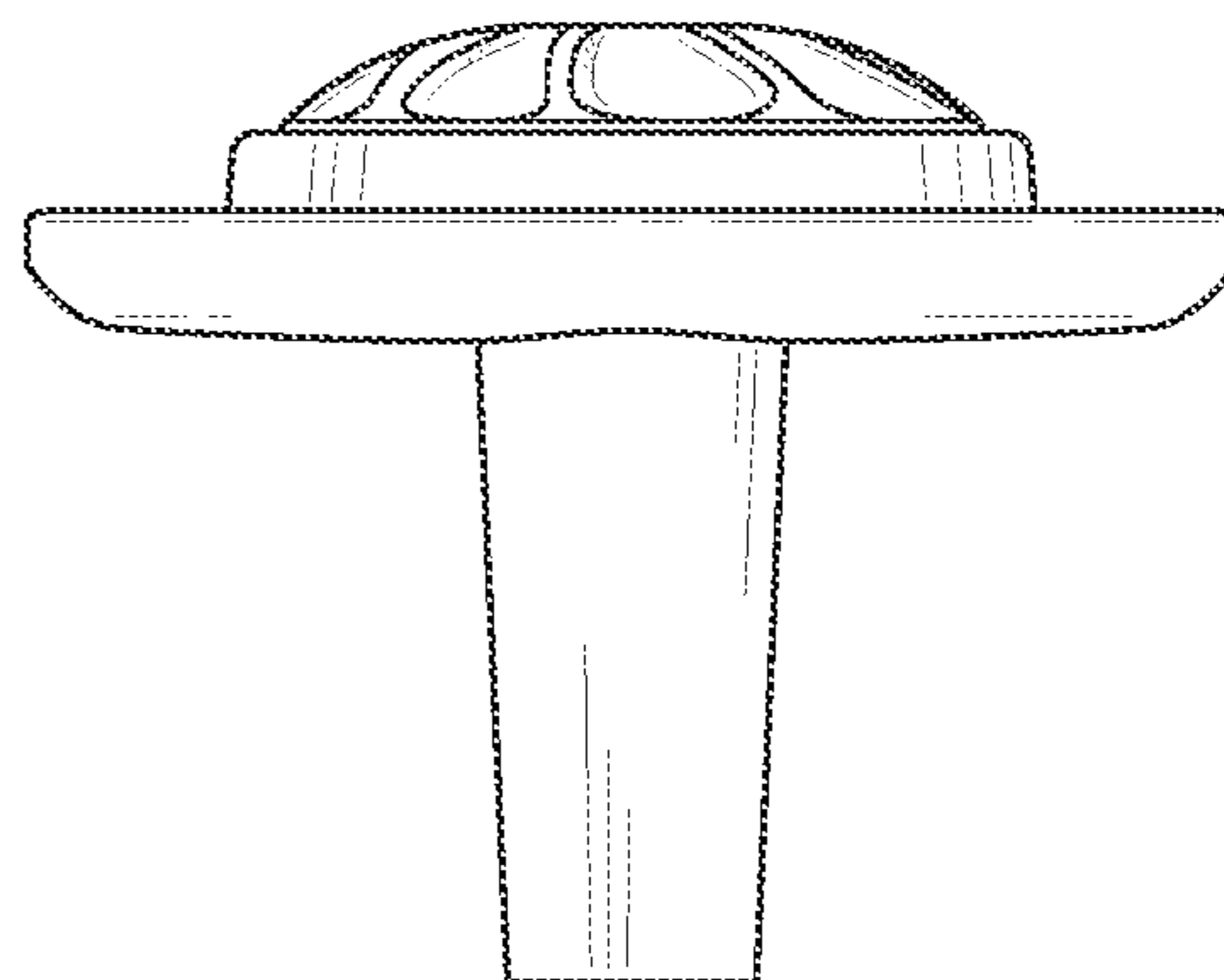


FIG. 3

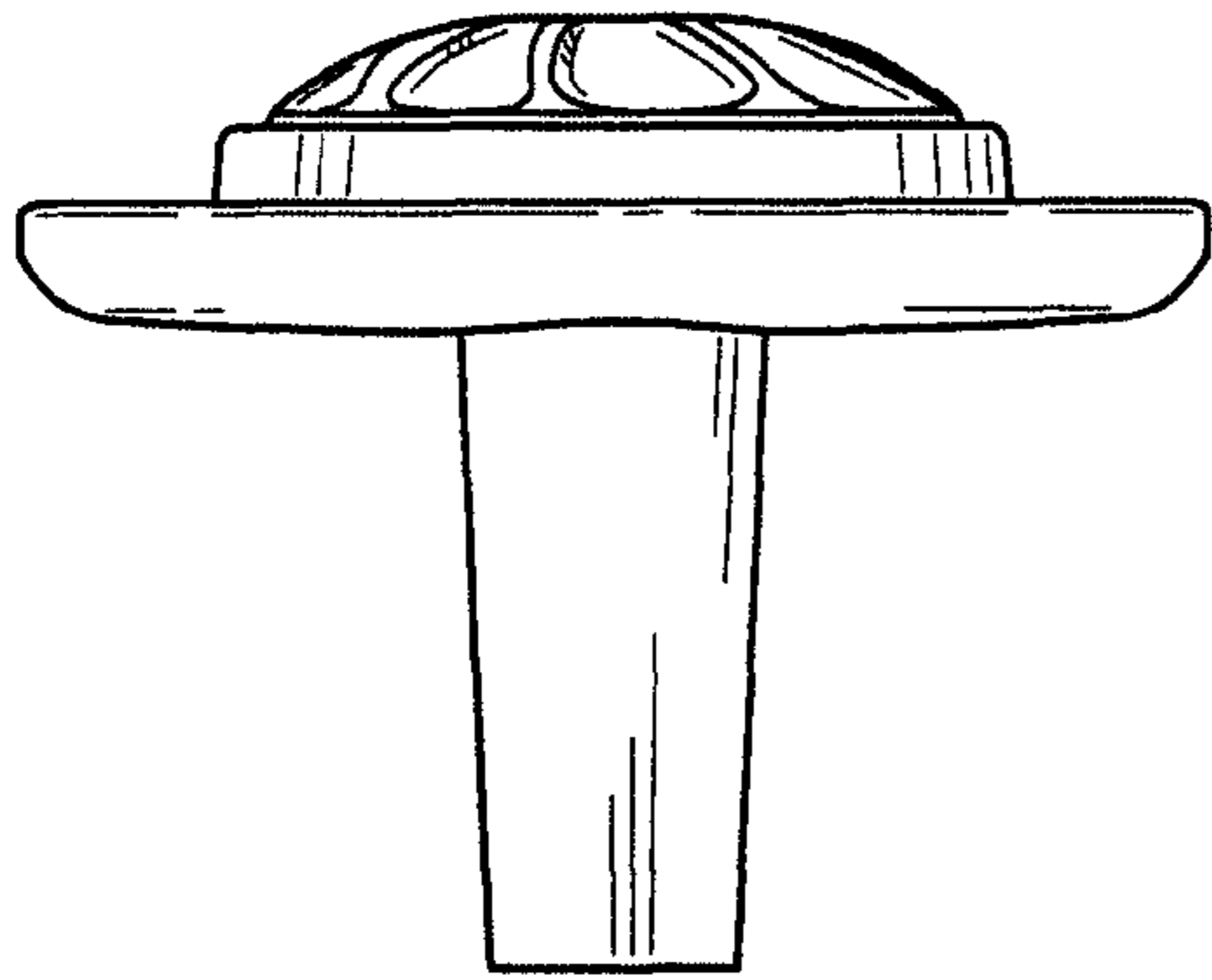


FIG. 4

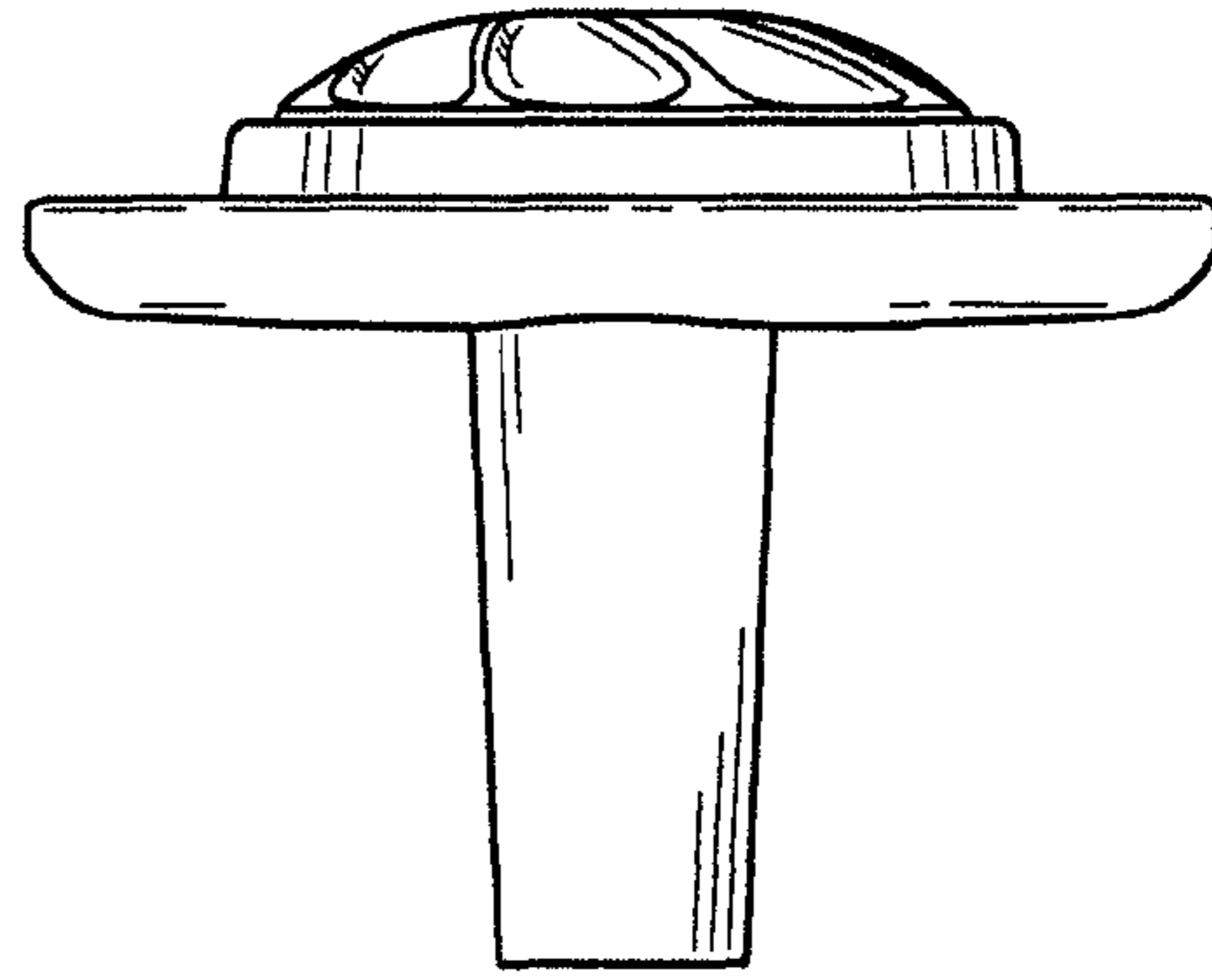


FIG. 5

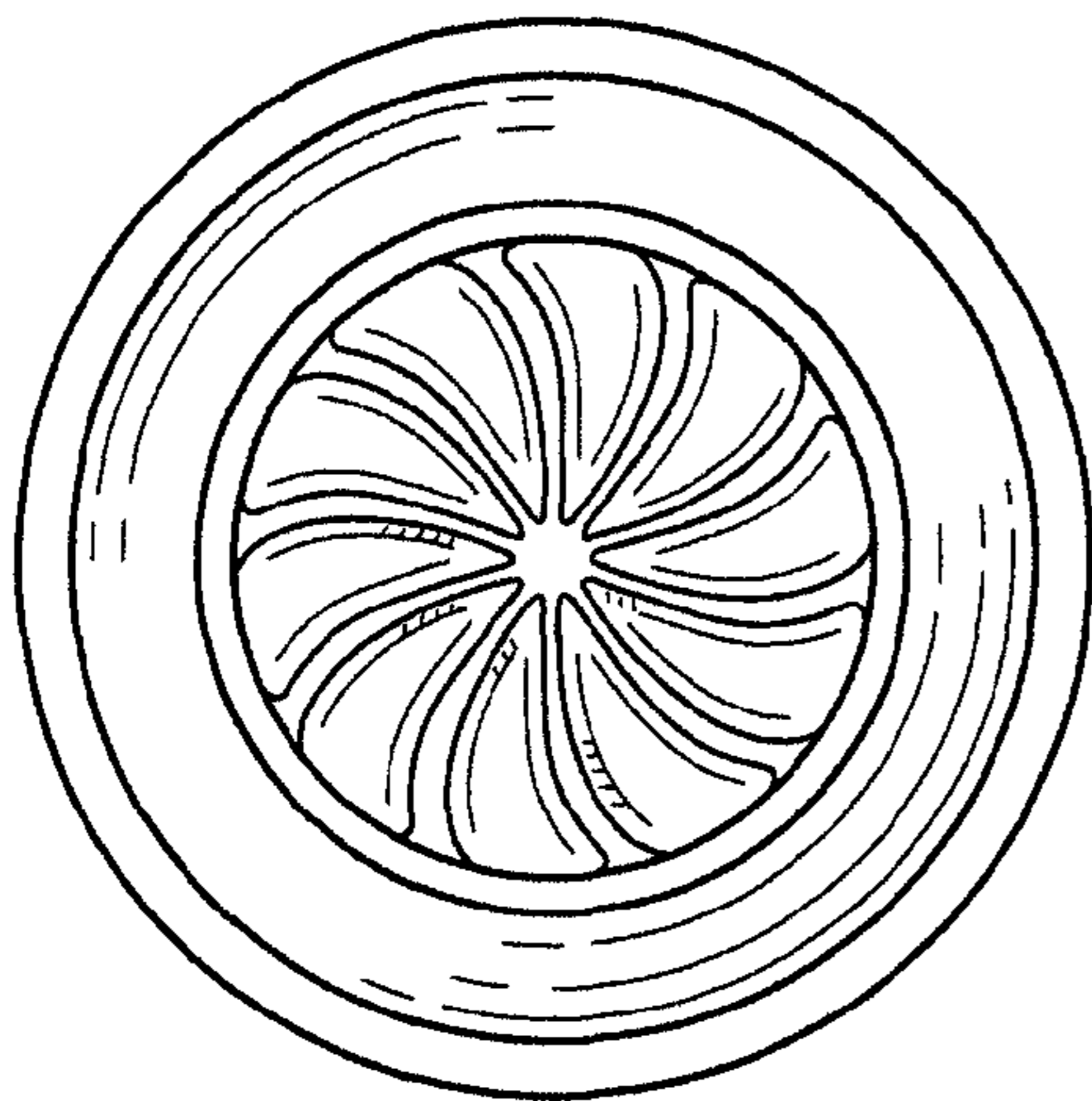


FIG. 6

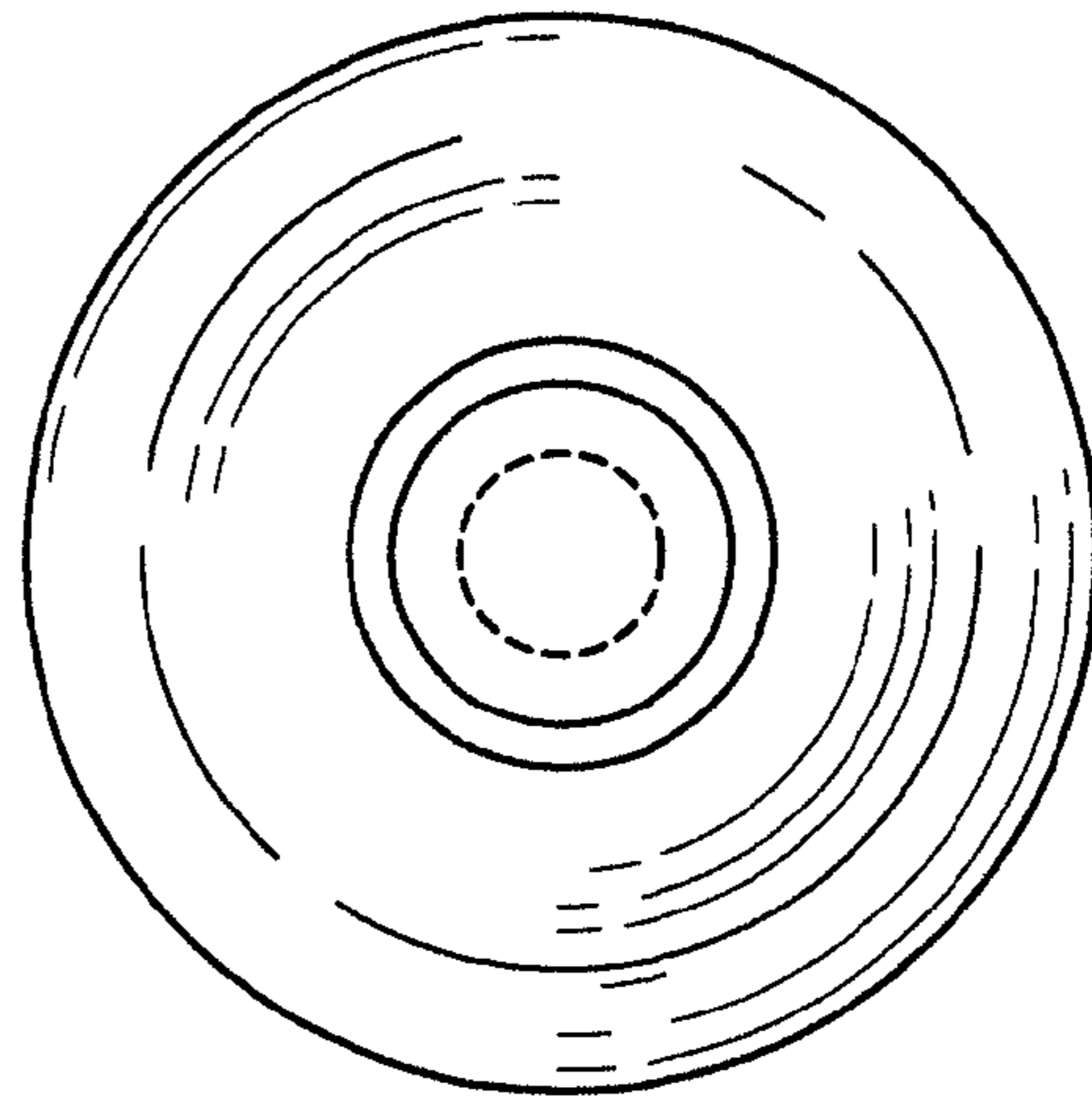


FIG. 7