



US00D629278S

(12) **United States Design Patent**
Koskela

(10) **Patent No.:** **US D629,278 S**

(45) **Date of Patent:** **** Dec. 21, 2010**

(54) **CABINET KNOB**

(75) Inventor: **Lisa K. Koskela**, Grand Rapids, MI
(US)

(73) Assignee: **Belwith Products, LLC**, Grandville, MI
(US)

(**) Term: **14 Years**

(21) Appl. No.: **29/354,913**

(22) Filed: **Jan. 29, 2010**

(51) **LOC (9) Cl.** **08-06**

(52) **U.S. Cl.** **D8/310**

(58) **Field of Classification Search** D8/300,
D8/307, 310, DIG. 1; 16/110.1, 414, 415,
16/416, 417, 418, 419, 420, 421, 441; D6/578,
D6/580; 292/336.3, 347; D11/39, 107, 222;
D23/252

See application file for complete search history.

(56) **References Cited**

U.S. PATENT DOCUMENTS

329,321	A	*	10/1885	Leger et al.	292/347
D47,069	S	*	3/1915	Burns	D8/307
D203,029	S	*	11/1965	Tintary et al.	D8/310
D211,935	S	*	8/1968	Algoren	D8/310
D219,422	S	*	12/1970	Tenger	D8/310
D263,554	S	*	3/1982	Wasbrough et al.	D8/301
D274,690	S	*	7/1984	Cesaroni	D8/310

D418,387	S	*	1/2000	O'Neil	D8/307
D526,883	S	*	8/2006	Gilbert	D8/312
D566,516	S	*	4/2008	Tor Verges	D8/307
D568,712	S	*	5/2008	Ricereto	D8/305
D602,330	S	*	10/2009	Hanes	D8/307

* cited by examiner

Primary Examiner—Paula Greene

(74) *Attorney, Agent, or Firm*—Economou IP Law Firm;
Vangelis Economou

(57) **CLAIM**

The ornamental design for a cabinet knob, as shown and described.

DESCRIPTION

FIG. 1 is a perspective view of the cabinet knob showing my new design;

FIG. 2 is a reduced front elevational view thereof;

FIG. 3 is a back elevational view thereof;

FIG. 4 is a right side view thereof;

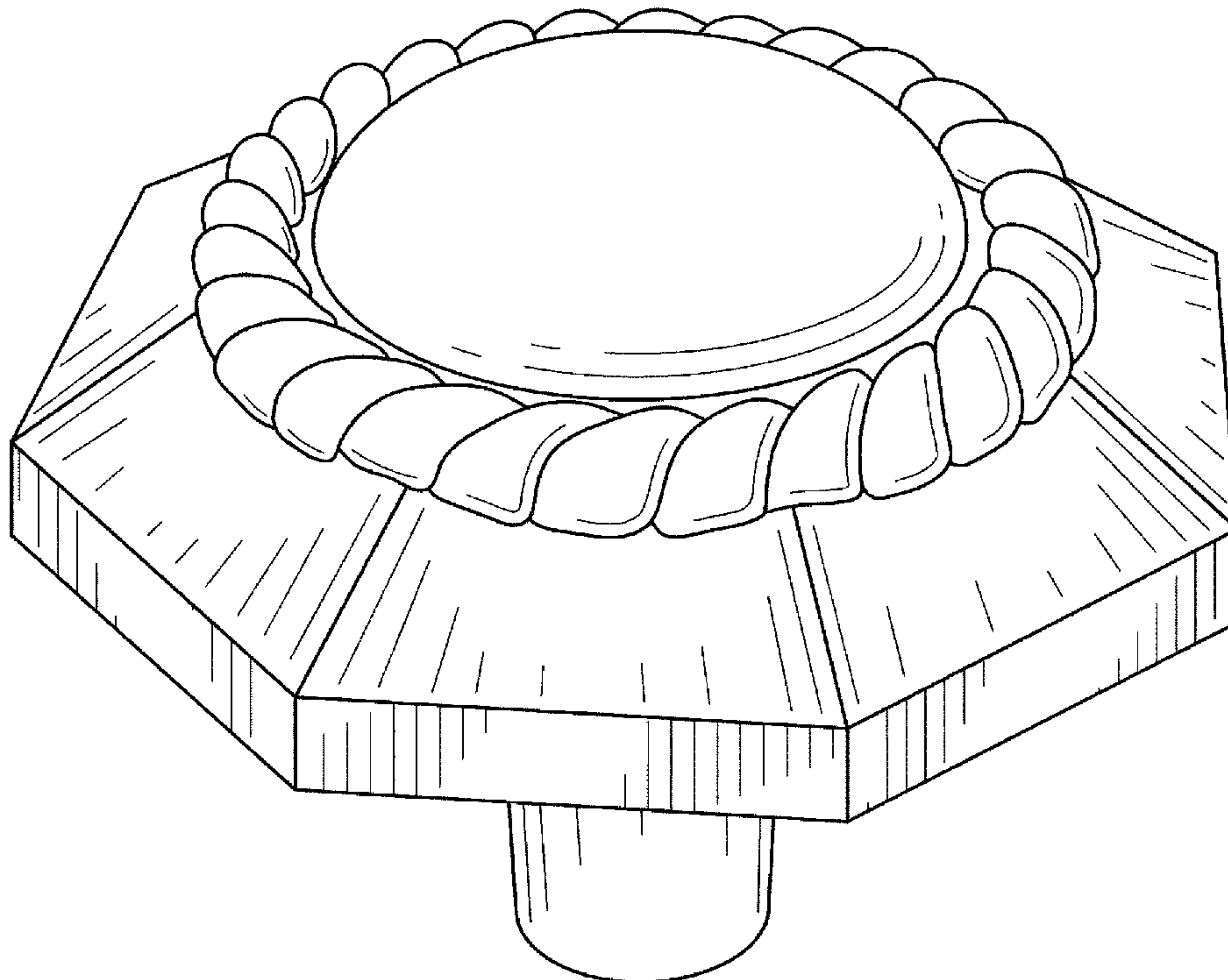
FIG. 5 is a bottom view thereof;

FIG. 6 is a left side view thereof; and,

FIG. 7 is a top view thereof.

The broken line showing of the circular element in FIG. 5 forms no part of the claimed design.

1 Claim, 3 Drawing Sheets



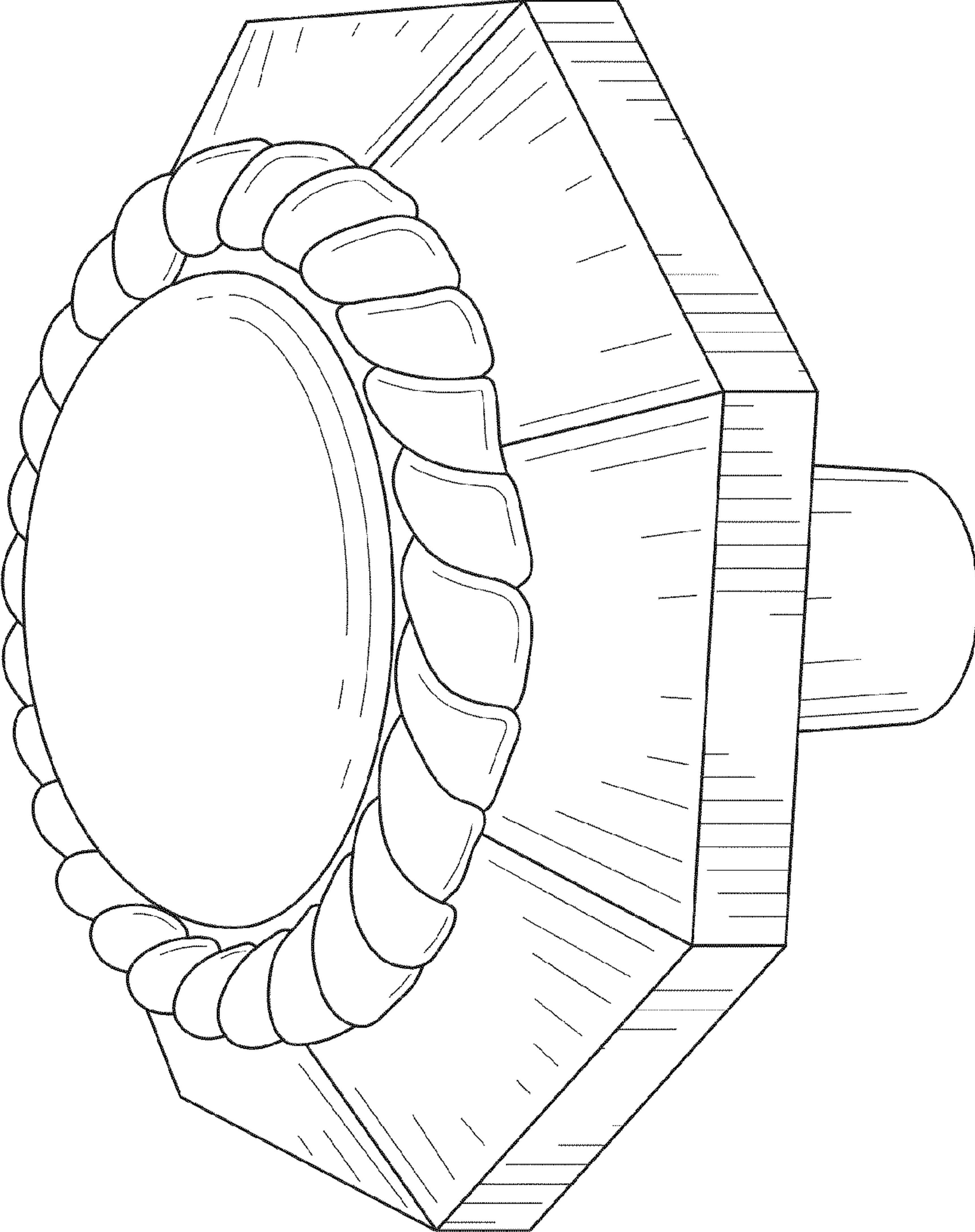


FIG. 1

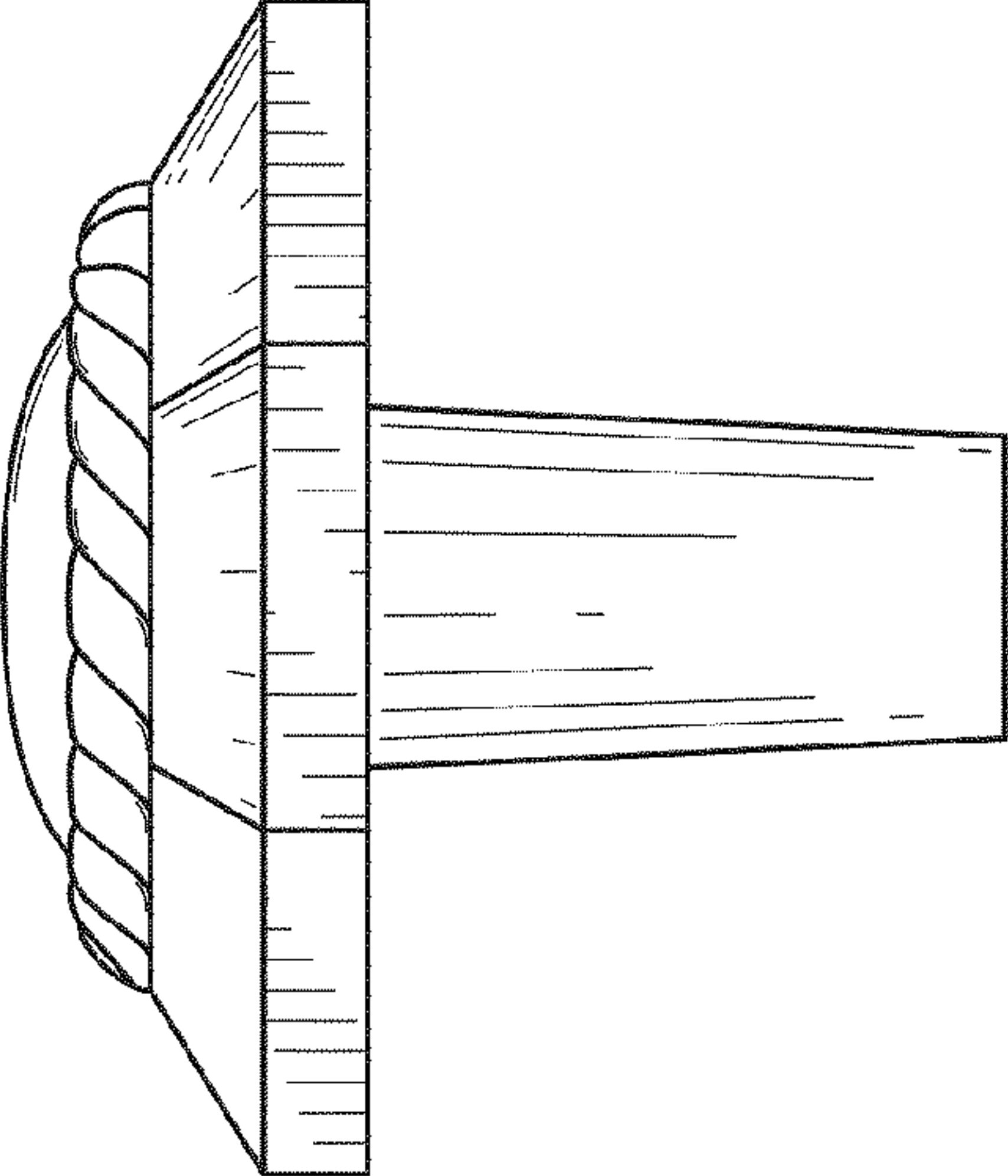


FIG. 4

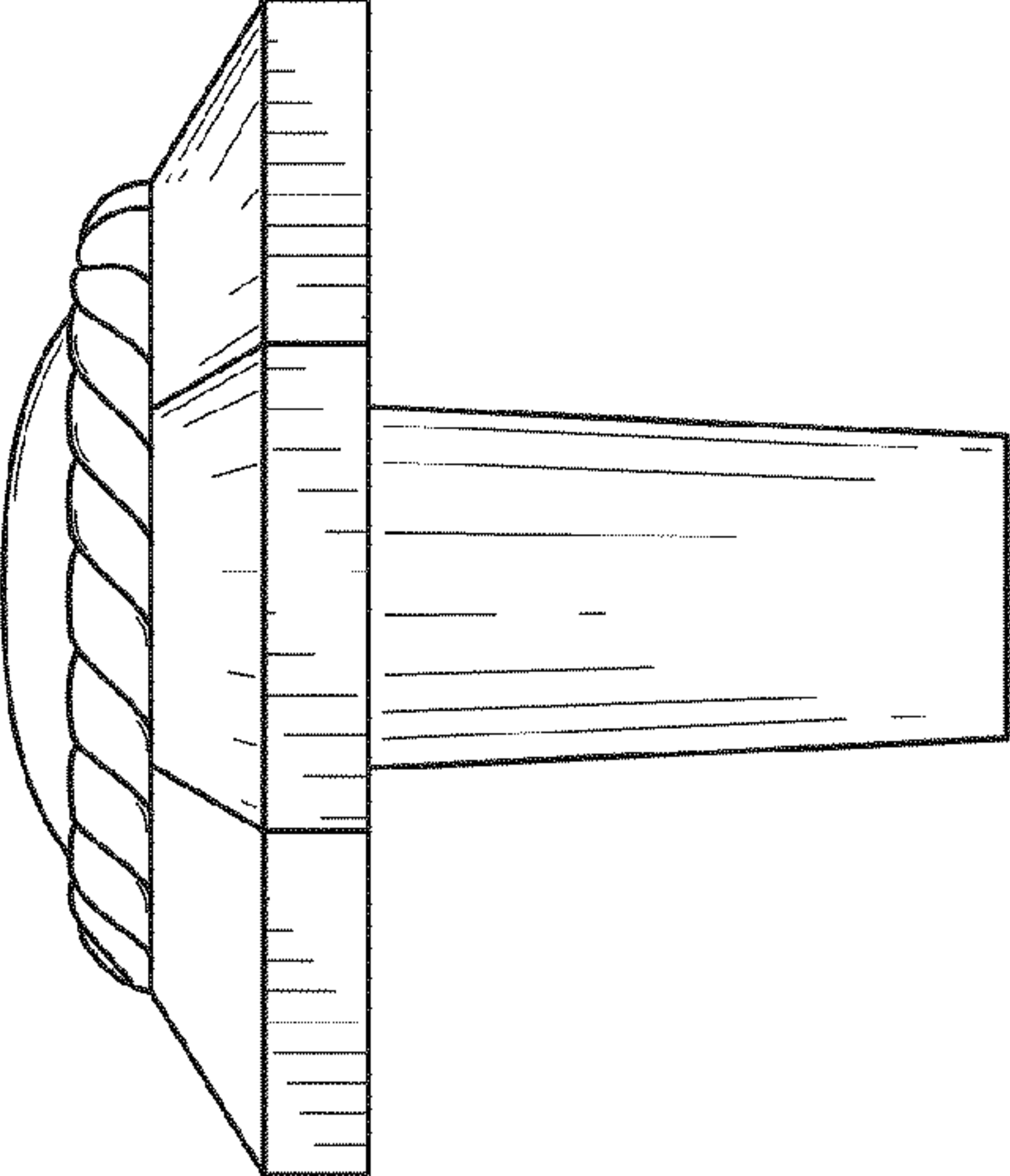


FIG. 2

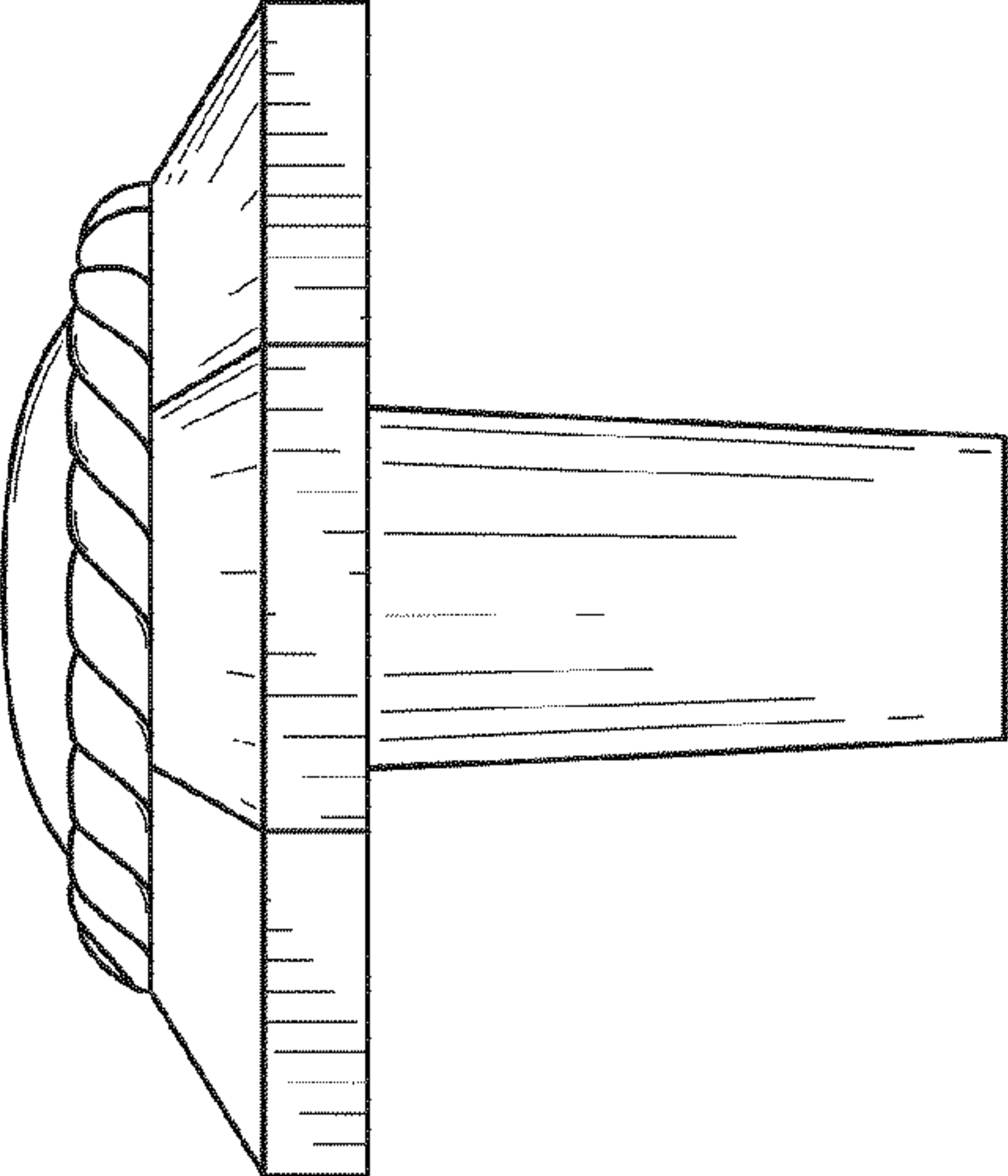


FIG. 3

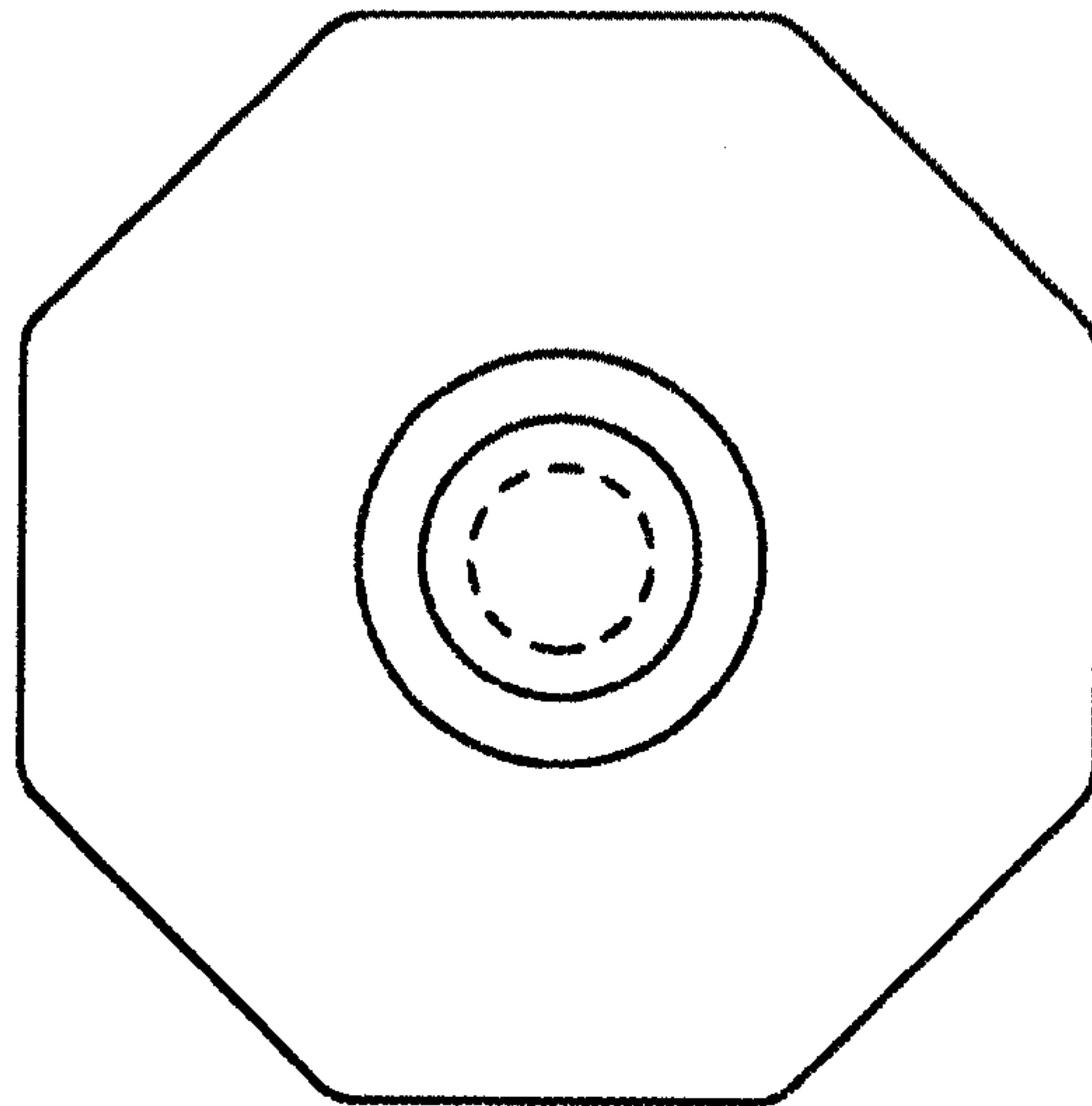


FIG. 5

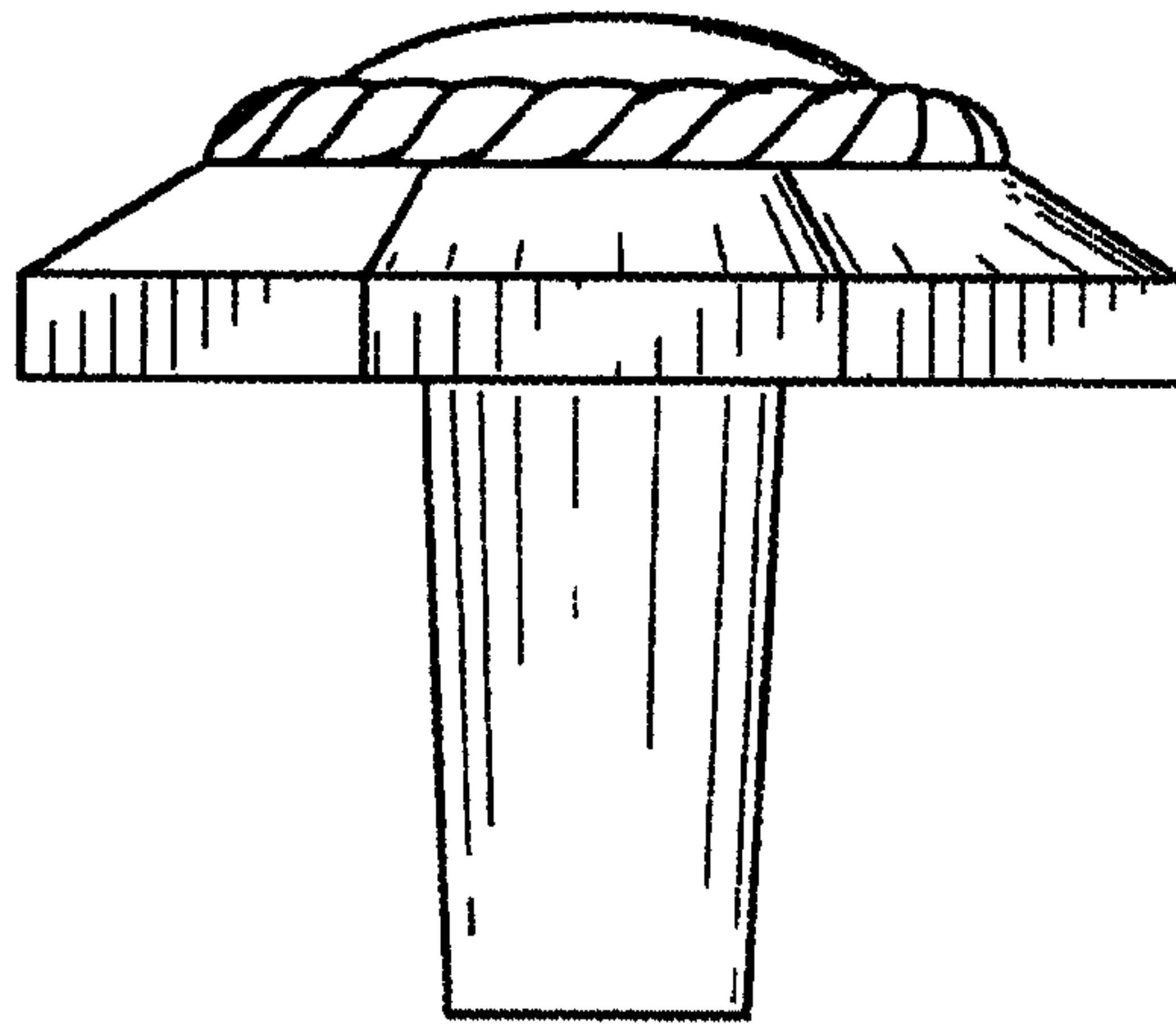


FIG. 6

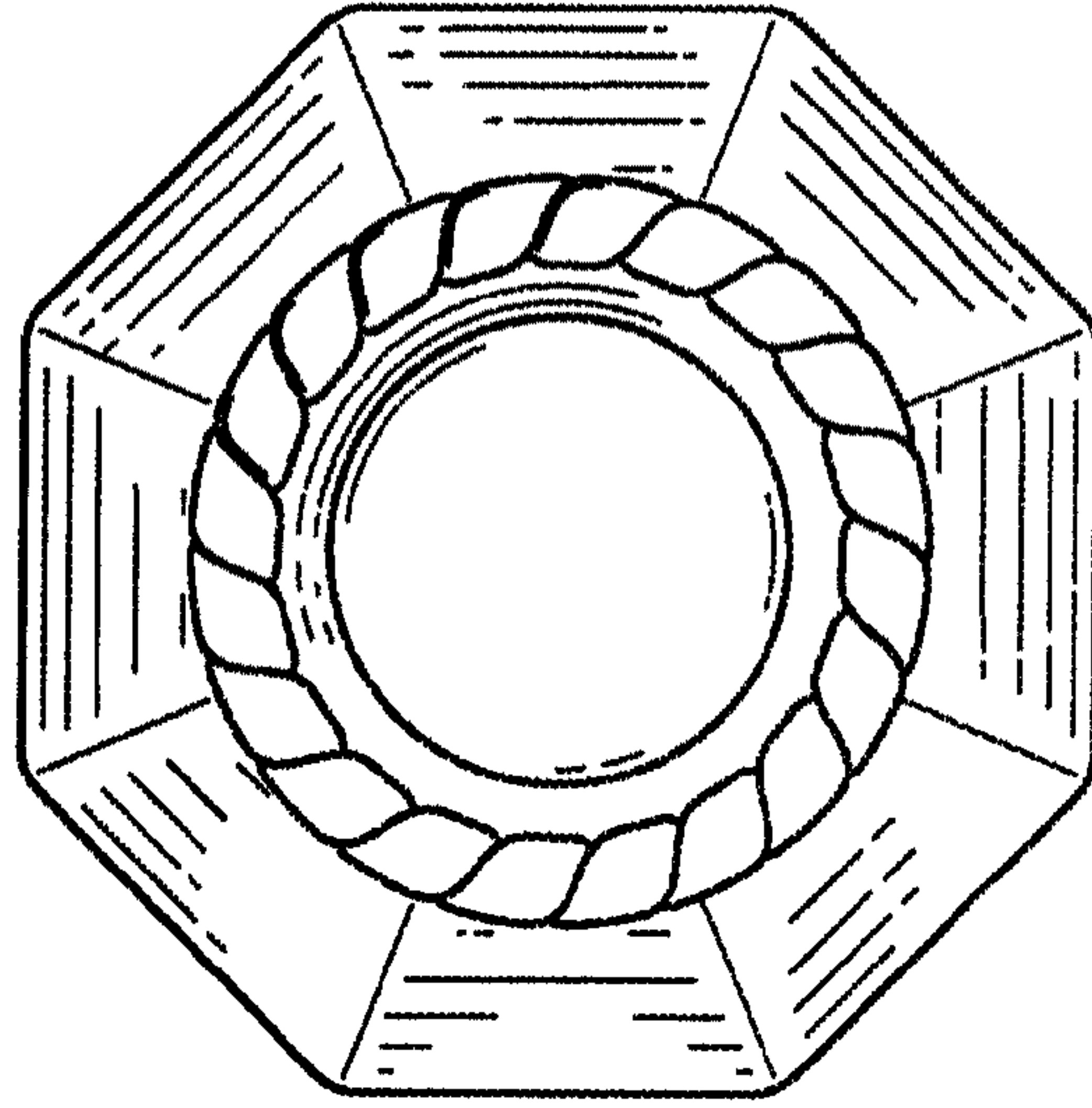


FIG. 7