



US00D629277S

(12) **United States Design Patent**  
**Maltzan**

(10) **Patent No.:** **US D629,277 S**

(45) **Date of Patent:** **\*\* Dec. 21, 2010**

(54) **DOOR KNOB**

(75) Inventor: **Michael Maltzan**, Pasadena, CA (US)

(73) Assignee: **Michael Maltzan Architecture**, Los Angeles, CA (US)

(\*\*) Term: **14 Years**

(21) Appl. No.: **29/349,212**

(22) Filed: **Mar. 18, 2010**

(51) **LOC (9) Cl.** ..... **08-06**

(52) **U.S. Cl.** ..... **D8/310**

(58) **Field of Classification Search** ..... D8/300,  
D8/302, 316, 319, 320, DIG. 1, DIG. 2, DIG. 8;  
D7/391, 393, 394; 16/417, 110.1, DIG. 30;  
D23/250, 254; 292/336.3; 220/752  
See application file for complete search history.

(56) **References Cited**

**U.S. PATENT DOCUMENTS**

- 2,796,627 A \* 6/1957 Heyer ..... 16/417
- D206,521 S \* 12/1966 Bottom ..... D8/310
- D411,795 S \* 7/1999 O'Neil ..... D8/307
- D445,016 S \* 7/2001 Dewald et al. .... D8/307

- D501,390 S \* 2/2005 Fields ..... D8/310
- D502,381 S \* 3/2005 Fields ..... D8/310
- D568,139 S \* 5/2008 Hanes ..... D8/312
- D582,720 S \* 12/2008 Plichon ..... D7/393
- D587,555 S \* 3/2009 Krumpel et al. .... D8/310
- D590,691 S \* 4/2009 Calatrava Valls ..... D8/305
- D596,916 S \* 7/2009 Calatrava Valls ..... D8/305

\* cited by examiner

*Primary Examiner*—Paula Greene

(74) *Attorney, Agent, or Firm*—William W. Jones

(57) **CLAIM**

I claim the ornamental design for a door knob, as shown and described.

**DESCRIPTION**

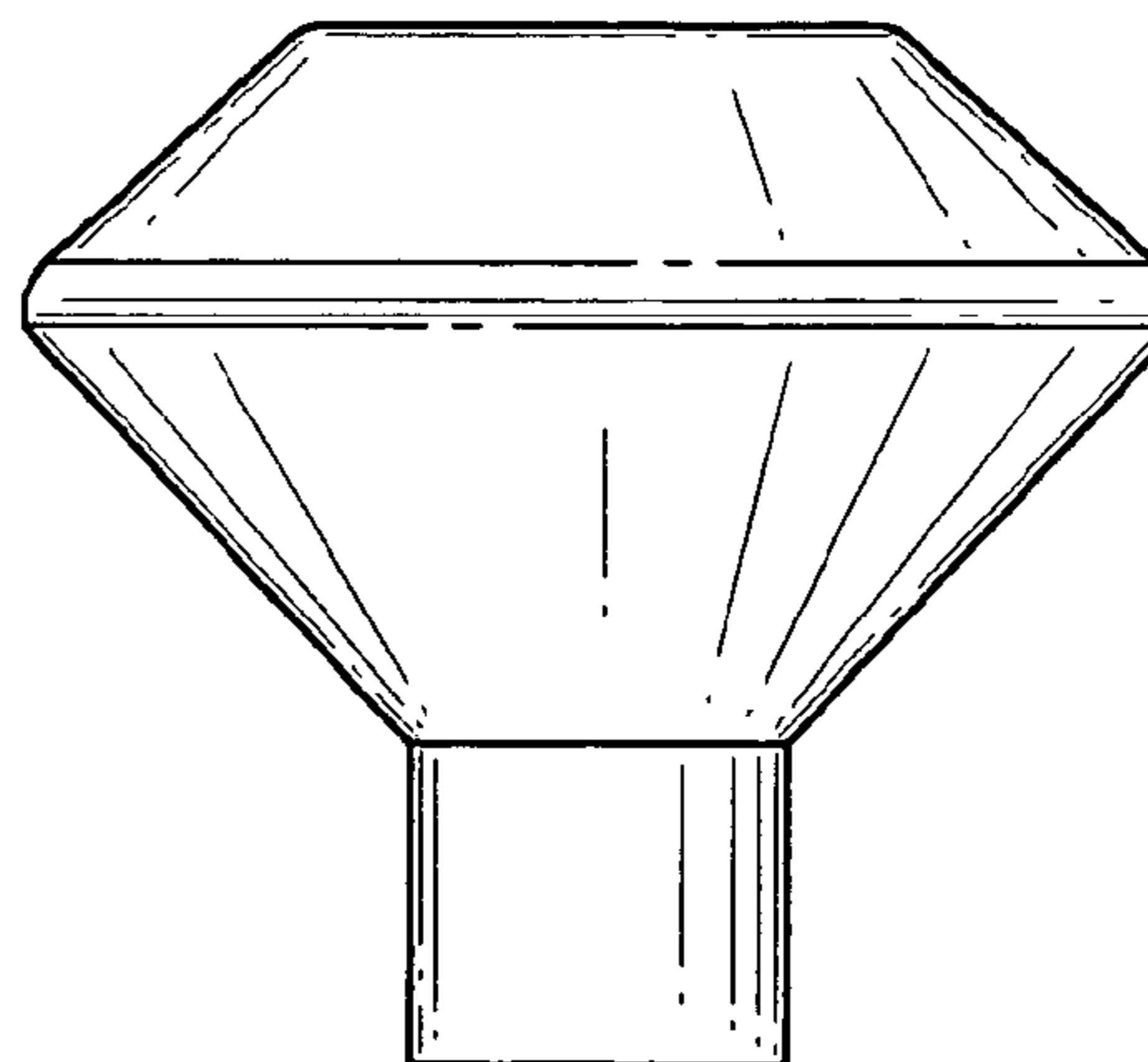
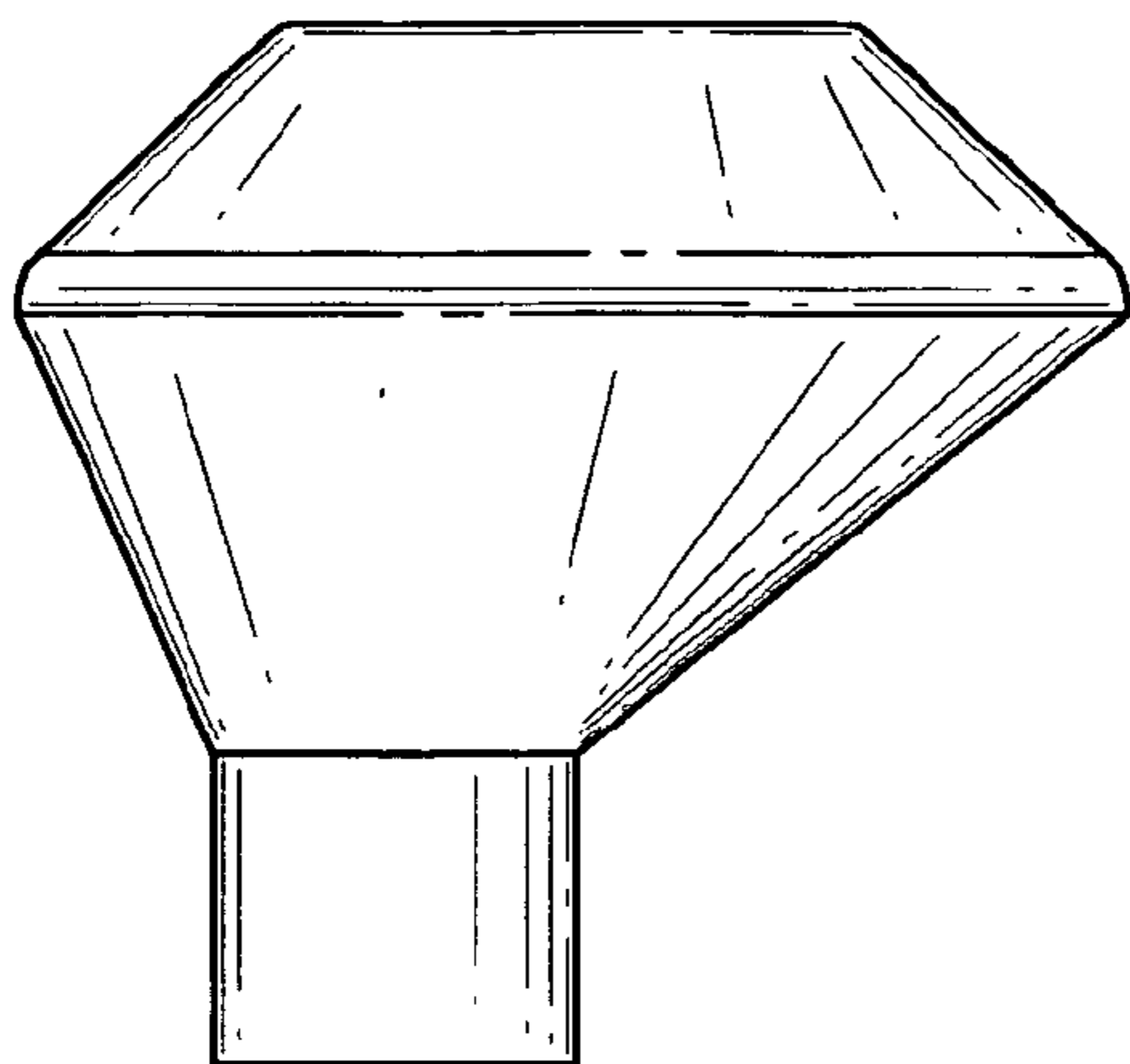
FIG. 1 is a side elevational view of a door knob showing my new design, the opposite side is a mirror image;

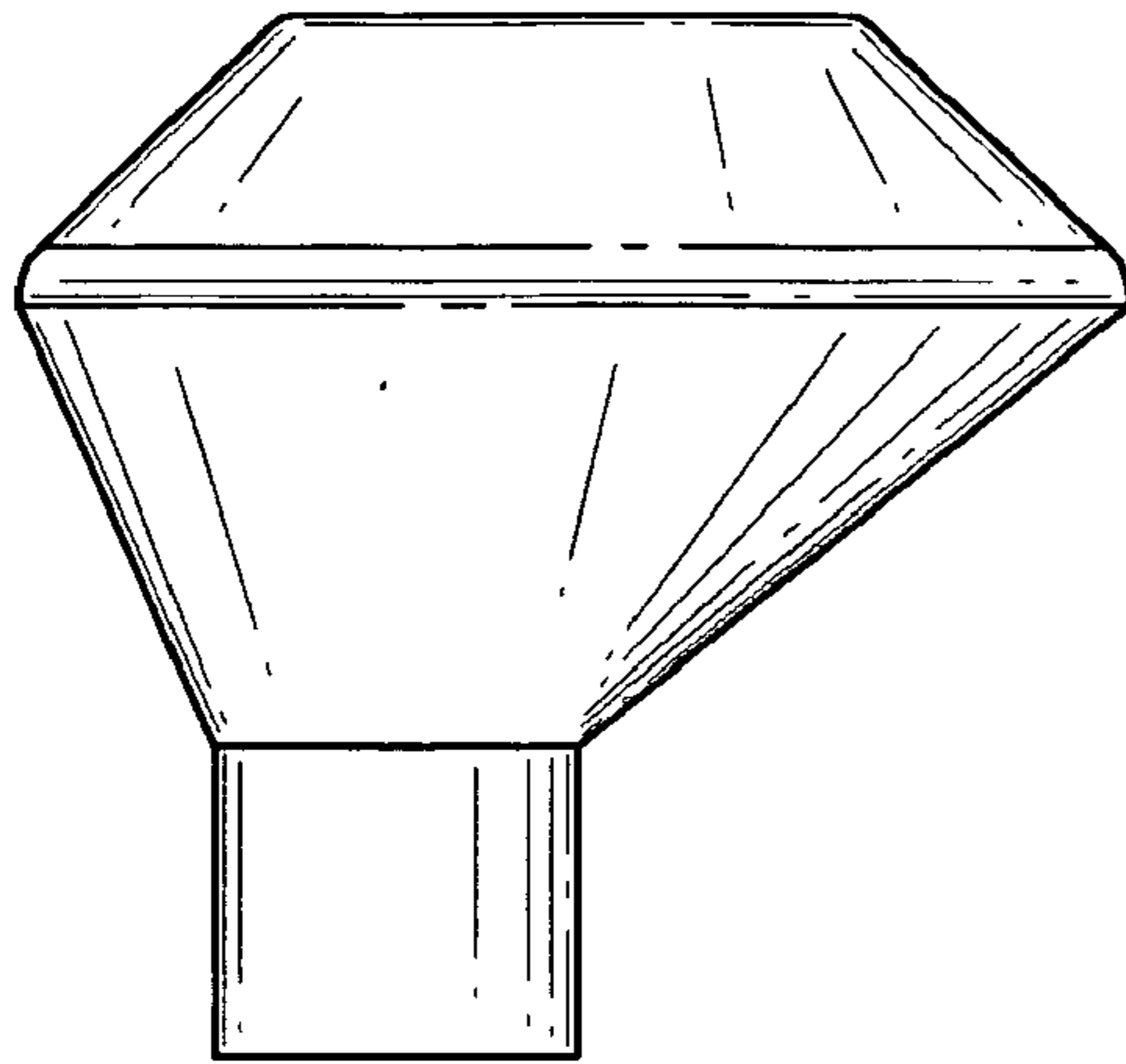
FIG. 2 is a front elevational view thereof;

FIG. 3 is a back elevational view thereof; and,

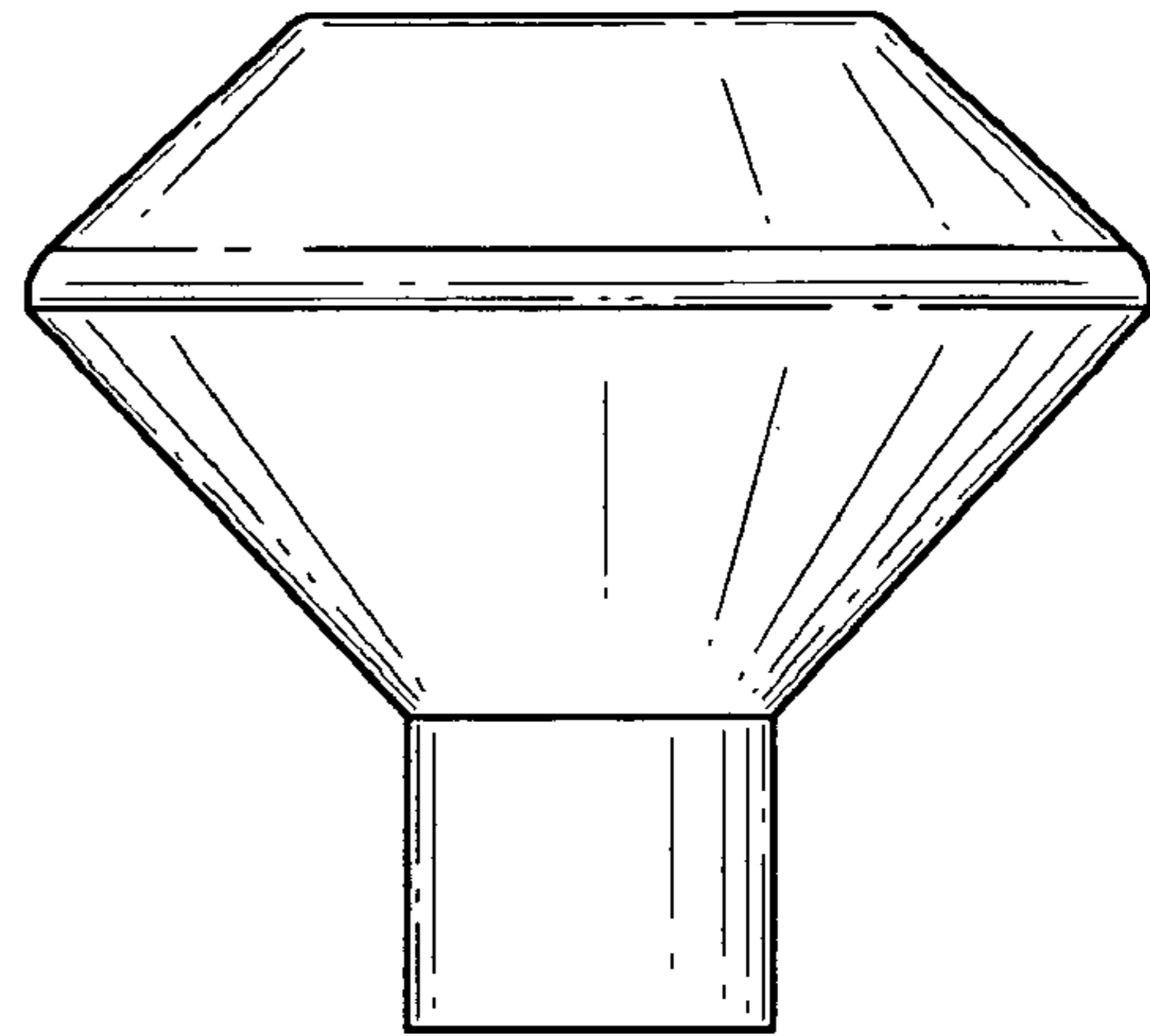
FIG. 4 is a top plan view thereof, the door knob being hollow and having a through passage, the undisclosed bottom is not part of the claimed design.

**1 Claim, 1 Drawing Sheet**

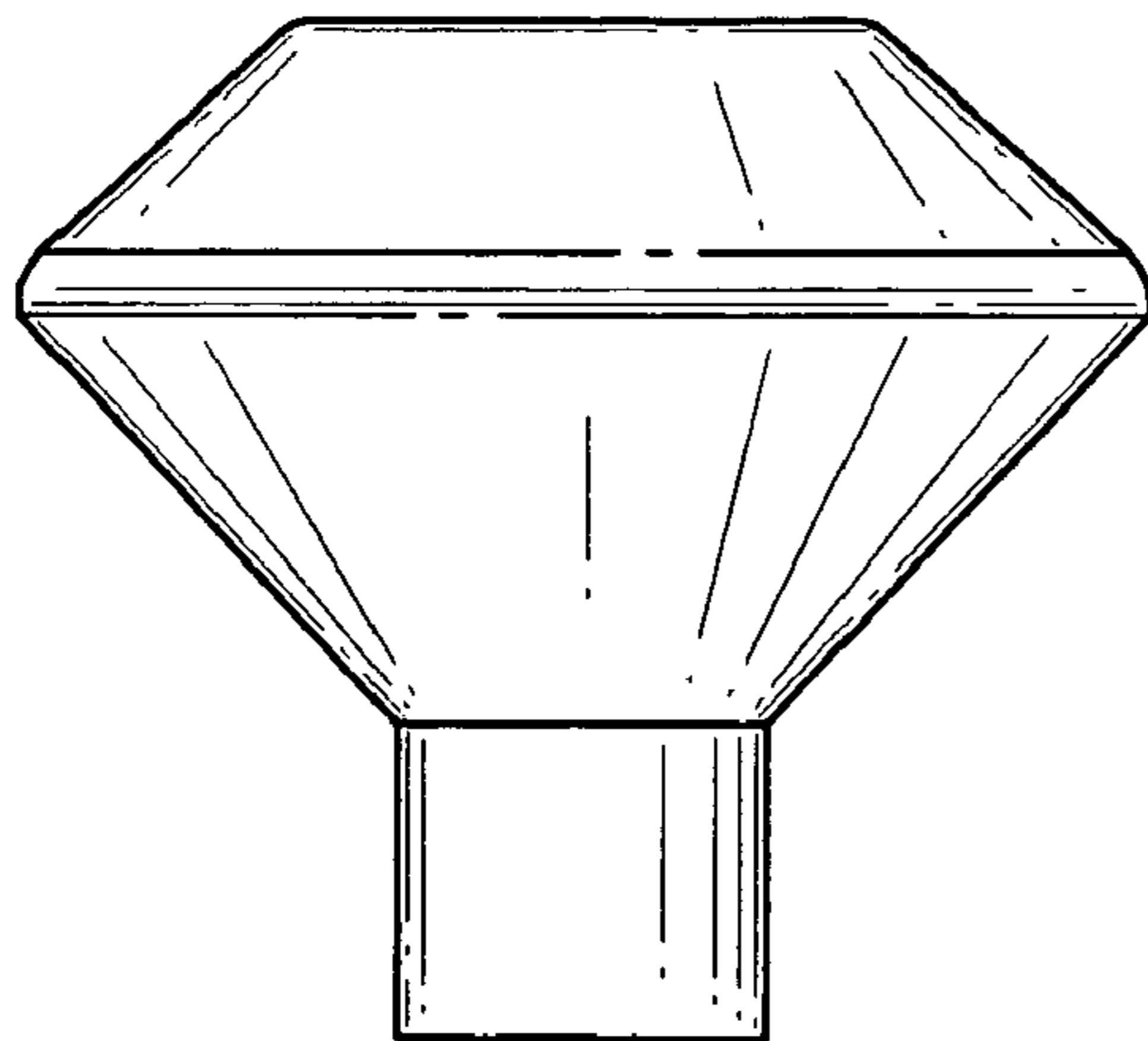




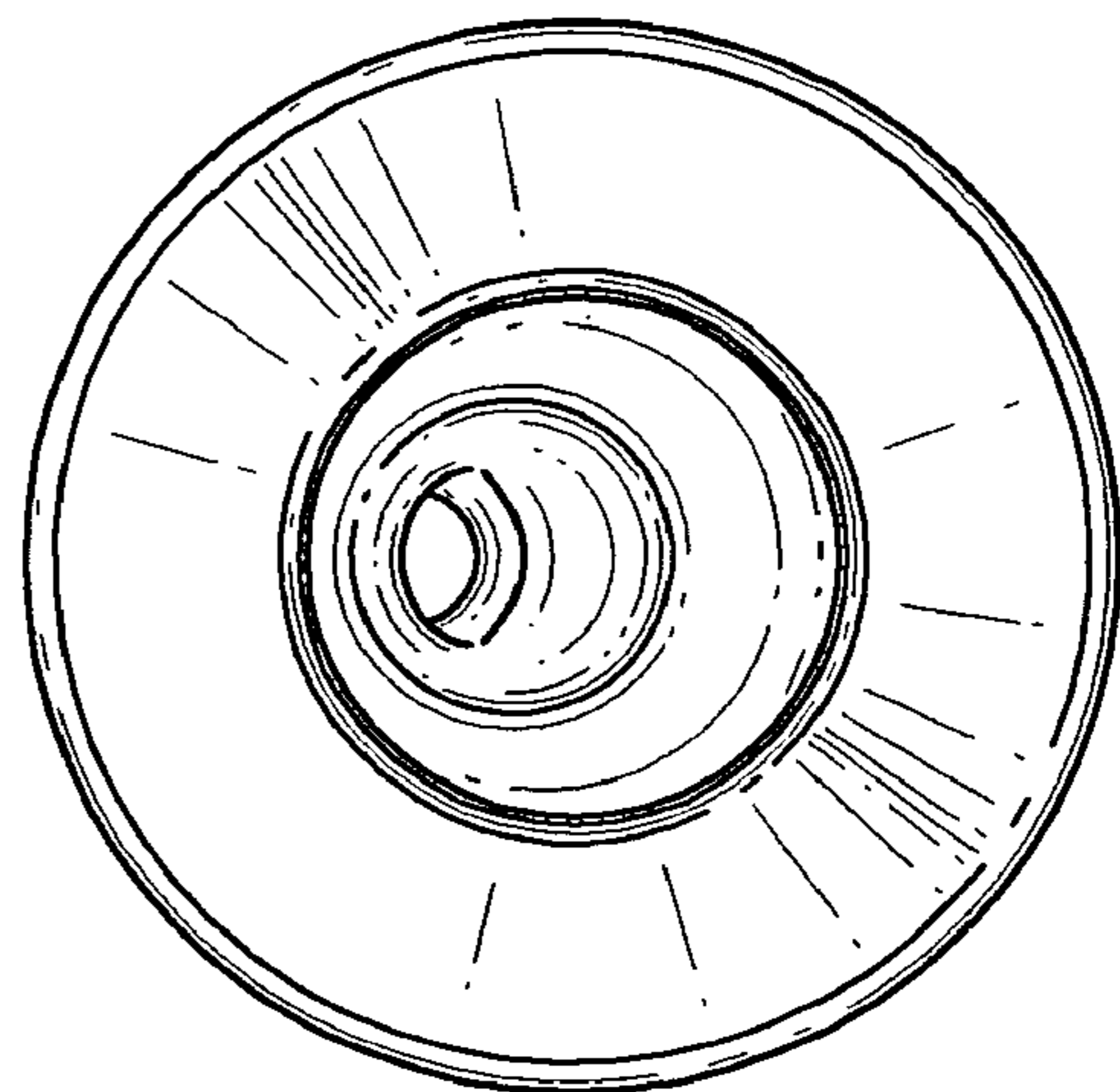
*FIG. 1*



*FIG. 2*



*FIG. 3*



*FIG. 4*